



US00D475423S

(12) **United States Design Patent**
Chrystal

(10) **Patent No.:** **US D475,423 S**

(45) **Date of Patent:** **** Jun. 3, 2003**

(54) **TRAINING DEVICE**

(76) **Inventor:** **W. Jeff Chrystal**, 1231 Cobblestone
La., Portage, MI (US) 49024

(**) **Term:** **14 Years**

(21) **Appl. No.:** **29/164,450**

(22) **Filed:** **Jul. 24, 2002**

(51) **LOC (7) Cl.** **21-02**

(52) **U.S. Cl.** **D21/684; D21/662**

(58) **Field of Search** D21/662, 679,
D21/684, 692, 694; 482/91, 93, 99, 44,
121, 122, 125, 126, 139

(56) **References Cited**

U.S. PATENT DOCUMENTS

- D232,368 S * 8/1974 Shales D21/692
- D276,835 S * 12/1984 Killen D21/679
- D301,271 S * 5/1989 Greenfeld et al. D21/692
- D320,054 S * 9/1991 Yanazaki D21/692

- D365,374 S * 12/1995 Ando D21/684
- 5,596,136 A * 1/1997 Flagan et al. 482/126

* cited by examiner

Primary Examiner—Philip S. Hyder

(74) *Attorney, Agent, or Firm*—Flynn, Thiel, Boutell &
Tanis, P.C.

(57) **CLAIM**

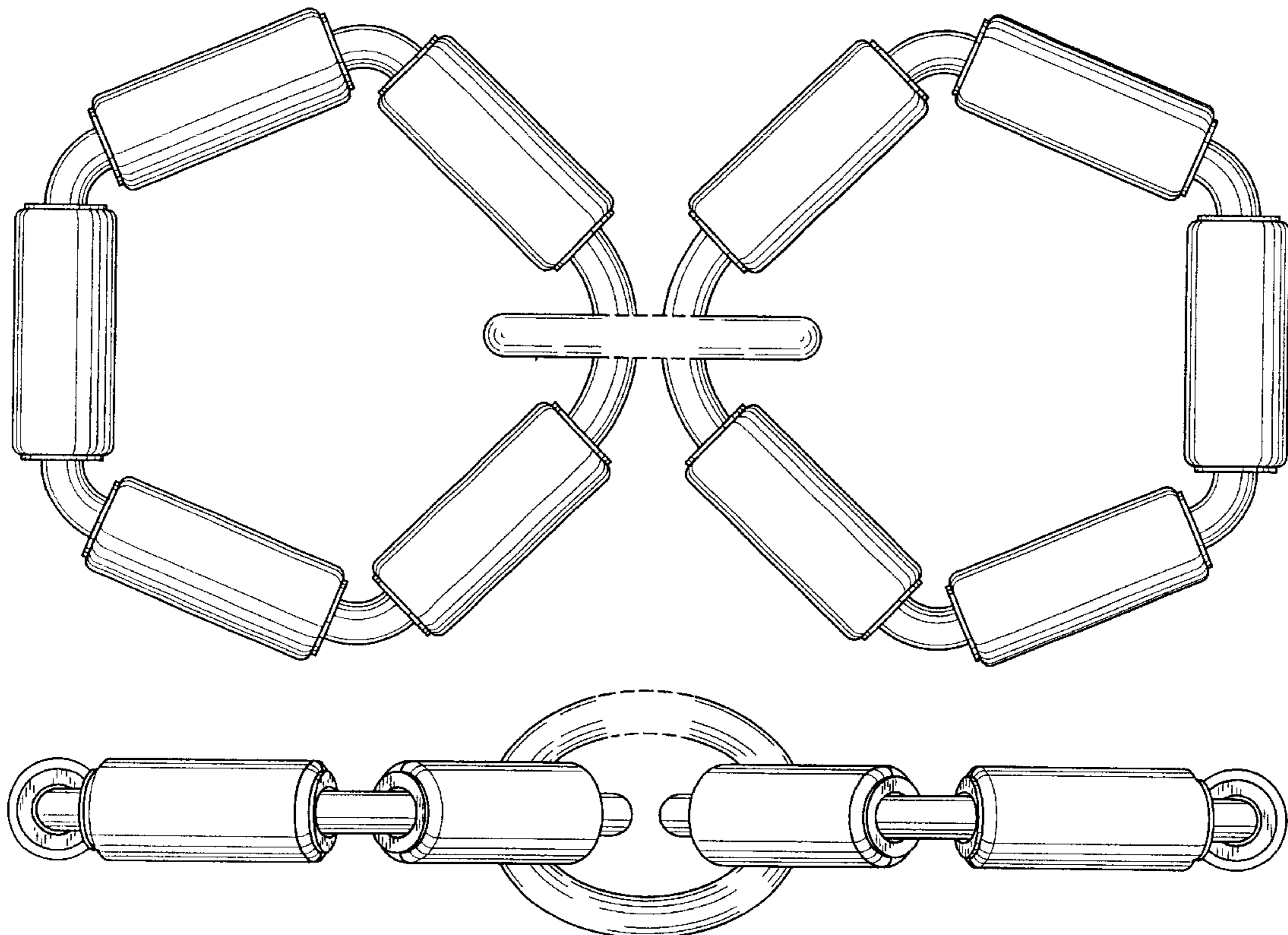
The ornamental design for a training device, as shown and described.

DESCRIPTION

FIG. 1 is a top plan view of a training device embodying my new design, the bottom view being identical thereto; FIG. 2 is a front edge view thereof, the rear edge view being identical thereto; and, FIG. 3 is a left edge view thereof, the right edge view being identical thereto.

The broken lines in each of the figures is to designate a band connection feature not forming a part of the overall design.

1 Claim, 2 Drawing Sheets



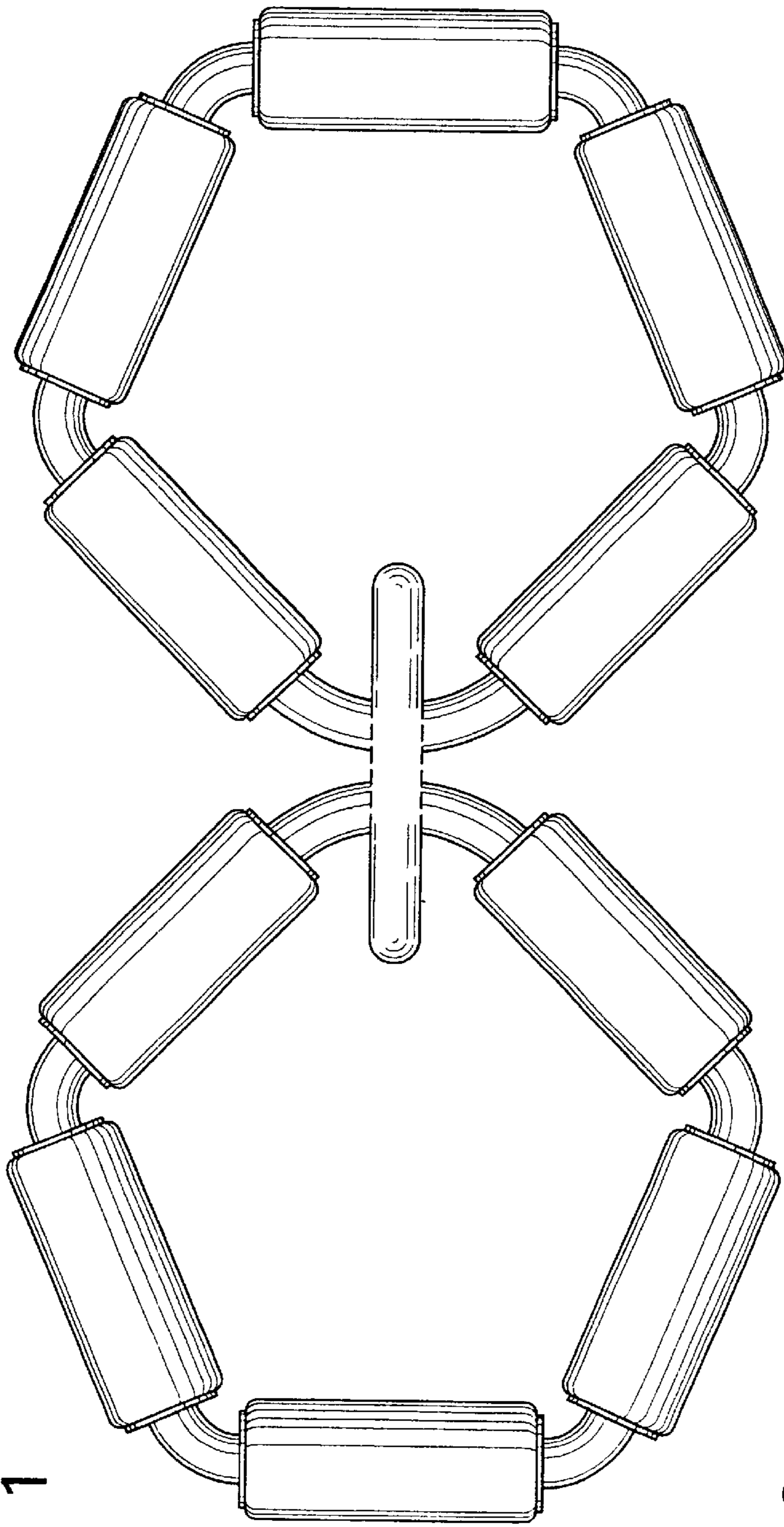


FIG. 1

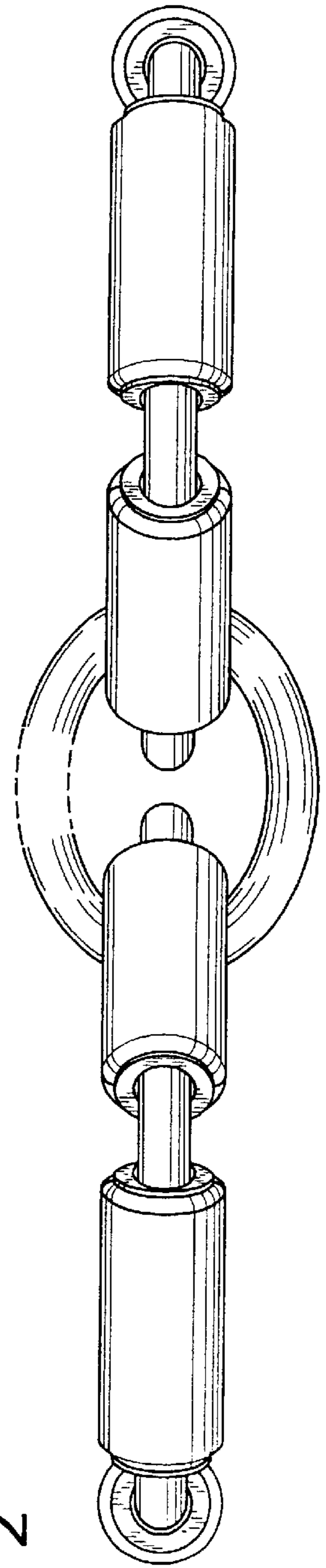


FIG. 2

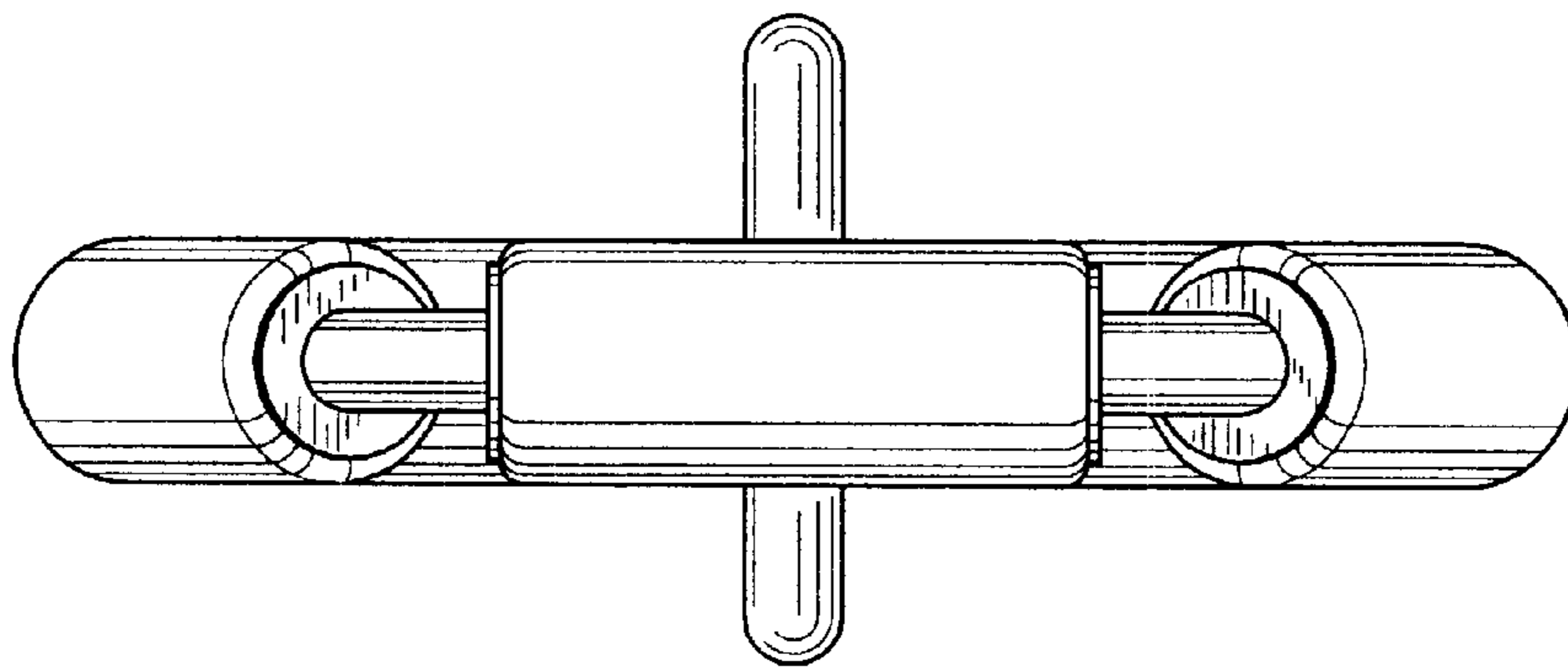


FIG. 3