



US00D475417S

(12) **United States Design Patent**
Wintersteiger

(10) **Patent No.:** **US D475,417 S**

(45) **Date of Patent:** **** Jun. 3, 2003**

(54) **HOUSING FOR A HAND-HELD TERMINAL**

(75) **Inventor:** **Hans-Peter Wintersteiger, Hagenberg (AT)**

(73) **Assignee:** **KEBA AG, Linz (AT)**

(**) **Term:** **14 Years**

(21) **Appl. No.:** **29/145,190**

(22) **Filed:** **Jul. 17, 2001**

(30) **Foreign Application Priority Data**

Jan. 17, 2001 (AT) MU 283/2001

(51) **LOC (7) Cl.** **21-01**

(52) **U.S. Cl.** **D21/329; D14/432**

(58) **Field of Search** D14/346, 347, D14/401, 426, 432, 439, 454; D21/329, 324, 331, 333; 463/1, 2, 29-35, 46, 47; 345/156, 5, 161, 905

(56) **References Cited**

U.S. PATENT DOCUMENTS

D299,235 S * 1/1989 Feger et al. D14/347
D325,225 S * 4/1992 Adhida D14/401

D392,282 S * 3/1998 Ahearn et al. D14/346
D397,368 S * 8/1998 Rissman D21/329
D397,369 S * 8/1998 Rissman D21/329
D449,347 S * 10/2001 Christianson D21/329
D452,280 S * 12/2001 Ota et al. D21/329
D460,121 S * 7/2002 Furusato D21/329

* cited by examiner

Primary Examiner—Kay H. Chin

(74) *Attorney, Agent, or Firm*—Collard & Roe, P.C.

(57) **CLAIM**

The ornamental design for a housing for a hand-held terminal, as shown and described.

DESCRIPTION

FIG. 1 is a top perspective view of a housing for a hand-held terminal showing my new design;
FIG. 2 is a front elevation view thereof;
FIG. 3 is a rear elevation view thereof;
FIG. 4 is a left side elevation view thereof;
FIG. 5 is a right side elevation view thereof;
FIG. 6 is a top plan view thereof; and,
FIG. 7 is a bottom plan view thereof.

1 Claim, 4 Drawing Sheets

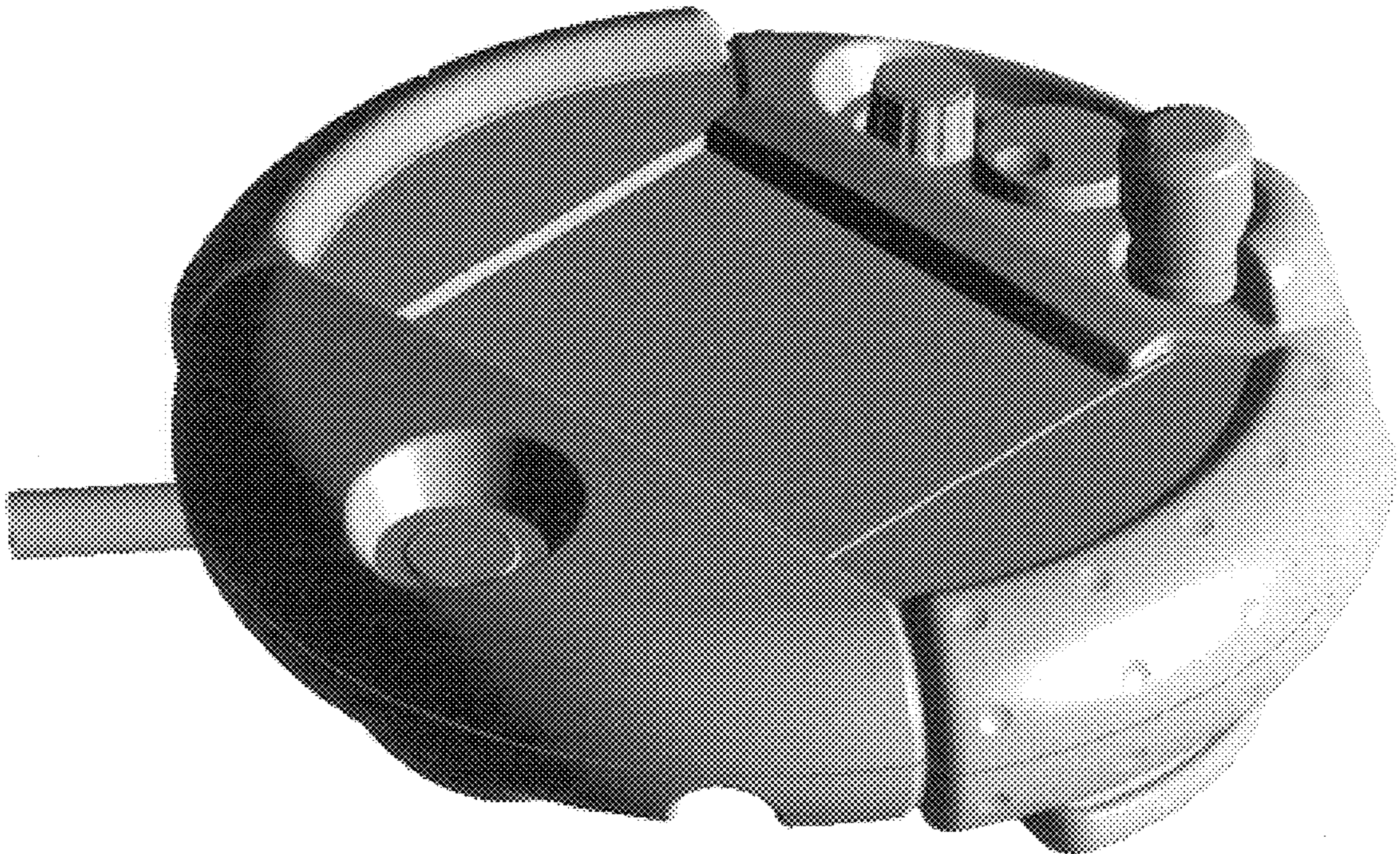


Fig. 1

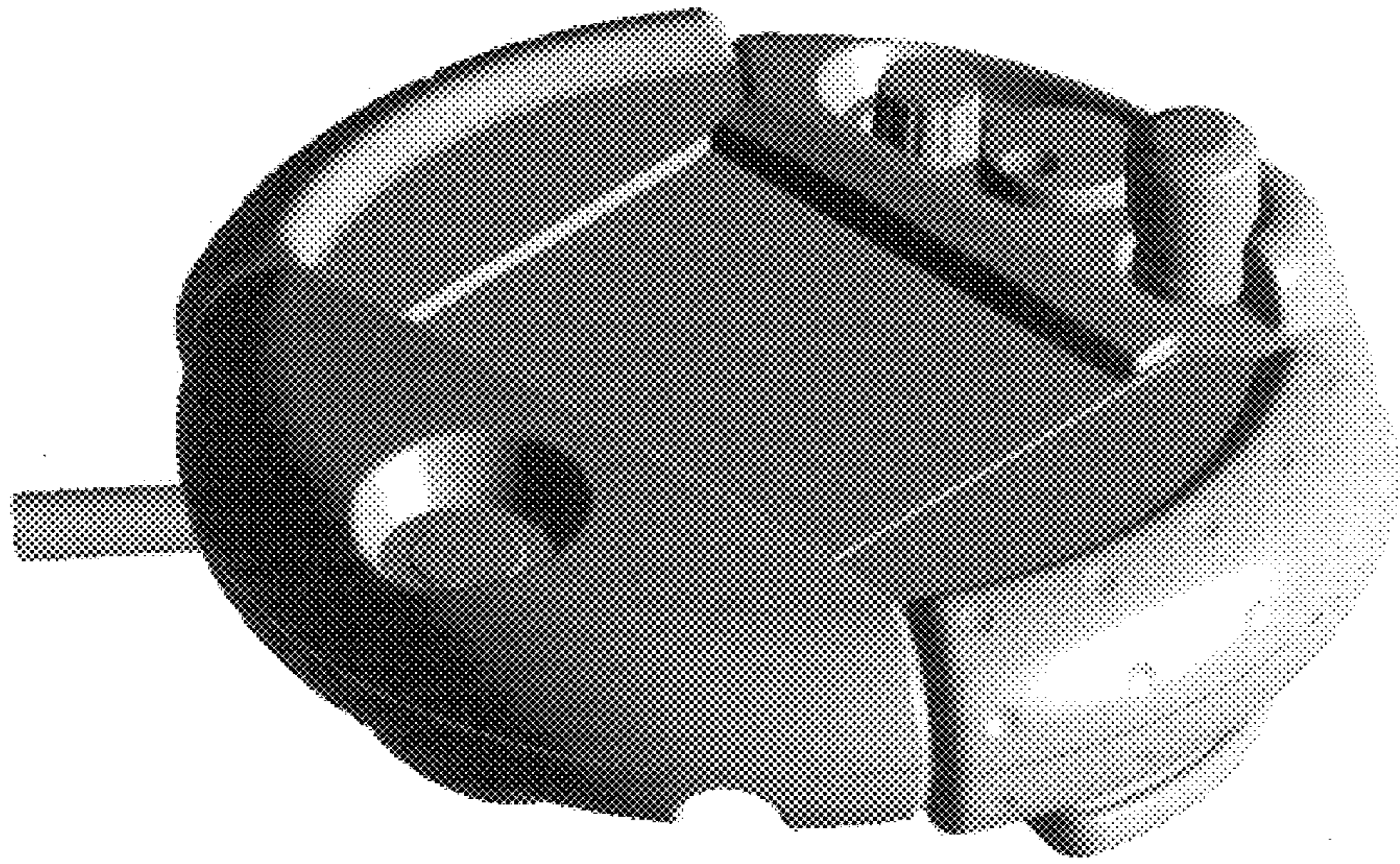


Fig. 2

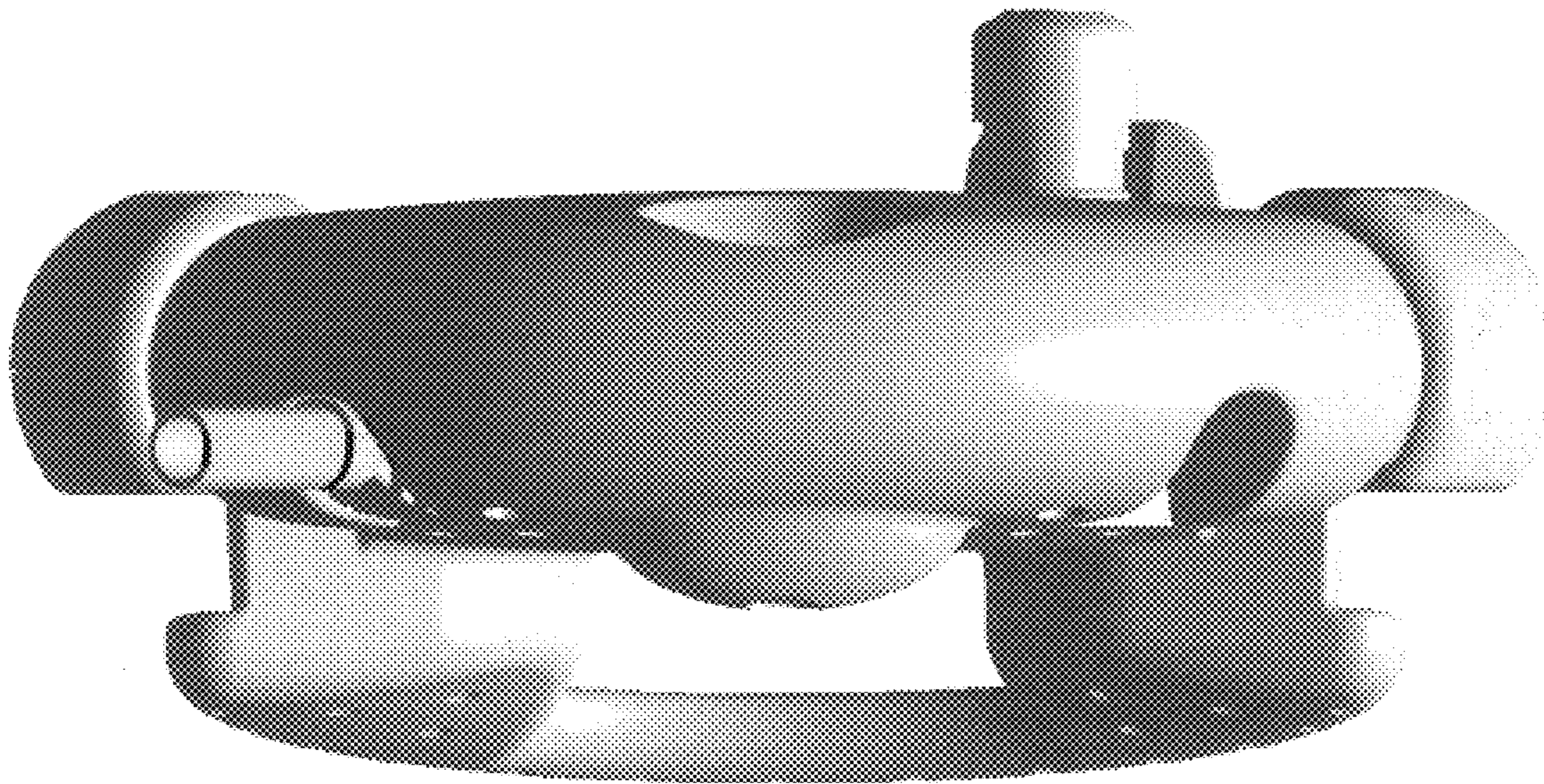


Fig. 3

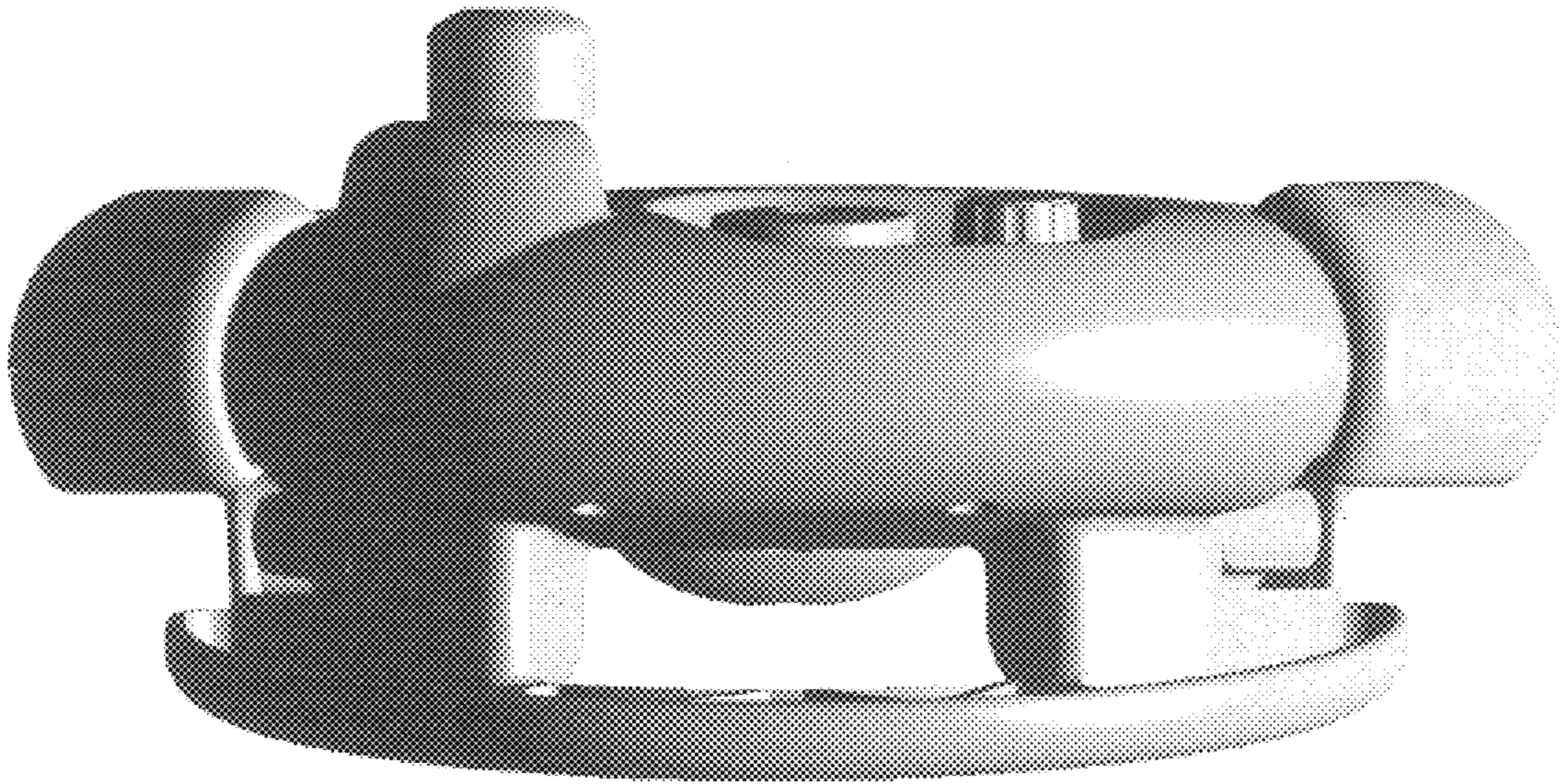


Fig. 4

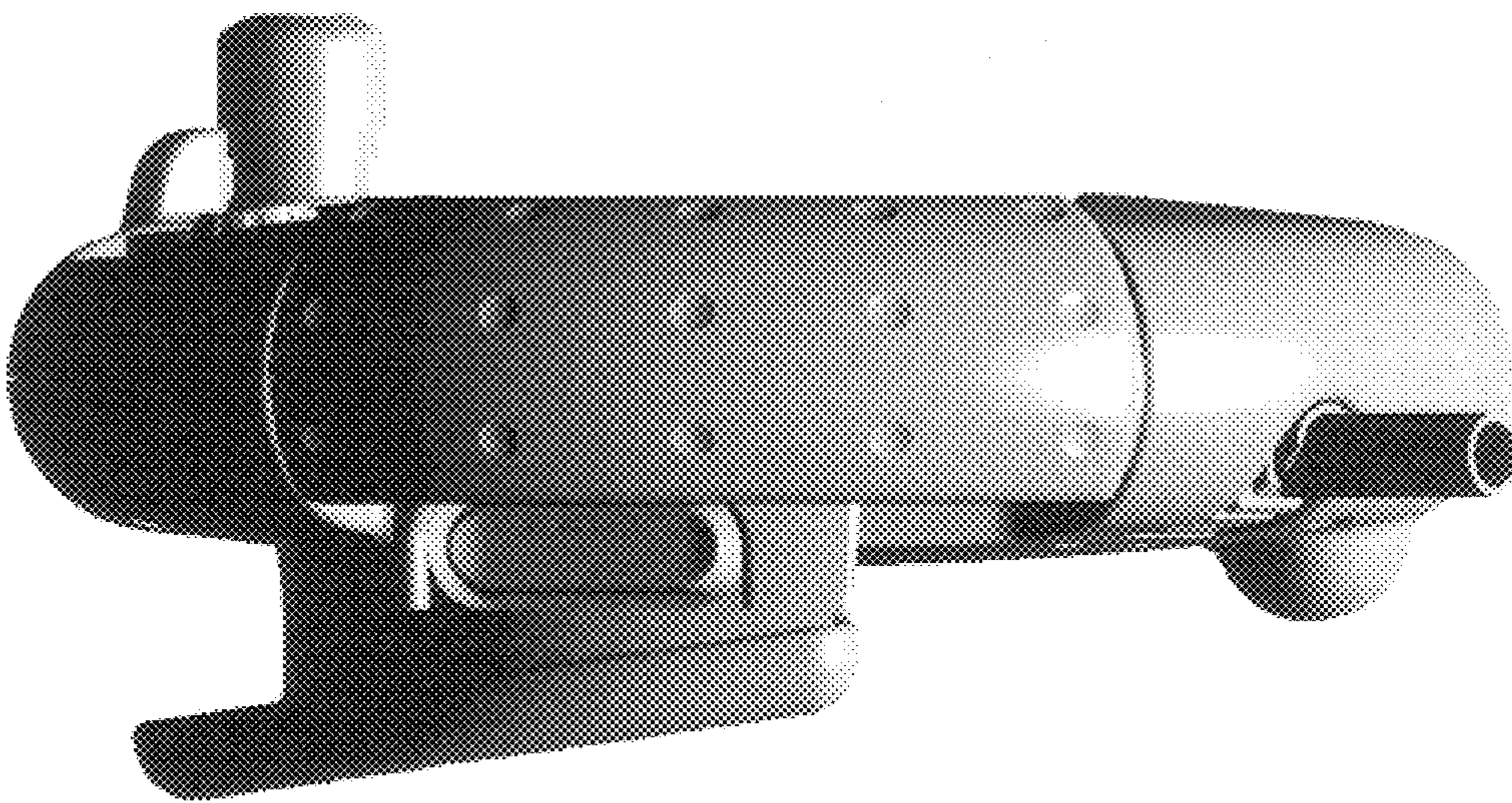


Fig. 5

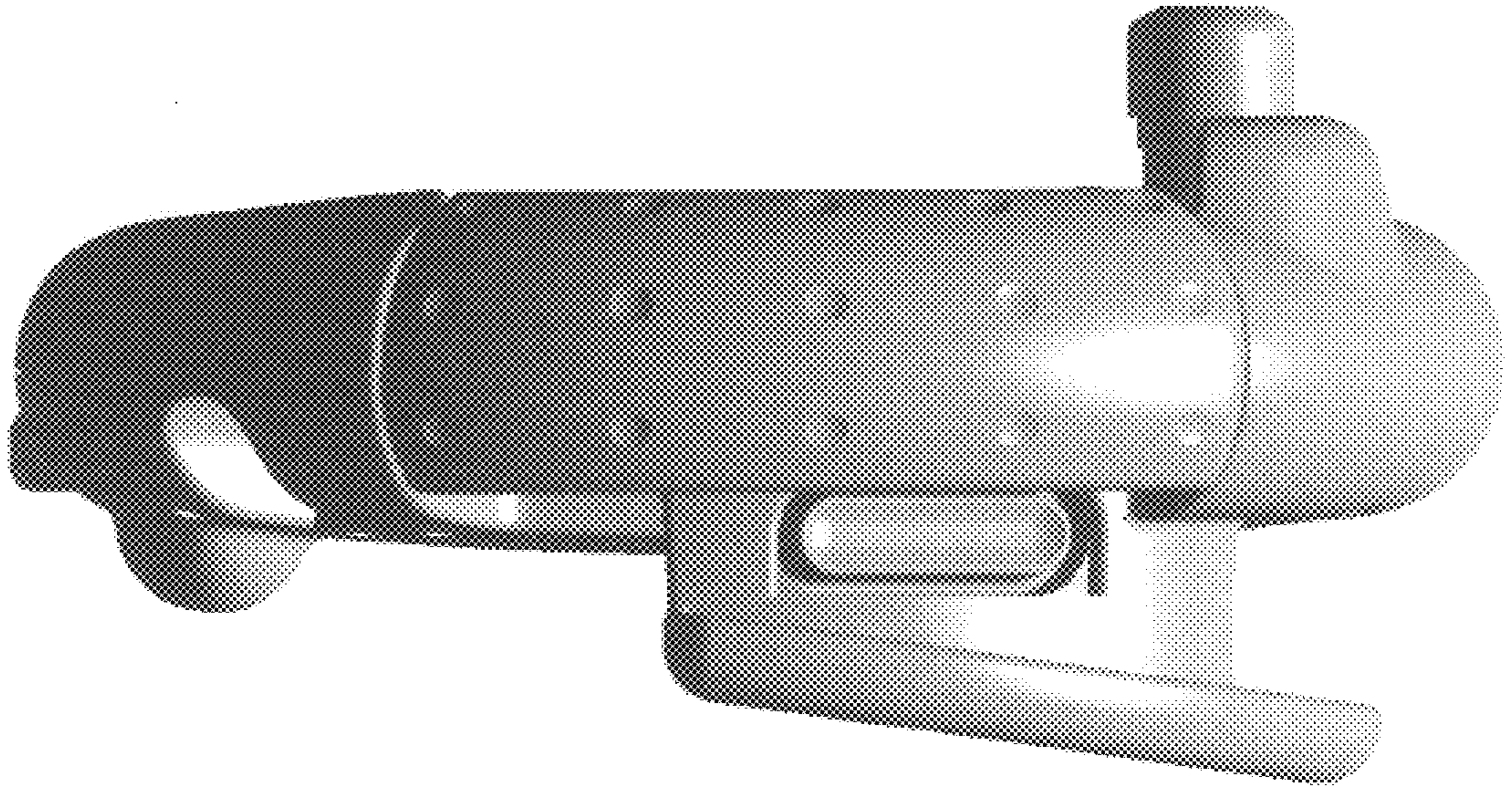


Fig. 6

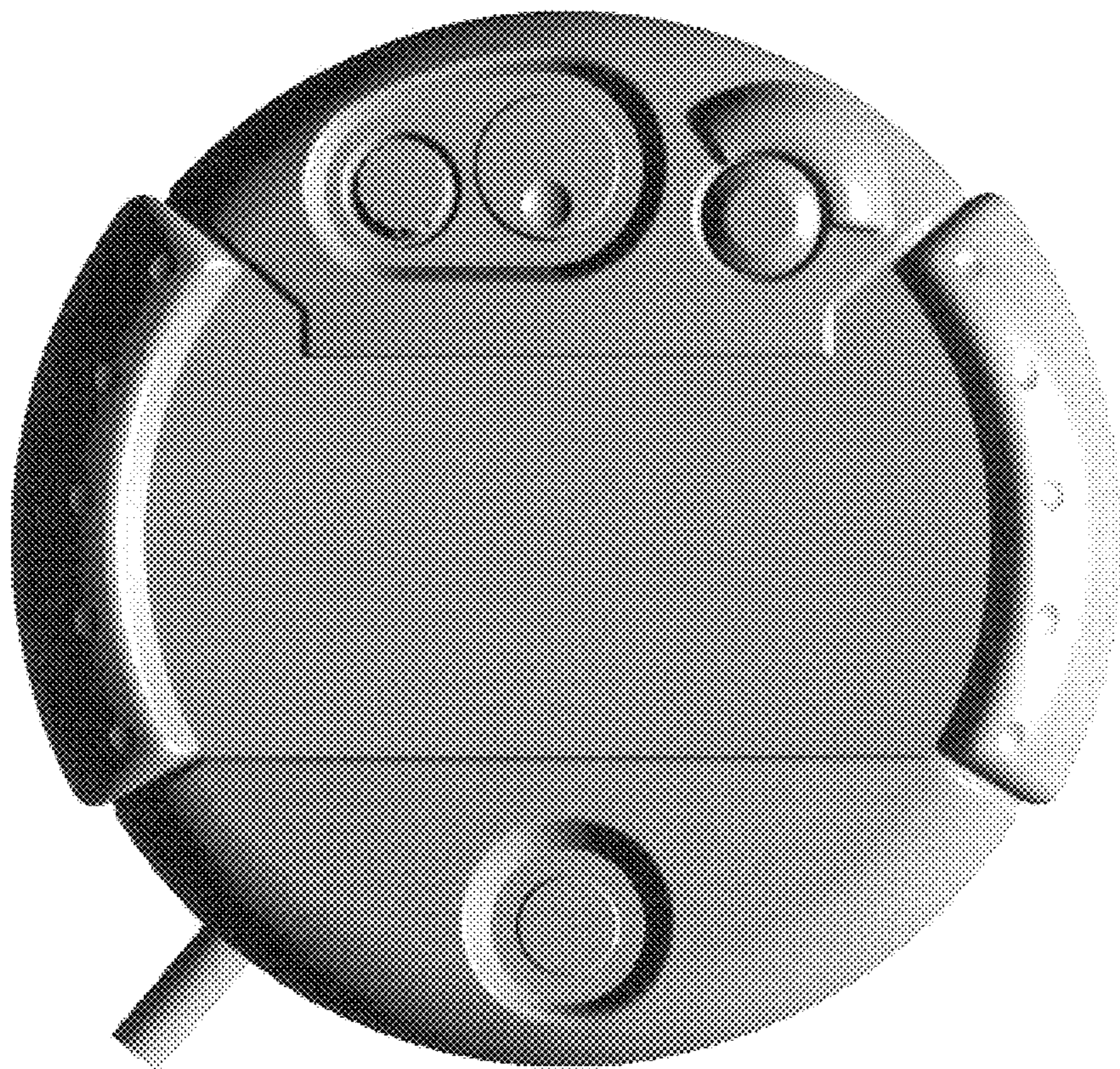


Fig. 7

