



US00D475413S

(12) **United States Design Patent**
Castleberry

(10) **Patent No.:** **US D475,413 S**

(45) **Date of Patent:** **** Jun. 3, 2003**

(54) **SNACK DISPENSER**

(75) **Inventor:** **Billy J. Castleberry**, Lubbock County,
TX (US)

(73) **Assignee:** **Newco Enterprises, Inc.**, St. Charles,
MO (US)

(**) **Term:** **14 Years**

(21) **Appl. No.:** **29/133,897**

(22) **Filed:** **Dec. 11, 2000**

3,779,357 A	12/1973	Haller et al.
3,828,903 A	8/1974	Lavasseur
3,848,718 A	11/1974	Bookout
4,109,774 A	8/1978	Hayashi
4,280,181 A	7/1981	Levasseur
4,301,909 A	11/1981	Snavely
4,534,474 A	8/1985	Ng
4,757,956 A	7/1988	McGuire
D333,681 S *	3/1993	Stern D20/7
D380,319 S *	7/1997	Sica et al. D6/474
D389,673 S *	1/1998	Mulvihill D6/474
D390,380 S *	2/1998	Furnell D6/466 X
6,234,346 B1	5/2001	Castleberry

Related U.S. Application Data

(63) Continuation-in-part of application No. 09/111,333, filed on
Jul. 7, 1998, now Pat. No. 6,234,346.

(51) **LOC (7) Cl.** **20-01**

(52) **U.S. Cl.** **D20/4**

(58) **Field of Search** D6/455, 460-461,
D6/474, 466; D20/1-7; 194/350; 211/11,
126.7, 126.12, 129.1, 130.1, 132.1, 163,
188; 221/92, 123, 130-132, 155

References Cited

U.S. PATENT DOCUMENTS

931,961 A	8/1909	Robinson
D118,294 S *	12/1939	Trojan D6/474
D158,529 S *	5/1950	Tarrson D20/7
3,163,275 A	12/1964	Andrews et al.
3,372,784 A	3/1968	Ross et al.
3,752,287 A	8/1973	Cullum

* cited by examiner

Primary Examiner—Nanda Bondade

(74) *Attorney, Agent, or Firm*—Paul M. Denk

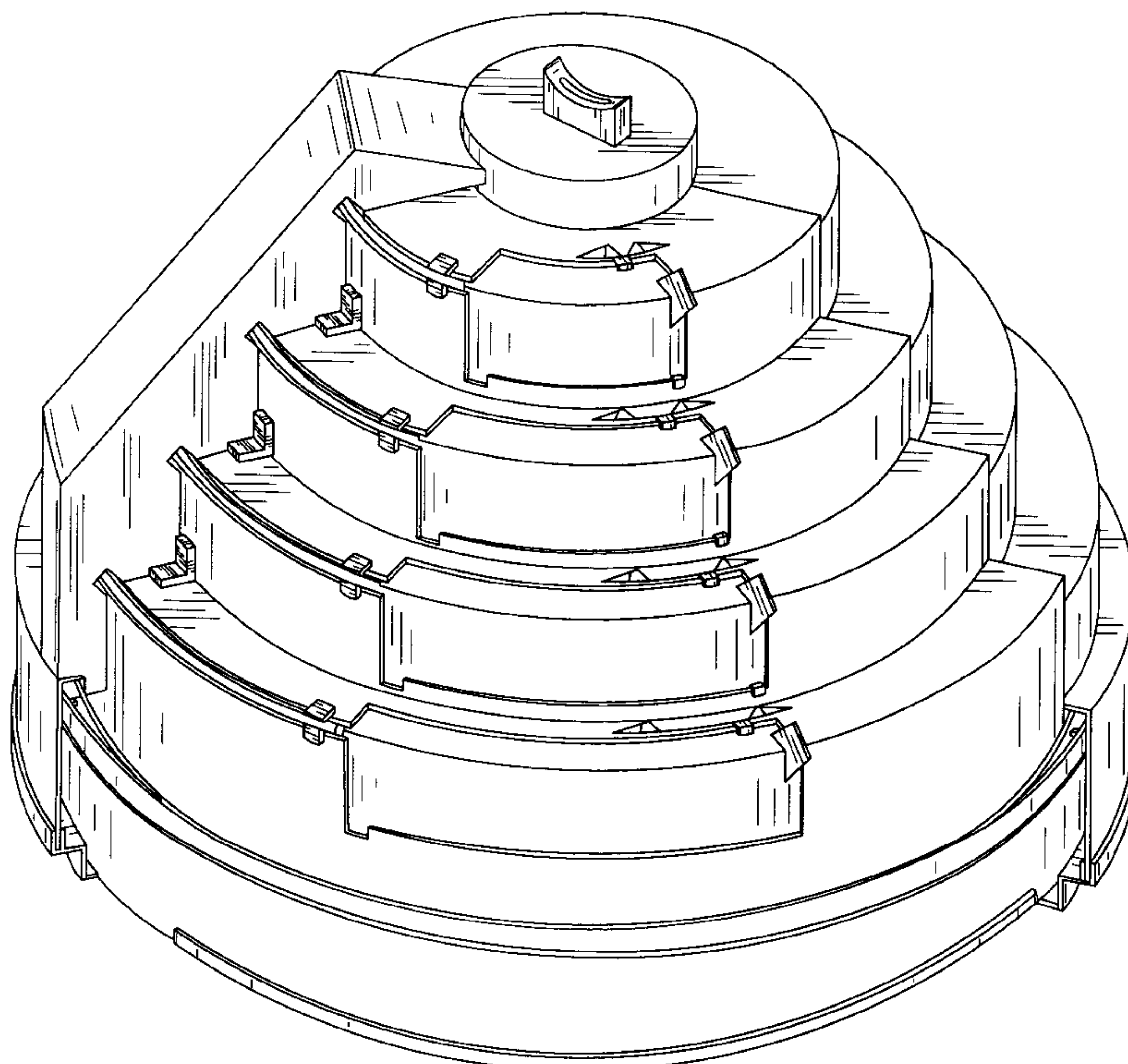
(57) **CLAIM**

The ornamental design for the snack dispenser, as shown and
described.

DESCRIPTION

FIG. 1 is a perspective view of the snack dispenser of this
invention;
FIG. 2 is a top plan view thereof;
FIG. 3 is a bottom view thereof;
FIG. 4 is a back view thereof;
FIG. 5 is a left side view thereof;
FIG. 6 is a front view thereof; and,
FIG. 7 is a right side view thereof.

1 Claim, 7 Drawing Sheets



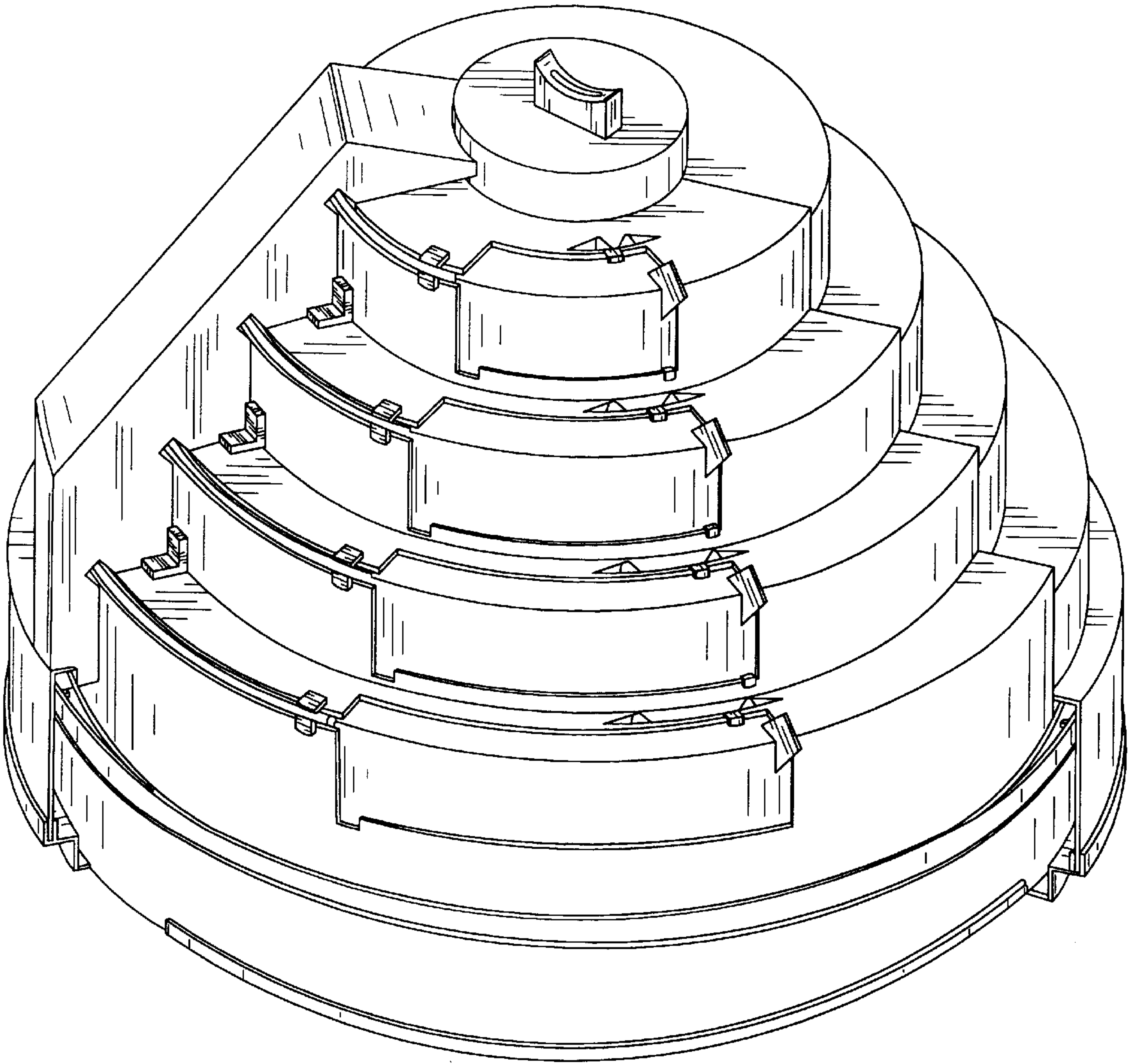


FIG. 1

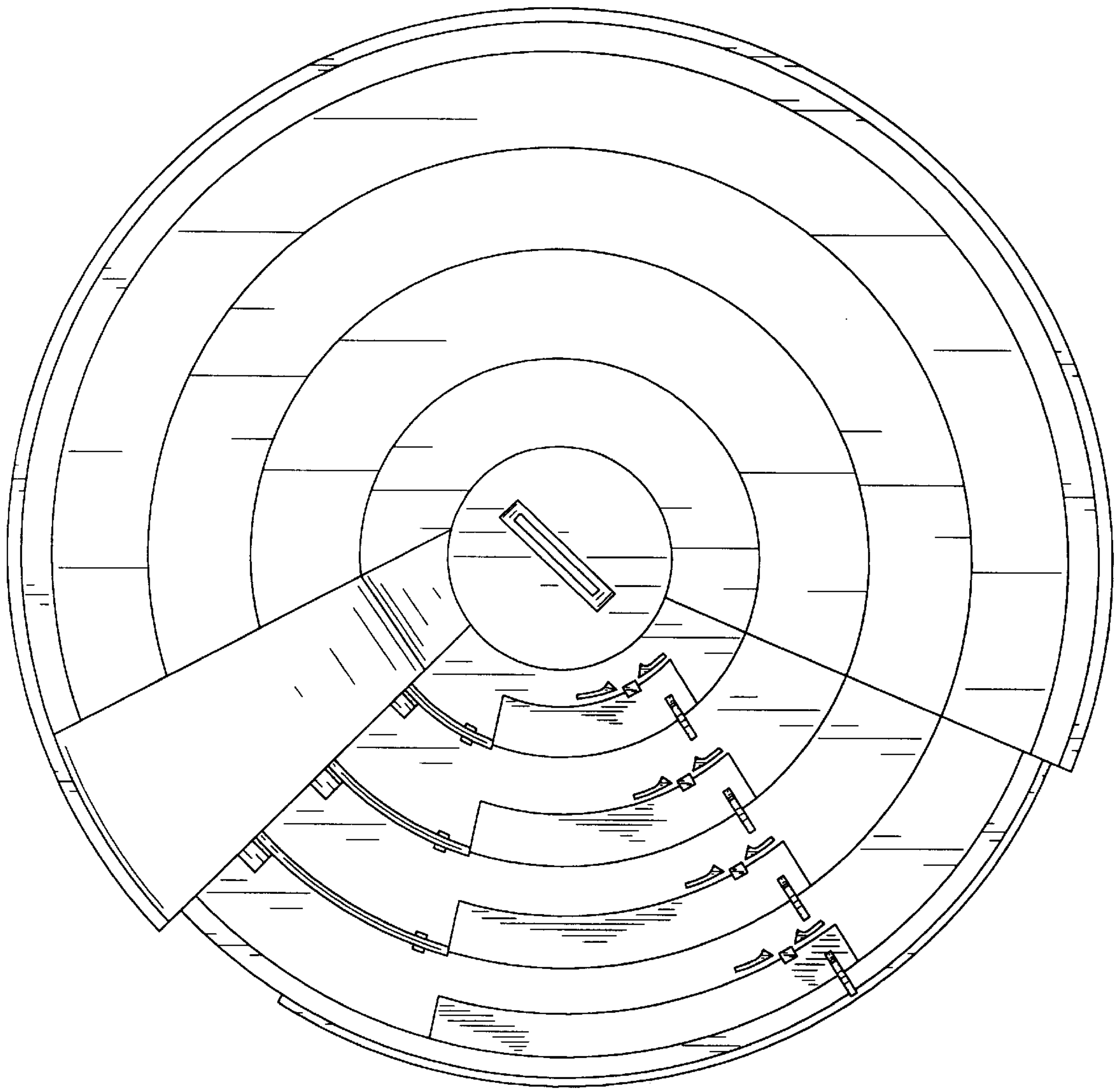


FIG. 2

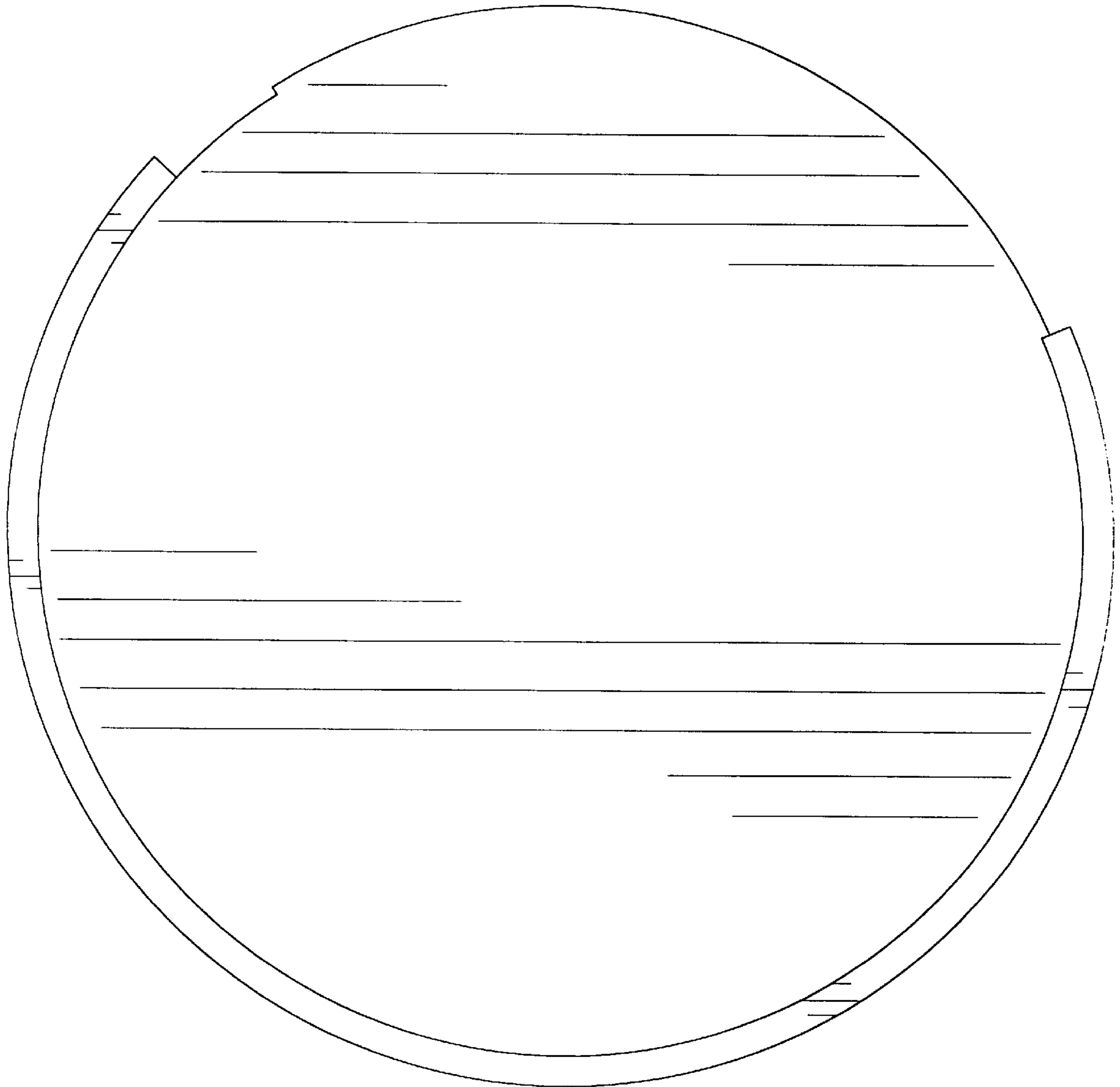


FIG. 3

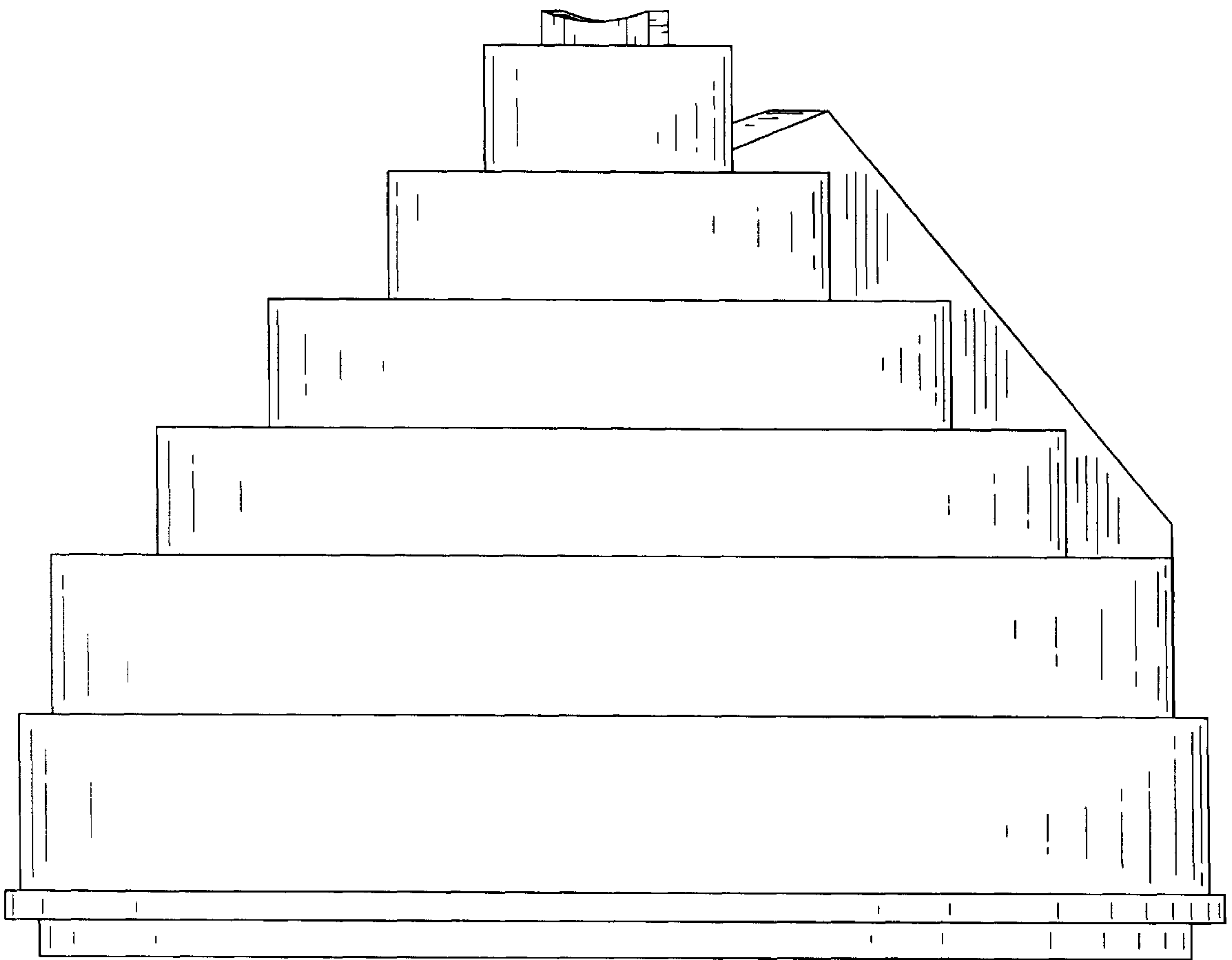


FIG. 4

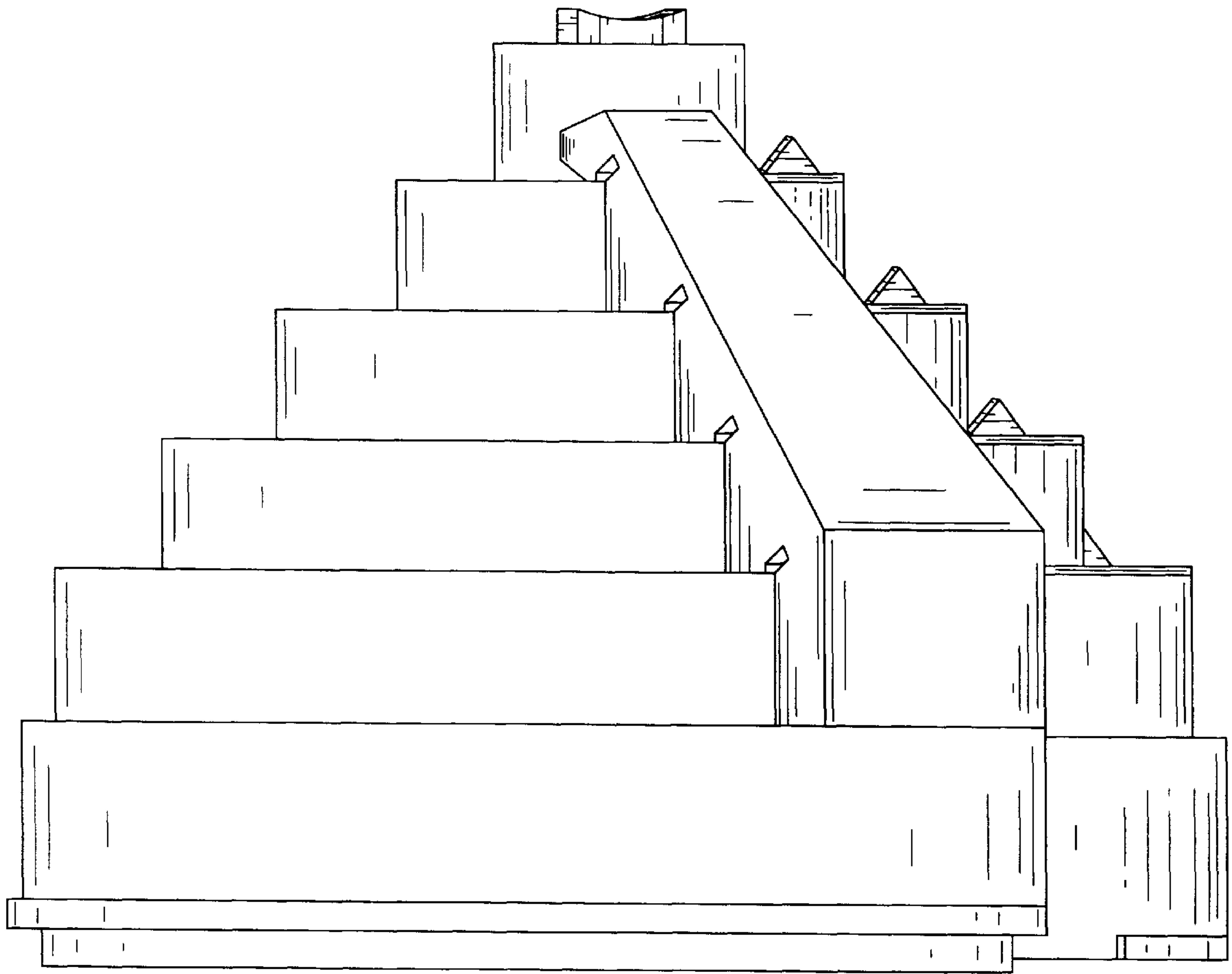


FIG. 5

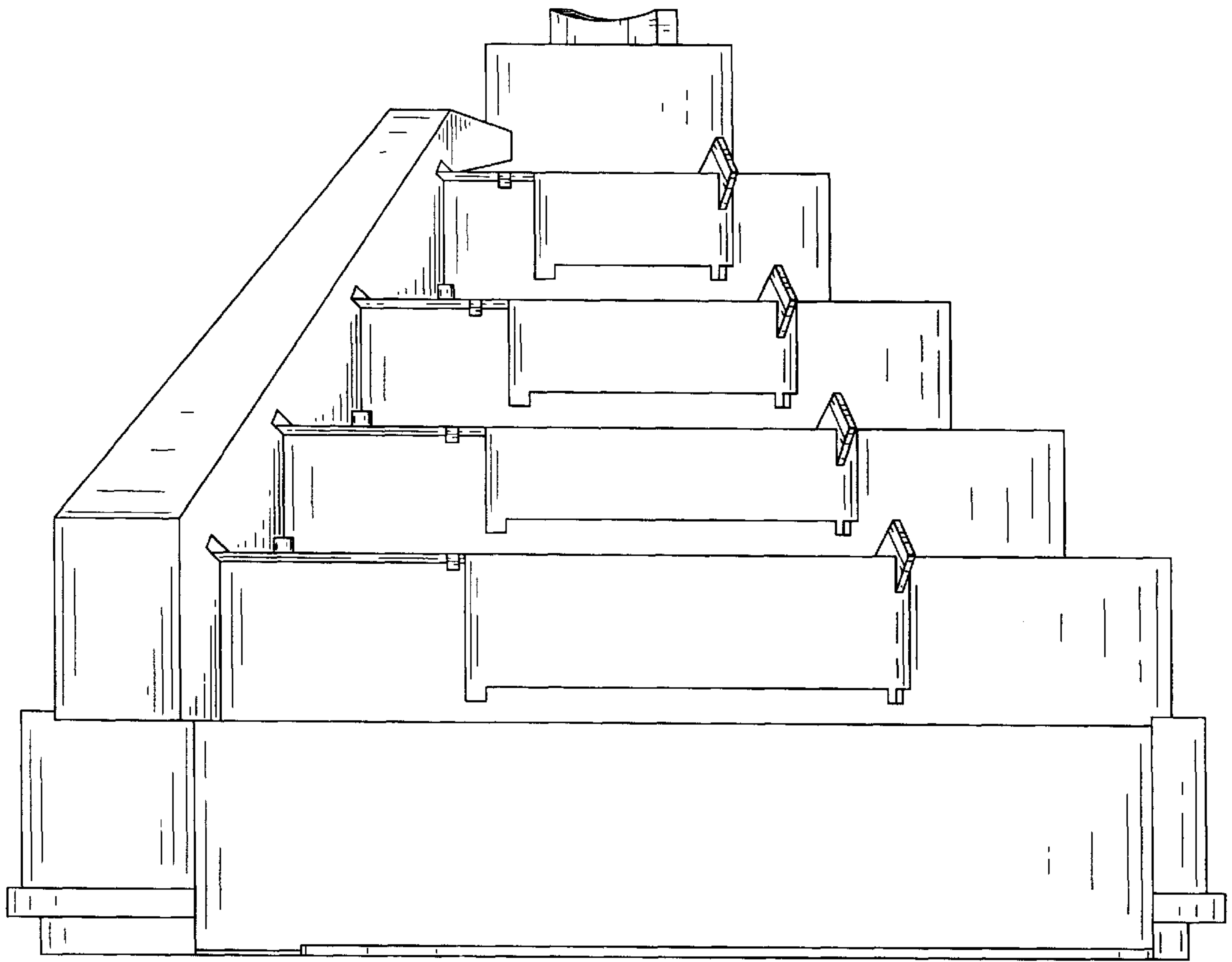


FIG. 6

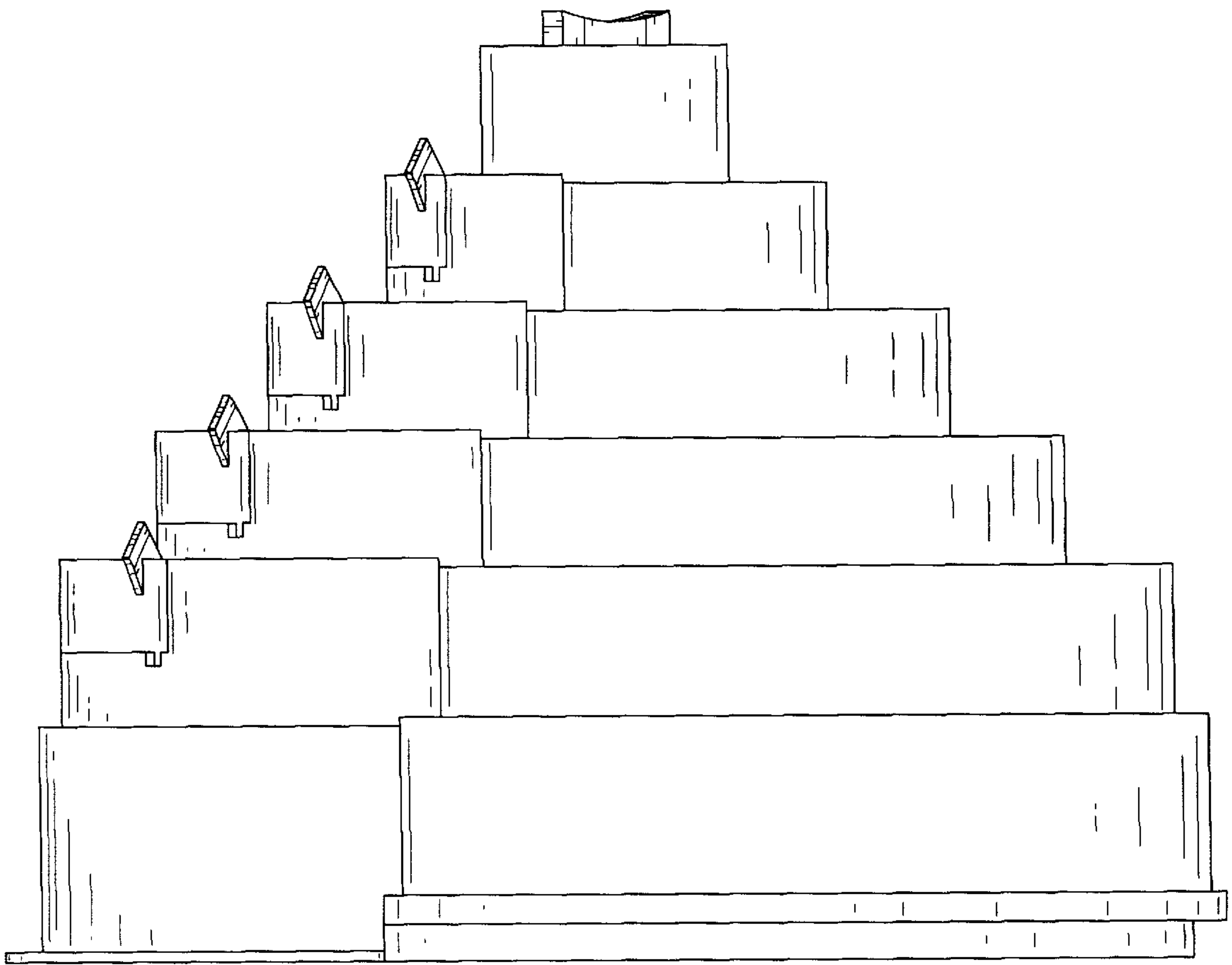


FIG. 7