



US00D475412S

(12) **United States Design Patent**
Henshaw et al.

(10) **Patent No.: US D475,412 S**

(45) **Date of Patent: ** Jun. 3, 2003**

(54) **ACCESSORY FOR A MATERIALS HANDLING VEHICLE**

(75) **Inventors: Robert J. Henshaw**, Newnan, GA (US); **Russell J. Kroll**, Atlanta, GA (US); **Philip D. Palermo**, Marietta, GA (US); **Michael P. Gallagher**, Greenville, OH (US)

(73) **Assignee: Crown Equipment Corporation**, New Bremen, OH (US)

(**) **Term: 14 Years**

(21) **Appl. No.: 29/159,502**

(22) **Filed: Apr. 23, 2002**

(51) **LOC (7) Cl. 19-02**

(52) **U.S. Cl. D19/90; D19/88; D34/35**

(58) **Field of Search D34/28, 35, 34; D12/420, 223; D14/254; D19/75, 86, 88, 54, 90, 91; 248/465.1, 451, 452, 454, 465, 447.2, 449**

(56) **References Cited**

U.S. PATENT DOCUMENTS

575,928	A	*	1/1897	Ives	248/465.1
724,629	A	*	4/1903	Towle	248/465.1
3,104,895	A	*	9/1963	Feuerbach et al.	248/451
D199,828	S	*	12/1964	Regan	D19/75
4,269,381	A	*	5/1981	Harms	248/451
D270,636	S	*	9/1983	Foreman, Sr.	D19/88
4,955,576	A	*	9/1990	Moberg	248/449
D318,298	S	*	7/1991	Oren	D19/88
D329,762	S	*	9/1992	Weeks	D19/91

D331,263	S	*	11/1992	Shing-Wai	D19/88
D361,092	S	*	8/1995	Batsin	D19/91
D364,427	S	*	11/1995	Kirchoff et al.	D19/88
D382,300	S	*	8/1997	Thorne et al.	D19/91
D392,679	S	*	3/1998	Crist et al.	D19/88
D446,247	S	*	8/2001	Martonella	D19/77

* cited by examiner

Primary Examiner—Cynthia E. Ramirez

(74) *Attorney, Agent, or Firm*—Stevens & Showalter LLP

(57) **CLAIM**

The ornamental design for an accessory for a materials handling vehicle, as shown.

DESCRIPTION

FIG. 1 is a front perspective view of an accessory for a materials handling vehicle in accordance with the present invention illustrating my new design;

FIG. 2 is a back perspective view of the accessory for a materials handling vehicle shown in FIG. 1;

FIG. 3 is a front elevational view of the accessory for a materials handling vehicle shown in FIG. 1;

FIG. 4 is a back elevational view of the accessory for a materials handling vehicle shown in FIG. 1;

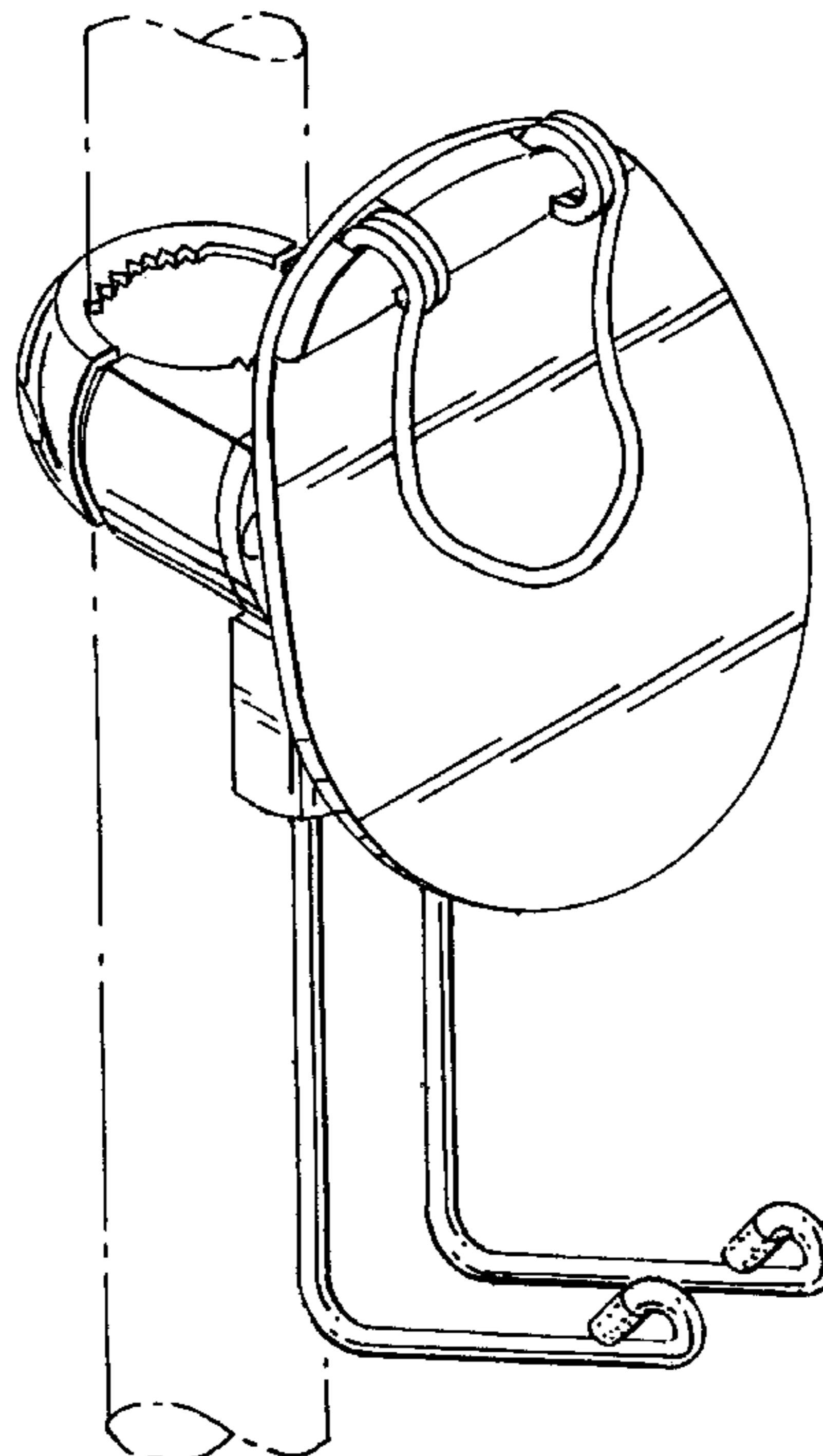
FIG. 5 is a top plan view of the accessory for a materials handling vehicle shown in FIG. 1;

FIG. 6 is a bottom plan view of the accessory for a materials handling vehicle shown in FIG. 1;

FIG. 7 is a left side elevational view of the accessory for a materials handling vehicle shown in FIG. 1; and,

FIG. 8 is a right side elevational view of the accessory for a materials handling vehicle shown in FIG. 1.

1 Claim, 3 Drawing Sheets



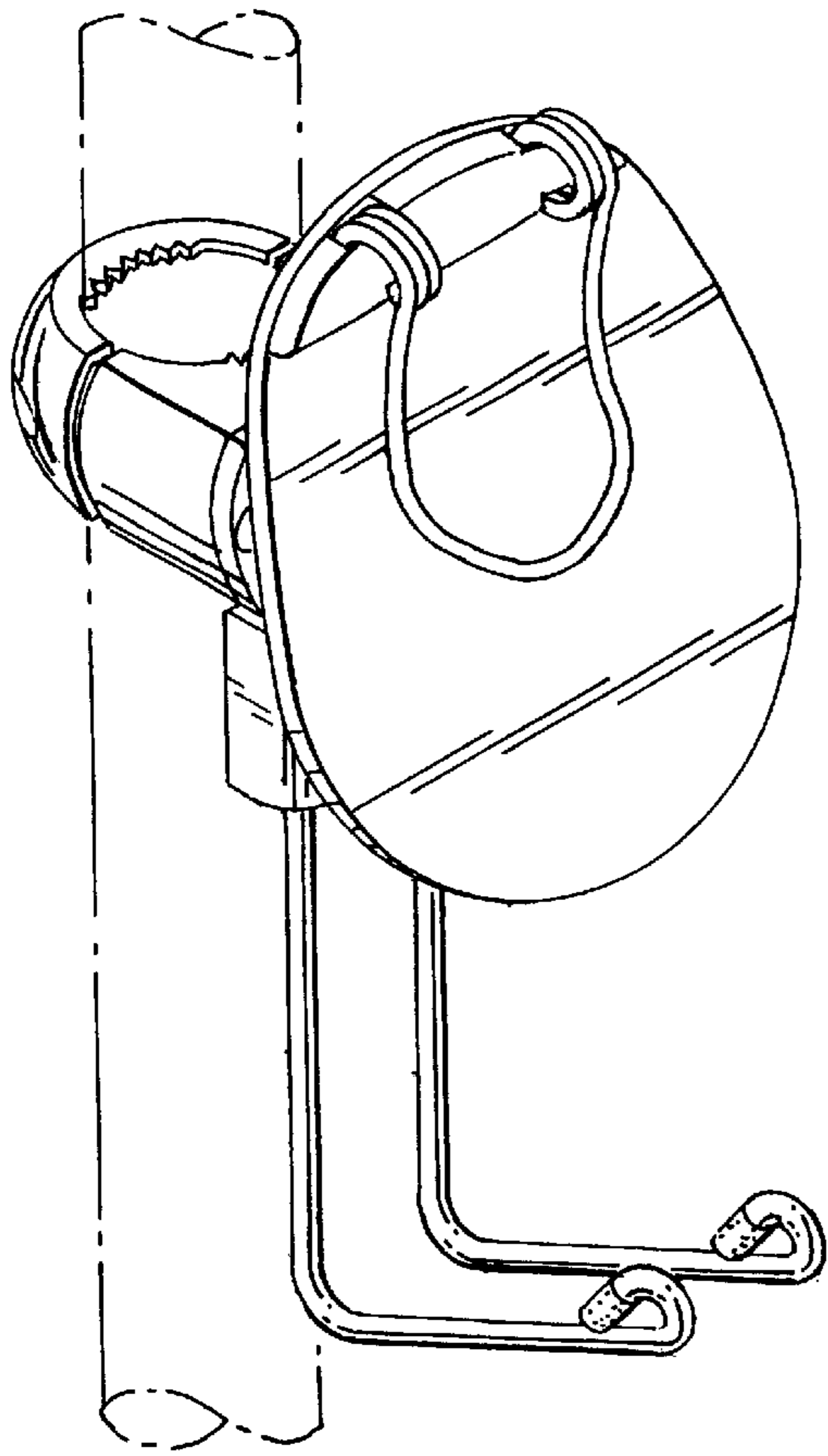


FIG. 1

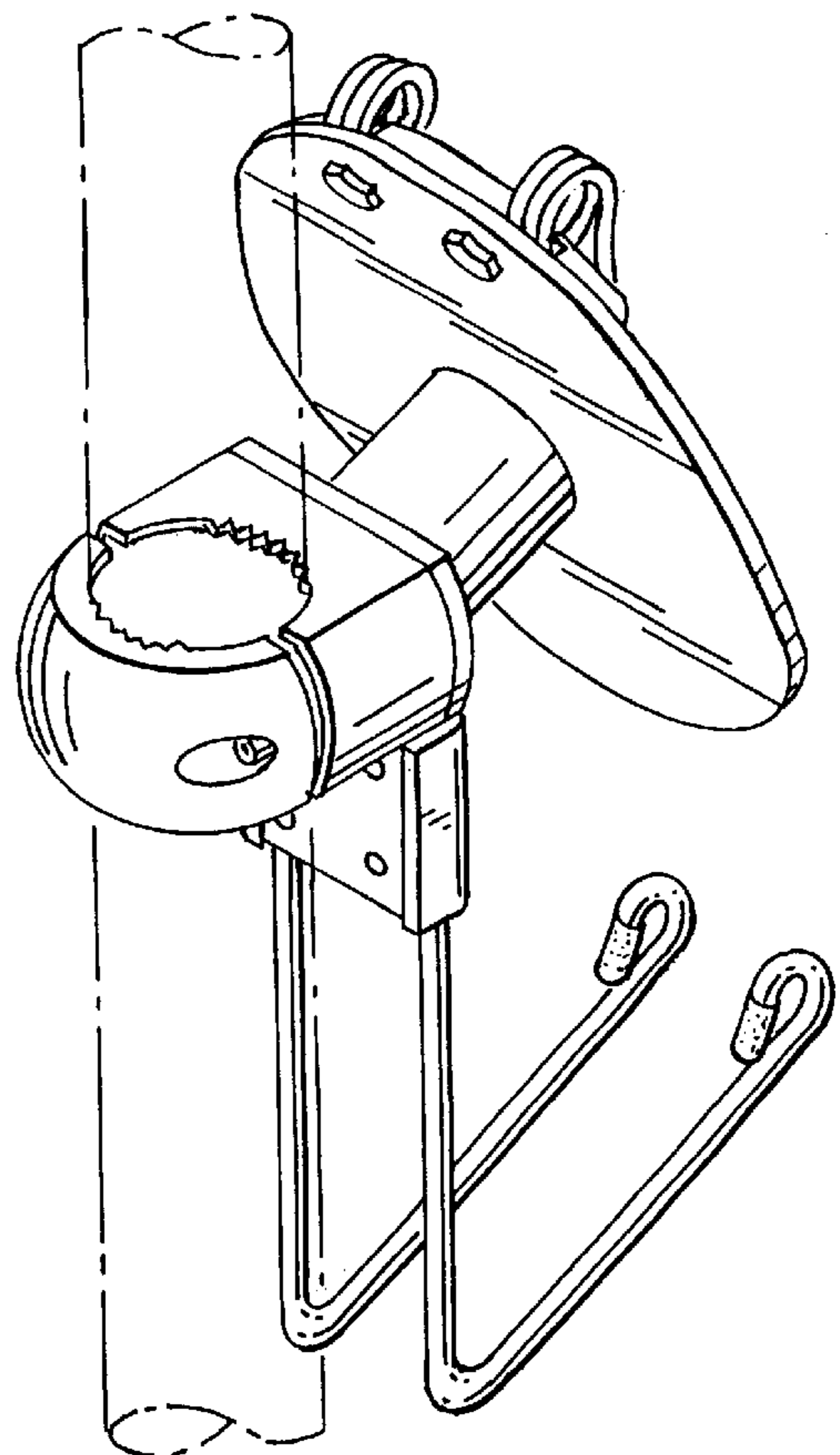


FIG. 2

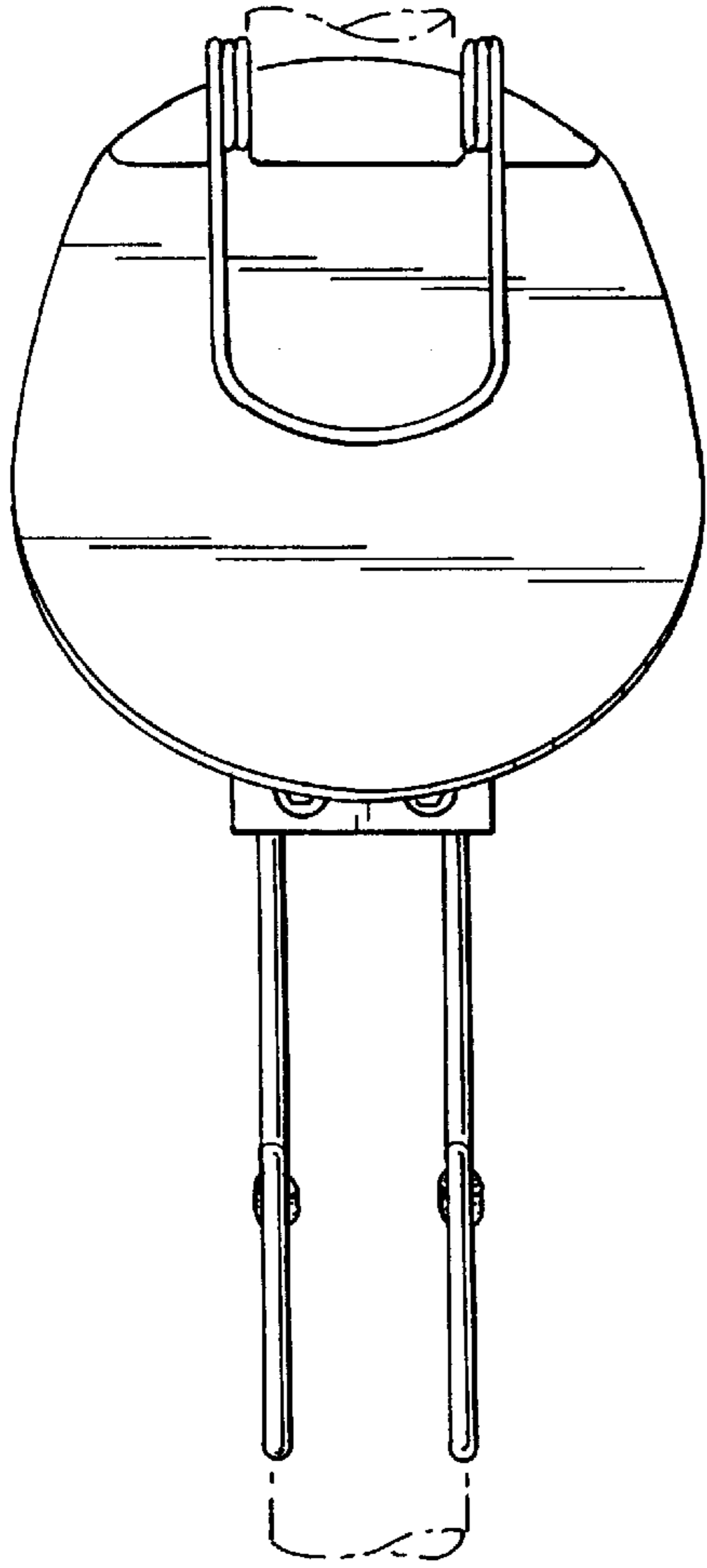


FIG. 3

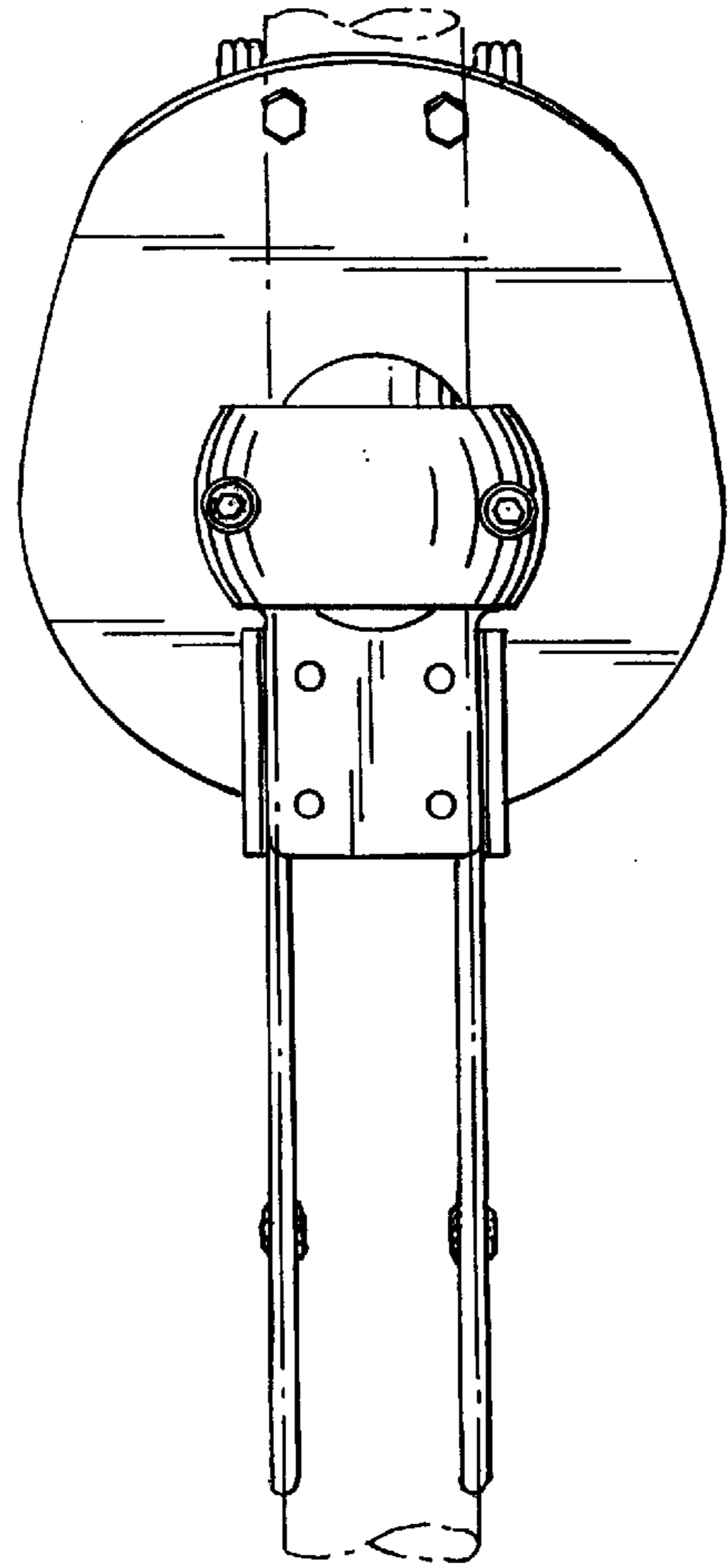


FIG. 4

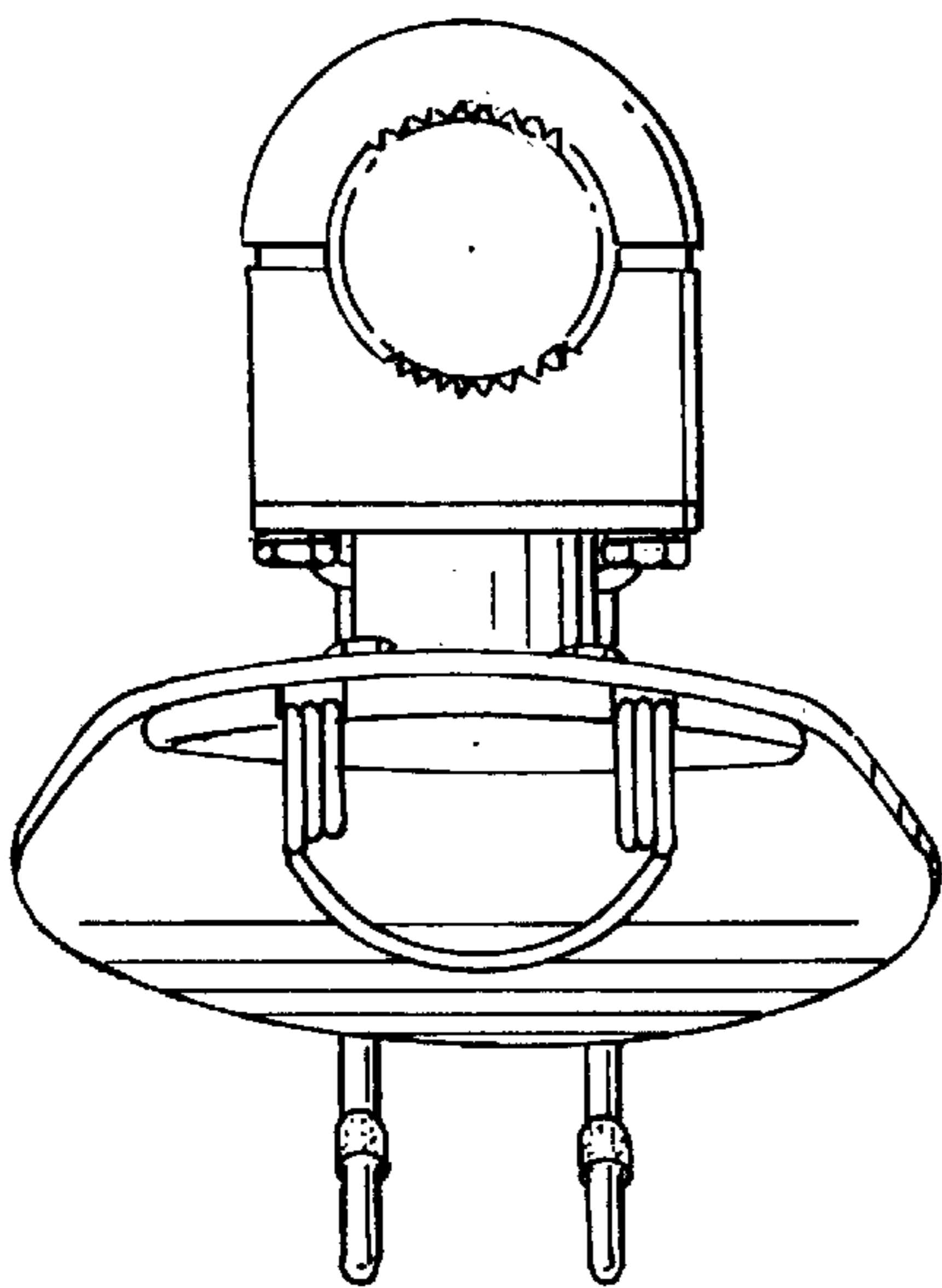


FIG. 5

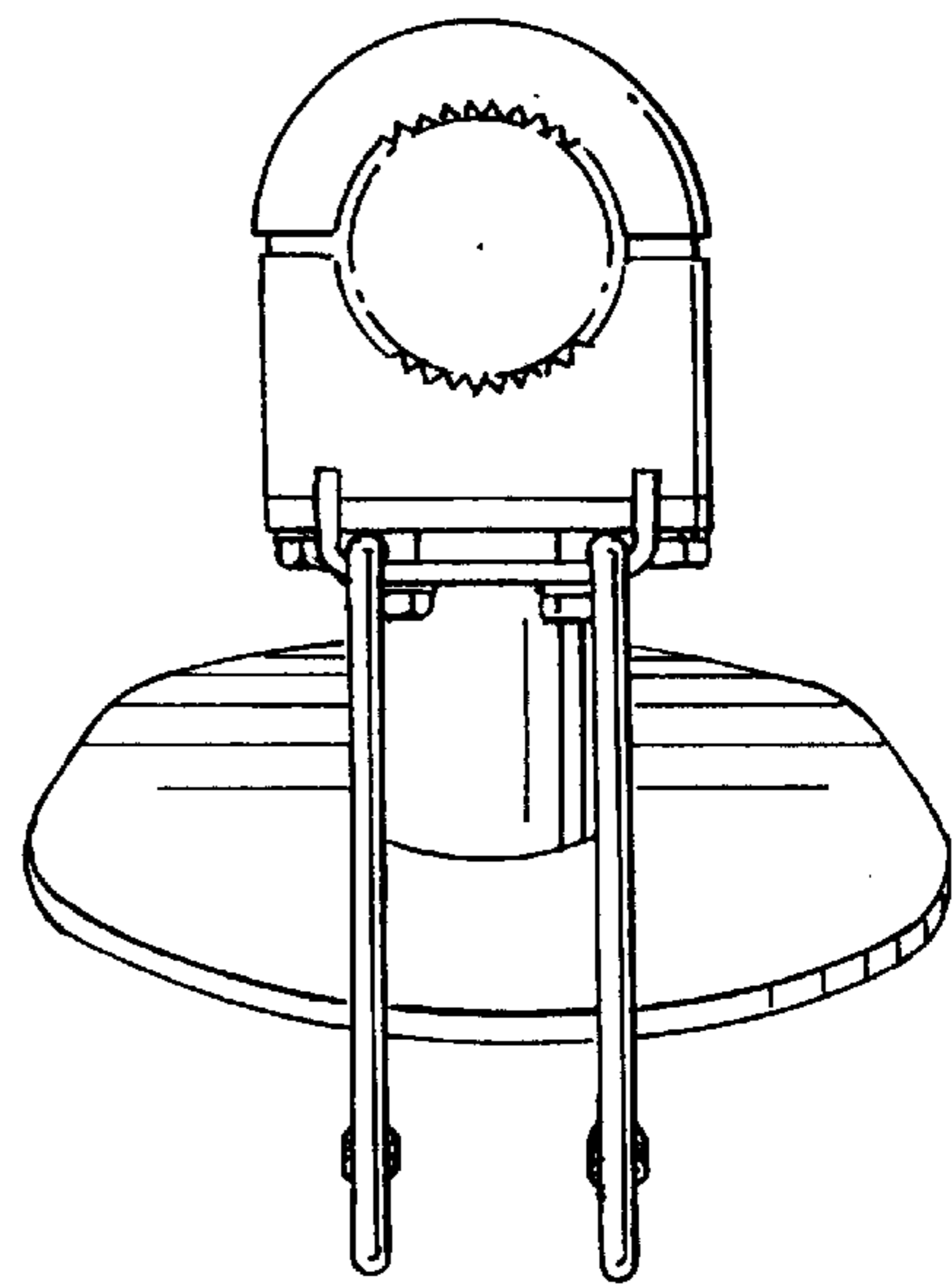


FIG. 6

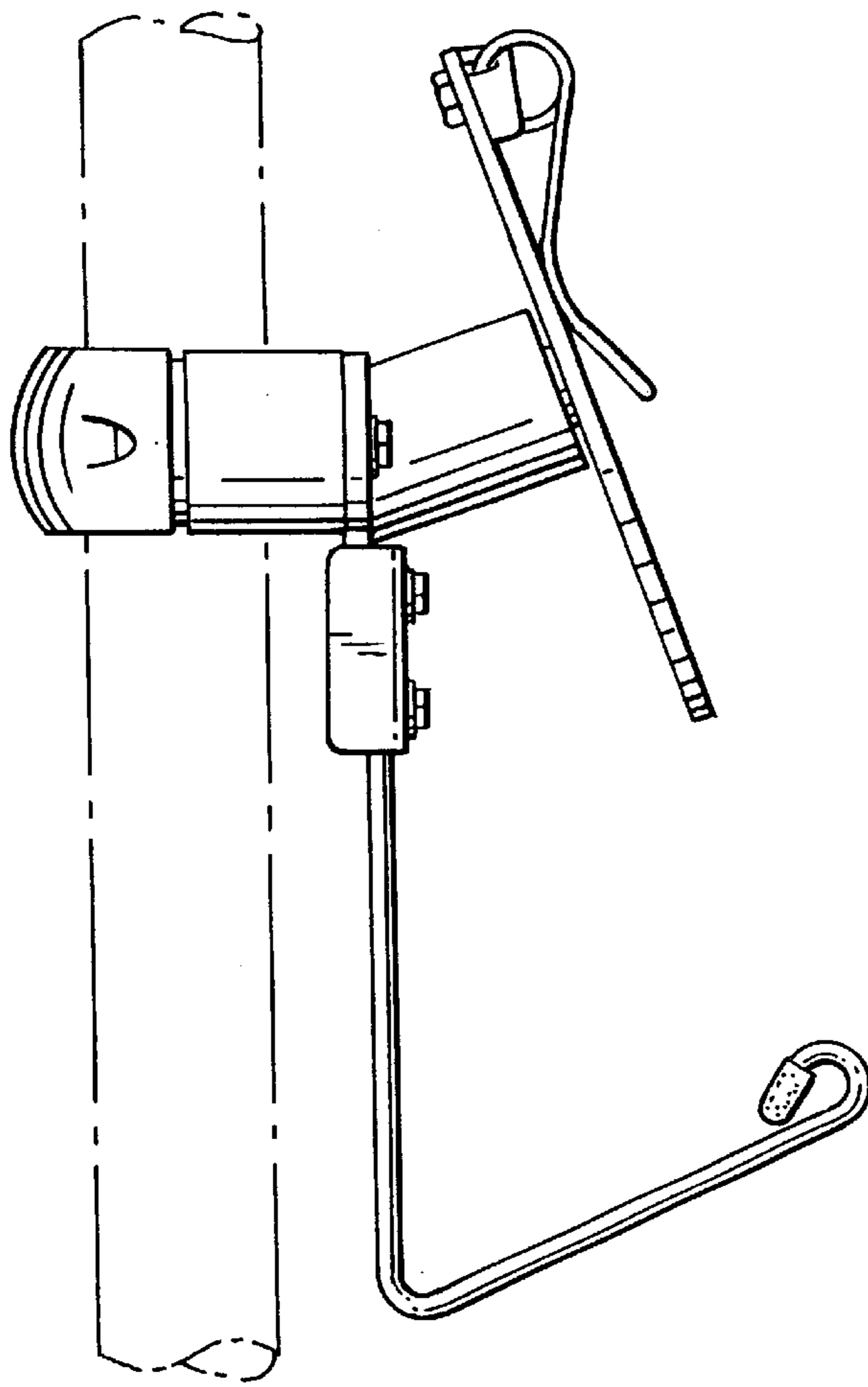


FIG. 7

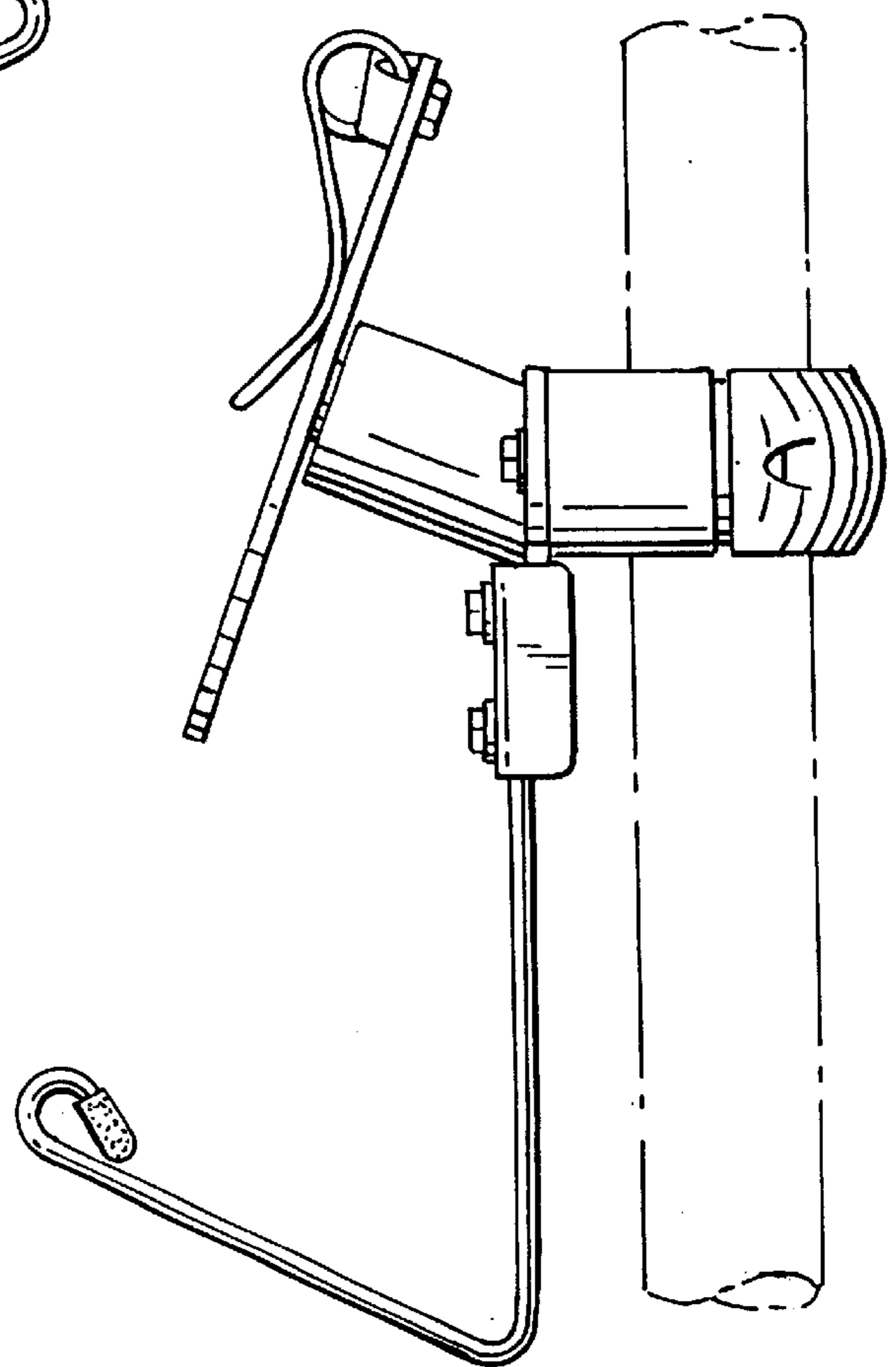


FIG. 8