



US00D475409S

(12) **United States Design Patent**  
**Beno**

(10) **Patent No.:** **US D475,409 S**

(45) **Date of Patent:** **\*\* Jun. 3, 2003**

(54) **BULLETIN BOARD PAPER HOLDER**

(75) **Inventor:** **Steven Beno, Gurnee, IL (US)**

(73) **Assignee:** **General Binding Corporation, Skokie, IL (US)**

(\* ) **Notice:** This patent is subject to a terminal disclaimer.

(\*\* ) **Term:** **14 Years**

(21) **Appl. No.:** **29/140,142**

(22) **Filed:** **Apr. 12, 2001**

(51) **LOC (7) Cl.** ..... **19-02**

(52) **U.S. Cl.** ..... **D19/65; D19/52; D19/86**

(58) **Field of Search** ..... **D8/395; D19/52, D19/65, 75, 86, 88, 90, 91, 99, 100; D20/42, 43; 248/441.1, 442.2, 451, 452; 40/371, 904; 312/190; 24/11 CT, 67 R, 545-547, 67.1-67.11, 457, 467, 489, 504-508, 510, 562, 563; 281/45**

(56) **References Cited**

**U.S. PATENT DOCUMENTS**

D206,783 S	*	1/1967	McCormick	.....	D20/43
3,968,546 A	*	7/1976	Seaborn et al.	.....	24/67.9
D321,012 S	*	10/1991	Wright	.....	D19/88
D333,161 S	*	2/1993	Hartnett	.....	D19/88
5,184,375 A	*	2/1993	Hoyt	.....	24/11 CT
D350,947 S	*	9/1994	Klinger et al.	.....	D8/395 X
D406,169 S	*	2/1999	Wolff	.....	D19/65

6,175,082 B1	*	1/2001	Klinger et al.	.....	24/457
D446,549 S	*	8/2001	Cheris et al.	.....	D19/90 X
D450,090 S	*	11/2001	Cheris et al.	.....	D19/88

\* cited by examiner

*Primary Examiner*—Martie K. Holtje

(74) *Attorney, Agent, or Firm*—Faier & Faier P.C.; Martin Faier

(57) **CLAIM**

The ornamental design for a bulletin board paper holder, as shown and described.

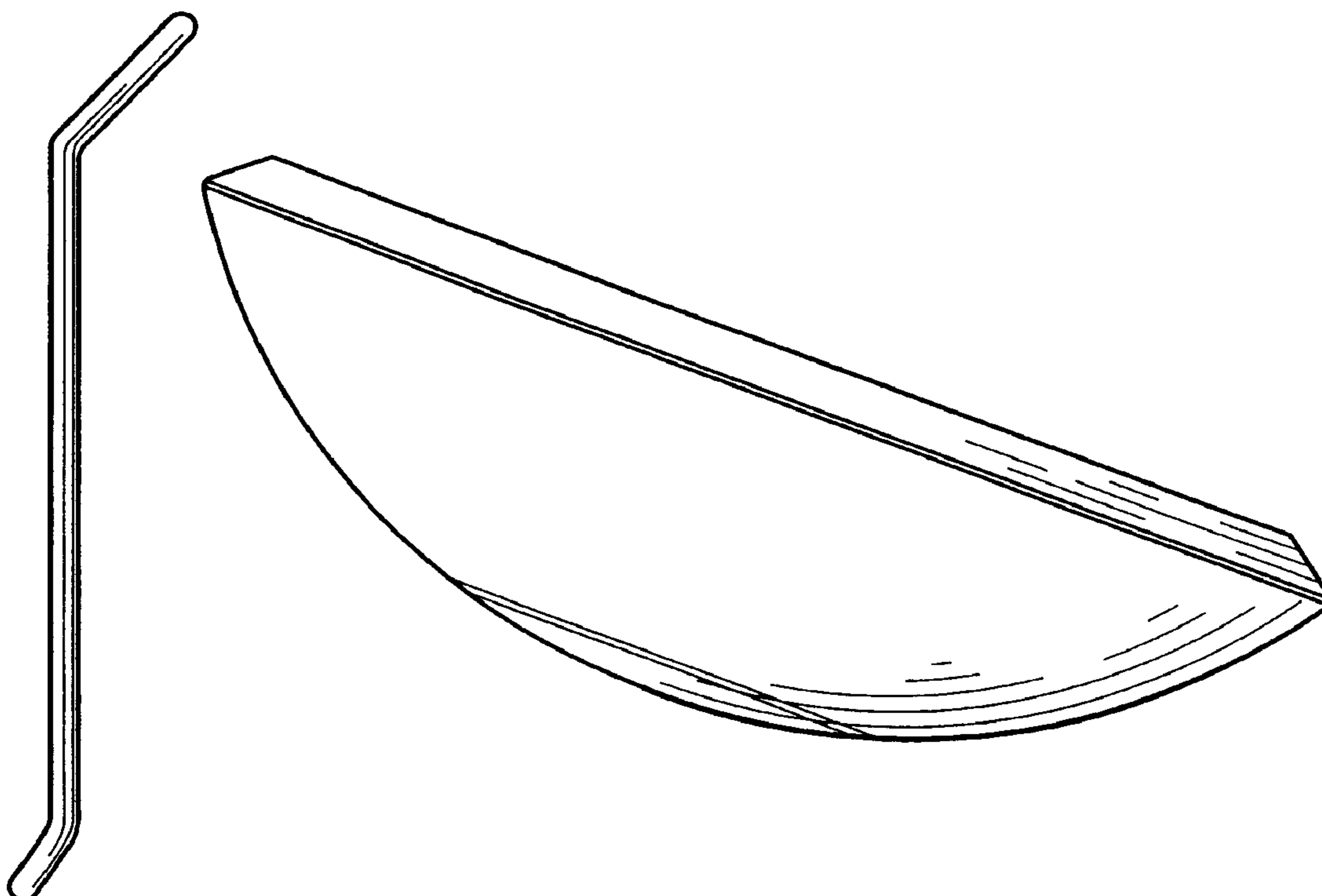
**DESCRIPTION**

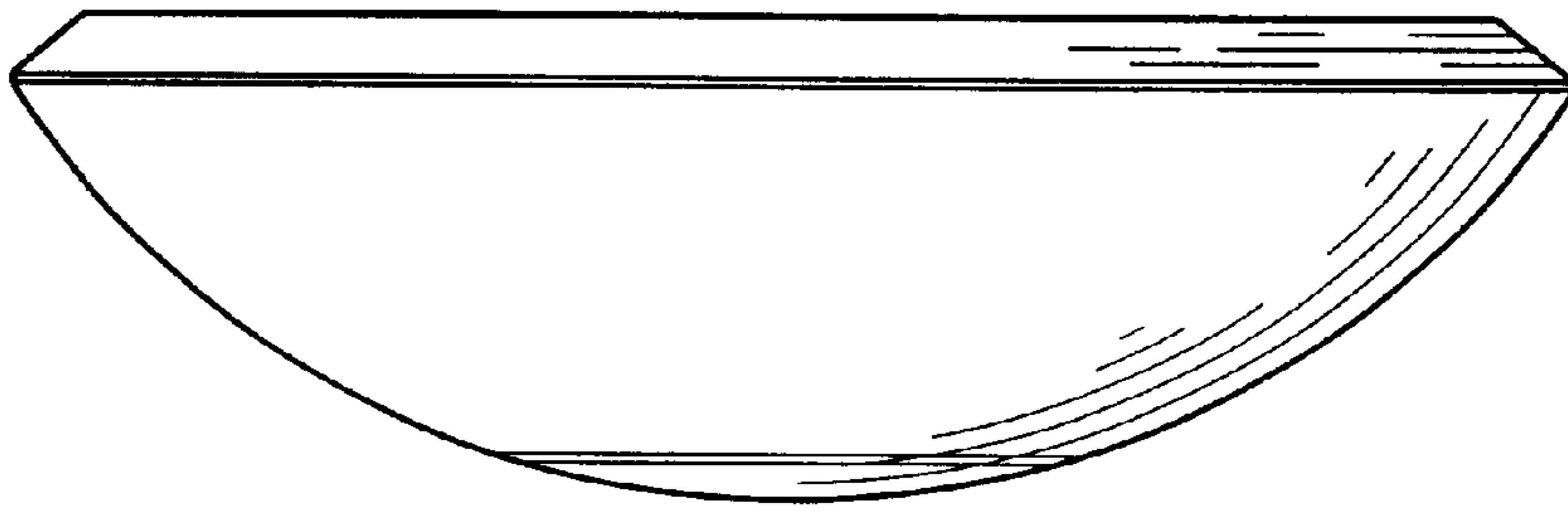
FIG. 1 is a front view of the bulletin board paper holder; FIG. 2 is a top view of the bulletin board paper holder; FIG. 3 is an enlarged side elevational view of the bulletin board paper holder, the opposite side being a mirror image thereof.

FIG. 4 is an enlarged perspective view of the bulletin board paper holder;

FIG. 5 is a side elevational view of a bulletin board paper holder relative to the bulletin board frame portion depicted by means of broken lines which is shown for illustrative purposes only and forms no part of the claimed design; and, FIG. 6 is a second side elevational view of a bulletin board paper holder in an alternate position relative to the bulletin board frame portion depicted by means of broken lines which is shown for illustrative purposes only and forms no part of the claimed design.

**1 Claim, 2 Drawing Sheets**

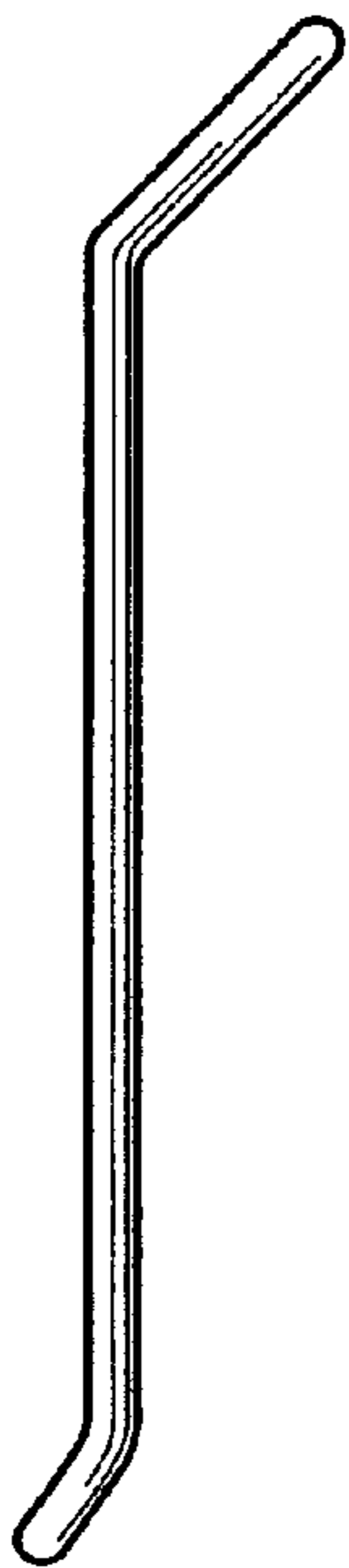




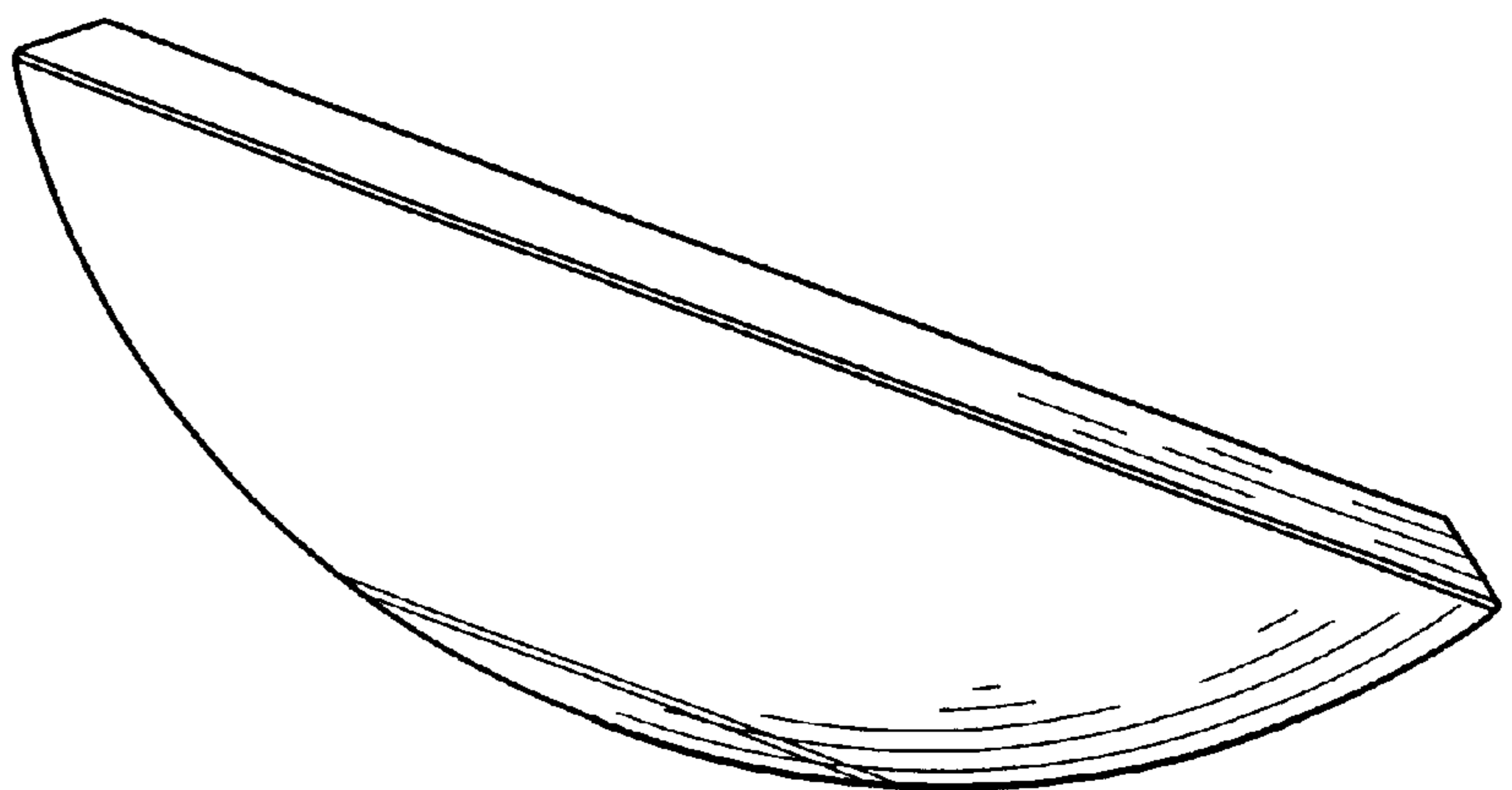
**FIG. 1**



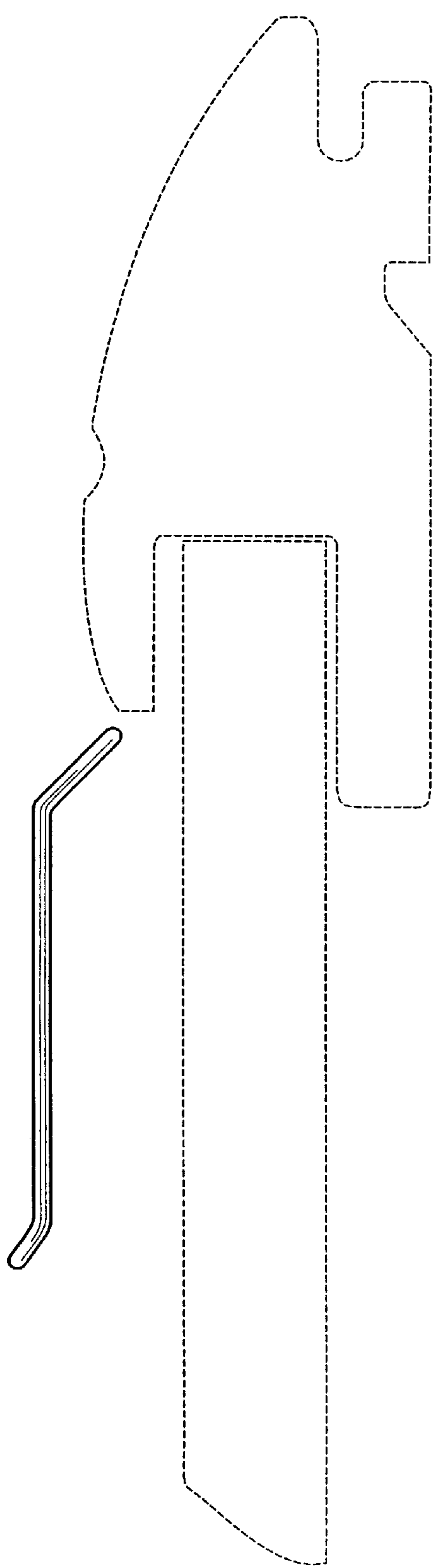
**FIG. 2**



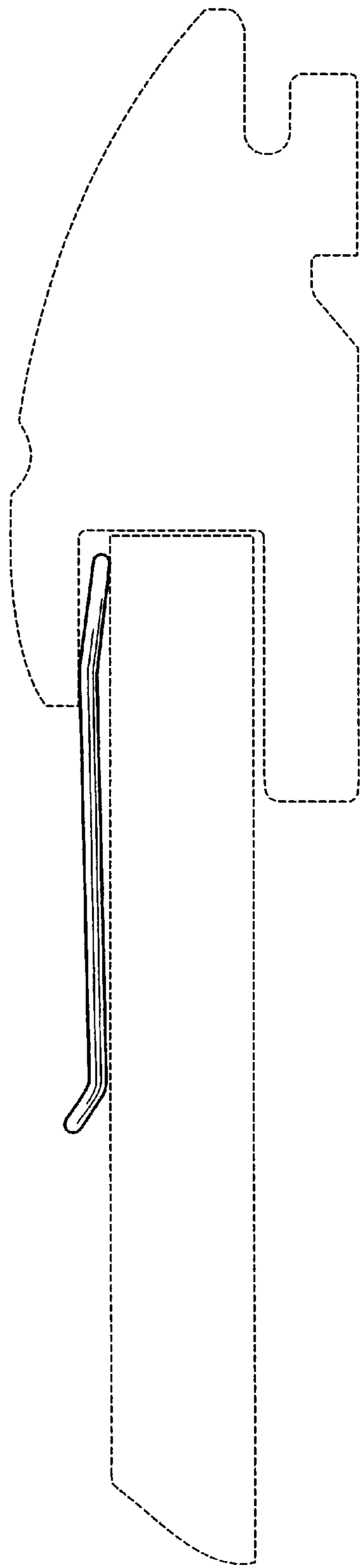
**FIG. 3**



**FIG. 4**



**FIG. 5**



**FIG. 6**