



US00D475405S

(12) **United States Design Patent**  
**Cetera**

(10) **Patent No.:** **US D475,405 S**

(45) **Date of Patent:** **\*\* Jun. 3, 2003**

(54) **PEN**

(75) **Inventor:** **Carl Cetera**, Tenafly, NJ (US)

(73) **Assignee:** **Cotapaxi, Inc.**, Englewood, NJ (US)

(\*\*) **Term:** **14 Years**

(21) **Appl. No.:** **29/165,187**

(22) **Filed:** **Aug. 5, 2002**

(51) **LOC (7) Cl.** ..... **19-06**

(52) **U.S. Cl.** ..... **D19/48; D19/56; D19/55**

(58) **Field of Search** ..... D19/35, 36, 41-48,  
D19/49-51, 53-58, 81-85; 401/6, 7, 88,  
99, 100, 101, 103-106, 107-110, 111-117,  
209

(56) **References Cited**

**U.S. PATENT DOCUMENTS**

3,019,767	A	*	2/1962	Ambros	.....	401/111
D319,845	S	*	9/1991	Grotsch et al.	.....	D19/48
D355,673	S	*	2/1995	Takahashi	.....	D19/48
D396,058	S	*	7/1998	Schmidt et al.	.....	D19/51
D417,699	S	*	12/1999	Izushima	.....	D19/48

D421,771 S \* 3/2000 Avenatti ..... D19/48

D435,592 S \* 12/2000 Lecce ..... D19/51

D454,368 S \* 3/2002 Pellissa Beneyto ..... D19/48

D456,846 S \* 5/2002 Pellisa Beneyto ..... D19/51

\* cited by examiner

*Primary Examiner*—Martie K. Holtje

(74) *Attorney, Agent, or Firm*—Andrew S. Naglestad; Mark D. Nielsen; The Soni Law Firm

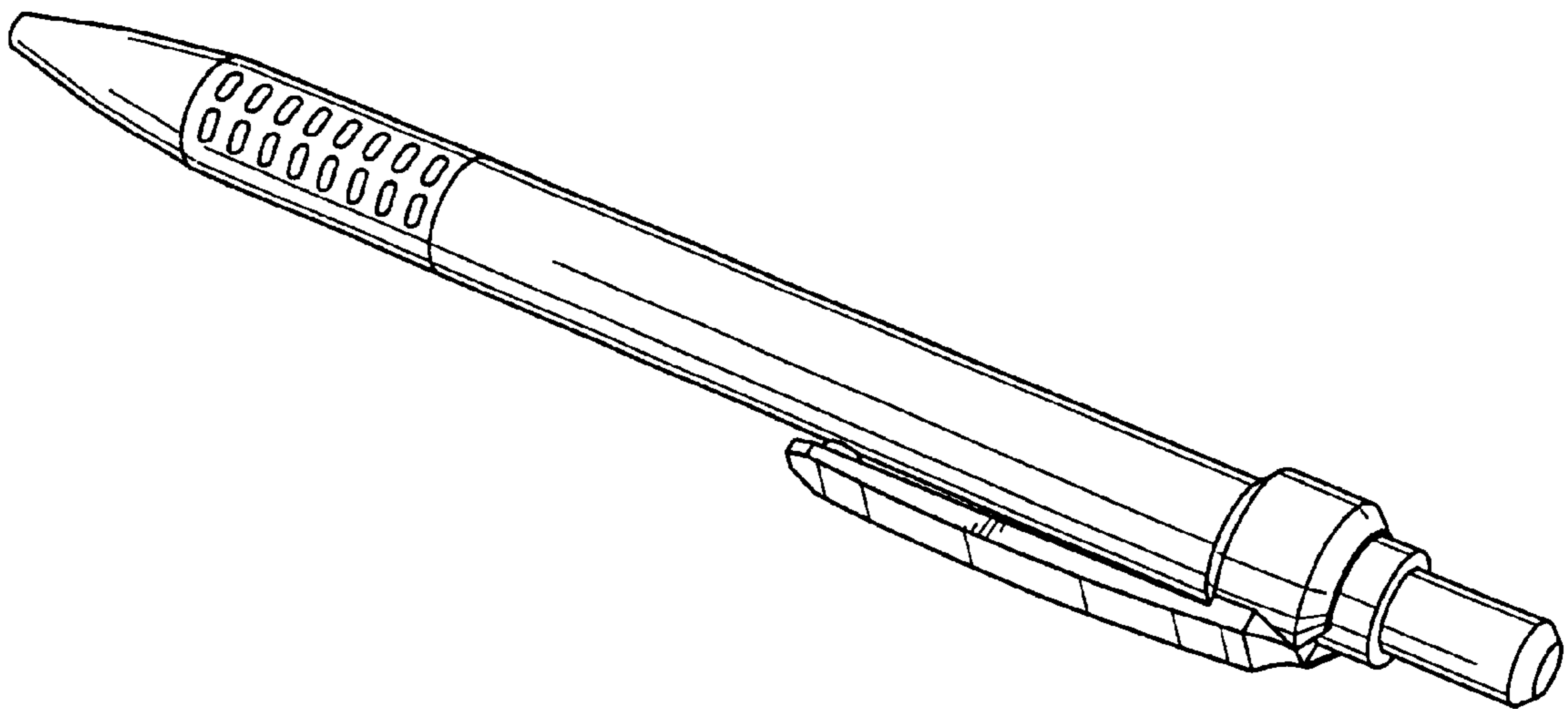
(57) **CLAIM**

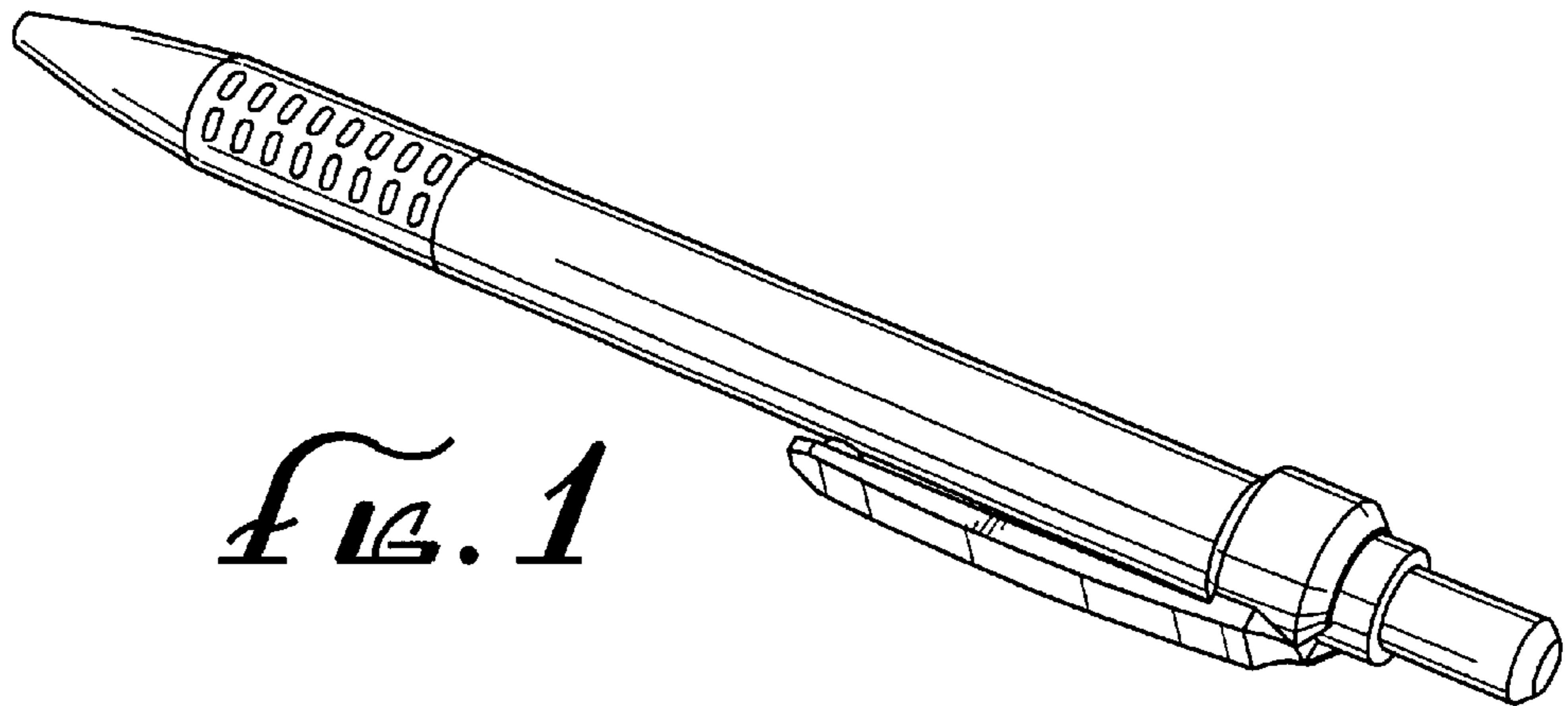
The ornamental design for a pen, as shown and described.

**DESCRIPTION**

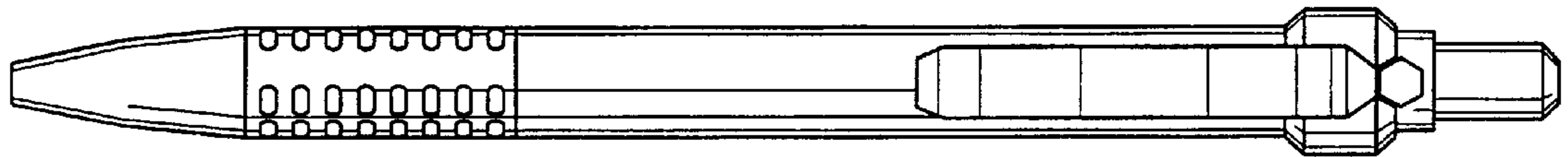
FIG. 1 is a perspective view of a pen;  
FIG. 2 is a front elevational view of the pen of FIG. 1;  
FIG. 3 is a rear elevational view of the pen of FIG. 1;  
FIG. 4 is a left side elevational view of the pen of FIG. 1;  
FIG. 5 is a top plan view of the pen of FIG. 1; and,  
FIG. 6 is a bottom plan view of the pen of FIG. 1.  
The right side elevational view of the pen shown in FIG. 1 is opposite from and a mirror image of the left side elevational view of FIG. 4.

**1 Claim, 1 Drawing Sheet**

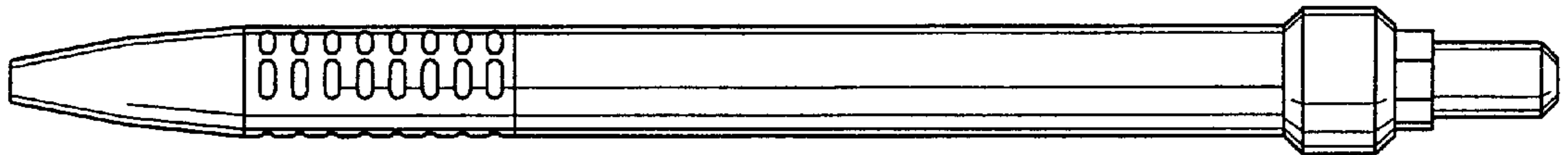




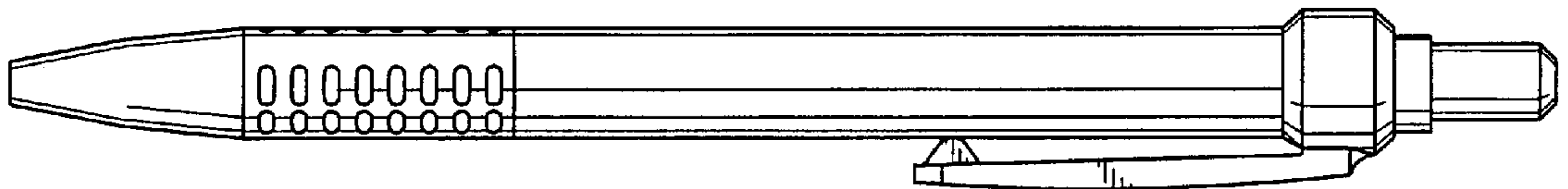
*FIG. 1*



*FIG. 2*



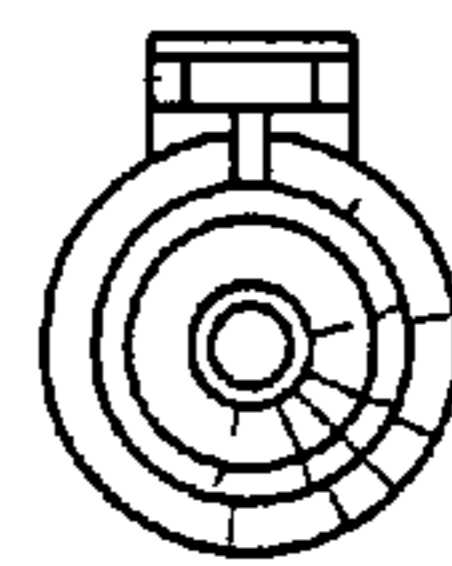
*FIG. 3*



*FIG. 4*



*FIG. 5*



*FIG. 6*