



US00D475400S

(12) **United States Design Patent**
Todd

(10) **Patent No.:** **US D475,400 S**

(45) **Date of Patent:** **** Jun. 3, 2003**

(54) **SHEET HANDLING TRAY**

(75) **Inventor:** **Douglas John Todd, Boise, ID (US)**

(73) **Assignee:** **Hewlett-Packard Company, Palo Alto, CA (US)**

(**) **Term:** **14 Years**

(21) **Appl. No.:** **29/168,546**

(22) **Filed:** **Oct. 1, 2002**

(51) **LOC (7) Cl. 18-99**

(52) **U.S. Cl. D18/49**

(58) **Field of Search** D18/36-40, 44,
D18/46-49, 53, 54, 56; 399/361, 377, 388,
393, 405; 271/3.08, 3.14, 8.1, 9.01, 9.05,
9.06

(56) **References Cited**

U.S. PATENT DOCUMENTS

D374,454 S * 10/1996 Naruki et al. D18/36

D390,256 S * 2/1998 Shibata D18/39
D415,192 S * 10/1999 Laidlaw D18/49
D443,887 S * 6/2001 Ogawa et al. D18/39
D458,297 S * 6/2002 Laidlaw et al. D18/36

* cited by examiner

Primary Examiner—Caron D. Veynar

(57) **CLAIM**

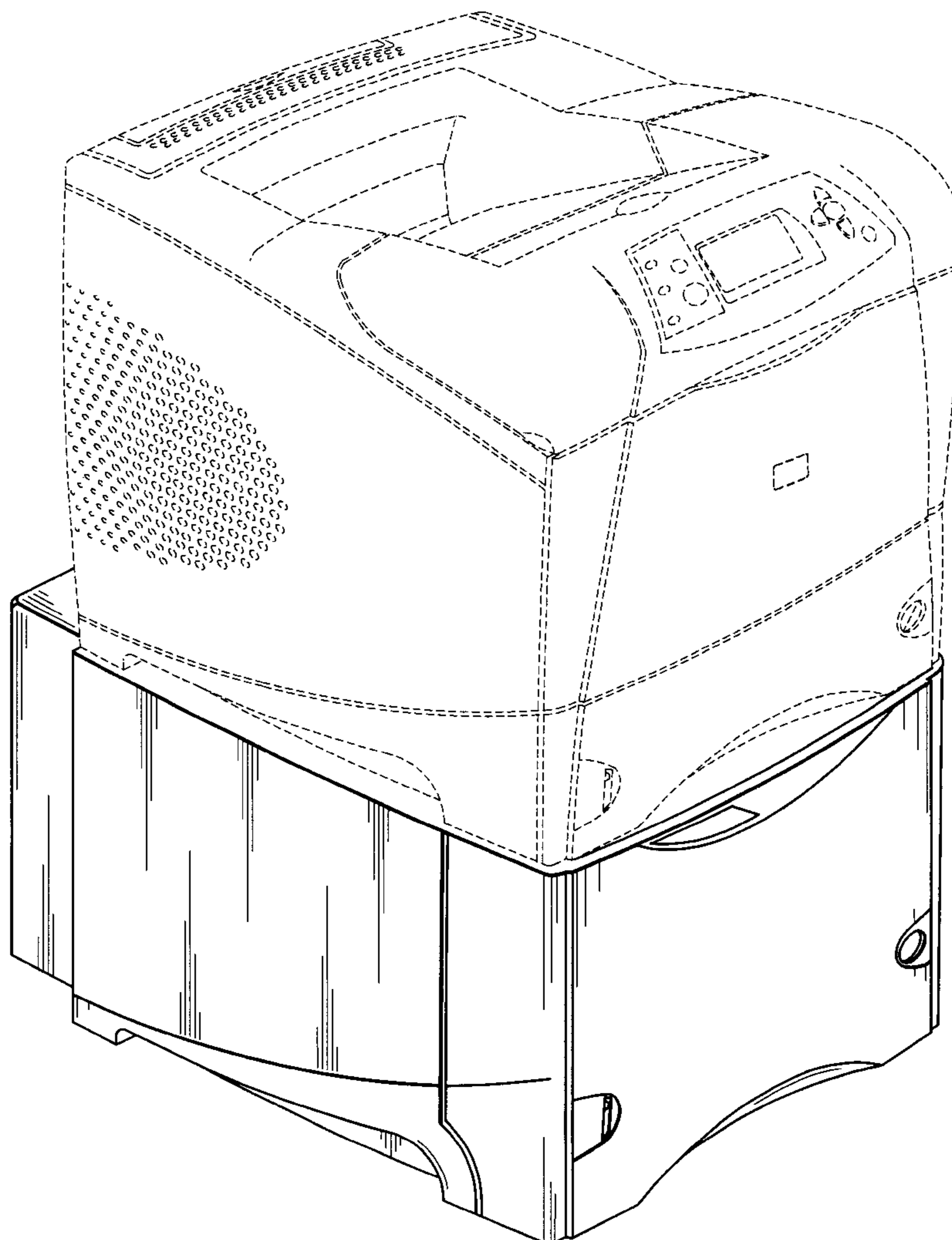
The ornamental design for a sheet handling tray, as shown and described.

DESCRIPTION

FIG. 1 is a left-front perspective view of a sheet handling tray showing the new design;
FIG. 2 is a front view thereof;
FIG. 3 is a left side view thereof;
FIG. 4 is a right side view thereof; and,
FIG. 5 is a rear view thereof.

The broken lines showing in FIGS. 1-5 are for illustrative purposes only and form no part of the claimed design.

1 Claim, 5 Drawing Sheets



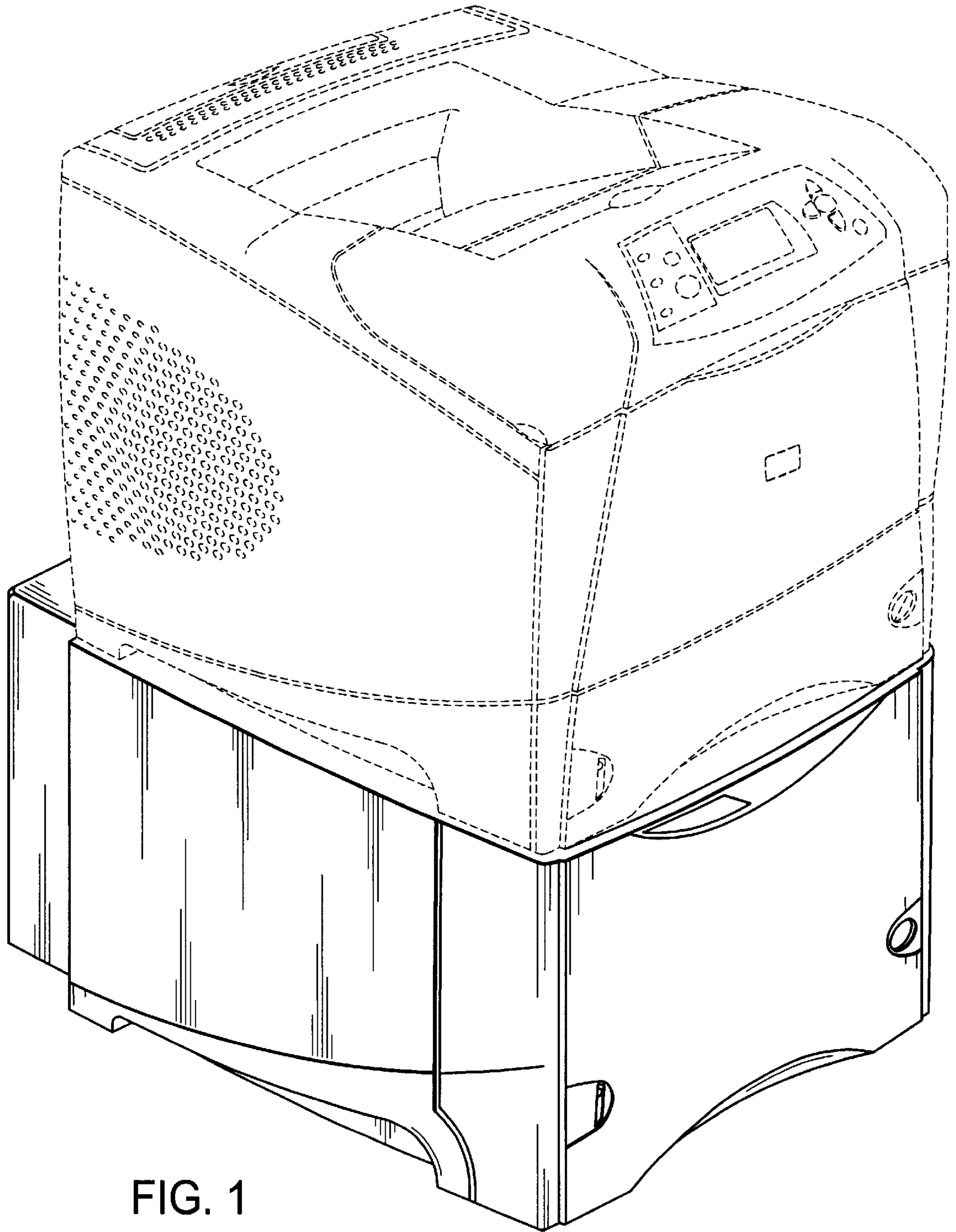


FIG. 1

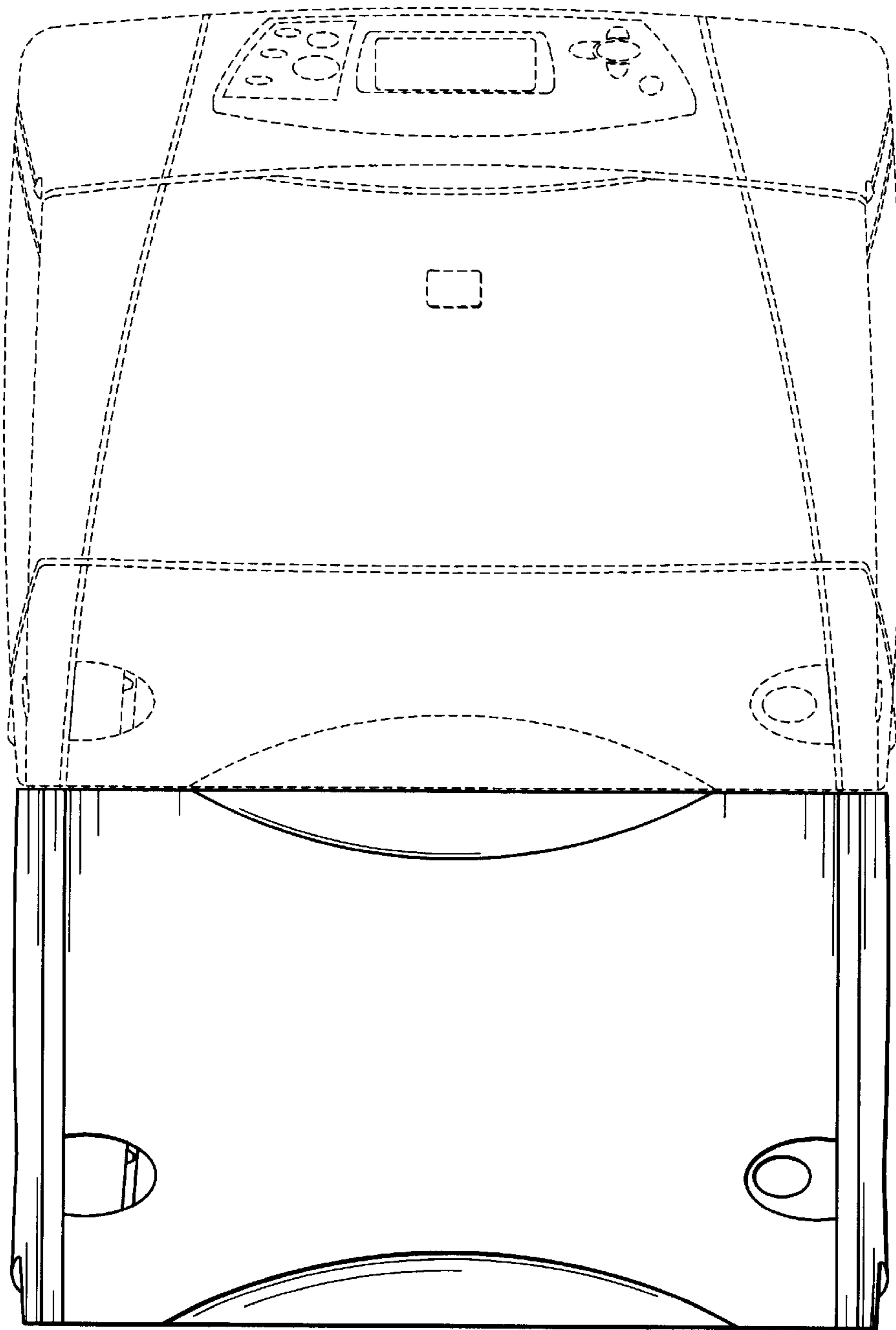


FIG. 2

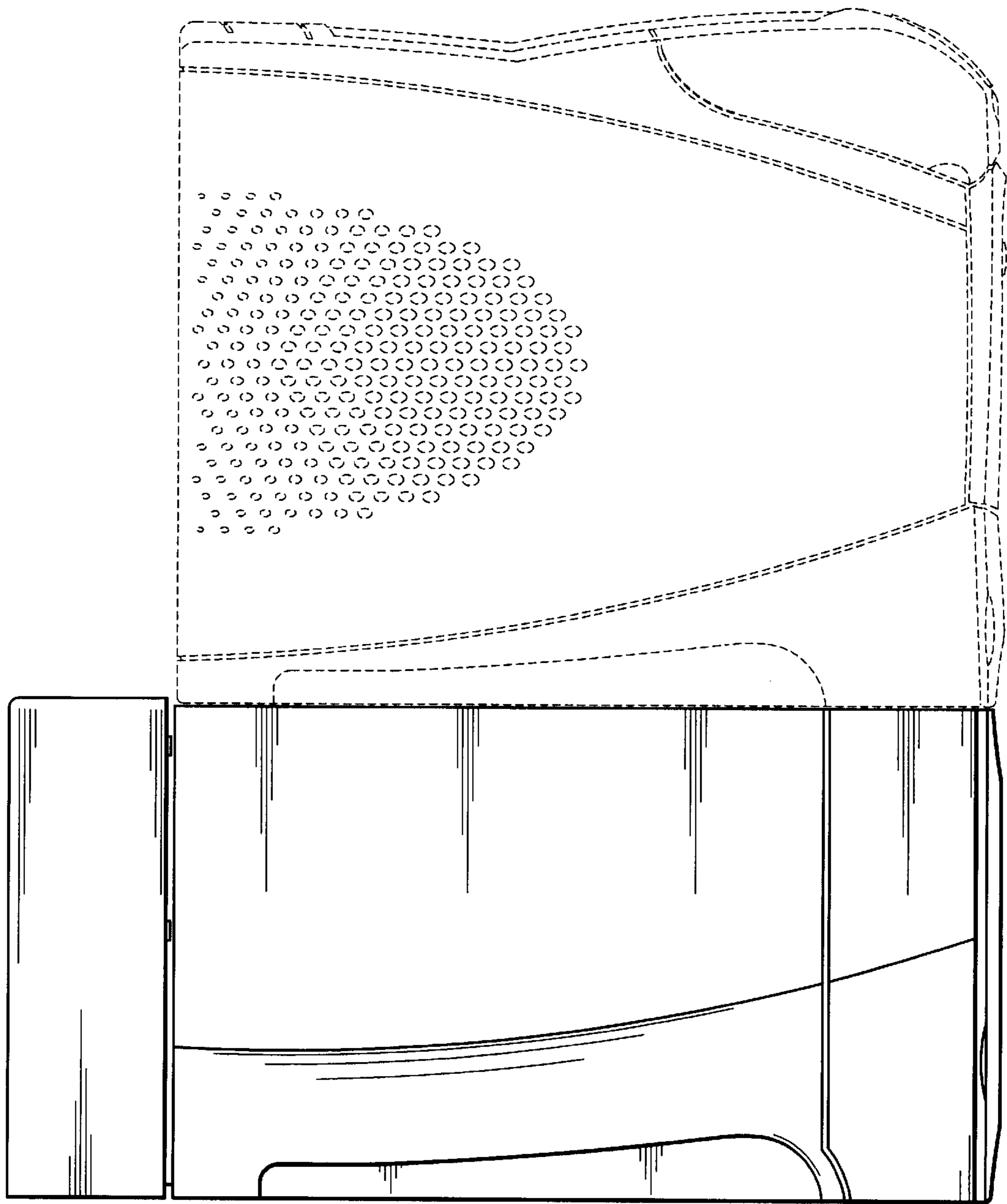


FIG. 3

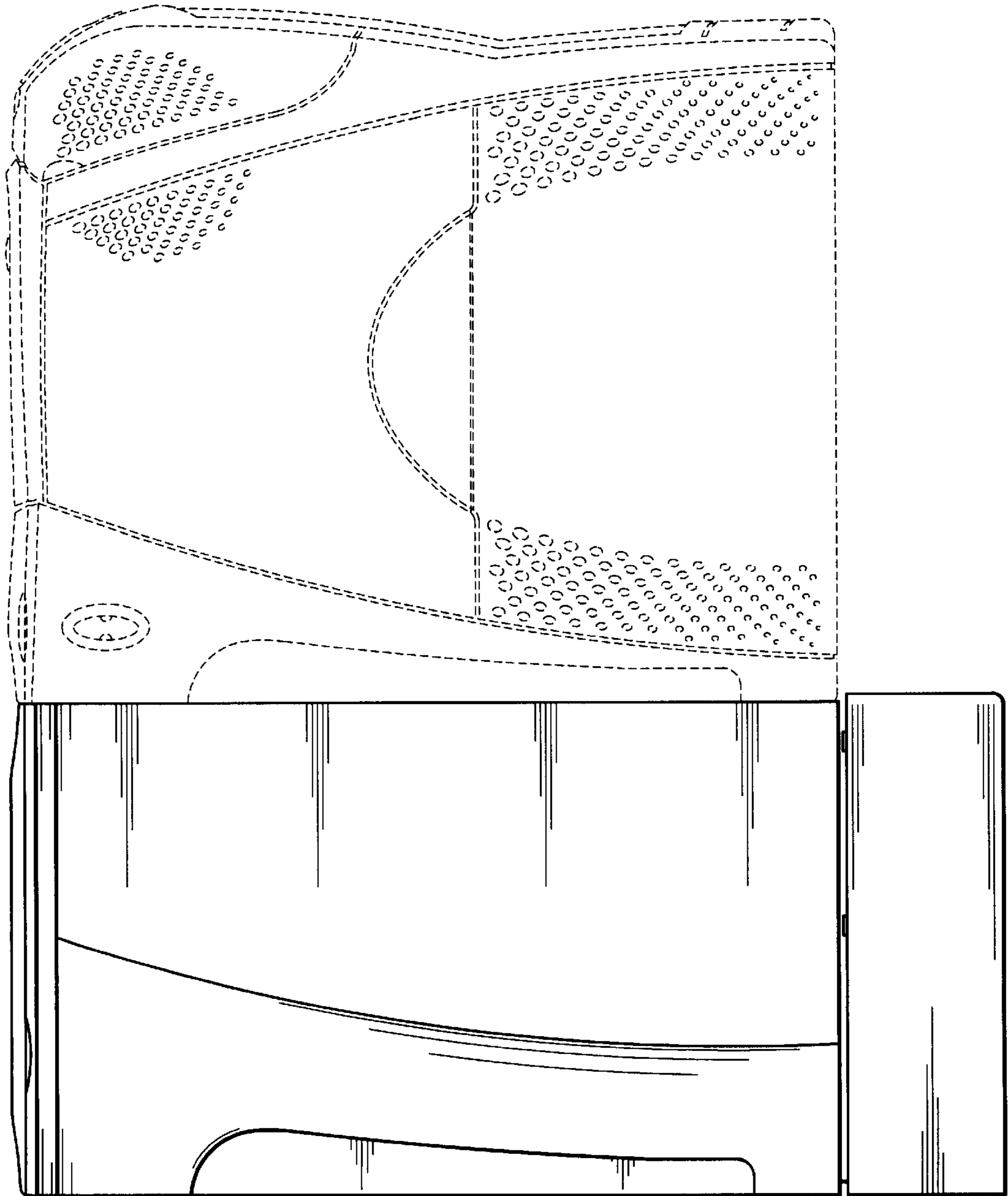


FIG. 4

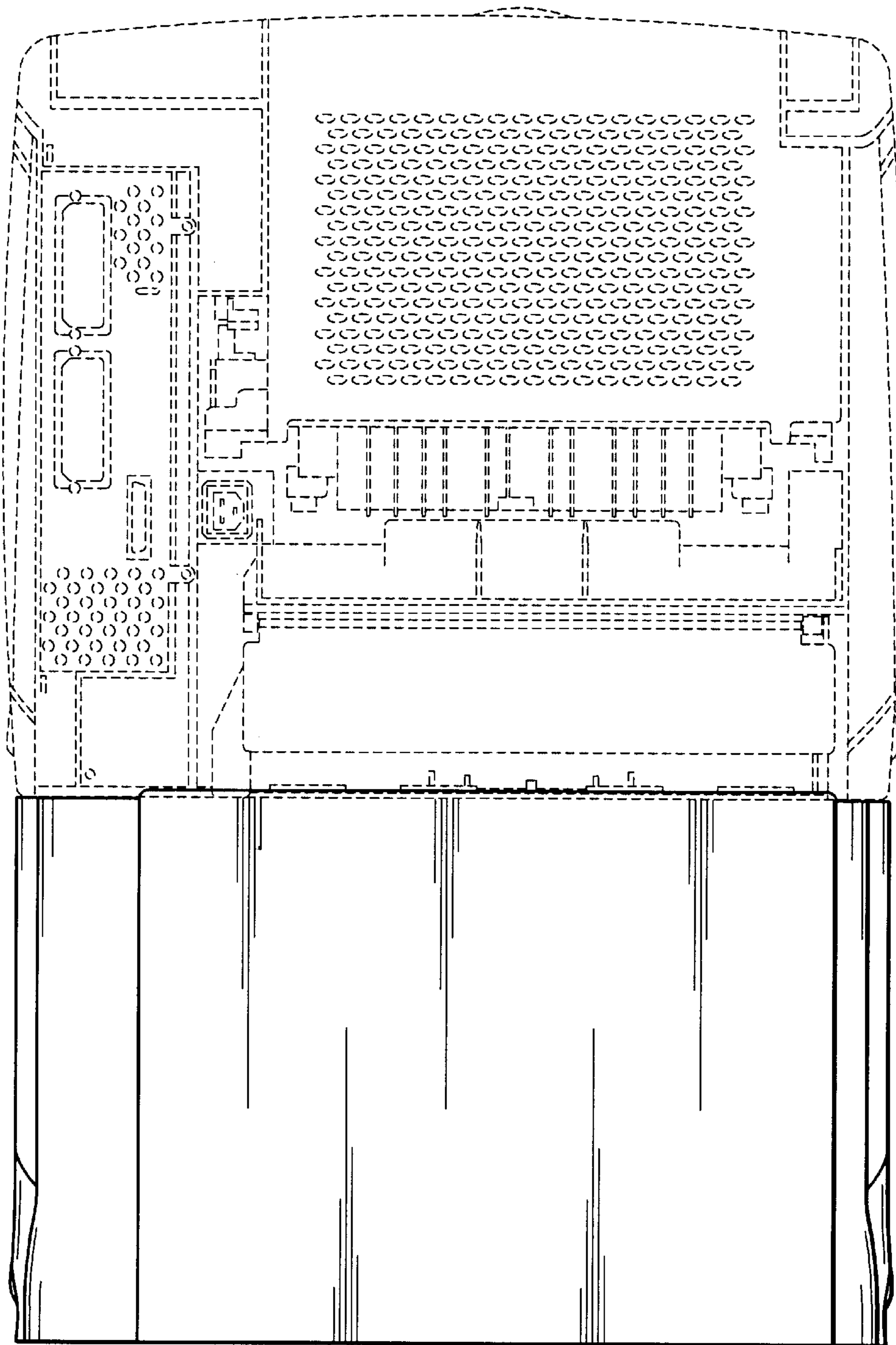


FIG. 5