



US00D475398S

(12) **United States Design Patent**
Todd

(10) **Patent No.:** **US D475,398 S**

(45) **Date of Patent:** **** Jun. 3, 2003**

(54) **DUPLEXER**

(75) **Inventor:** **Douglas John Todd, Boise, ID (US)**

(73) **Assignee:** **Hewlett-Packard Company, Palo Alto, CA (US)**

(**) **Term:** **14 Years**

(21) **Appl. No.:** **29/168,547**

(22) **Filed:** **Oct. 1, 2002**

(51) **LOC (7) Cl.** **18-99**

(52) **U.S. Cl.** **D18/46**

(58) **Field of Search** D18/46-49, 53,
D18/54, 55, 56; 399/16, 25, 308, 361, 364,
374, 401-403; 271/65, 9.12, 175, 10.12,
186

(56) **References Cited**

U.S. PATENT DOCUMENTS

D291,096 S * 7/1987 Yomo D18/55

D330,213 S * 10/1992 Hiroki et al. D18/36
D356,816 S * 3/1995 Cahill et al. D18/49
D416,282 S * 11/1999 Kenmochi D18/46
D431,046 S * 9/2000 Dwyer et al. D18/40

* cited by examiner

Primary Examiner—Caron D. Veynar

(57) **CLAIM**

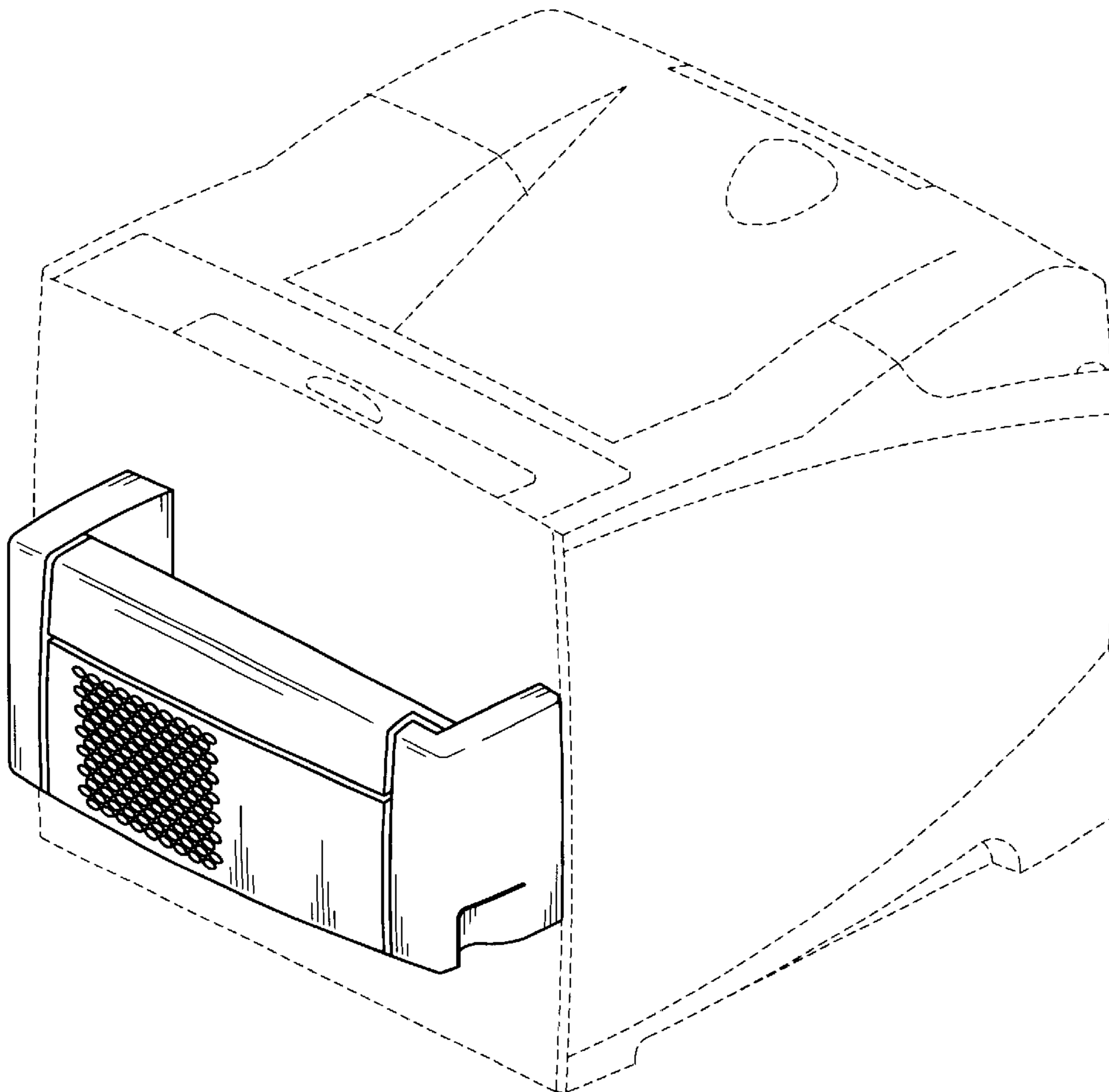
The ornamental design for a duplexer, as shown and described.

DESCRIPTION

FIG. 1 is a right-front perspective view of a duplexer showing the new design;
FIG. 2 is a top view thereof;
FIG. 3 is a right side view thereof;
FIG. 4 is a left side view thereof; and,
FIG. 5 is a front view thereof.

The broken lines shown in FIGS. 1-5 are for illustrative purposes only and form no part of the claimed design.

1 Claim, 5 Drawing Sheets



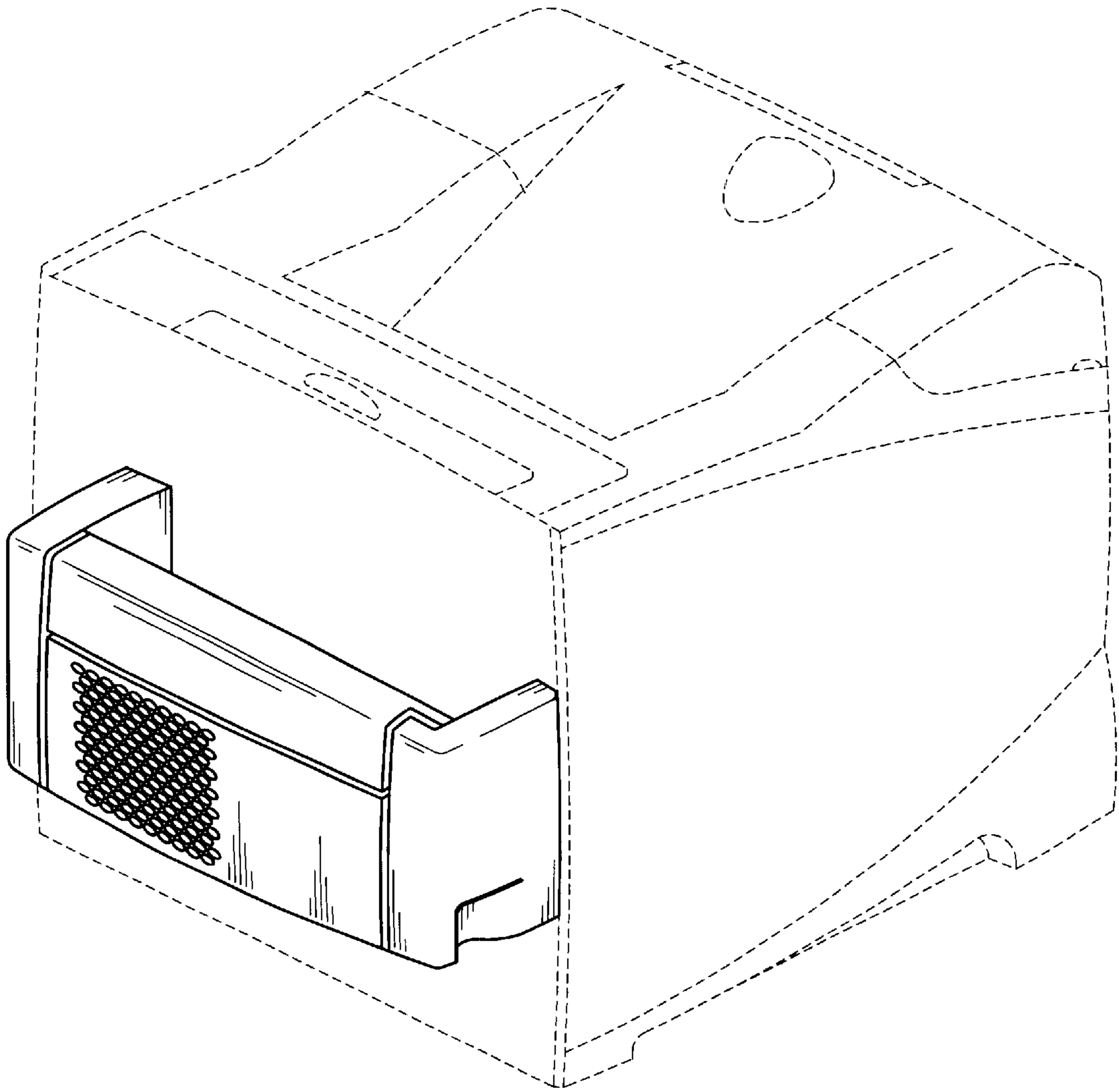


FIG. 1

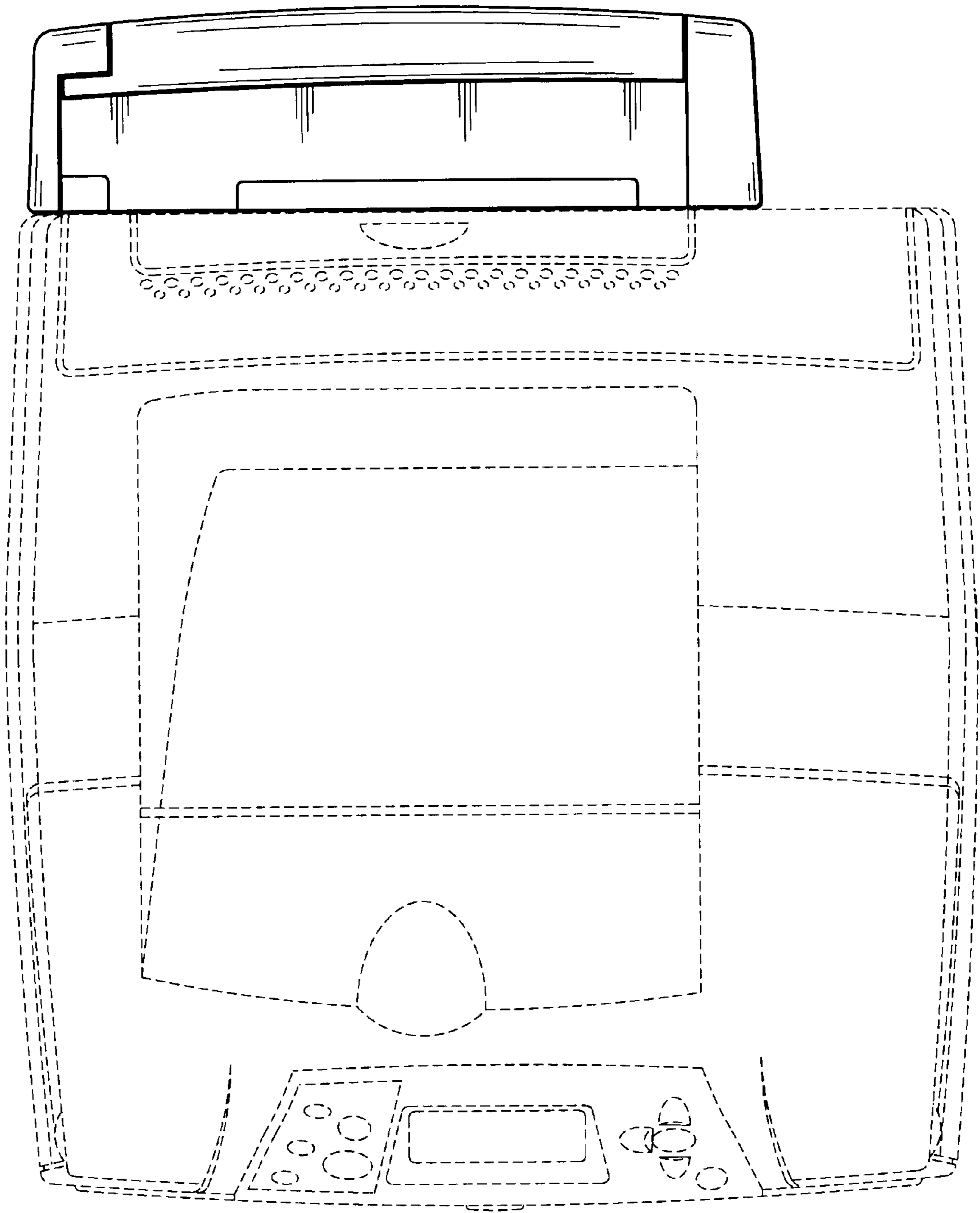


FIG. 2

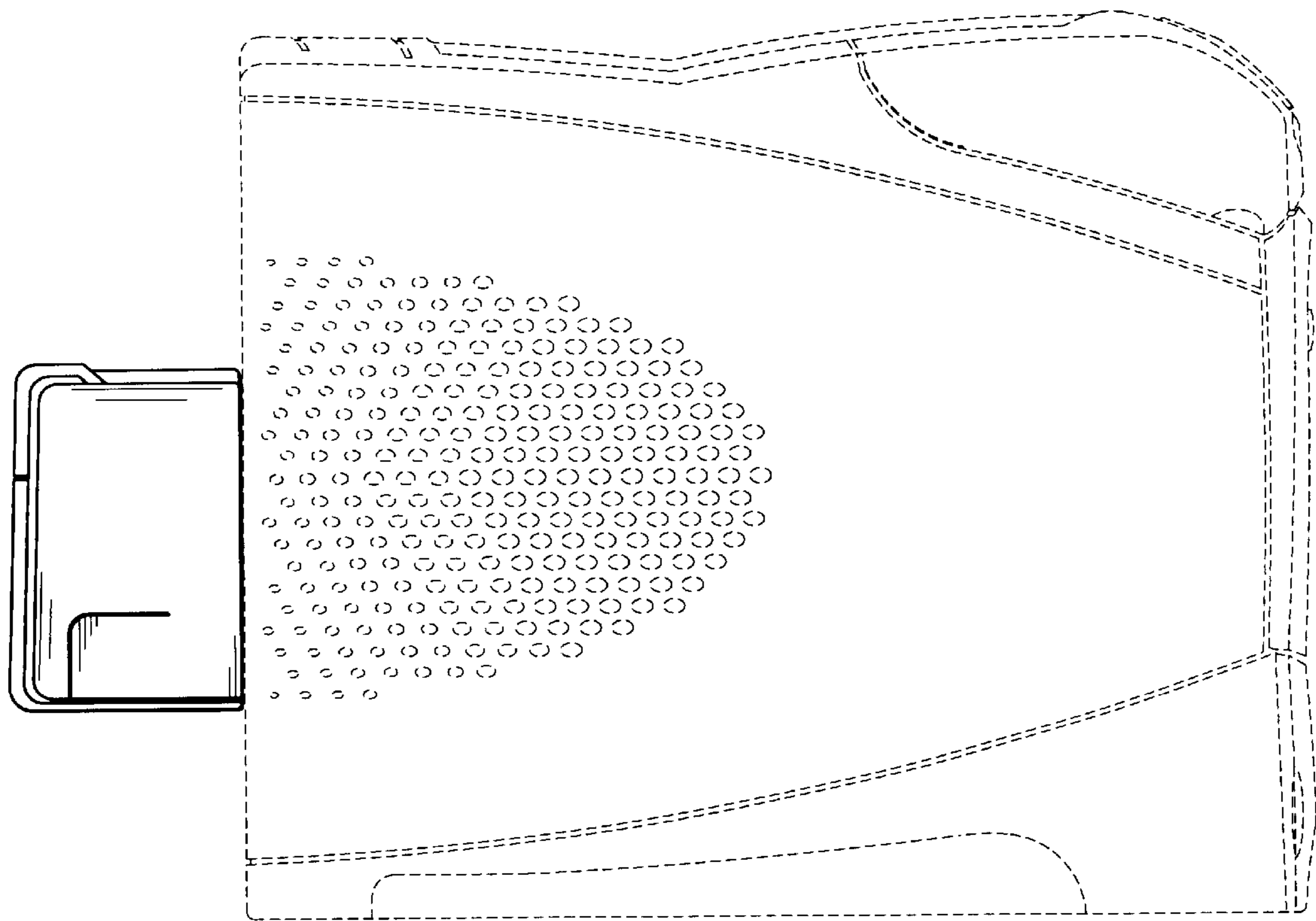


FIG. 3

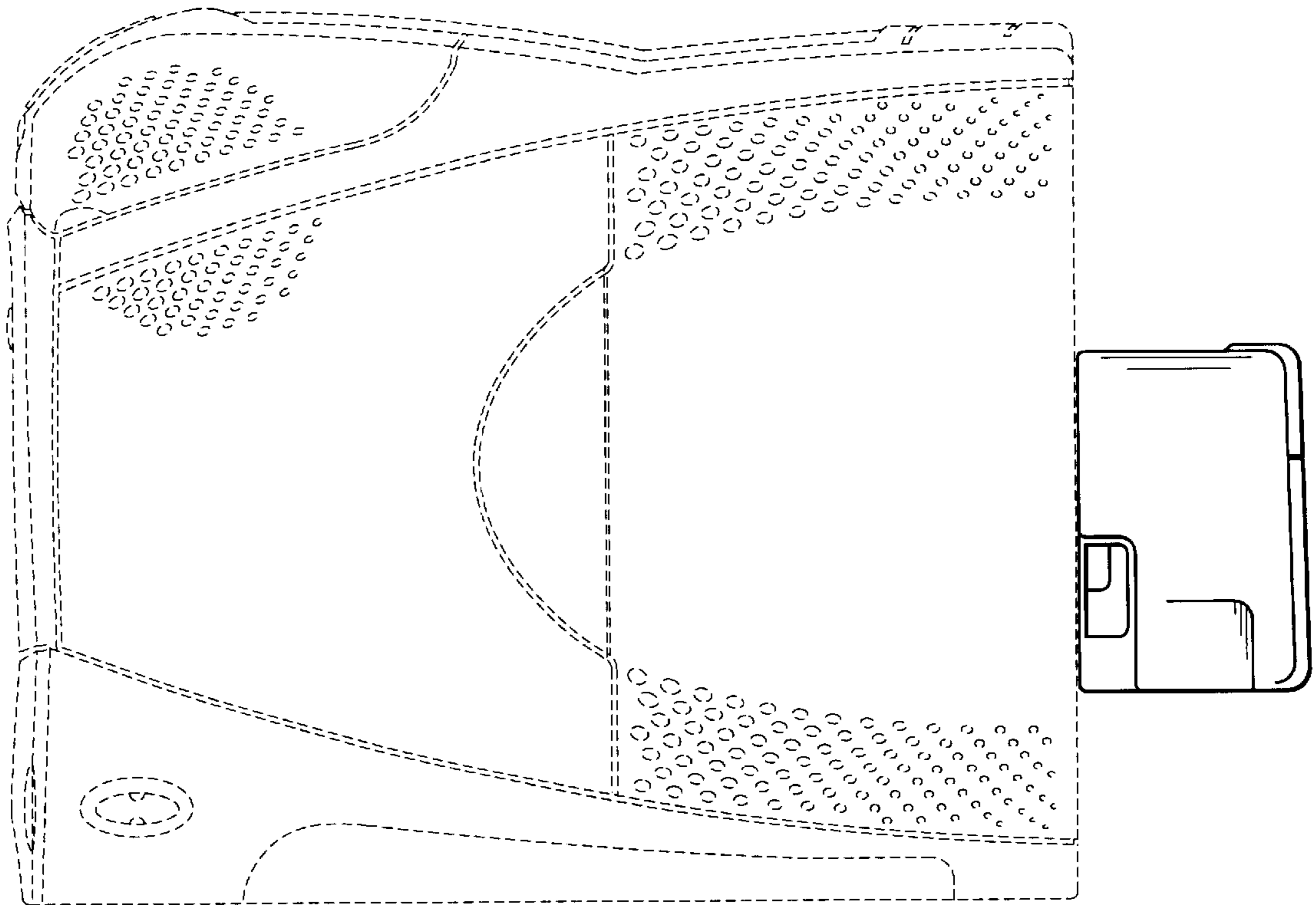


FIG. 4

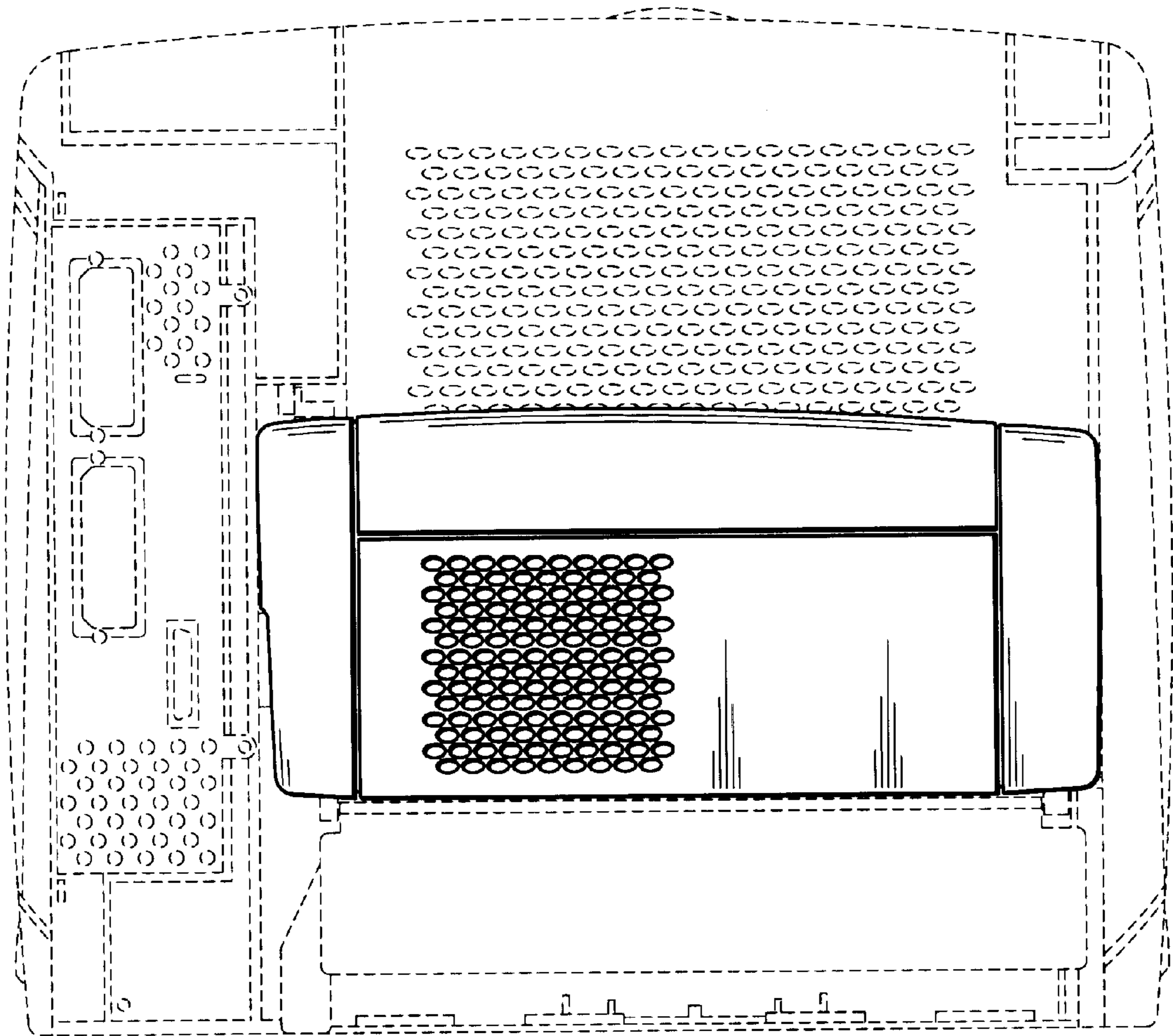


FIG. 5