



US00D475396S

(12) **United States Design Patent**  
**Coppola**

(10) **Patent No.:** **US D475,396 S**

(45) **Date of Patent:** **\*\* Jun. 3, 2003**

(54) **GUITAR BODY**

(76) **Inventor:** **Giuseppe Coppola**, 88 Knox St., Apt. B-5, West Haven, CT (US) 06516

(\*\*) **Term:** **14 Years**

(21) **Appl. No.:** **29/149,022**

(22) **Filed:** **Oct. 2, 2001**

(51) **LOC (7) Cl.** ..... **17-03**

(52) **U.S. Cl.** ..... **D17/14**

(58) **Field of Search** ..... D17/14-15, 18-21, D17/24, 99; 84/9, 267, 290, 293-294, 297 R, 298, 299, 307, 314 R, 354

(56) **References Cited**

**U.S. PATENT DOCUMENTS**

D181,867 S	*	1/1958	McCarty	.....	D17/19
D290,130 S	*	6/1987	Steinberger	.....	D17/14
D290,131 S	*	6/1987	Steinberger	.....	D17/14
D299,650 S	*	1/1989	Mitchell	.....	D14/162

D307,031 S	*	4/1990	Fisher, IV	.....	D17/14
D333,480 S	*	2/1993	Arsenault	.....	D17/19
D418,859 S	*	1/2000	Herbold	.....	D17/20

\* cited by examiner

*Primary Examiner*—Ruth McInroy  
(74) *Attorney, Agent, or Firm*—G. Coppola

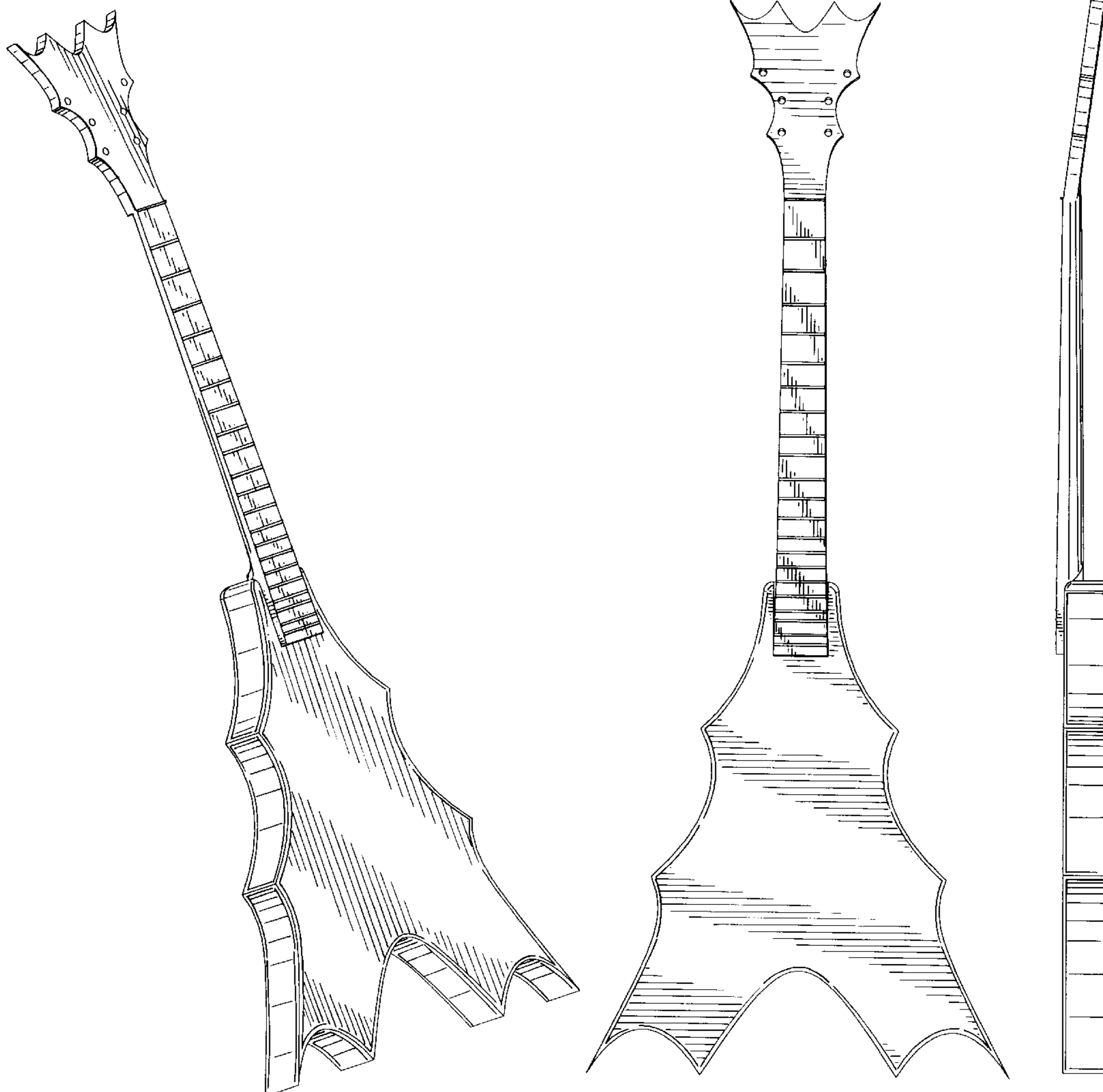
(57) **CLAIM**

The ornamental design for a guitar body, as shown.

**DESCRIPTION**

FIG. 1 is a front perspective view of a guitar body showing my new design;  
FIG. 2 is a front elevational view thereof;  
FIG. 3 is a right side elevational view thereof;  
FIG. 4 is a rear elevational view thereof;  
FIG. 5 is a top plan view thereof; and,  
FIG. 6 is a bottom plan view thereof.

**1 Claim, 4 Drawing Sheets**



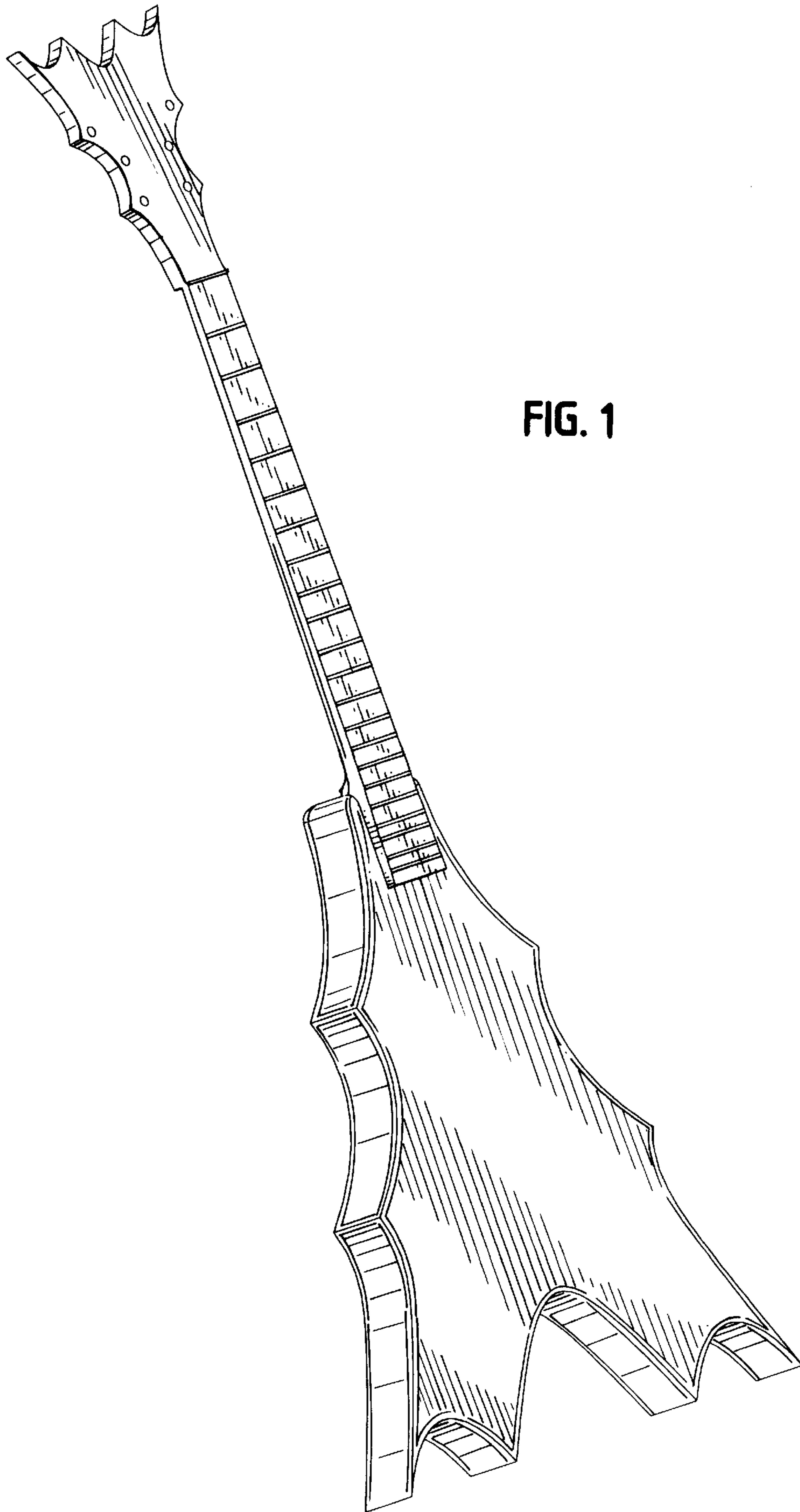


FIG. 1

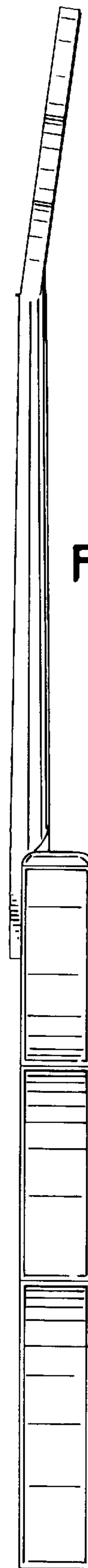
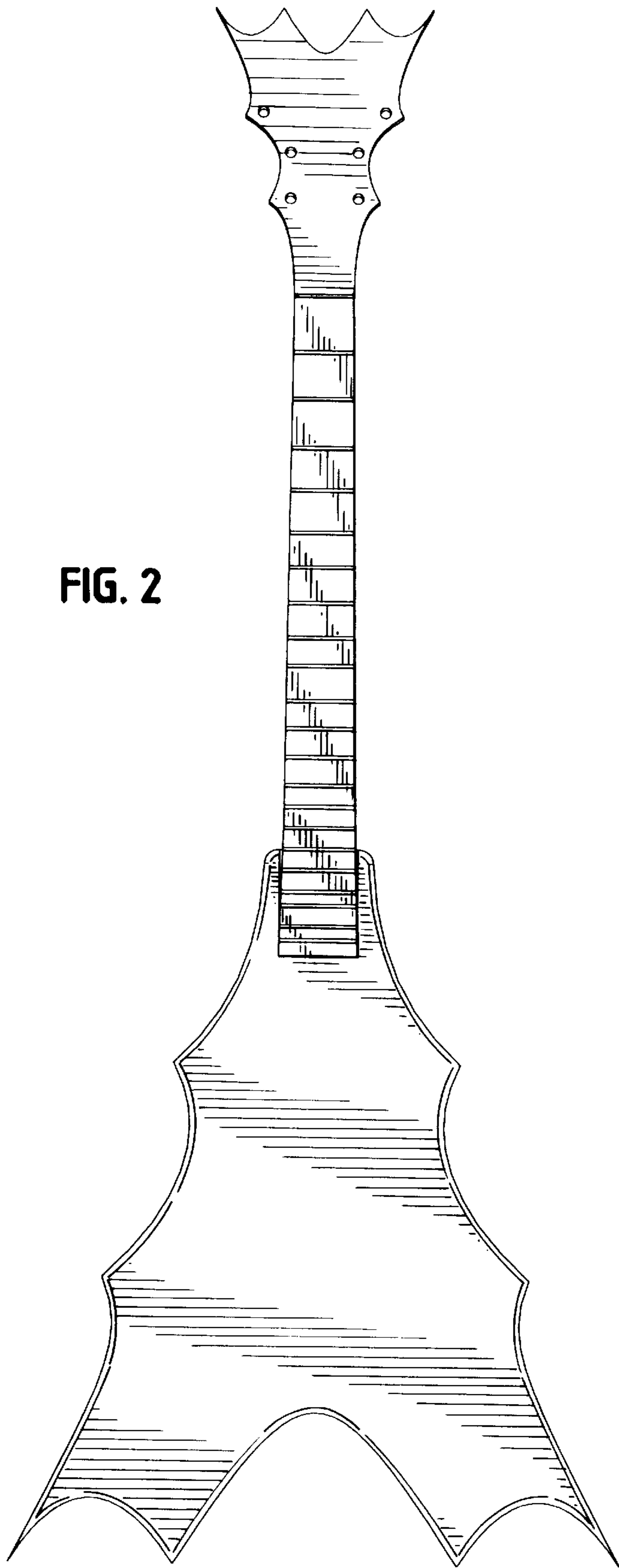
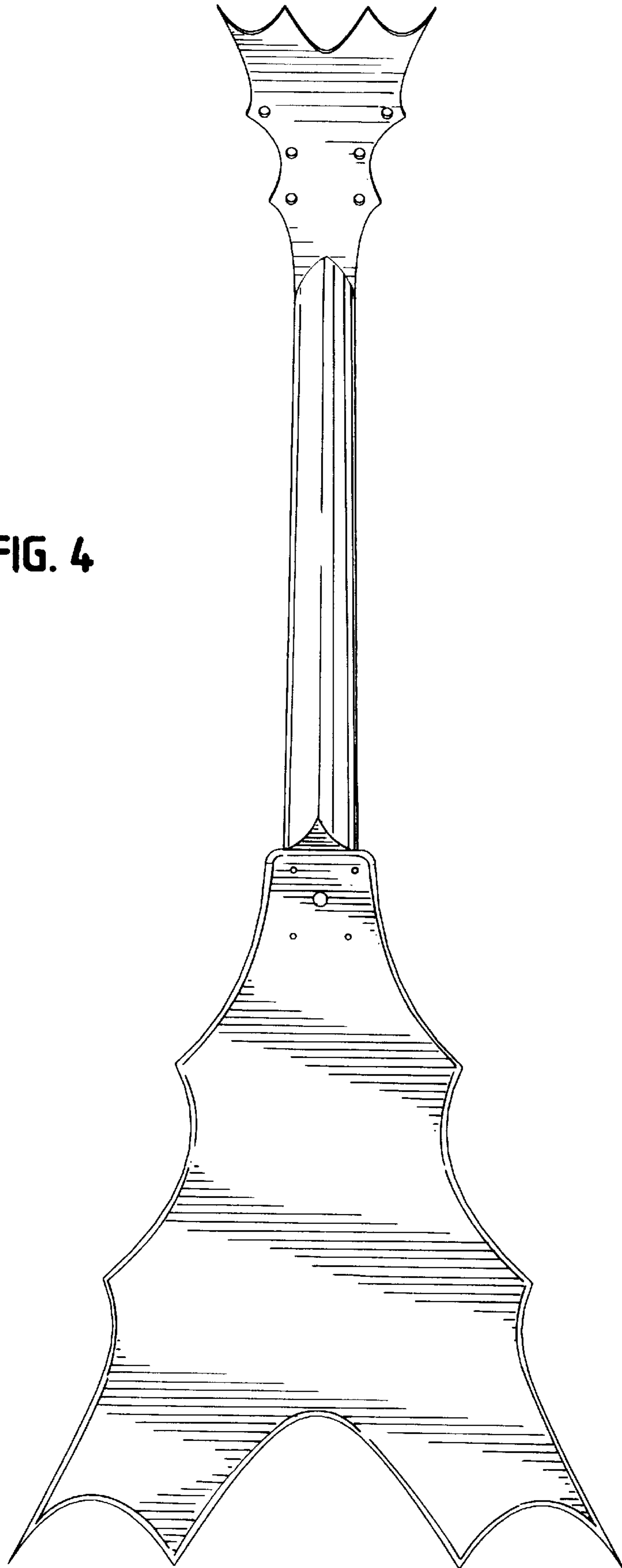
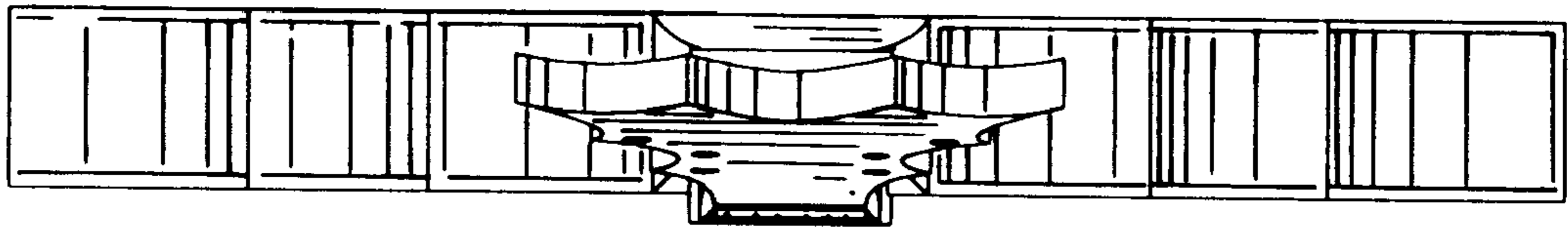


FIG. 4



**FIG. 5**



**FIG. 6**

