



US00D475395S

(12) **United States Design Patent**
Lee

(10) **Patent No.:** **US D475,395 S**

(45) **Date of Patent:** **** Jun. 3, 2003**

(54) **EYEWEAR TEMPLE**

(76) **Inventor:** **Shu-Min Lee**, No. 57, Kao-Kuang-Liu St., Yangkang City, Tainan Hsien (TW)

(**) **Term:** **14 Years**

(21) **Appl. No.:** **29/157,198**

(22) **Filed:** **Mar. 13, 2002**

(51) **LOC (7) Cl.** **16-06**

(52) **U.S. Cl.** **D16/335**

(58) **Field of Search** D16/300-330,
D16/335; D29/109, 110; 351/41, 44, 51,
52, 111, 116, 118-122, 158; 2/447, 448

(56) **References Cited**

U.S. PATENT DOCUMENTS

D329,445 S	*	9/1992	Jannard	D16/314
5,638,147 A	*	6/1997	Wang-Lee	351/120
5,661,535 A	*	8/1997	Wang	351/111
5,796,461 A	*	8/1998	Stepan	351/41

D457,552 S	*	5/2002	Lee	D16/315
D458,293 S	*	6/2002	Lee	D16/314
D462,081 S	*	8/2002	Wolfe	D16/314
D462,980 S	*	9/2002	Wolfe	D16/315

* cited by examiner

Primary Examiner—Raphael Barkai

(74) *Attorney, Agent, or Firm*—Jackson Walker L.L.P.

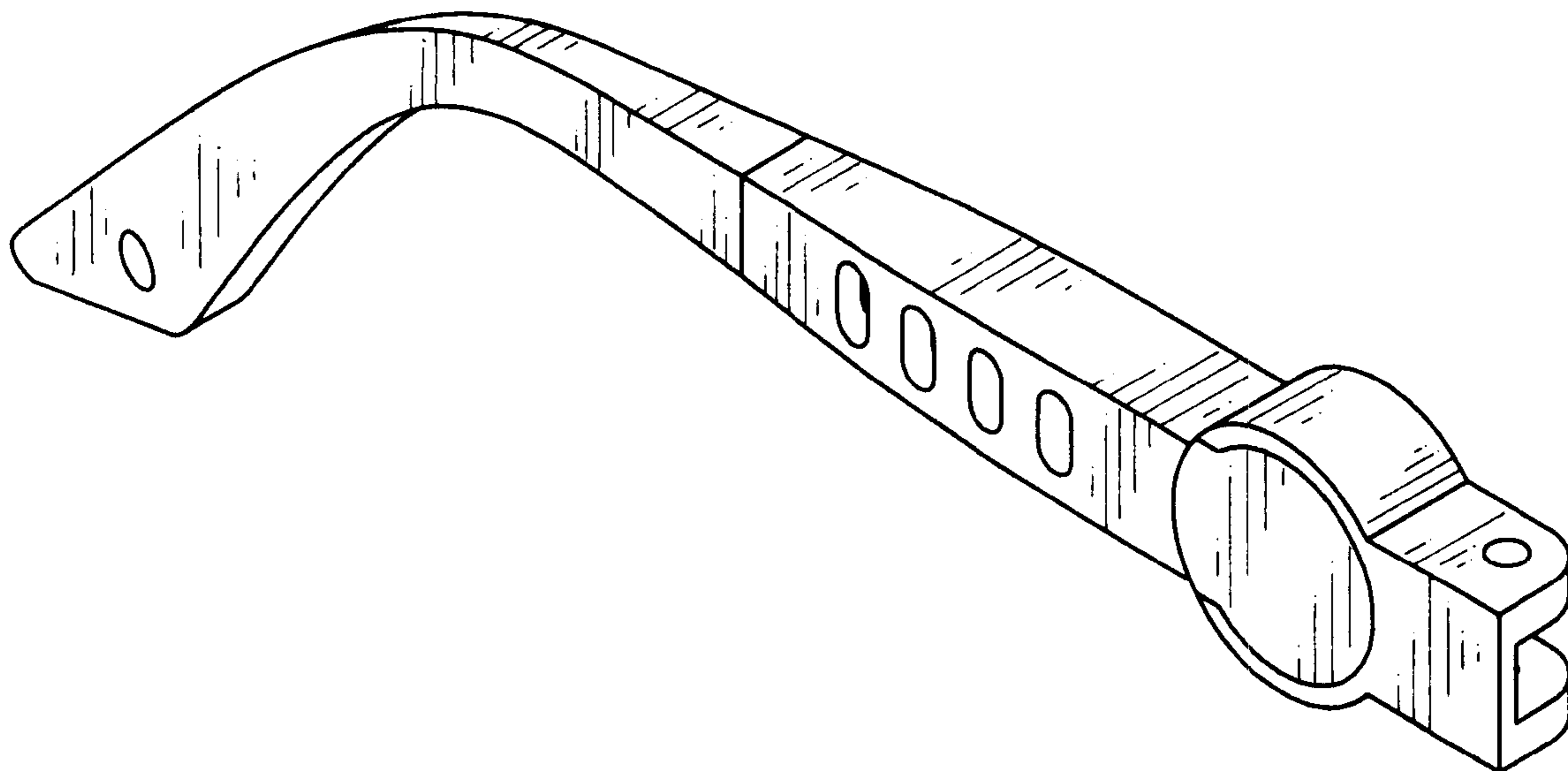
(57) **CLAIM**

The ornamental design for an eyewear temple, as shown.

DESCRIPTION

FIG. 1 is a front-right-top perspective view of an eyewear temple, showing my new design;
FIG. 2 is a front elevational view thereof;
FIG. 3 is a rear elevational view thereof;
FIG. 4 is a left elevational view thereof;
FIG. 5 is a right elevational view thereof;
FIG. 6 is top plan view thereof; and,
FIG. 7 is a bottom plan view thereof.

1 Claim, 4 Drawing Sheets



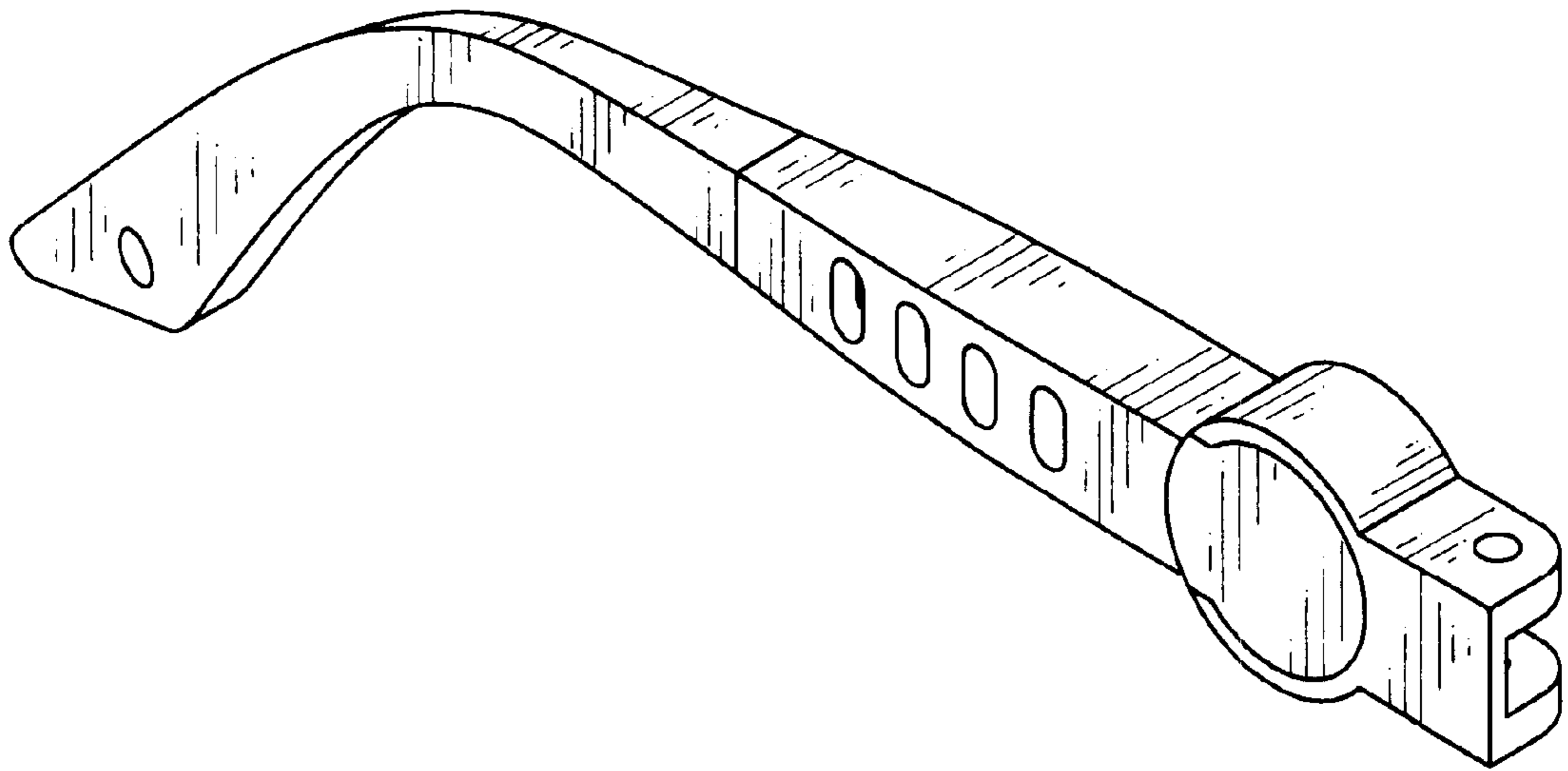


FIG. 1

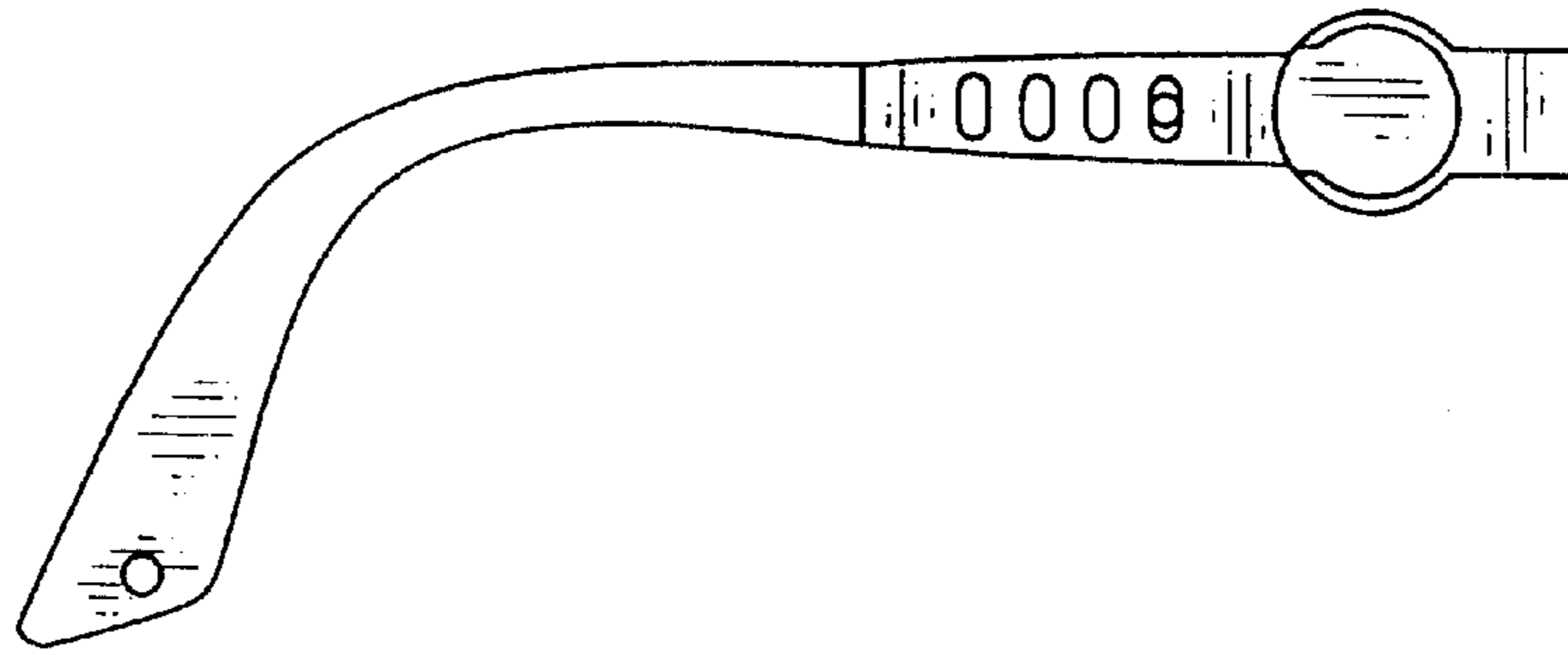


FIG. 2

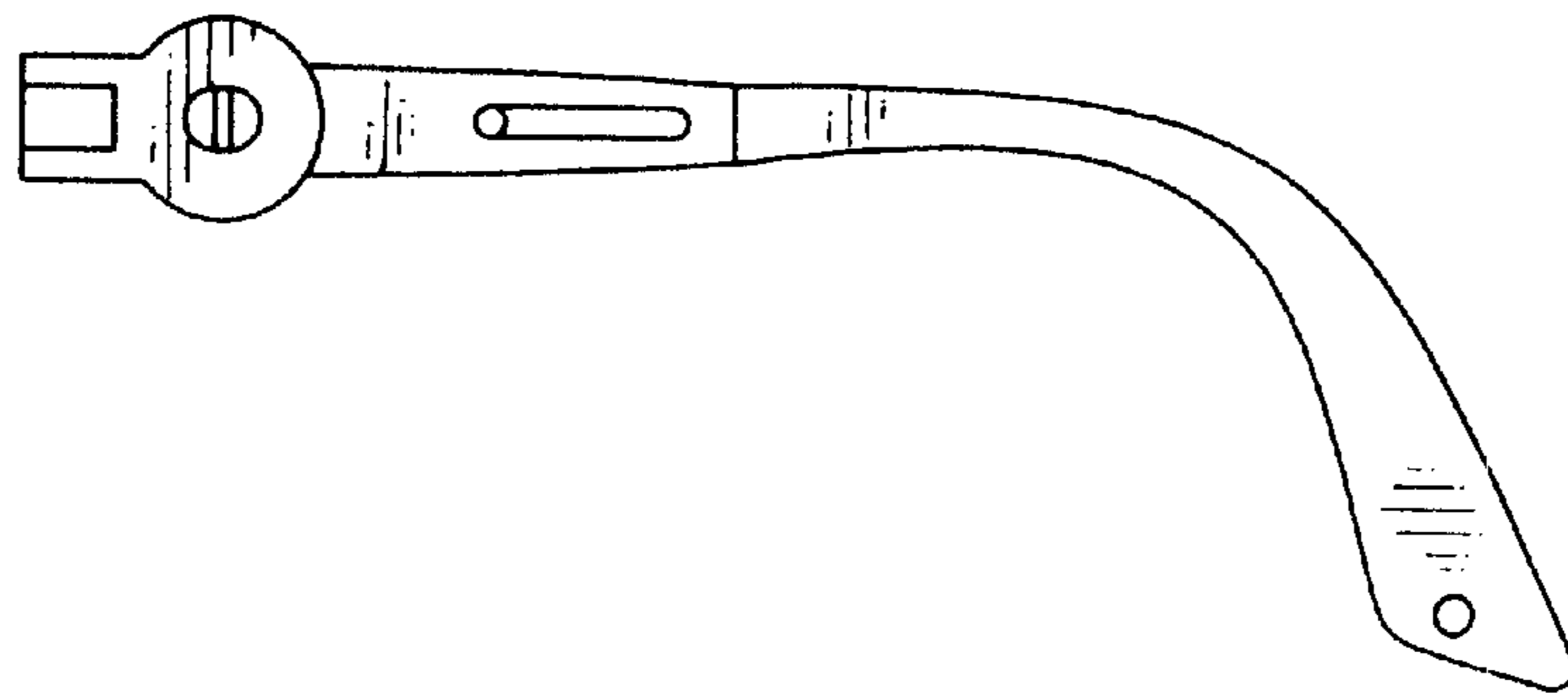


FIG. 3

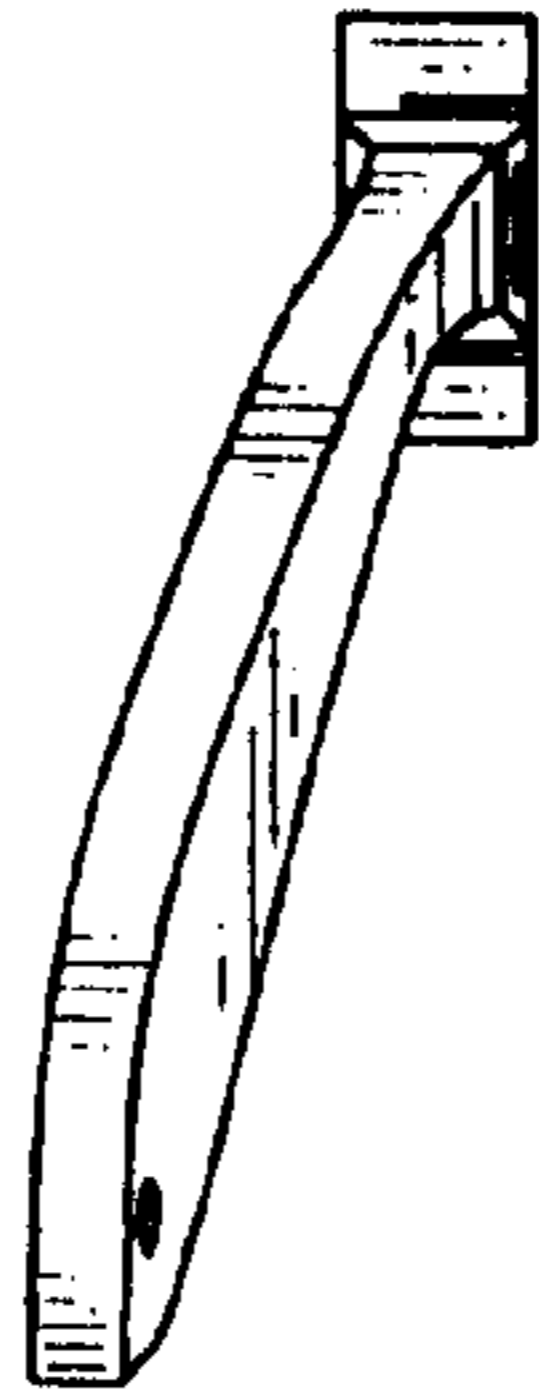


FIG. 4

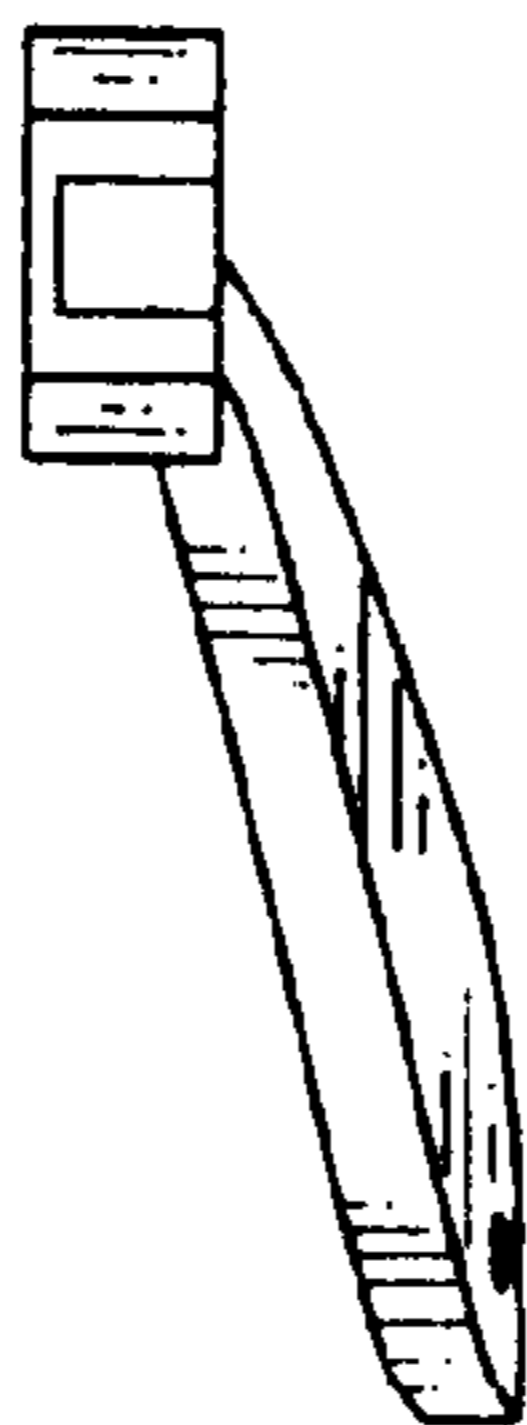


FIG. 5

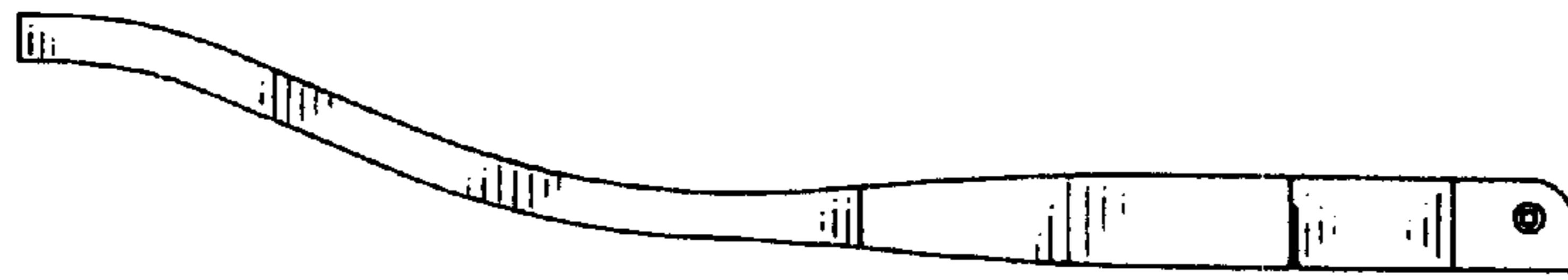


FIG. 6



FIG. 7