



US00D475386S

(12) **United States Design Patent**
Staton et al.

(10) **Patent No.:** **US D475,386 S**

(45) **Date of Patent:** **** Jun. 3, 2003**

(54) **FLASH CAMERA**

(75) Inventors: **John M. Staton**, Fairport, NY (US);
Edward N. Balling, Rochester, NY
(US); **Sunny C. Kim**, Rochester, NY
(US)

(73) Assignee: **Eastman Kodak Company**, Rochester,
NY (US)

(**) Term: **14 Years**

(21) Appl. No.: **29/163,911**

(22) Filed: **Jul. 15, 2002**

(51) **LOC (7) Cl.** **16-01**

(52) **U.S. Cl.** **D16/209**

(58) **Field of Search** D16/200–205,
D16/208, 209, 212, 213, 218; 396/6, 7,
535–541

(56) **References Cited**

U.S. PATENT DOCUMENTS

D369,820 S * 5/1996 Chapman et al. D16/209
D375,110 S * 10/1996 McBride et al. D16/209
D399,227 S * 10/1998 Chapman et al. D16/209

D399,229 S * 10/1998 Solomon et al. D16/209

D404,049 S * 1/1999 Solomon et al. D16/209

D405,814 S * 2/1999 Solomon et al. D16/209

6,442,346 B1 * 8/2002 Constable et al. 396/6

6,493,509 B1 * 12/2002 Casillas et al. 396/6

* cited by examiner

Primary Examiner—Adir Aronovich

(74) *Attorney, Agent, or Firm*—Roland R. Schindler, II

(57) **CLAIM**

The ornamental design for a flash camera, as shown and described.

DESCRIPTION

The design is embodied as a flash camera which is used for capturing images of a scene.

FIG. 1 is a front right top perspective view of the camera;

FIG. 2 is a back bottom left perspective view of the camera;

FIG. 3 is a front elevational view of the camera;

FIG. 4 is a rear elevational view of the camera;

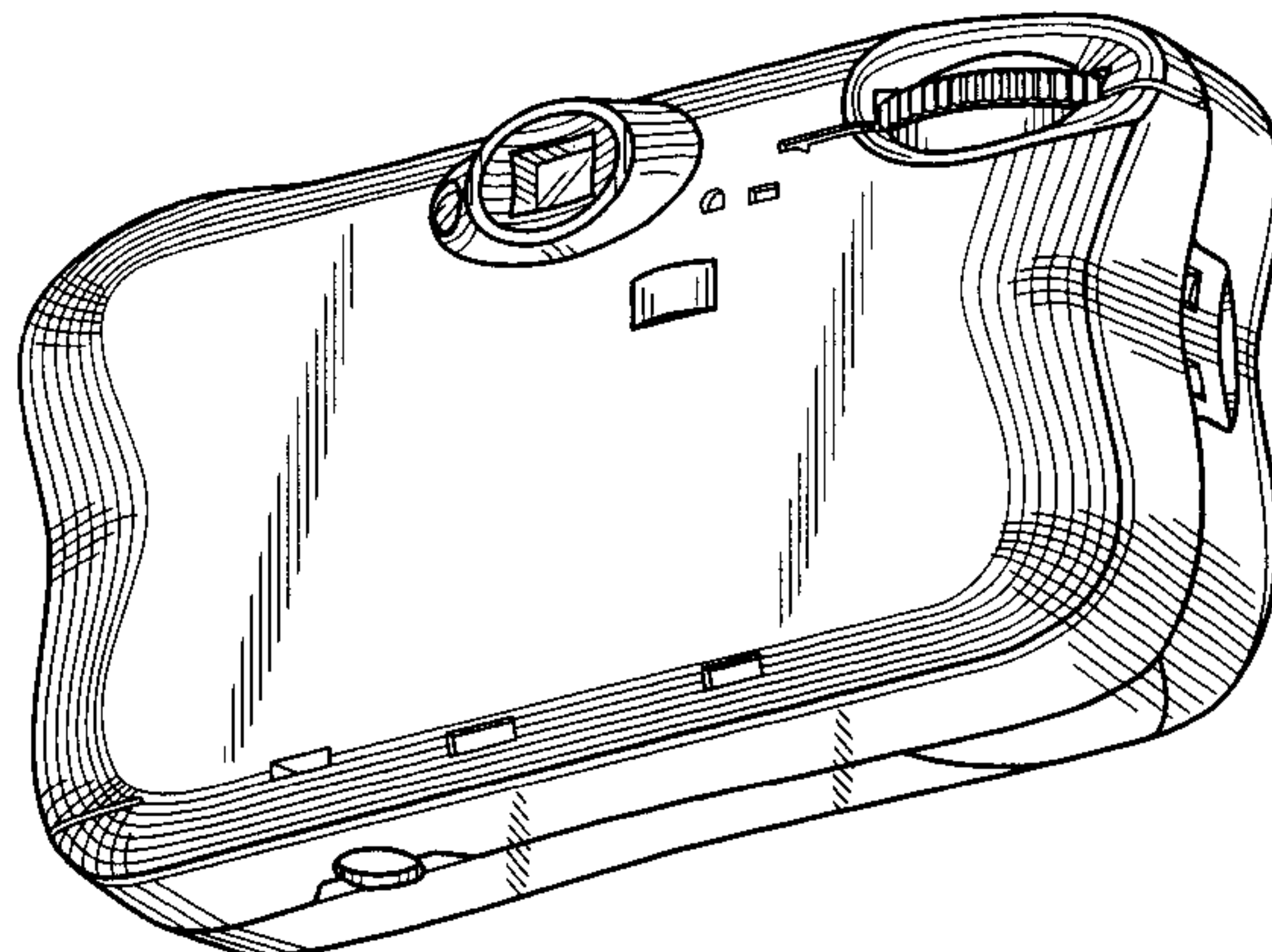
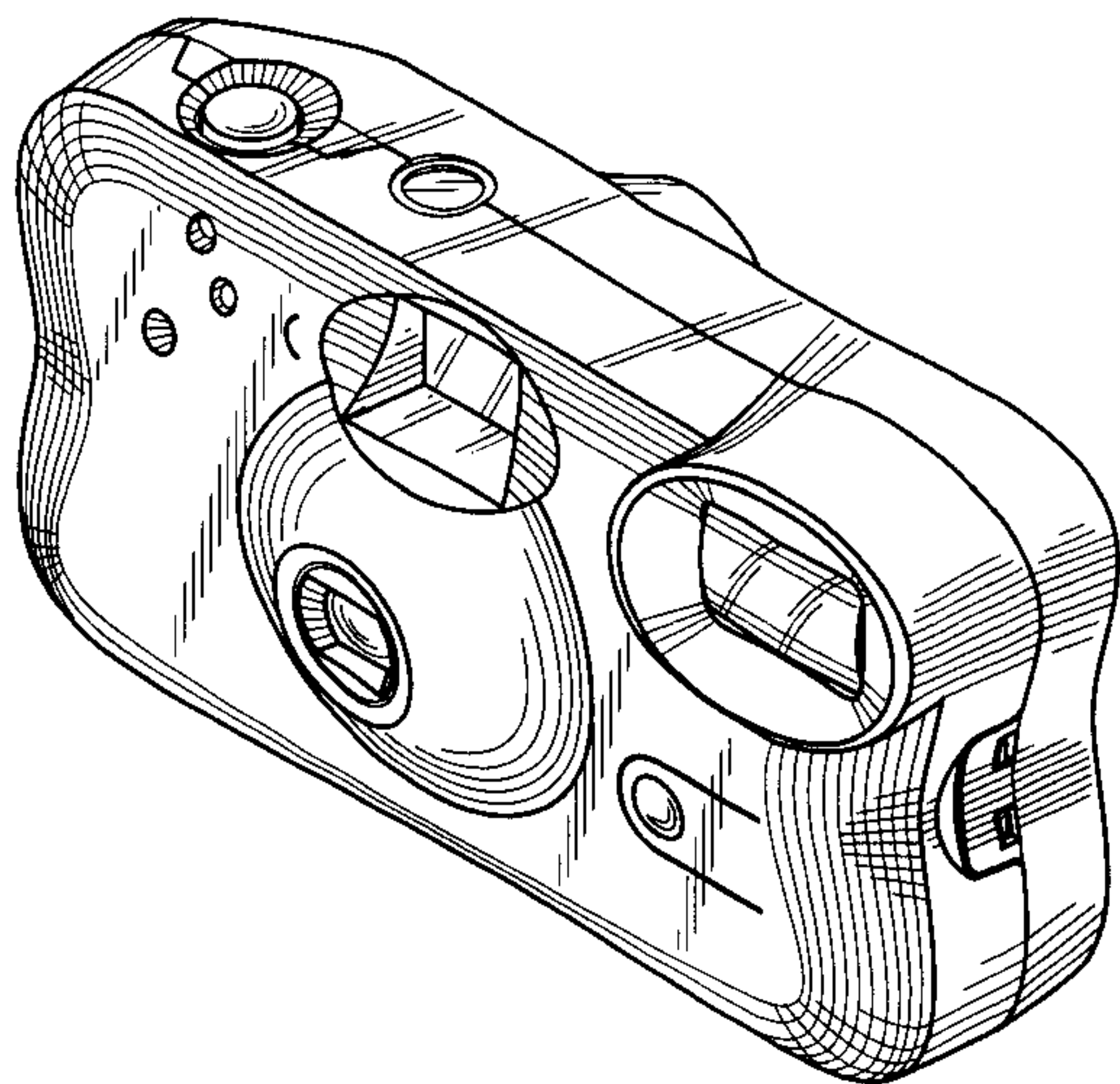
FIG. 5 is a top plan view of the camera;

FIG. 6 is a bottom plan view of the camera;

FIG. 7 is a right side elevational view of the camera; and,

FIG. 8 is a left side elevational view of the camera.

1 Claim, 6 Drawing Sheets



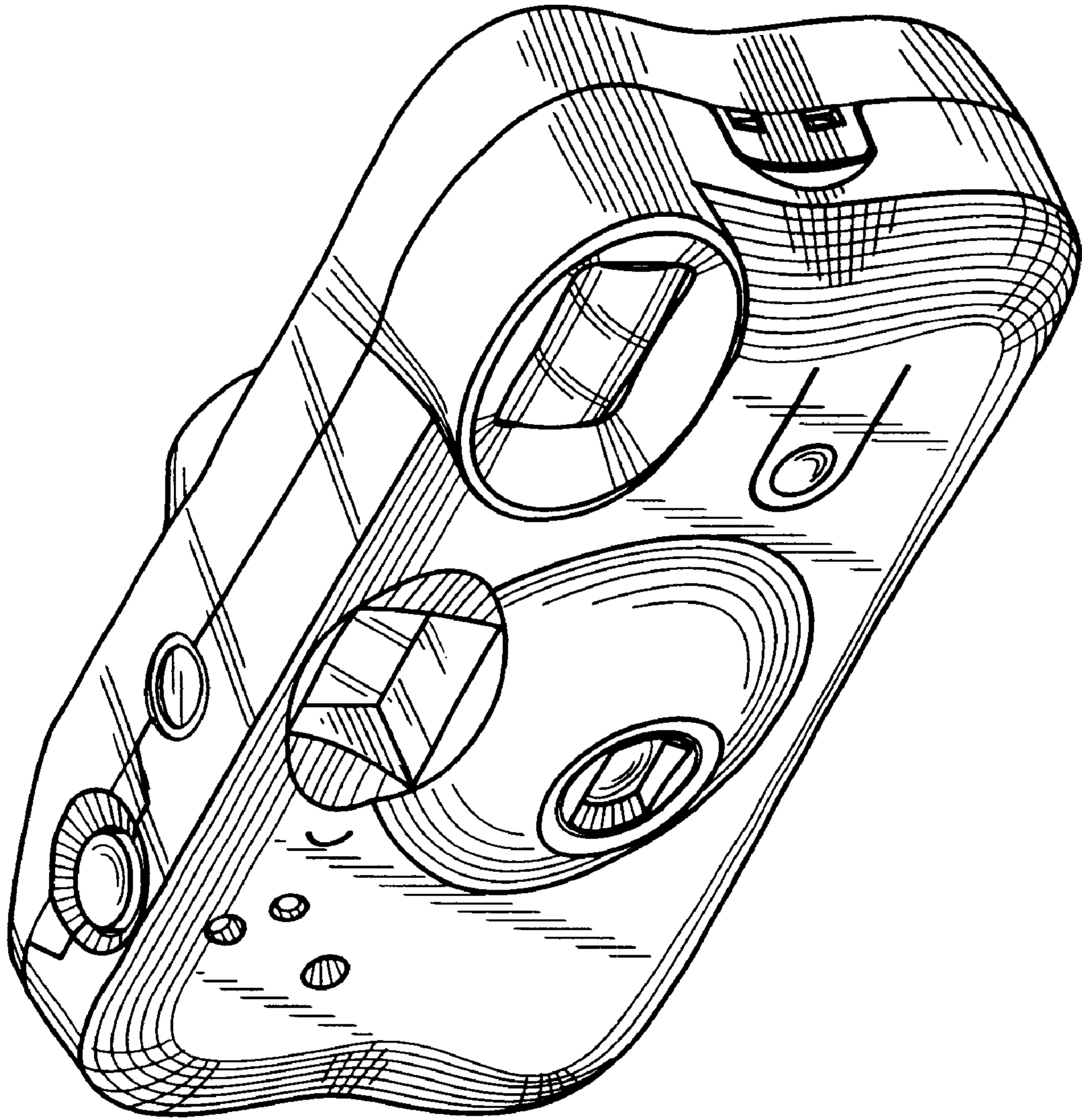


FIG. 1

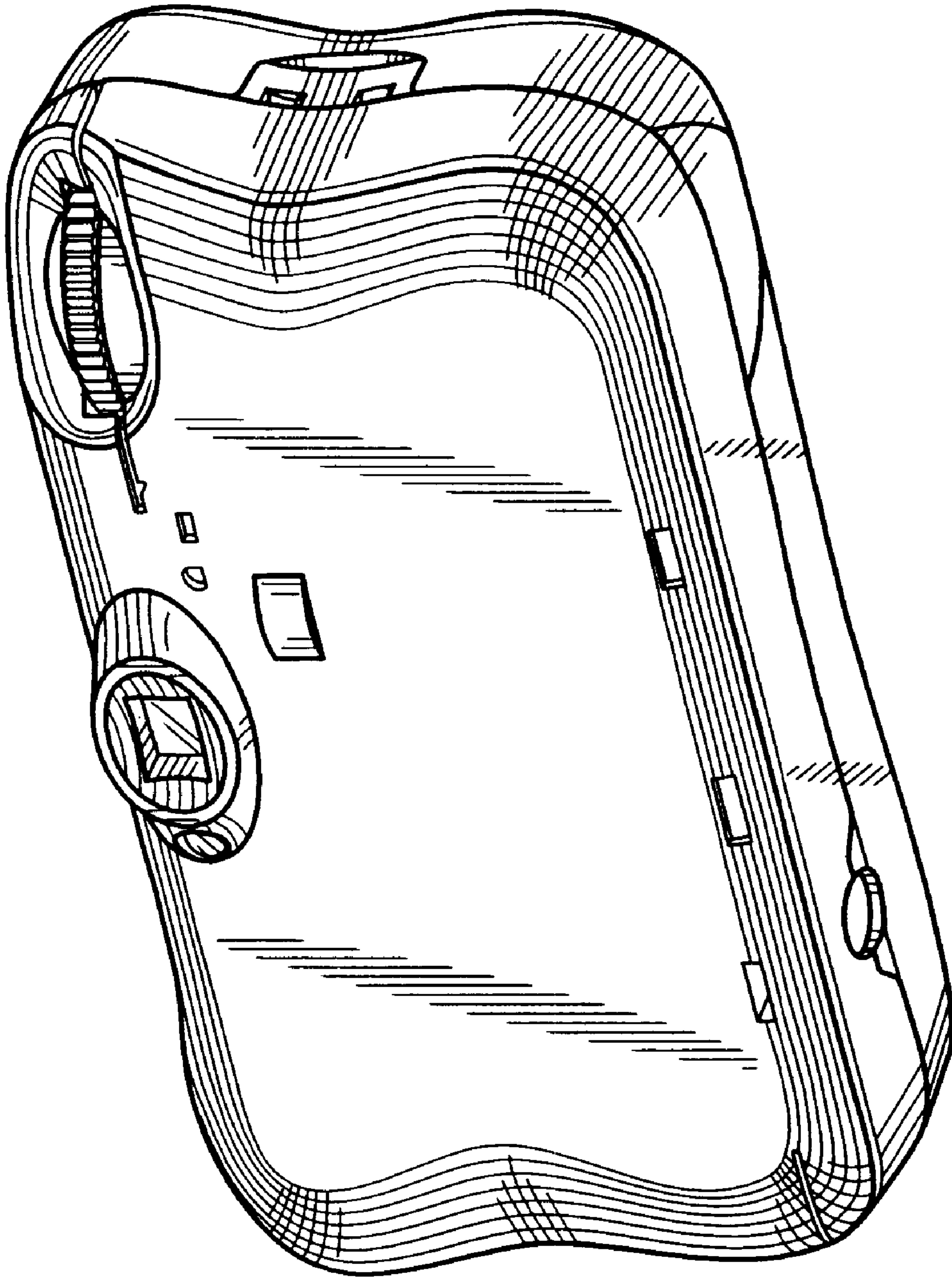


FIG. 2

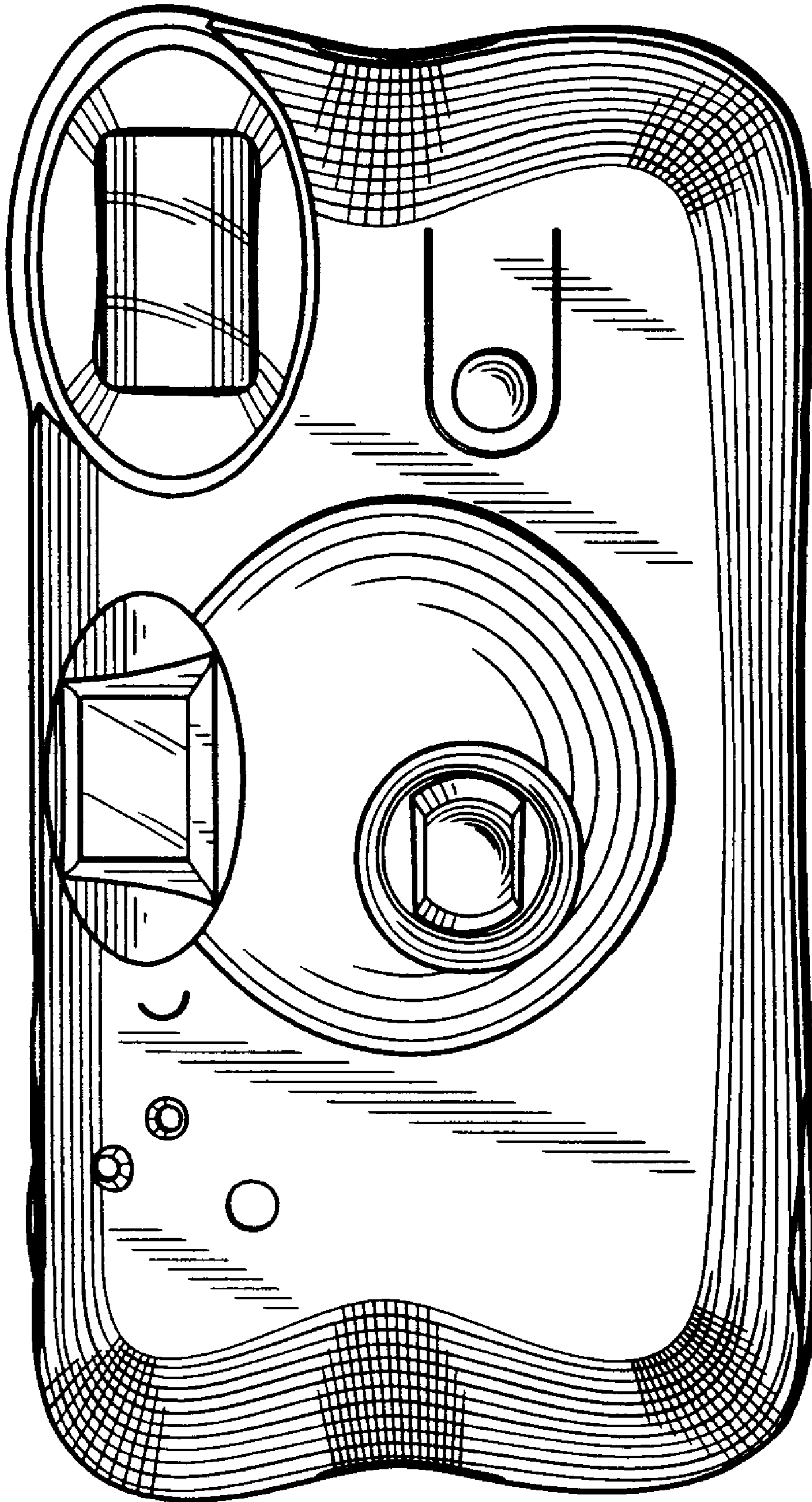


FIG. 3

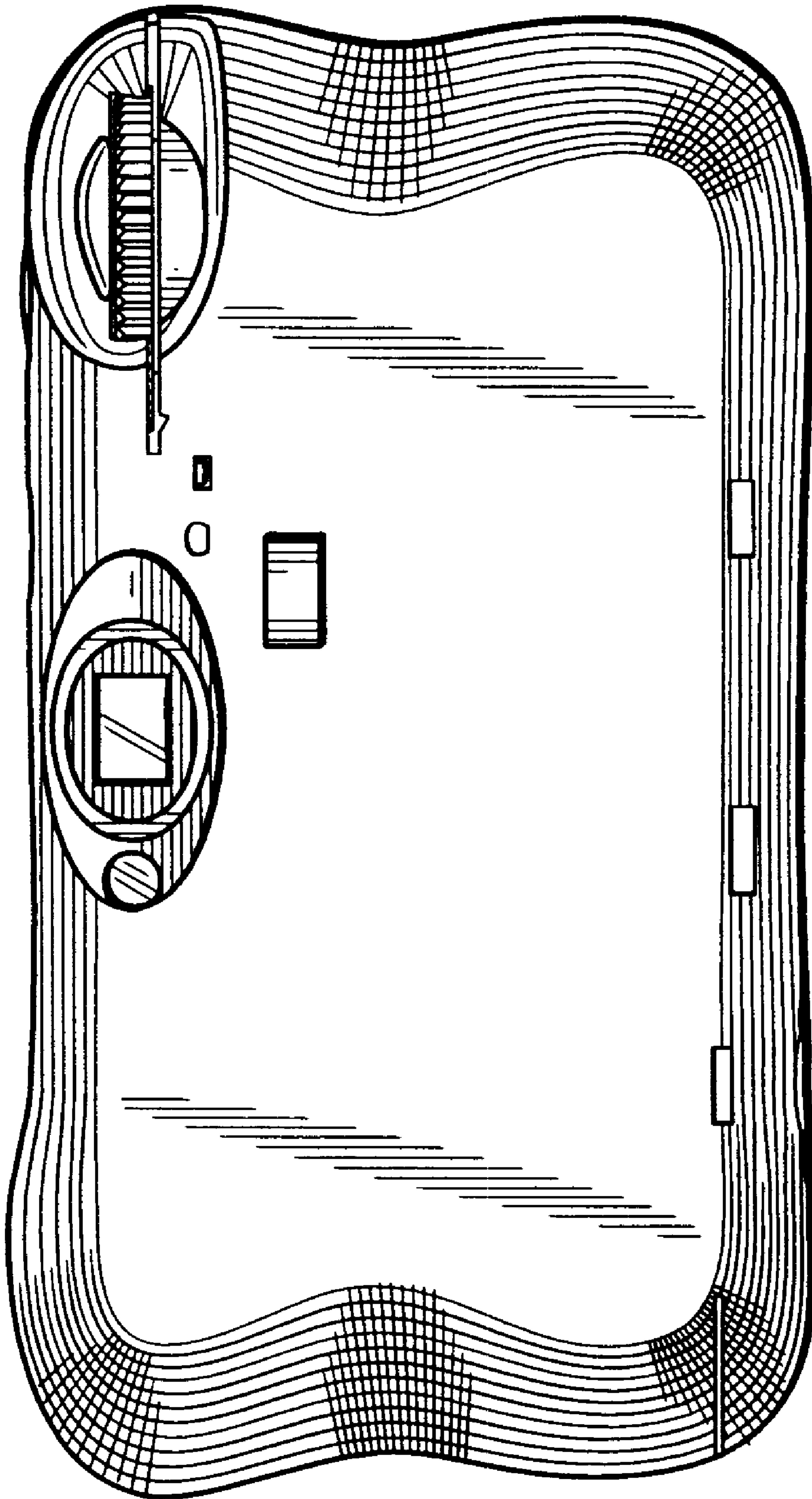


FIG. 4

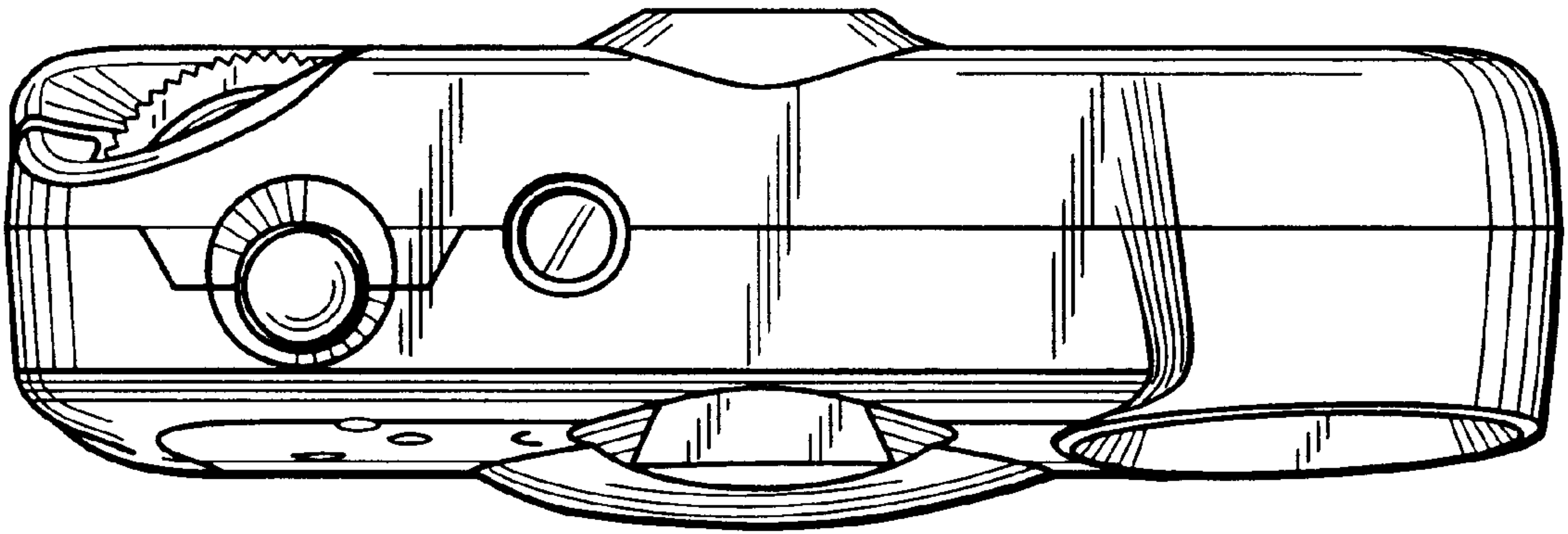


FIG. 5

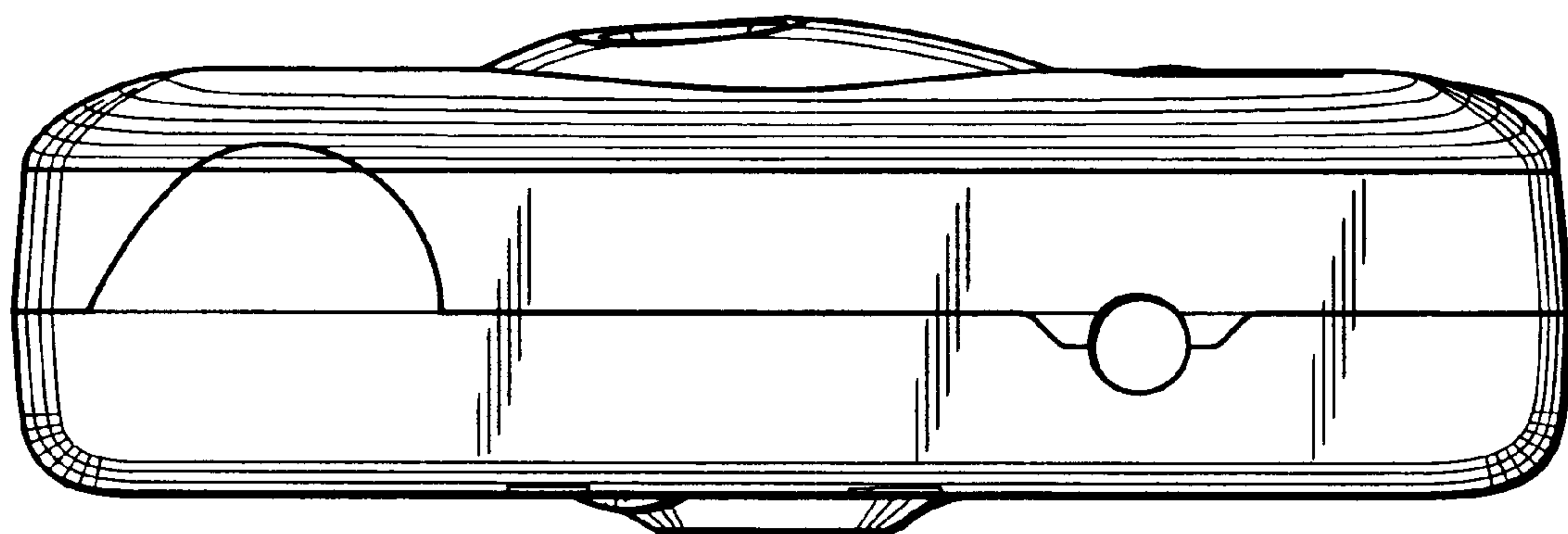


FIG. 6

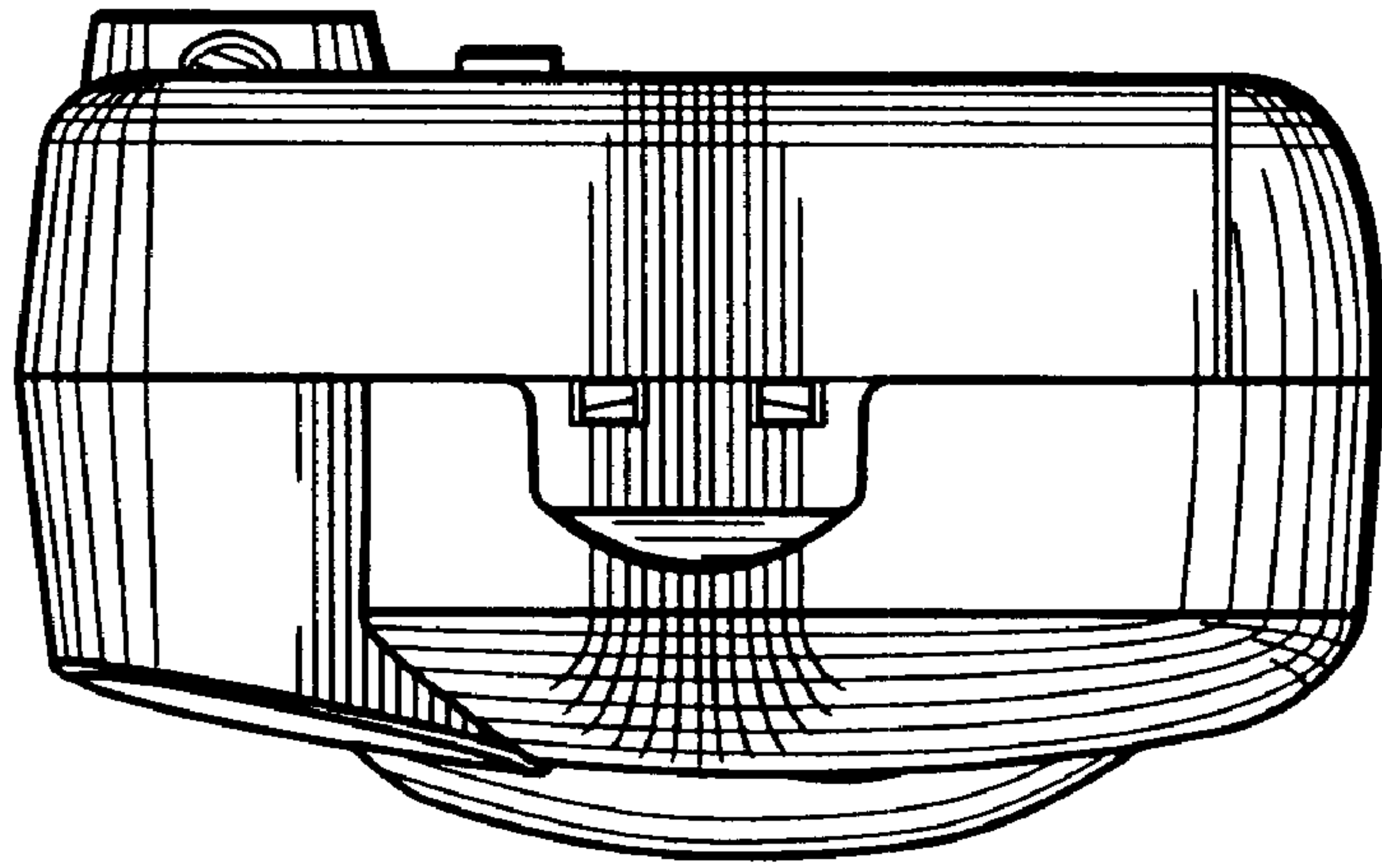


FIG. 8

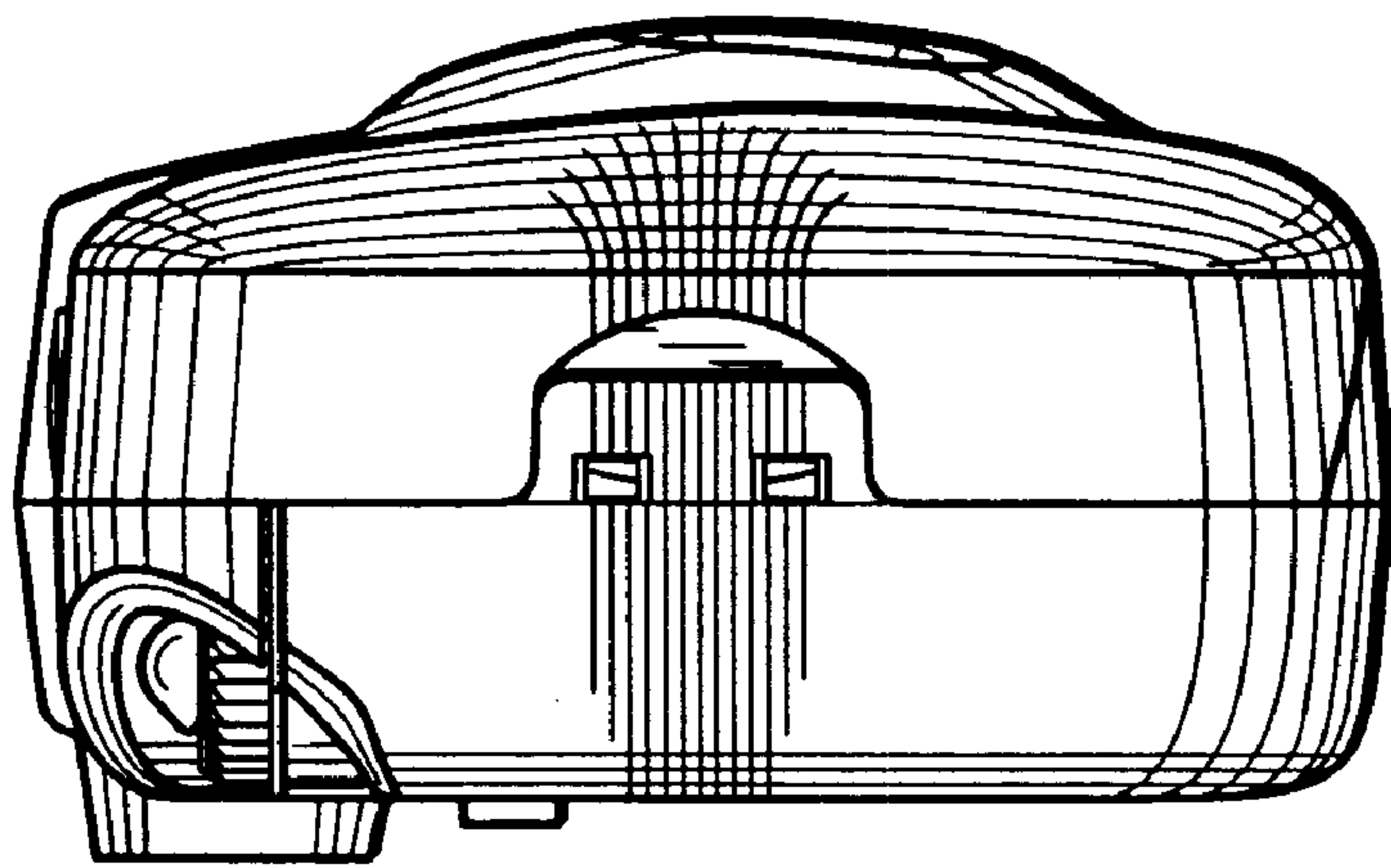


FIG. 7