



US00D475385S

(12) **United States Design Patent**  
**Christianson**

(10) **Patent No.:** **US D475,385 S**

(45) **Date of Patent:** **\*\* Jun. 3, 2003**

(54) **TRANSMITTER/CAMERA**

(76) Inventor: **Tristan M. Christianson**, 650 Davis St., San Francisco, CA (US) 94111-1904

(\*\*) Term: **14 Years**

(21) Appl. No.: **29/169,594**

(22) Filed: **Oct. 23, 2002**

(51) **LOC (7) Cl.** ..... **16-01**

(52) **U.S. Cl.** ..... **D16/202; D16/203**

(58) **Field of Search** ..... **D16/200-205, D16/208, 218; 348/14.01-14.1, 373-376; 396/419, 427, 535-541**

(56) **References Cited**

**U.S. PATENT DOCUMENTS**

D390,244 S	*	2/1998	Yamakawa et al.	.....	D16/202
D394,274 S	*	5/1998	Suzuki	.....	D16/202
D430,587 S	*	9/2000	Summit	.....	D16/202
D441,000 S	*	4/2001	Vanderwilt et al.	.....	D16/202
D442,202 S	*	5/2001	Pfeifer et al.	.....	D16/202
2002/0001469 A1	*	1/2002	Prather et al.	.....	396/419

**FOREIGN PATENT DOCUMENTS**

JP 30-0259724 \* 5/2000

**OTHER PUBLICATIONS**

Web page [www.logitech.com/us/cameras/ca29](http://www.logitech.com/us/cameras/ca29) Sep. 28, 1999 (Quick Cam VC).\*

\* cited by examiner

*Primary Examiner*—Adir Aronovich  
(74) *Attorney, Agent, or Firm*—Fliesler Dubb Meyer & Lovejoy LLP

(57) **CLAIM**

The ornamental design for a transmitter/camera, as shown and described.

**DESCRIPTION**

FIG. 1 is a front closed perspective view of a transmitter/camera showing my new design;

FIG. 2 is a rear closed perspective view thereof;

FIG. 3 is a front closed view thereof;

FIG. 4 is a rear closed view thereof;

FIG. 5 is a top closed view thereof;

FIG. 6 is a bottom closed view thereof;

FIG. 7 is a left closed side view thereof; The right closed side view is a mirror image and not shown;

FIG. 8 is a front open perspective view thereof;

FIG. 9 is a rear open perspective view thereof;

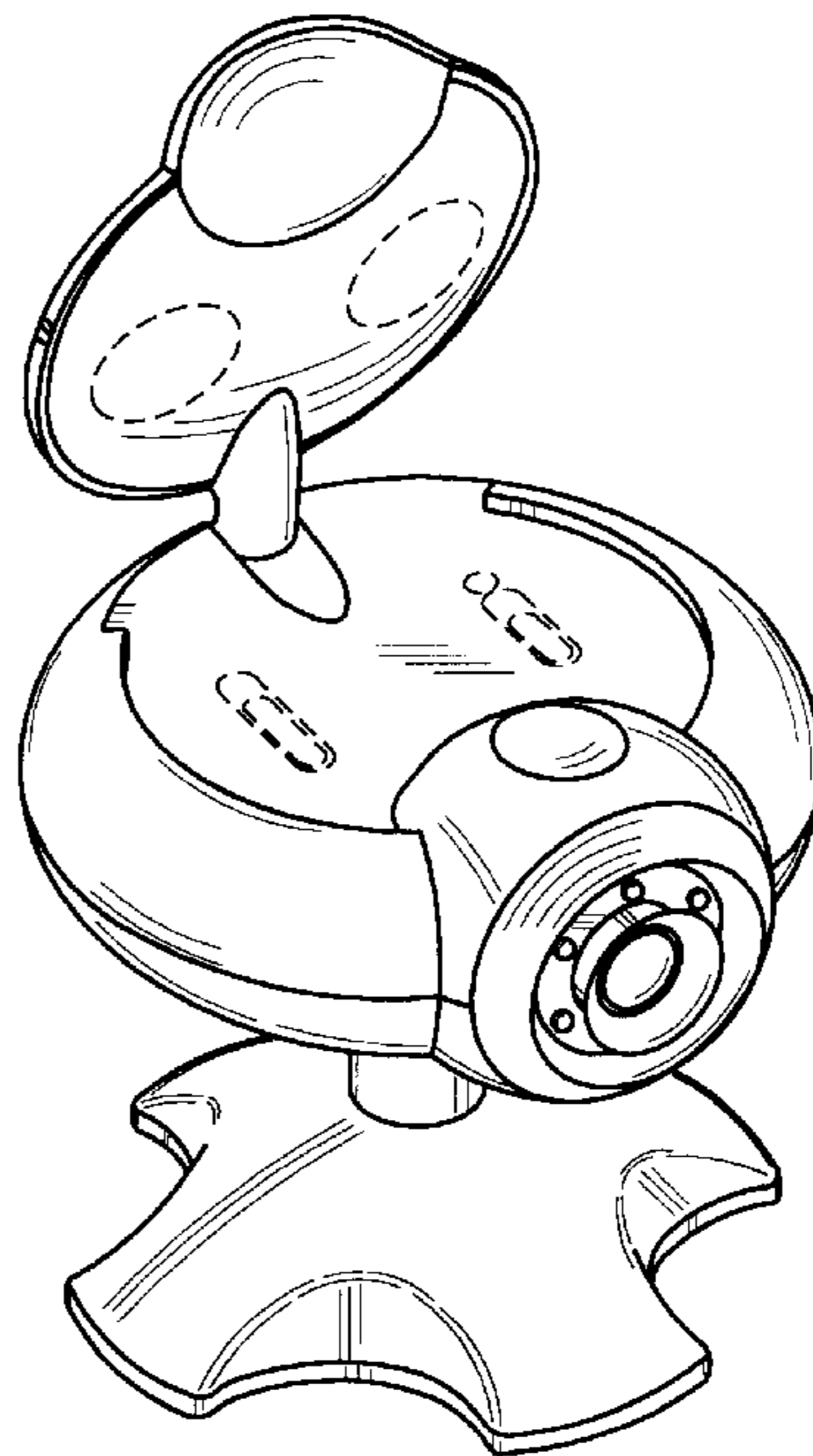
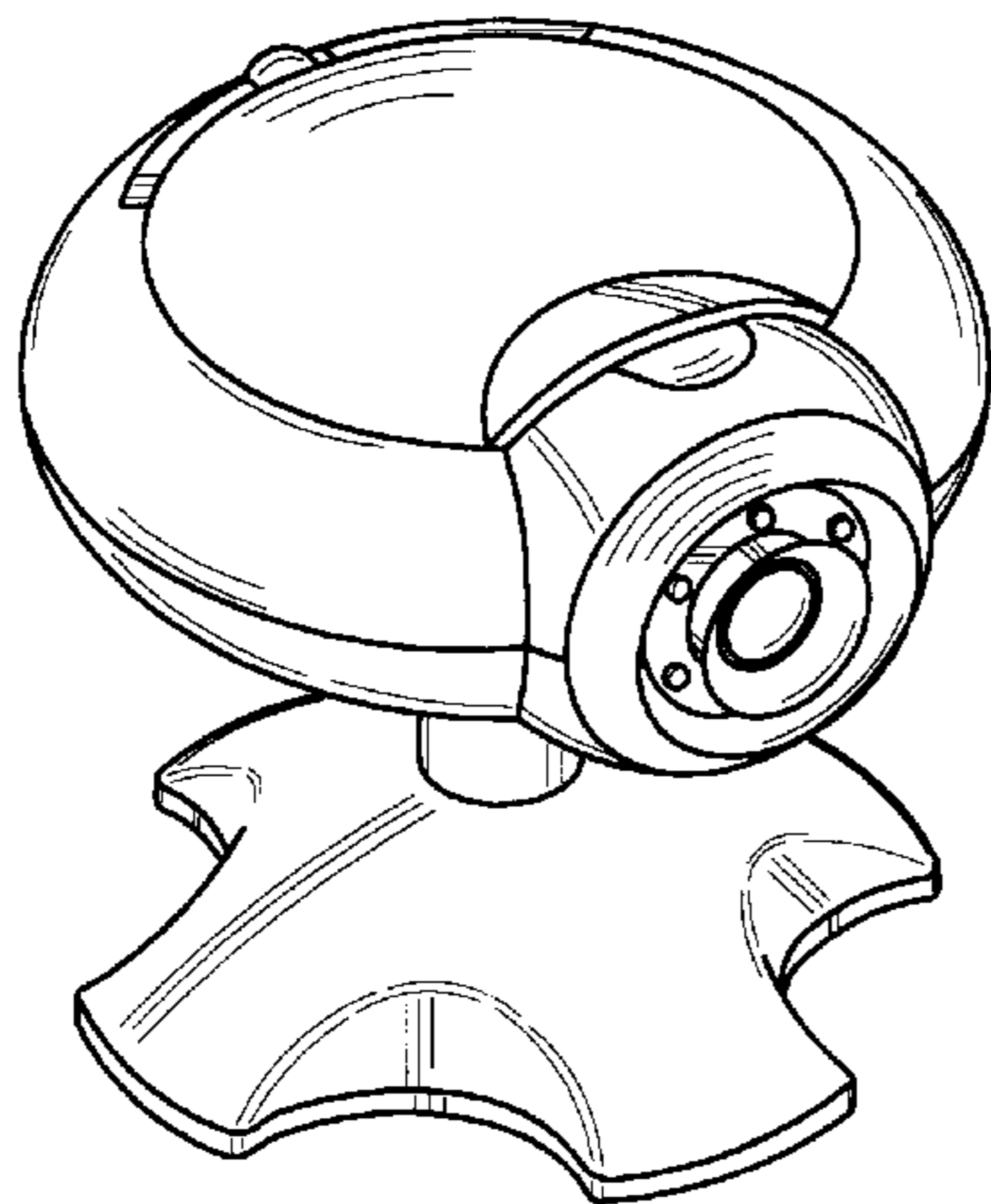
FIG. 10 is a front open view thereof;

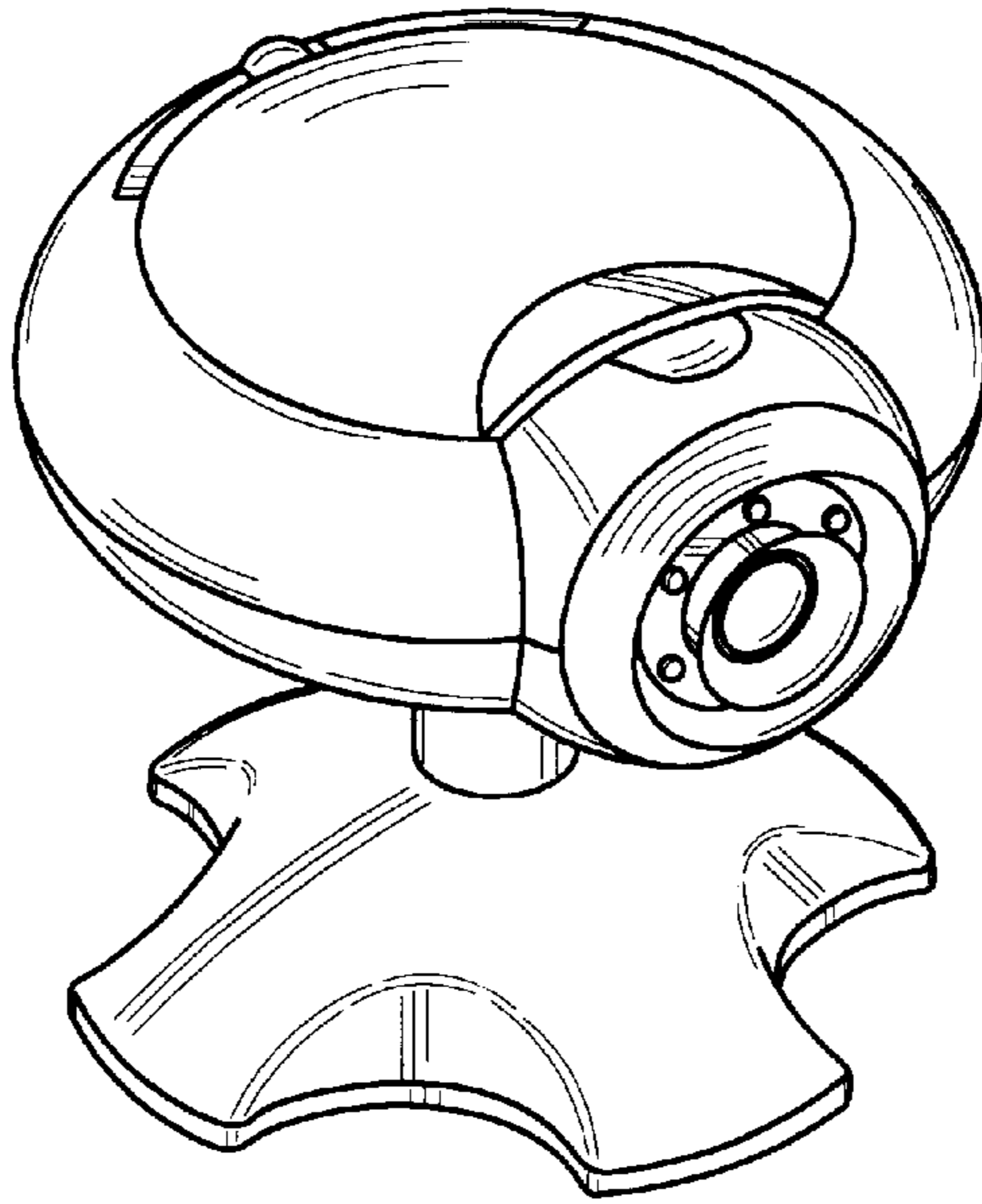
FIG. 11 is a rear open view thereof;

FIG. 12 is a top open view thereof; The bottom open view is the same as FIG. 6; and,

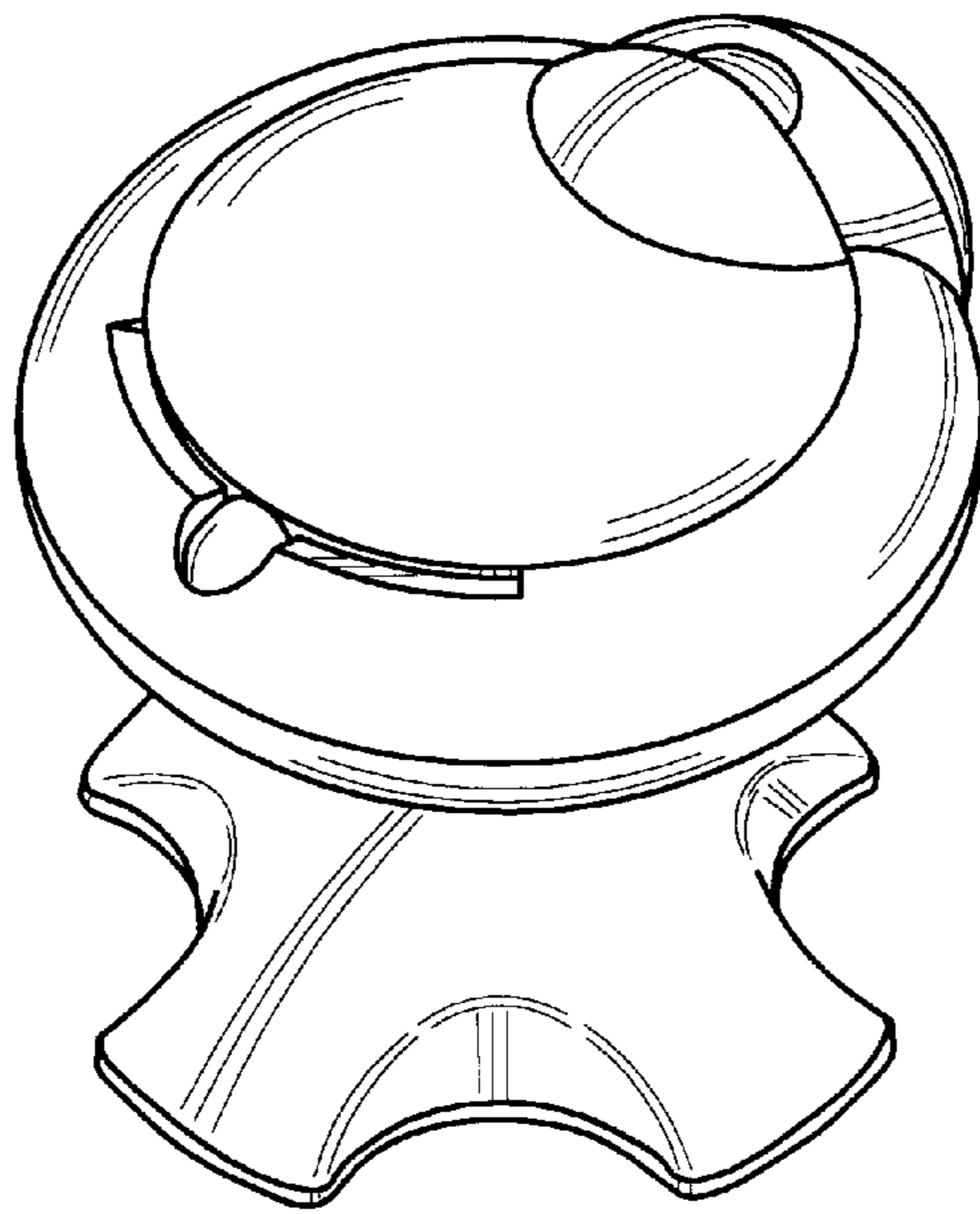
FIG. 13 is a left open side view thereof; The right open side view is a mirror image and not shown.

**1 Claim, 7 Drawing Sheets**

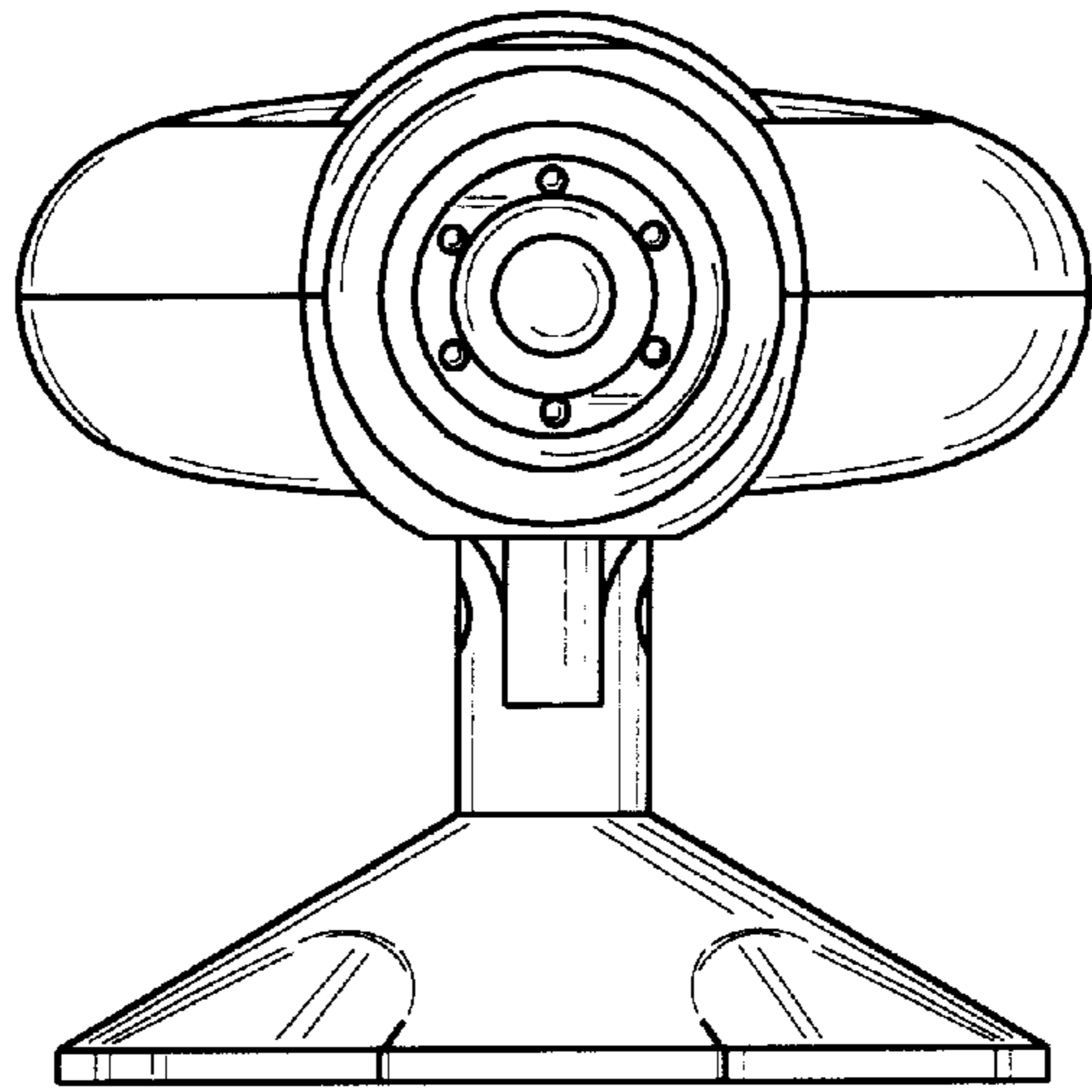




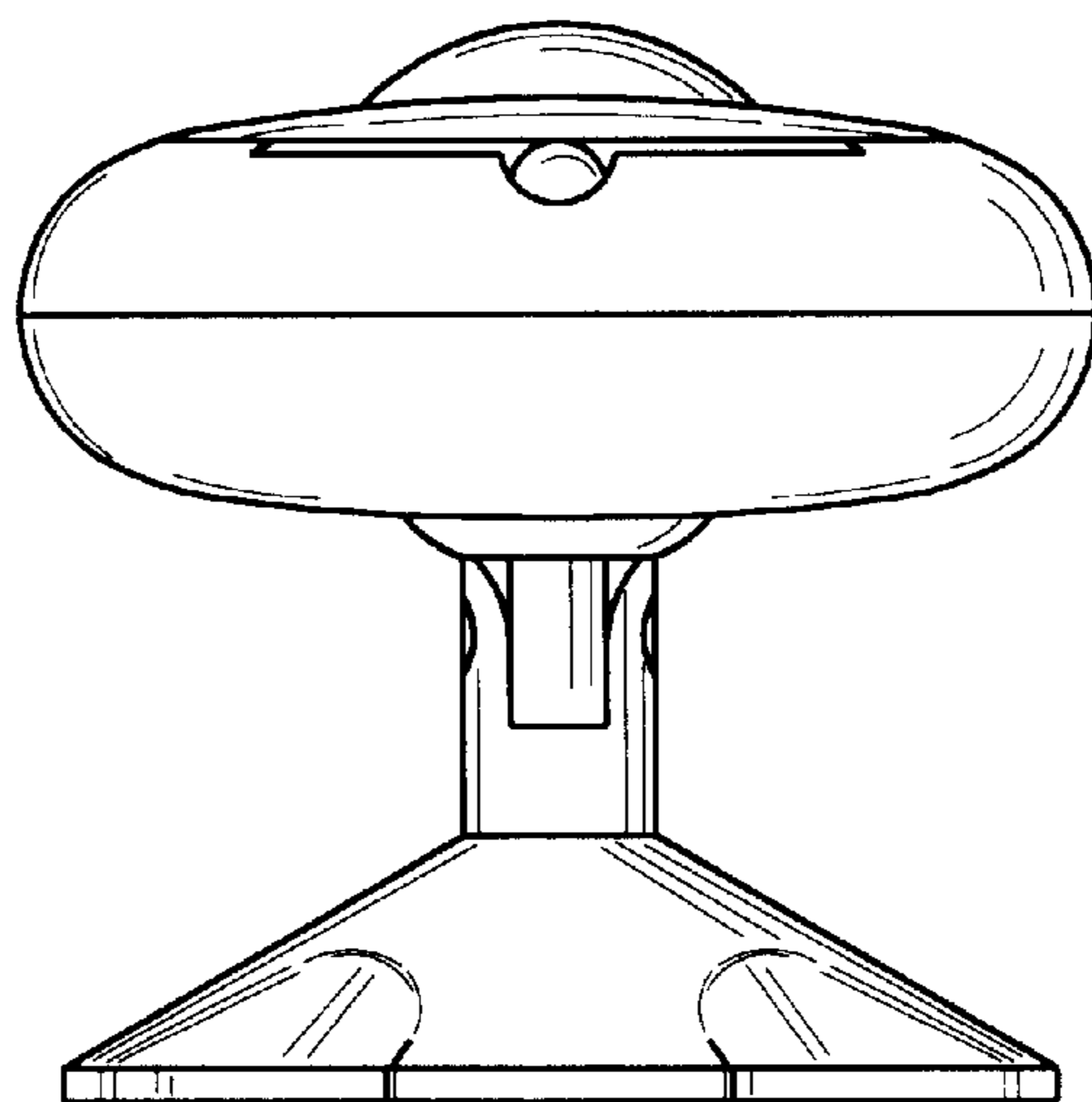
*FIG. 1*



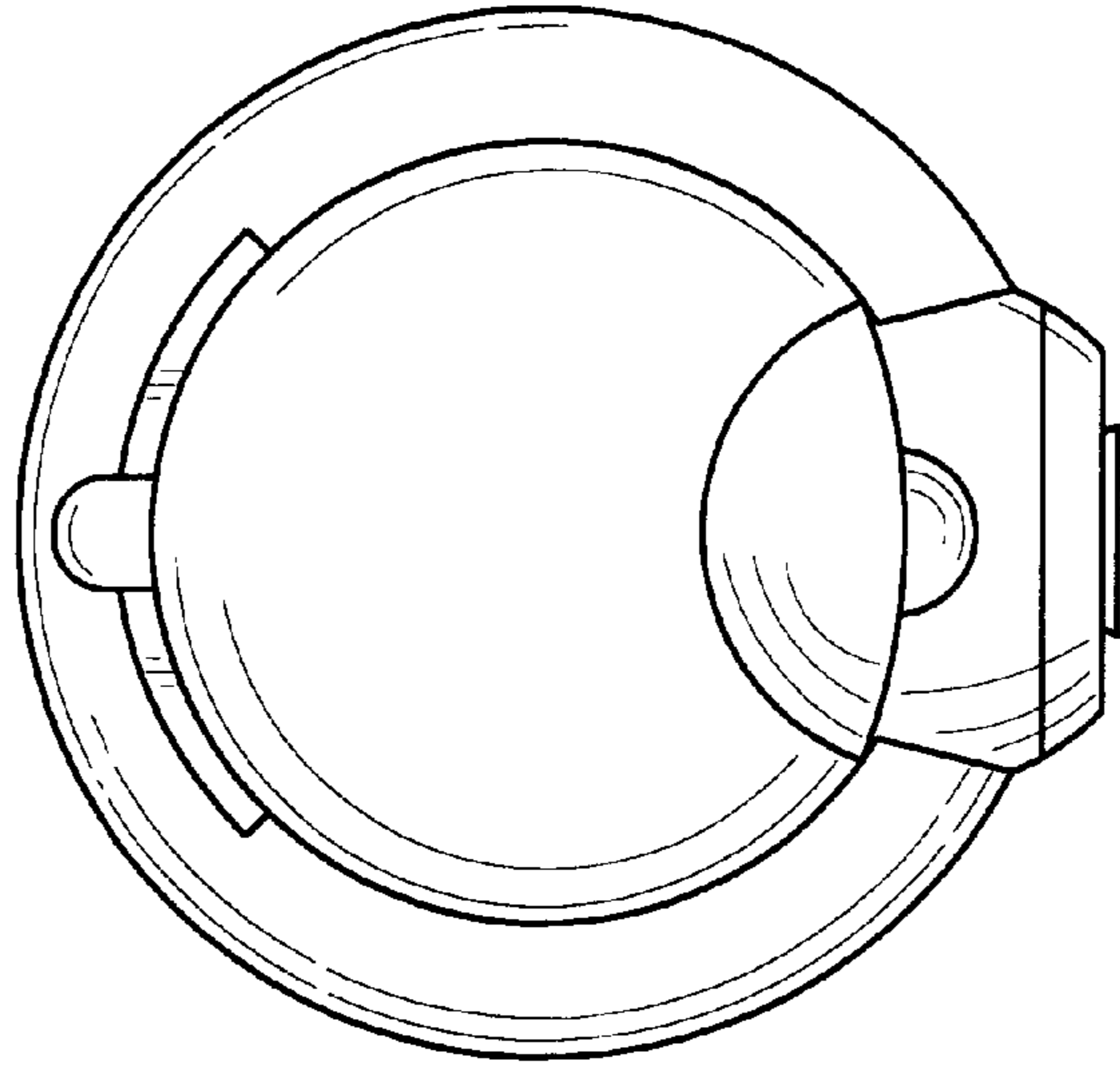
*FIG. 2*



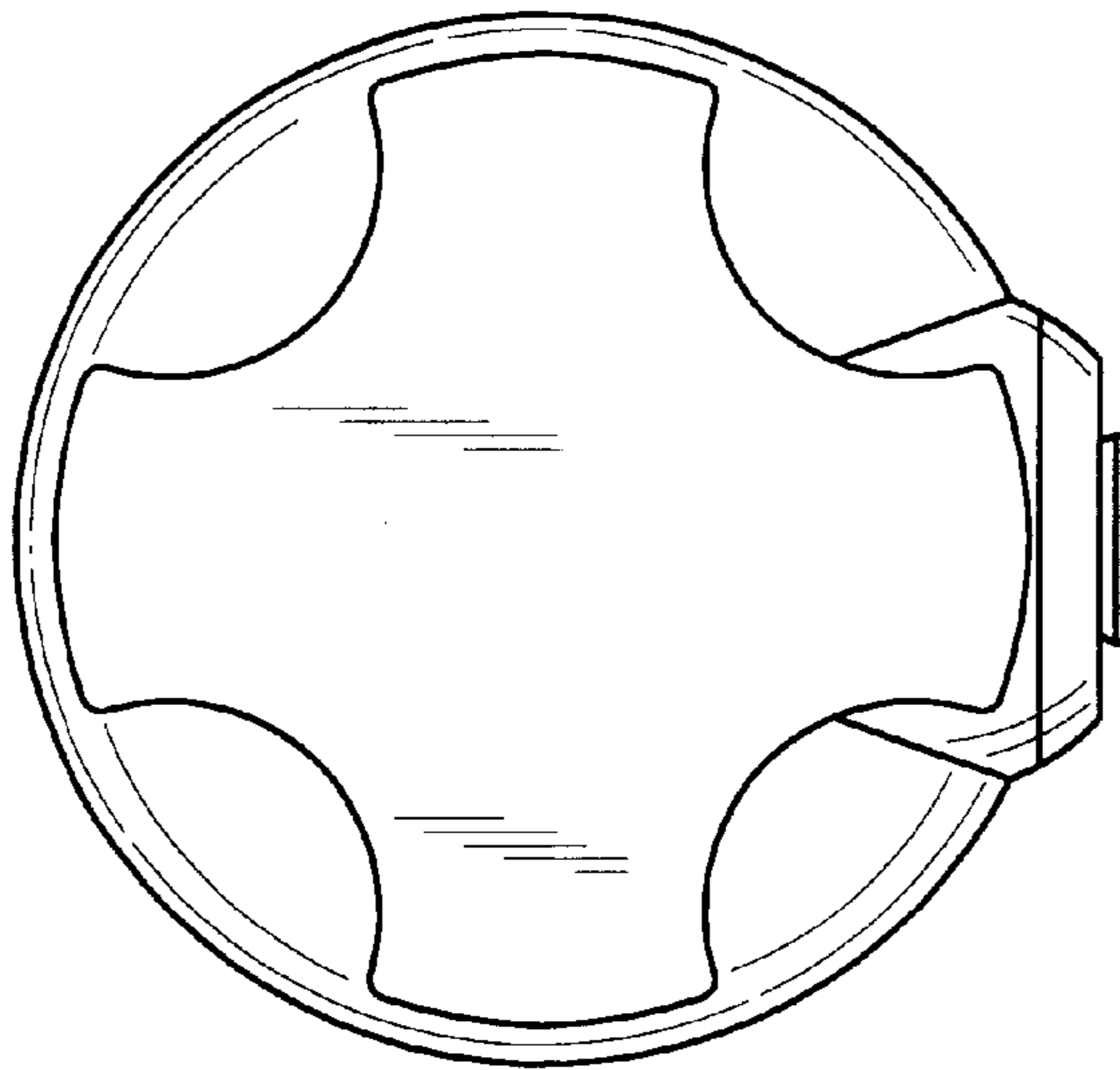
*FIG. 3*



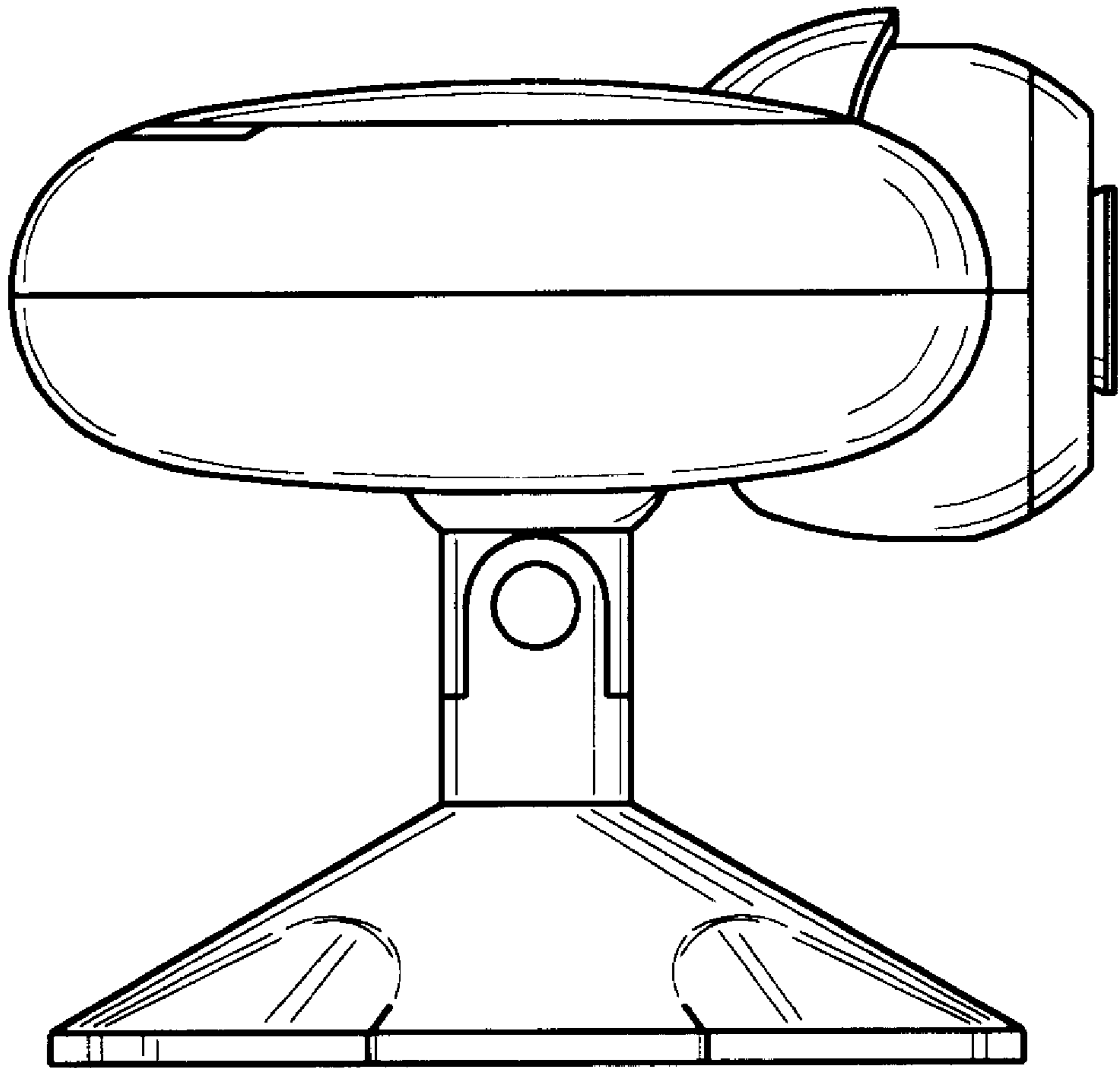
*FIG. 4*



*FIG. 5*



*FIG. 6*



*FIG. 7*

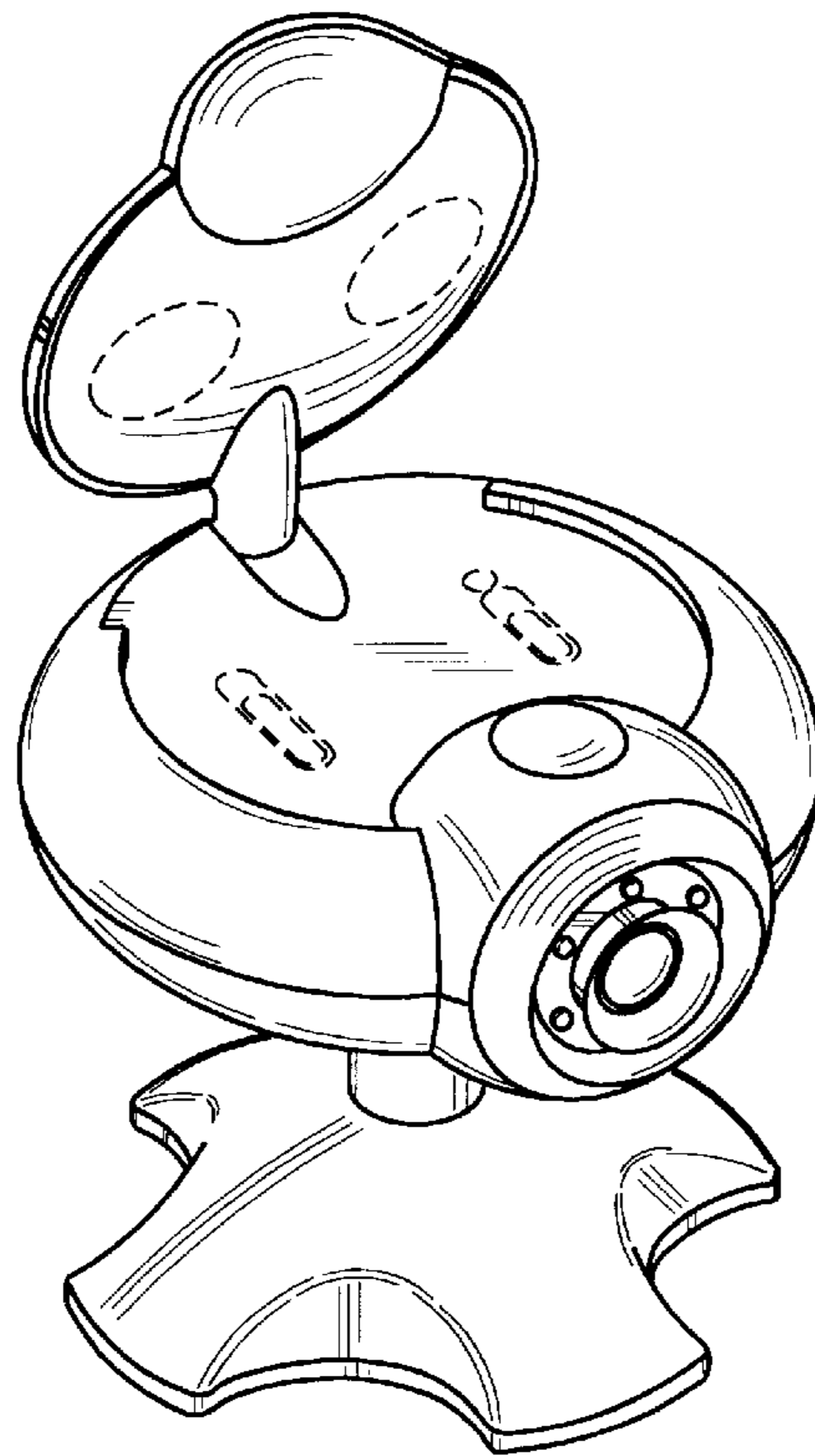


FIG. 8

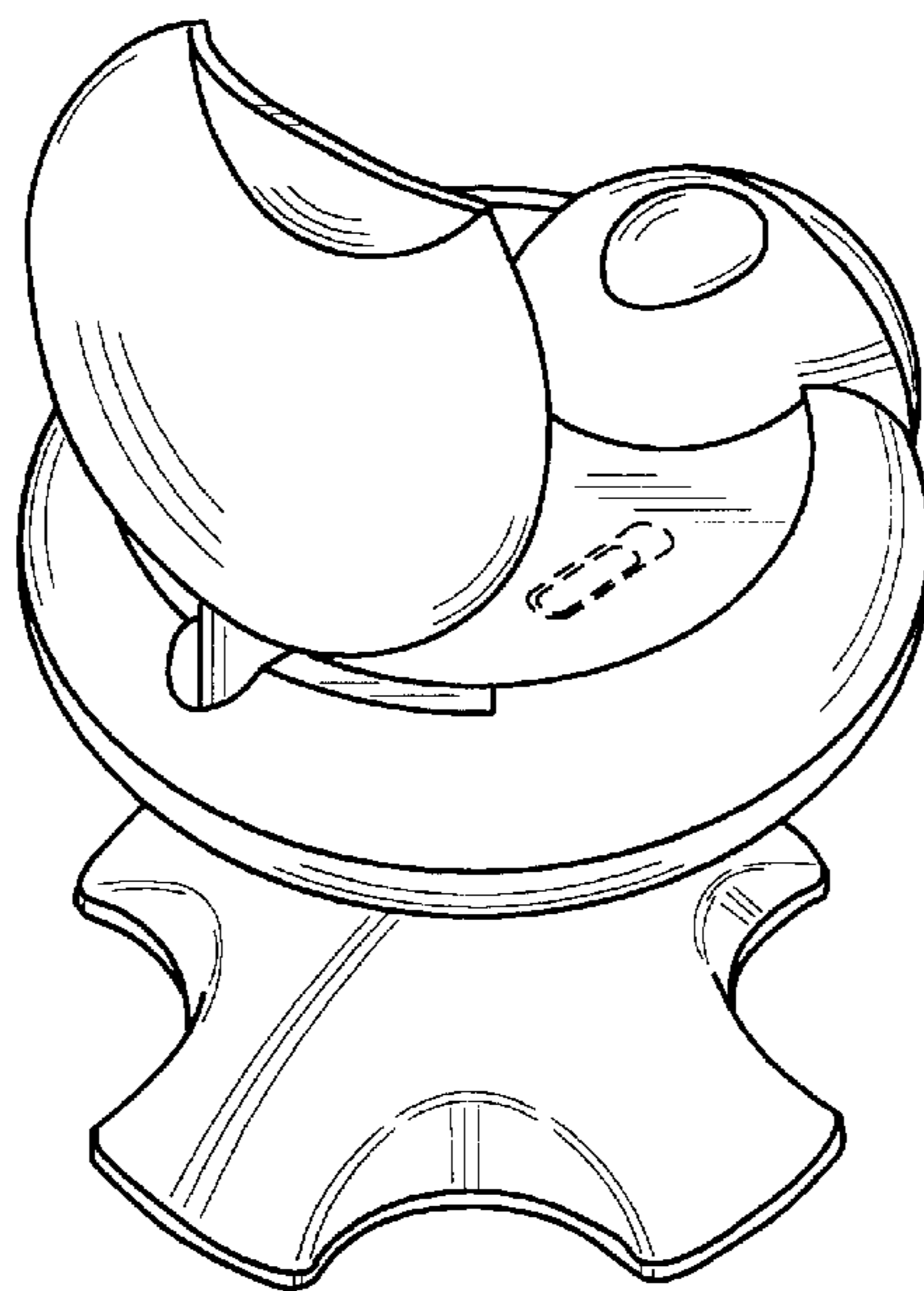
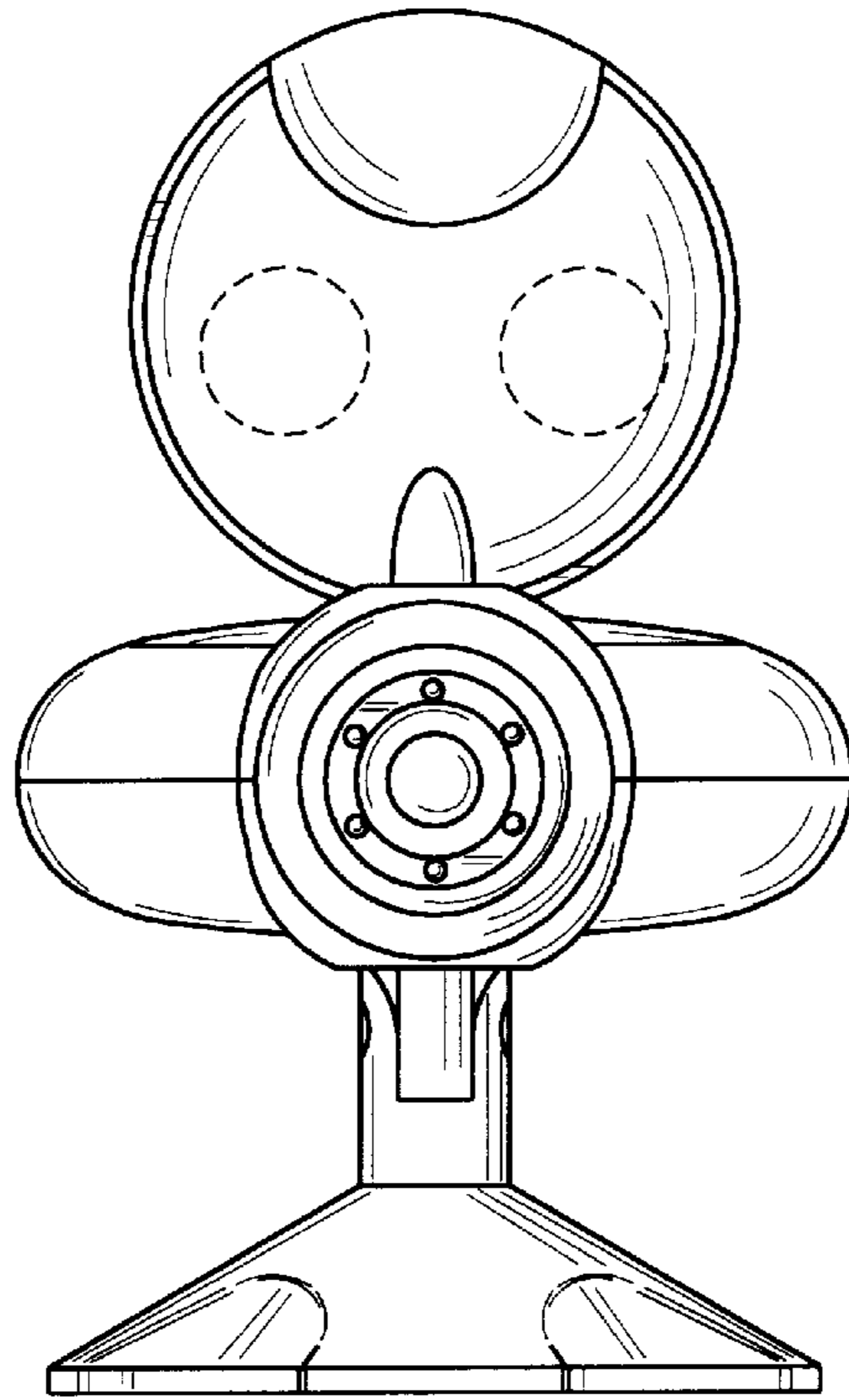
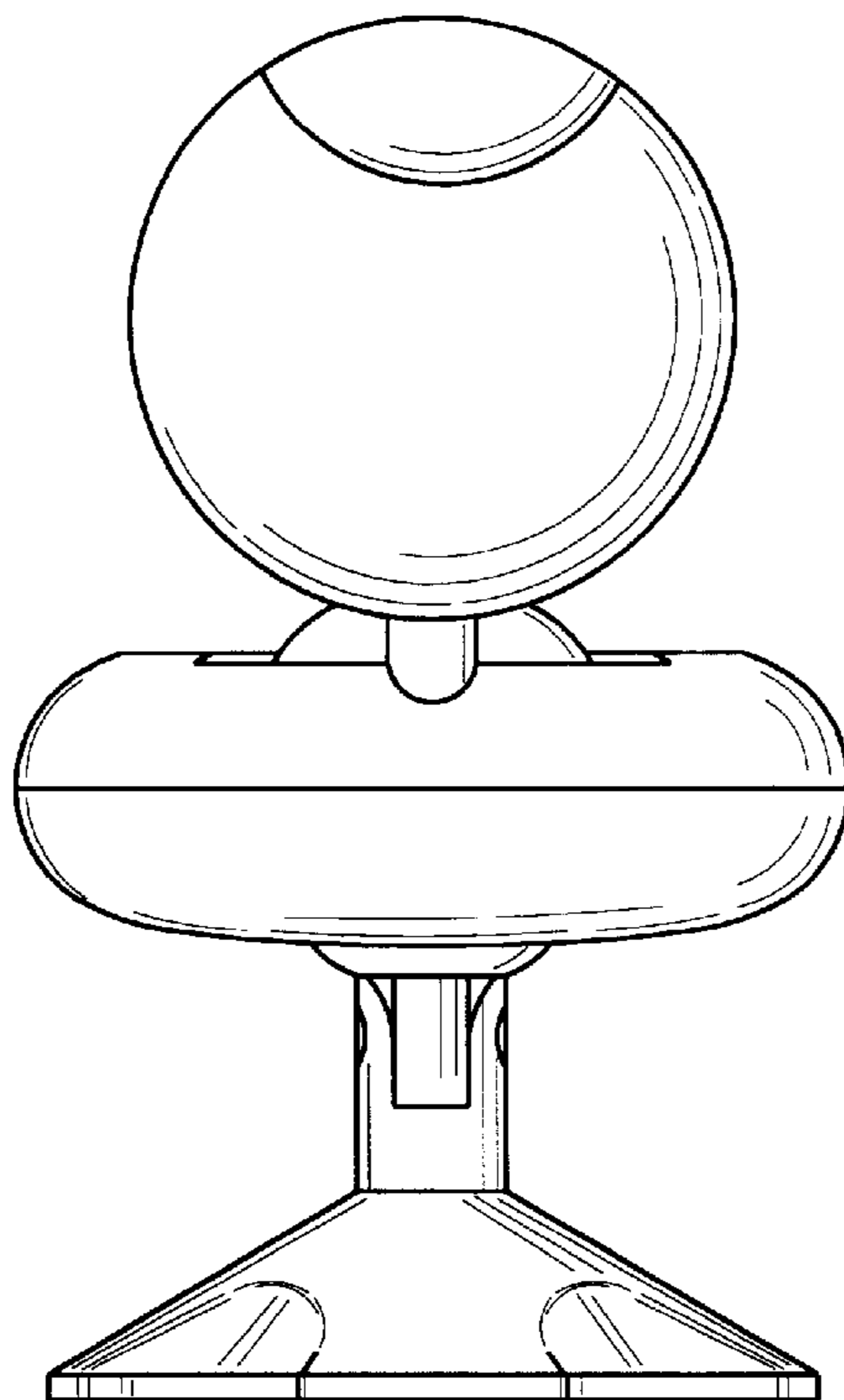


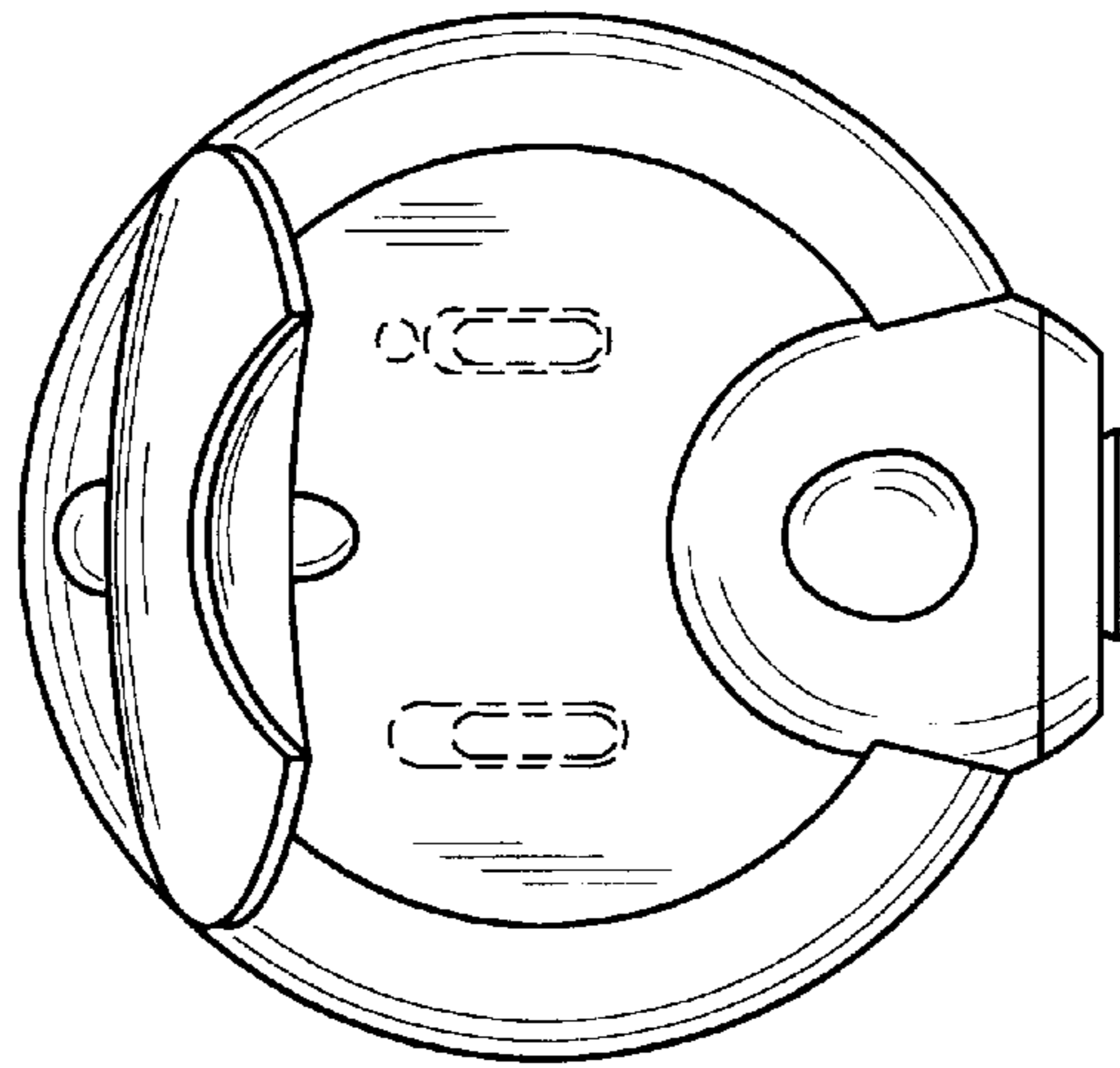
FIG. 9



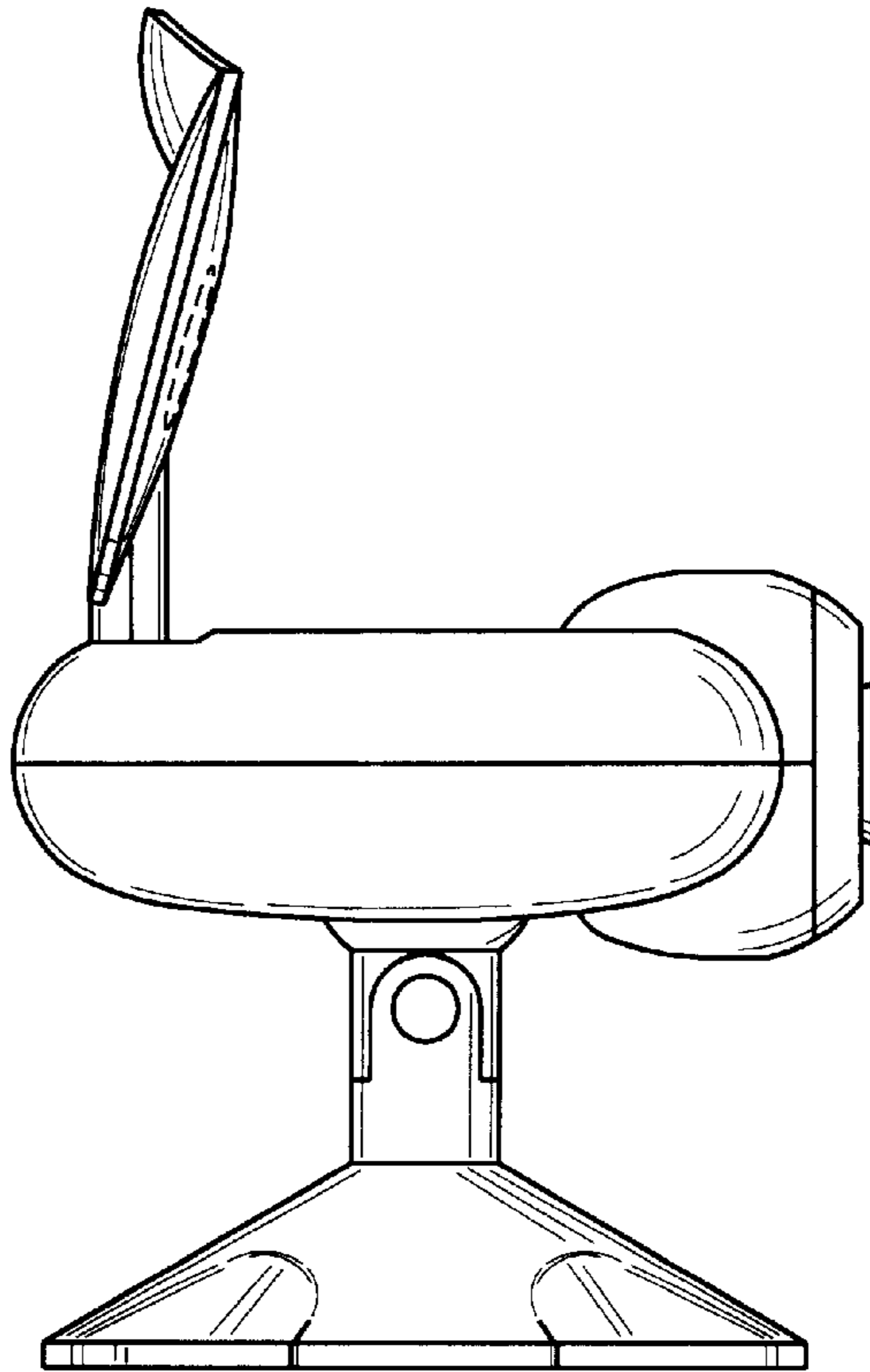
*FIG. 10*



*FIG. 11*



*FIG. 12*



*FIG. 13*