



US00D475384S

(12) **United States Design Patent**
Tanaka

(10) **Patent No.:** **US D475,384 S**

(45) **Date of Patent:** **** Jun. 3, 2003**

(54) **DIGITAL CAMERA**

(75) **Inventor:** **Noboru Tanaka, Yokohama (JP)**

(73) **Assignee:** **Canon Kabushiki Kaisha, Tokyo (JP)**

(**) **Term:** **14 Years**

(21) **Appl. No.:** **29/166,272**

(22) **Filed:** **Aug. 26, 2002**

(30) **Foreign Application Priority Data**

Feb. 28, 2002 (JP) 2002-005210

(51) **LOC (7) Cl. 16-01**

(52) **U.S. Cl. D16/202; D16/218**

(58) **Field of Search D16/200-206,**
D16/208, 209, 218; 348/373-376; 358/909.1;
396/535-541

(56) **References Cited**

U.S. PATENT DOCUMENTS

D401,604 S * 11/1998 Ito et al. D16/218
D407,731 S * 4/1999 Morishita et al. D16/209

D410,482 S * 6/1999 Kawai D16/218
D443,289 S * 6/2001 Omino D16/202
D456,436 S * 4/2002 Omino D16/202
2002/0036702 A1 * 3/2002 Ohnogi 348/373

* cited by examiner

Primary Examiner—Adir Aronovich

(74) *Attorney, Agent, or Firm*—Fitzpatrick, Cella, Harper & Scinto

(57) **CLAIM**

The ornamental design for a digital camera, as shown and described.

DESCRIPTION

FIG. 1 is a front view of a digital camera showing my new design;
FIG. 2 is a rear view thereof;
FIG. 3 is a top plan view thereof;
FIG. 4 is a bottom plan view thereof;
FIG. 5 is a left side view thereof;
FIG. 6 is a right side view thereof; and,
FIG. 7 is a perspective view thereof.

1 Claim, 4 Drawing Sheets

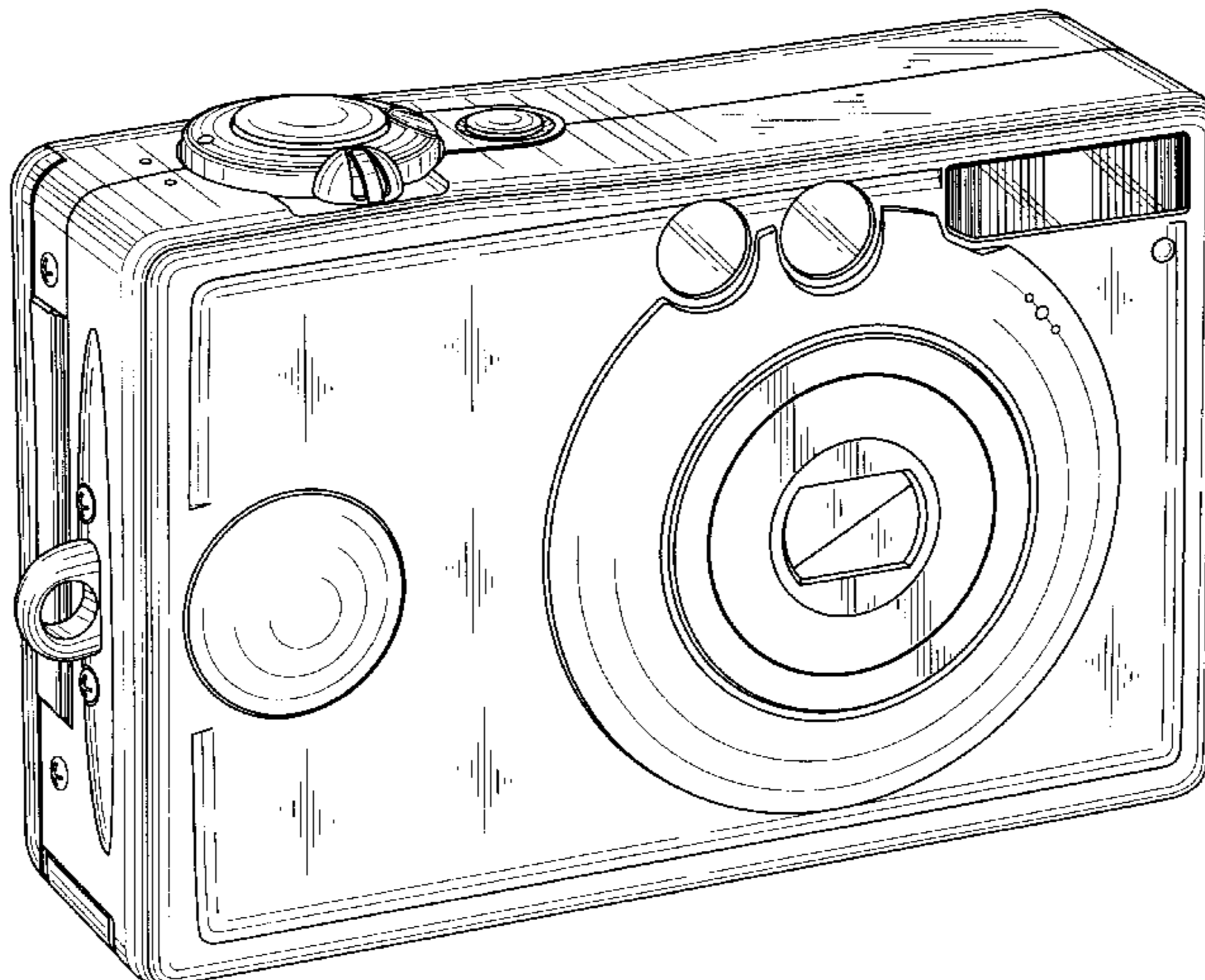
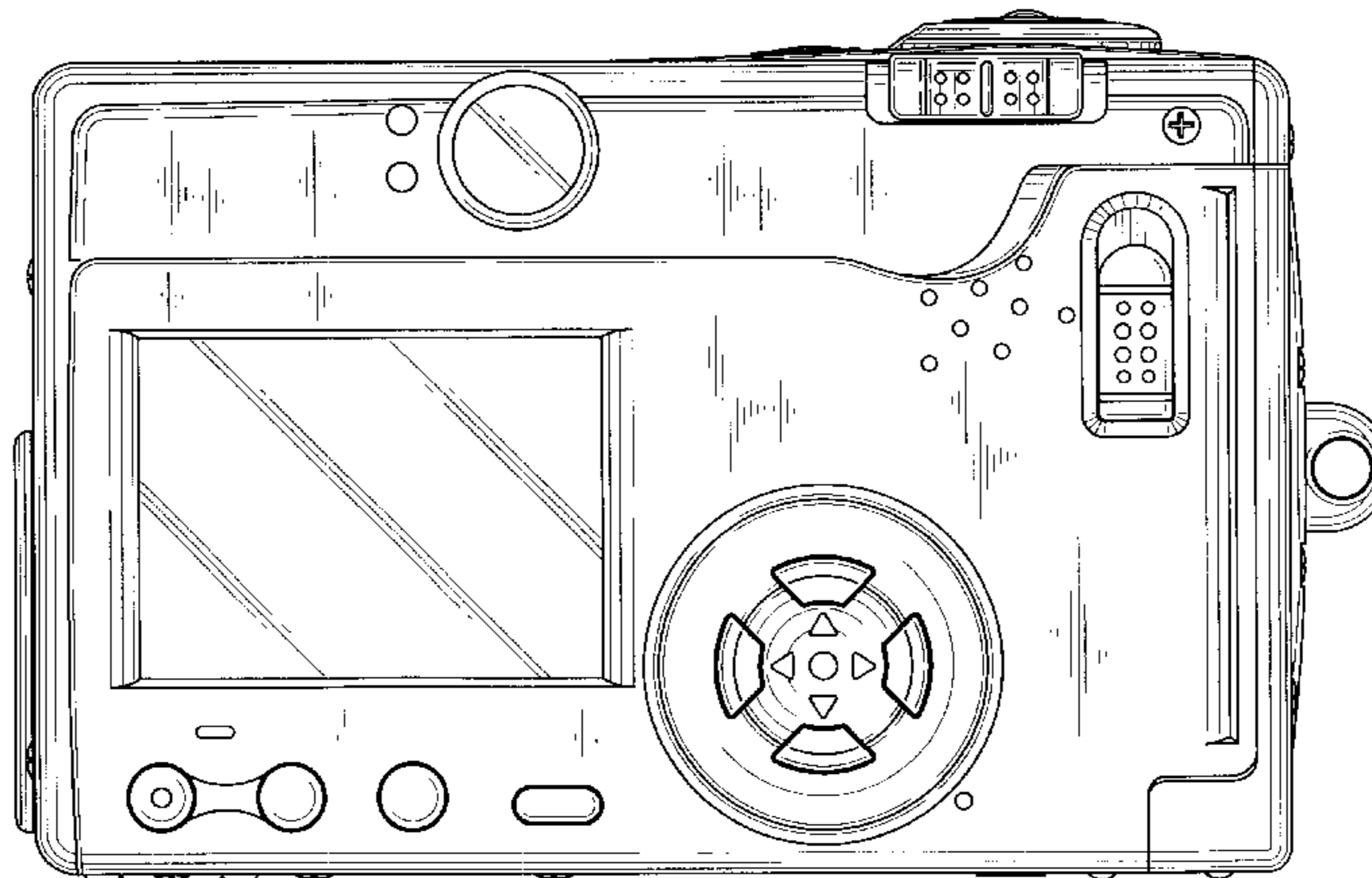


FIG. 1

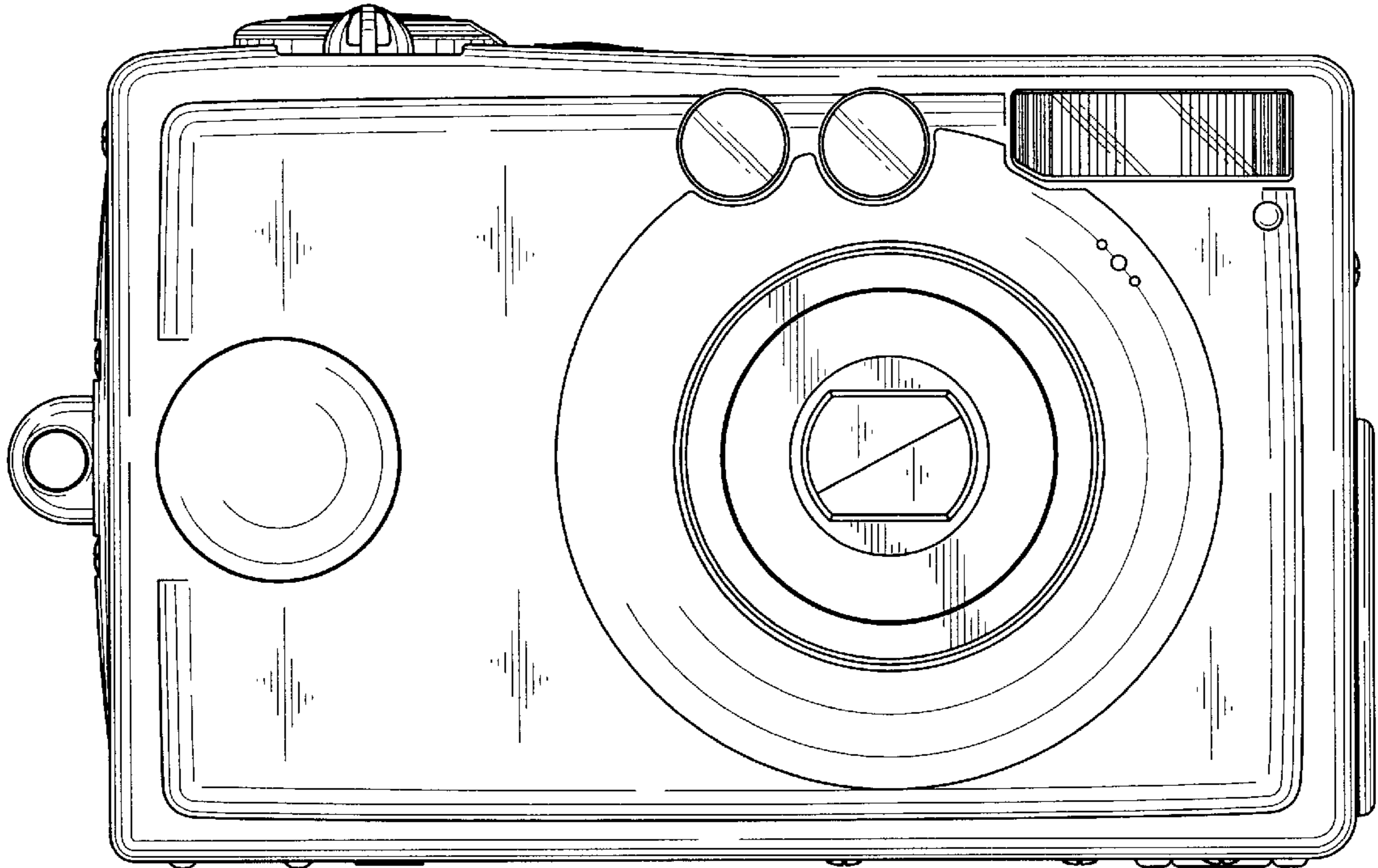


FIG. 2

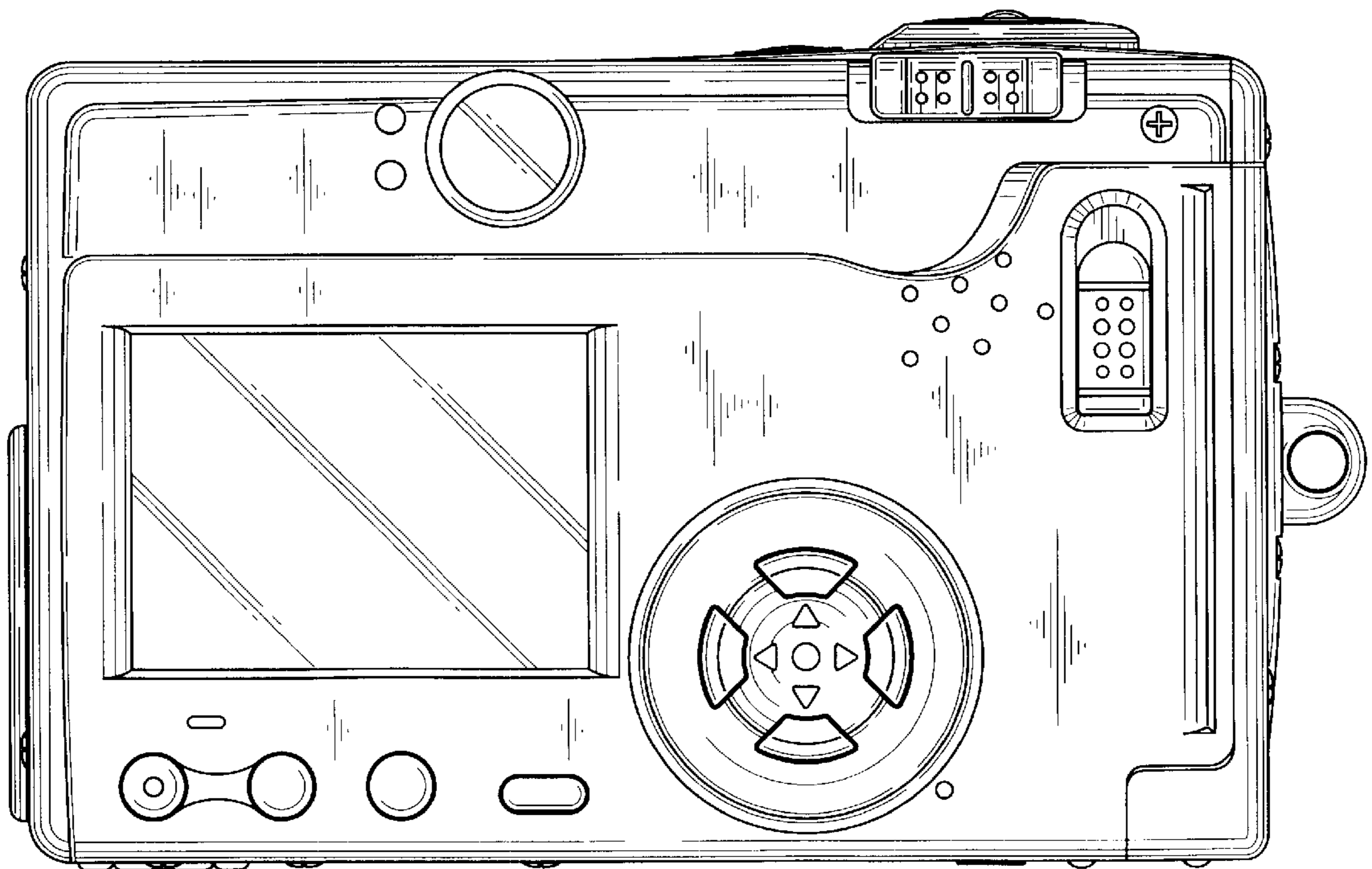


FIG. 3

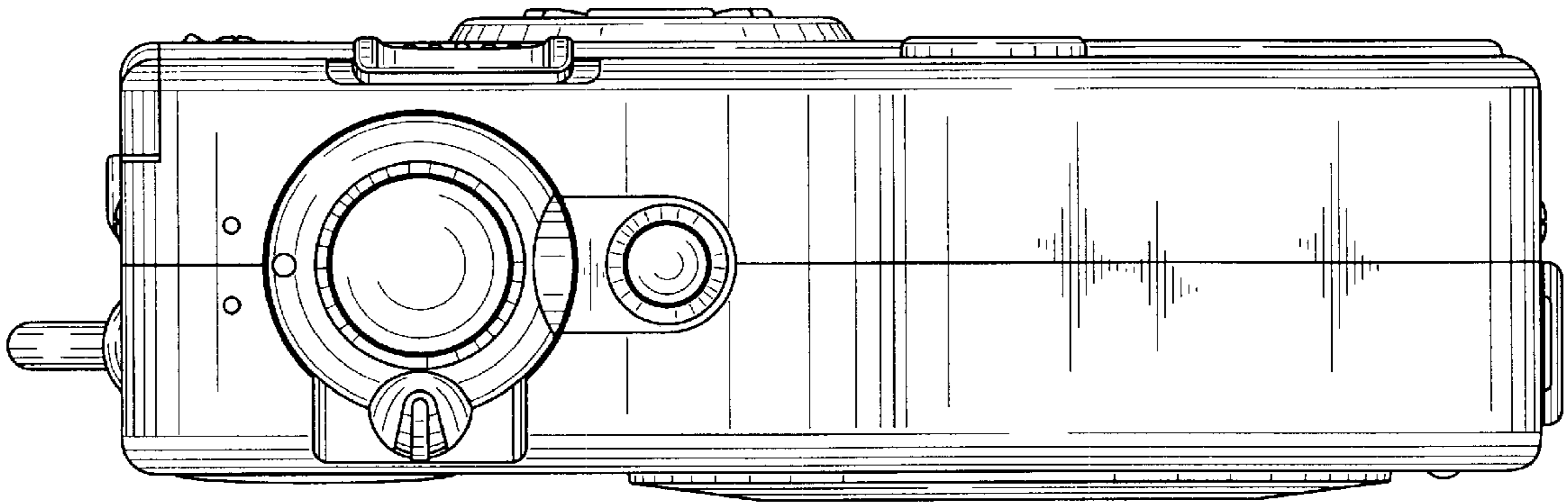


FIG. 4

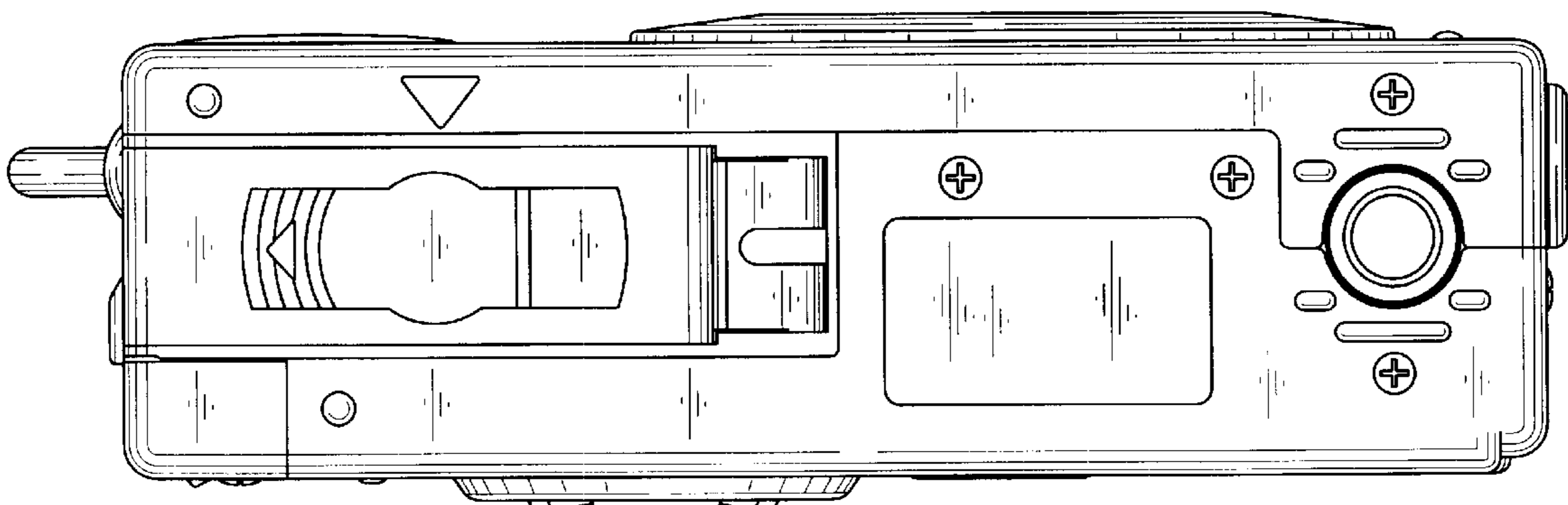


FIG. 5

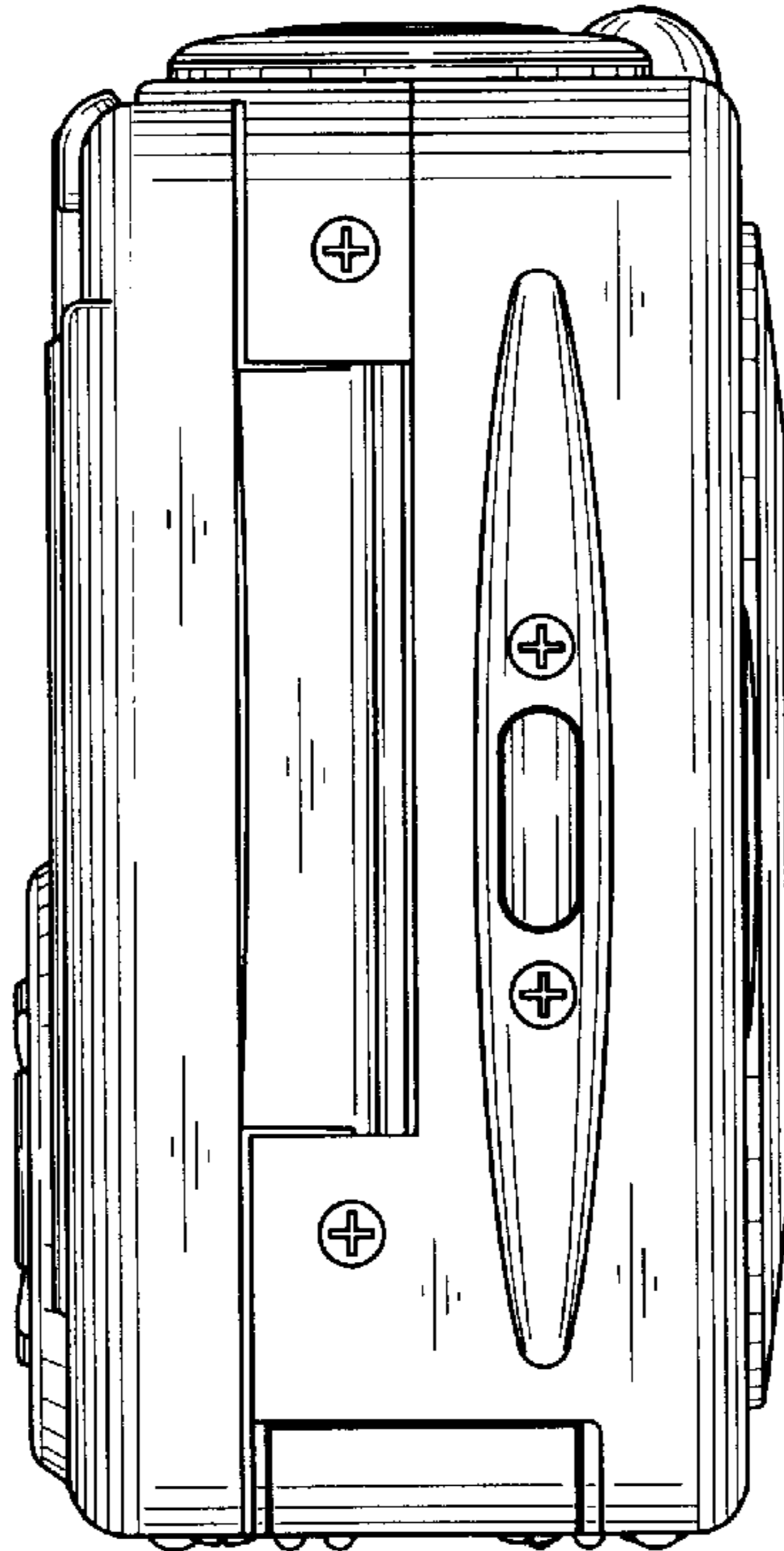


FIG. 6



FIG. 7

