



US00D475383S

(12) **United States Design Patent**  
**Omino**

(10) **Patent No.:** **US D475,383 S**

(45) **Date of Patent:** **\*\* Jun. 3, 2003**

(54) **DIGITAL CAMERA**

(75) **Inventor:** **Seiichi Omino, Kawasaki (JP)**

(73) **Assignee:** **Canon Kabushiki Kaisha, Tokyo (JP)**

(\*\*) **Term:** **14 Years**

(21) **Appl. No.:** **29/165,486**

(22) **Filed:** **Aug. 13, 2002**

(30) **Foreign Application Priority Data**

Feb. 28, 2002 (JP) ..... 2002-005209

(51) **LOC (7) Cl.** ..... **16-01**

(52) **U.S. Cl.** ..... **D16/202; D16/218**

(58) **Field of Search** ..... **D16/200-206,**  
**D16/208, 209, 218; 348/373-376; 358/909.1;**  
**396/535-541**

(56) **References Cited**

**U.S. PATENT DOCUMENTS**

- D440,590 S \* 4/2001 Yoshida ..... D16/209
- D441,777 S \* 5/2001 Katayama ..... D16/202
- D443,289 S 6/2001 Omino ..... D16/202
- D456,435 S \* 4/2002 Hisatomi et al. .... D16/202

D456,436 S 4/2002 Omino ..... D16/202

D456,437 S \* 4/2002 Omino ..... D16/218

D462,705 S \* 9/2002 Hamamura ..... D16/202

D462,706 S \* 9/2002 Hamamura ..... D16/202

2002/0036702 A1 \* 3/2002 Ohnogi ..... 348/373

\* cited by examiner

*Primary Examiner*—Adir Aronovich

(74) *Attorney, Agent, or Firm*—Fitzpatrick, Cella, Harper & Scinto

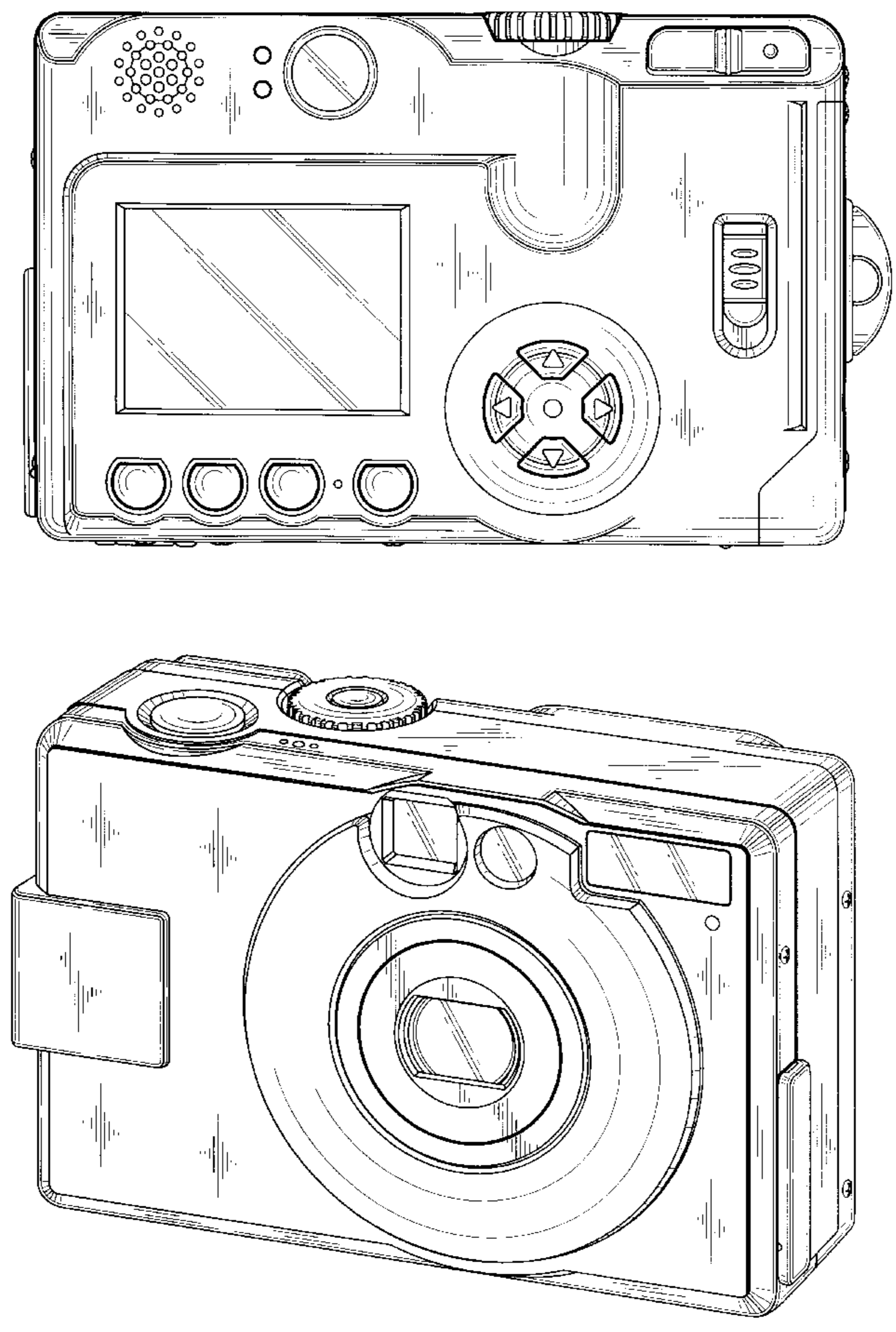
(57) **CLAIM**

The ornamental design for a digital camera, as shown and described.

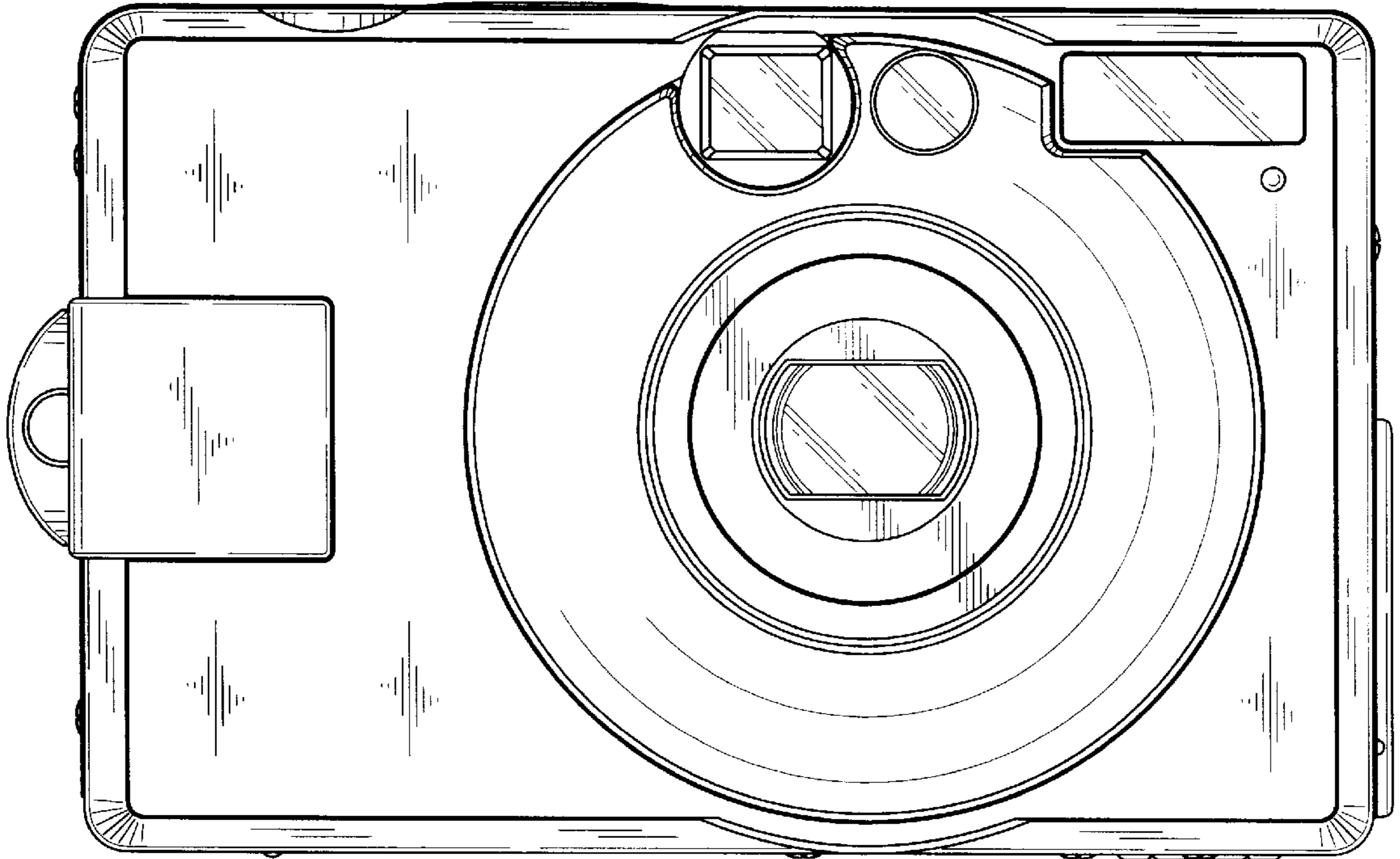
**DESCRIPTION**

FIG. 1 is a front view of a digital camera showing my new design;  
 FIG. 2 is a rear view thereof;  
 FIG. 3 is top plan view thereof;  
 FIG. 4 is a bottom plan view thereof;  
 FIG. 5 is a left side view thereof;  
 FIG. 6 is a right side view thereof; and,  
 FIG. 7 is a perspective view thereof.

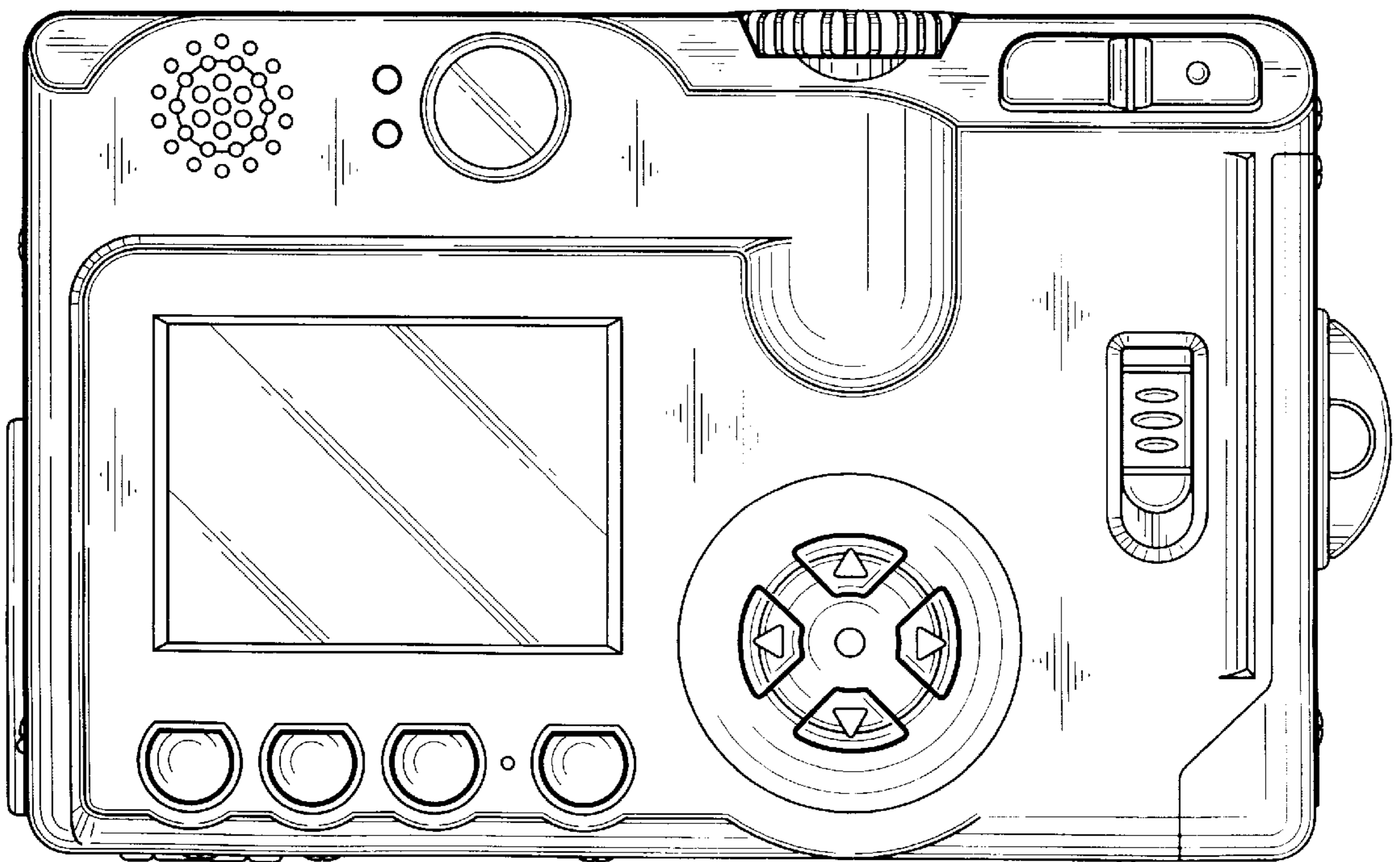
**1 Claim, 4 Drawing Sheets**



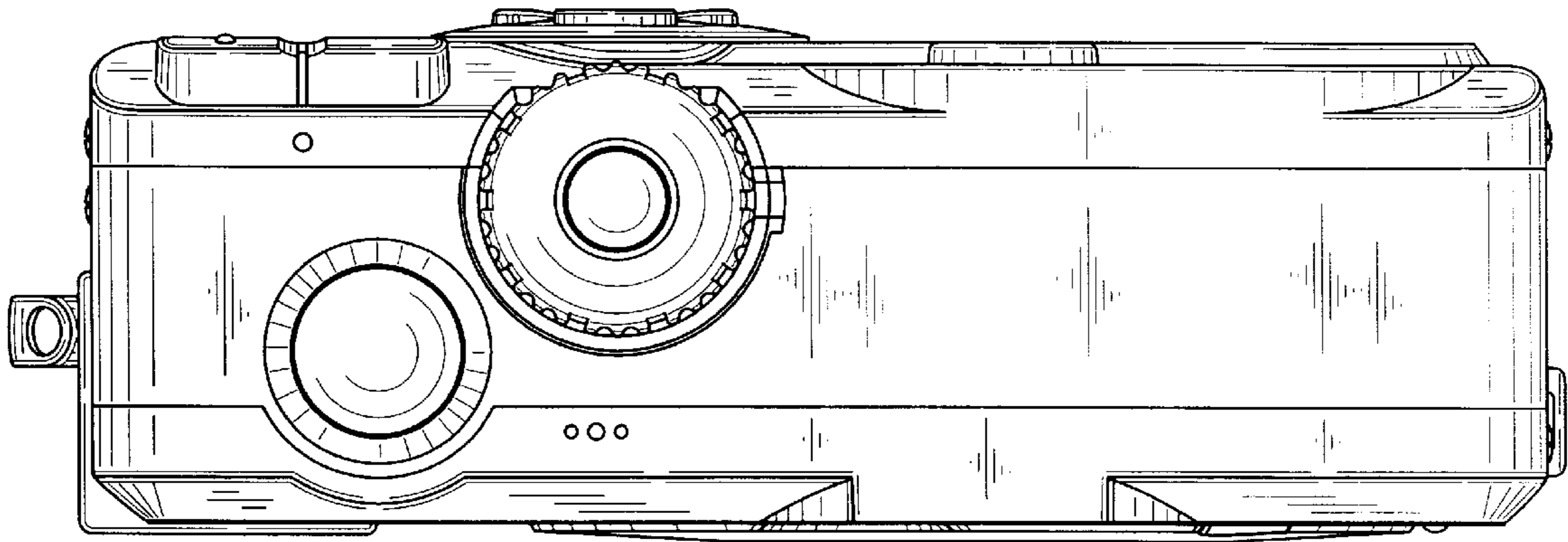
*FIG. 1*



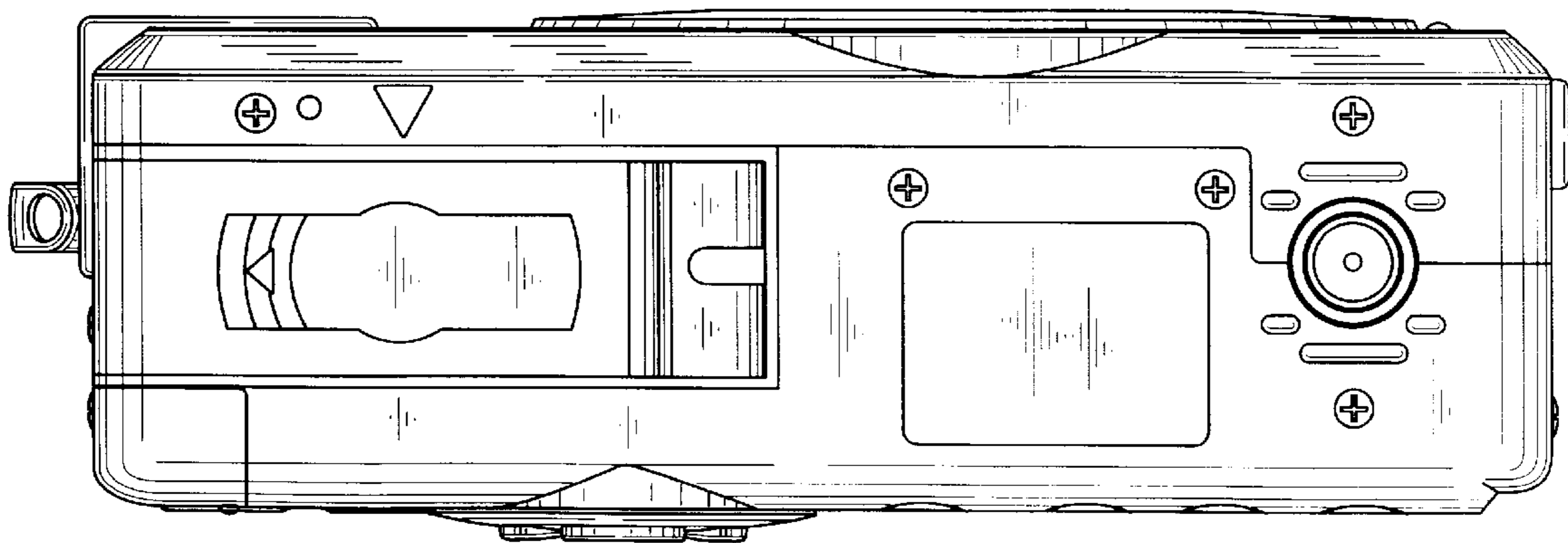
*FIG. 2*



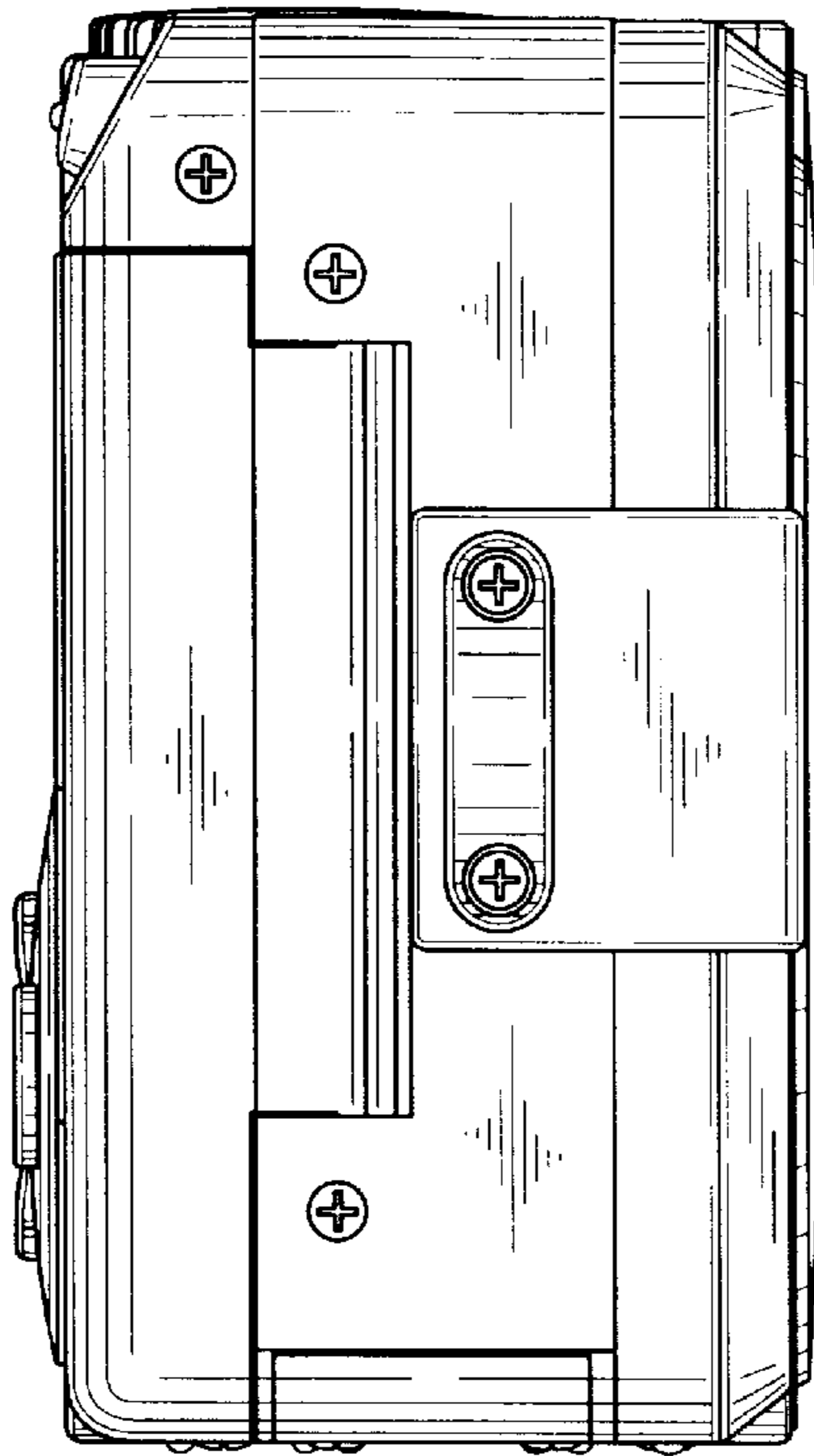
*FIG. 3*



*FIG. 4*



*FIG. 5*



*FIG. 6*



*FIG. 7*

