



US00D475382S

(12) **United States Design Patent**
Horikiri

(10) **Patent No.:** **US D475,382 S**

(45) **Date of Patent:** **** Jun. 3, 2003**

(54) **ELECTRONIC STILL CAMERA**

(75) Inventor: **Kazuhisa Horikiri**, Tokyo (JP)

(73) Assignee: **Fuji Photo Film Co., Ltd.**, Kanagawa (JP)

(**) Term: **14 Years**

(21) Appl. No.: **29/165,332**

(22) Filed: **Aug. 9, 2002**

(30) **Foreign Application Priority Data**

Feb. 28, 2002 (JP) 2002-005259

(51) **LOC (7) Cl.** **16-01**

(52) **U.S. Cl.** **D16/202**

(58) **Field of Search** D16/200-205,
D16/208, 209, 212, 218; 348/373-376;
358/909.1; 396/535-541

(56) **References Cited**

U.S. PATENT DOCUMENTS

D401,258 S	*	11/1998	Tanaka	D16/209
D441,777 S	*	5/2001	Katayama	D16/202
D450,072 S		11/2001	Katayama	D16/202
D451,114 S		11/2001	Tanaka	D16/202

6,434,337 B1	*	8/2002	Misawa	358/909.1
D468,331 S	*	1/2003	Horikiri	D16/202
2002/0036702 A1	*	3/2002	Ohnogi	348/373

* cited by examiner

Primary Examiner—Adir Aronovich

(74) *Attorney, Agent, or Firm*—Young & Thompson

(57) **CLAIM**

The ornamental design for an electronic still camera, as shown and described.

DESCRIPTION

FIG. 1 is a top, front and side perspective view of an electronic still camera showing my new design;
 FIG. 2 is a front elevational view thereof;
 FIG. 3 is a rear elevational view thereof;
 FIG. 4 is a top plan view thereof;
 FIG. 5 is a bottom plan view thereof;
 FIG. 6 is a side elevational view thereof from the right of FIG. 2;
 FIG. 7 is a side elevational view thereof from the left of FIG. 2; and,
 FIGS. 8 and 9 are views similar to FIG. 1, but with the parts in different positions.

1 Claim, 4 Drawing Sheets

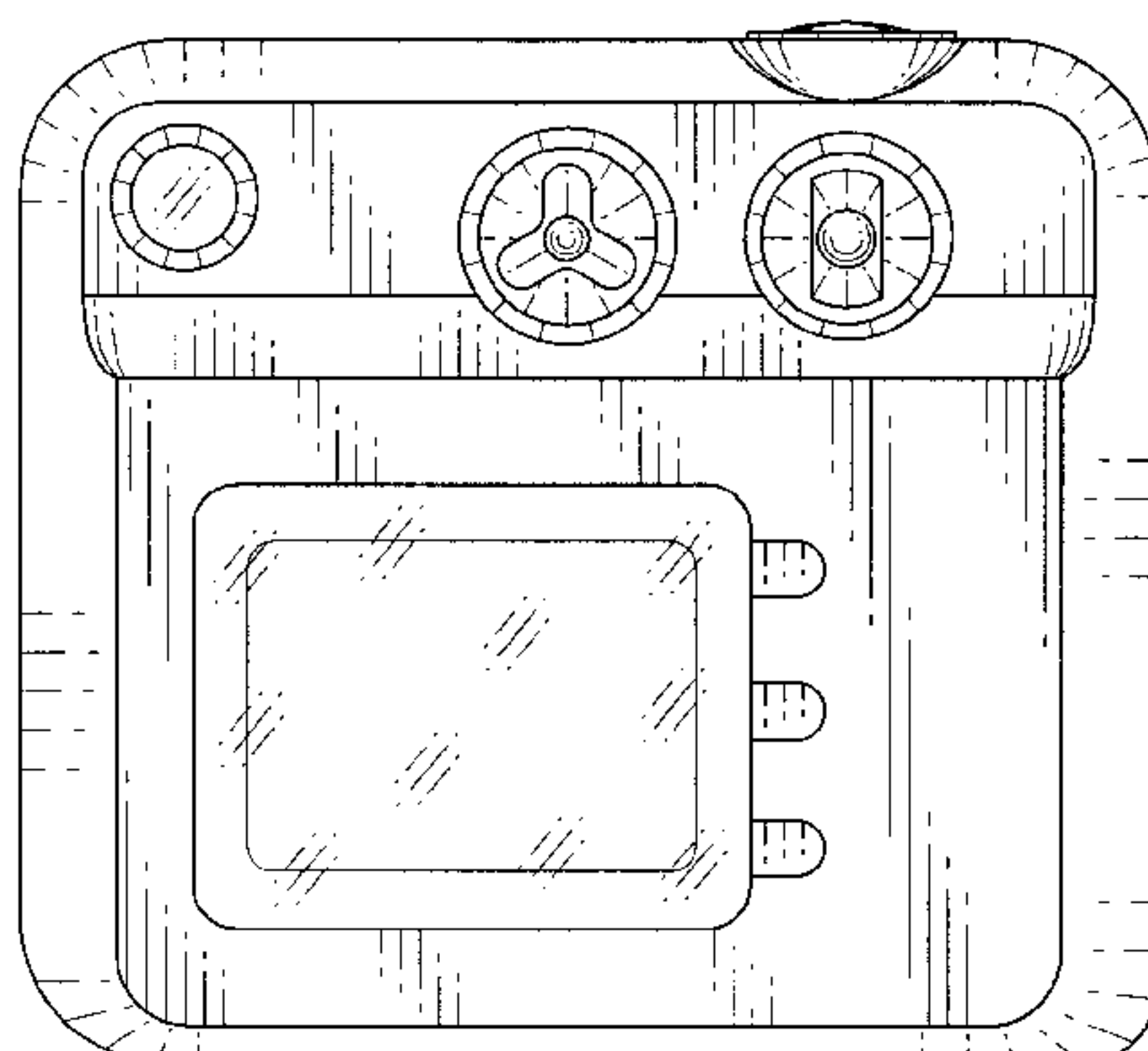
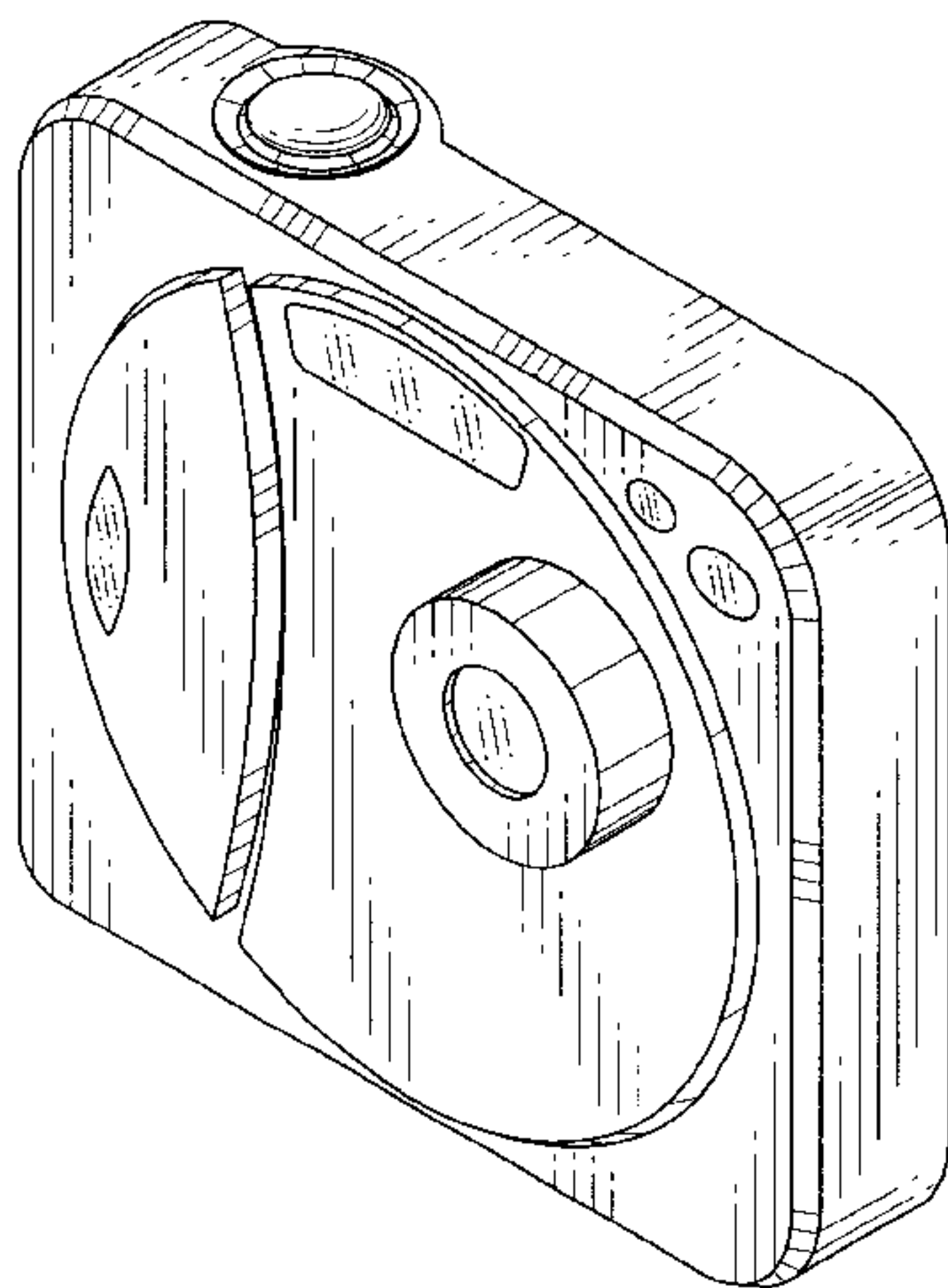


FIG. 1

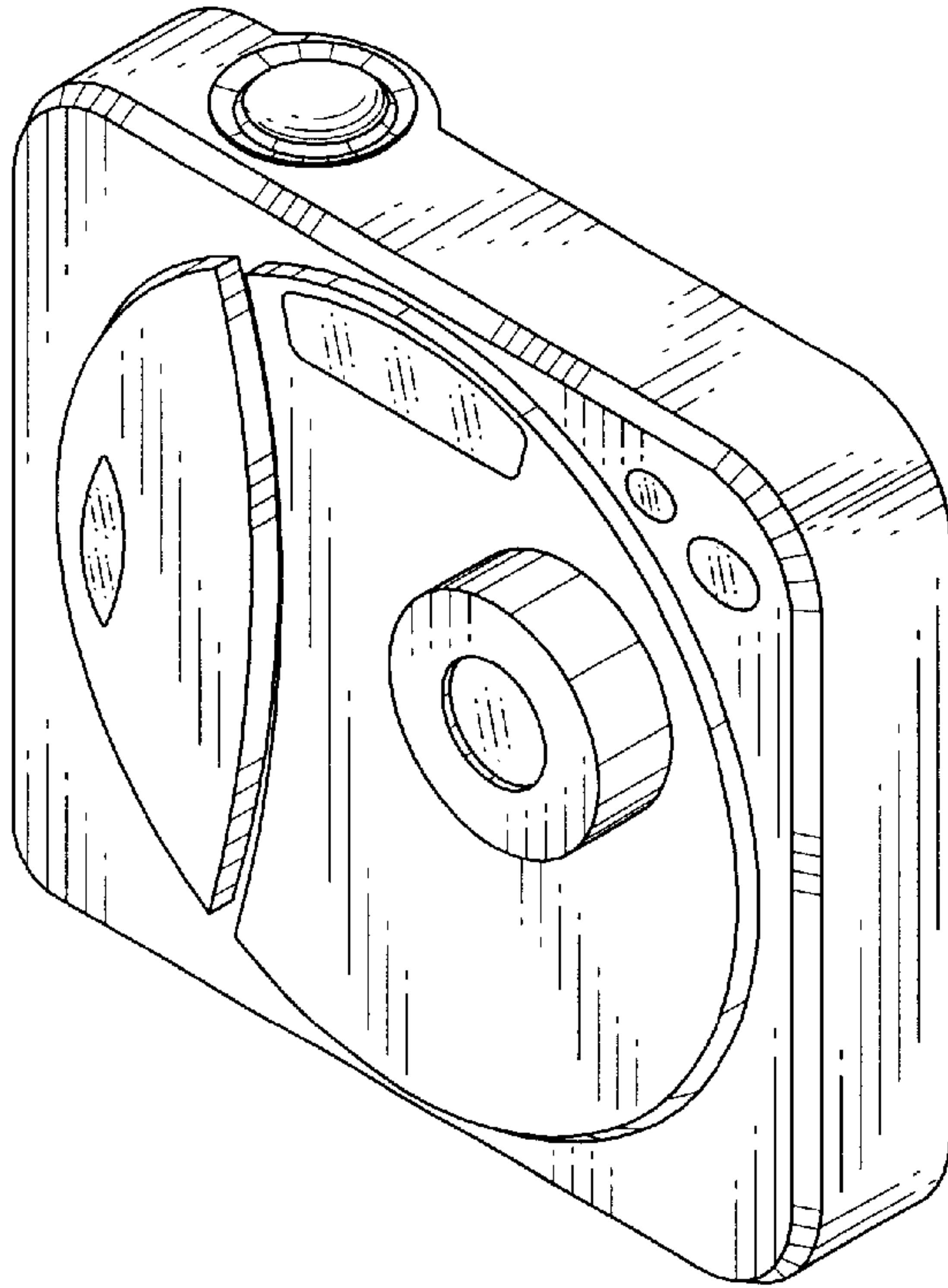


FIG. 2

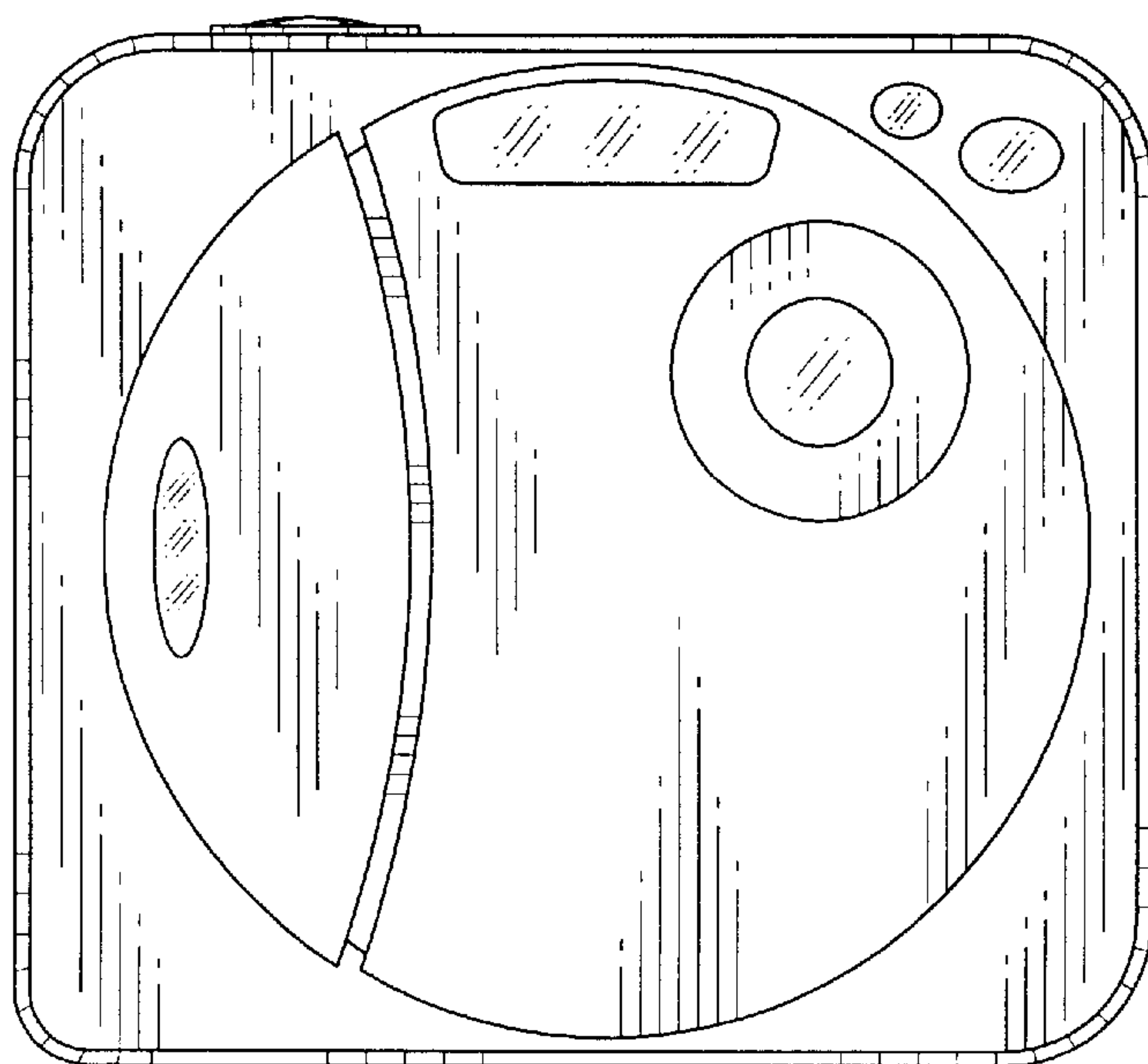


FIG. 3

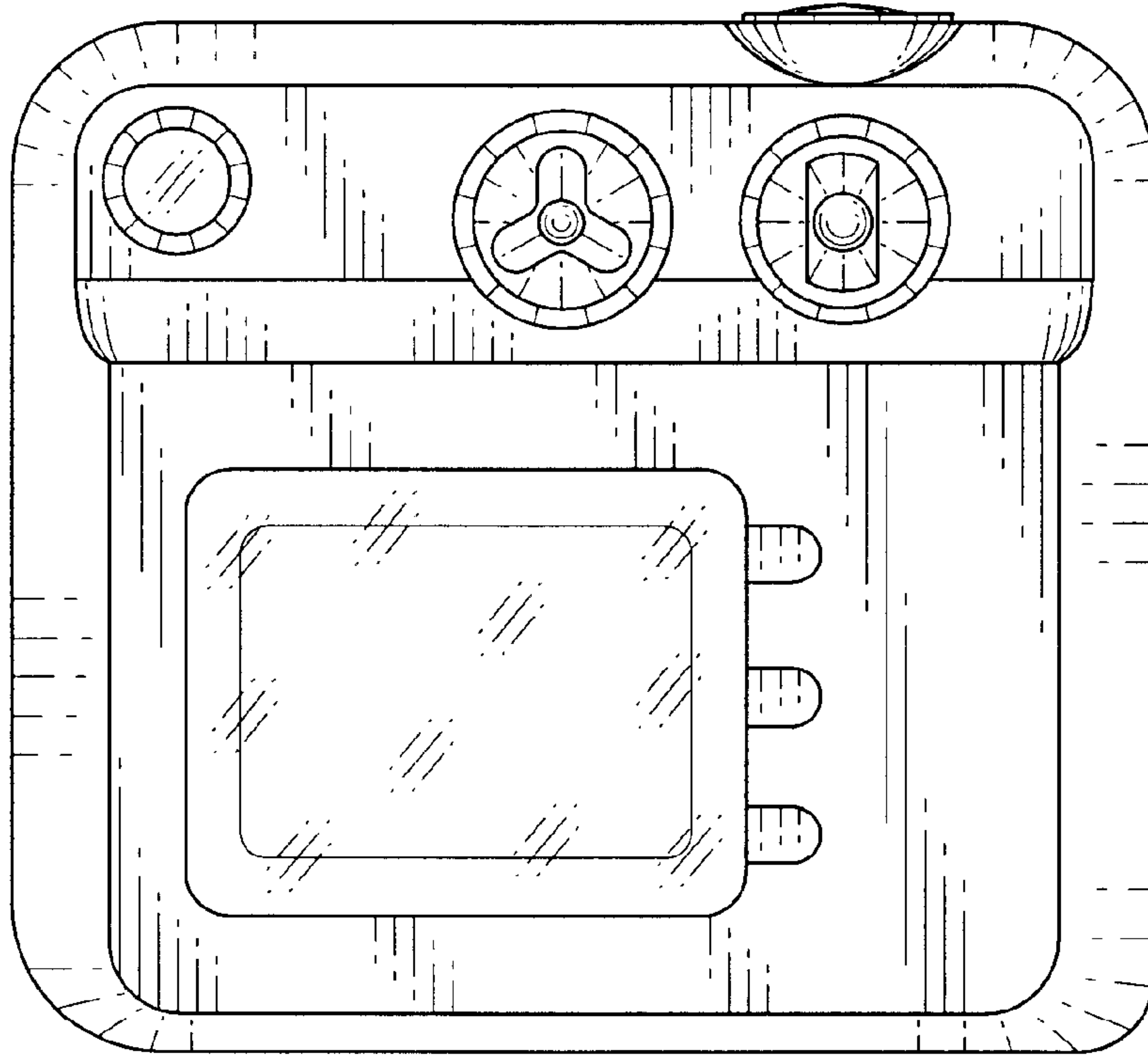


FIG. 4

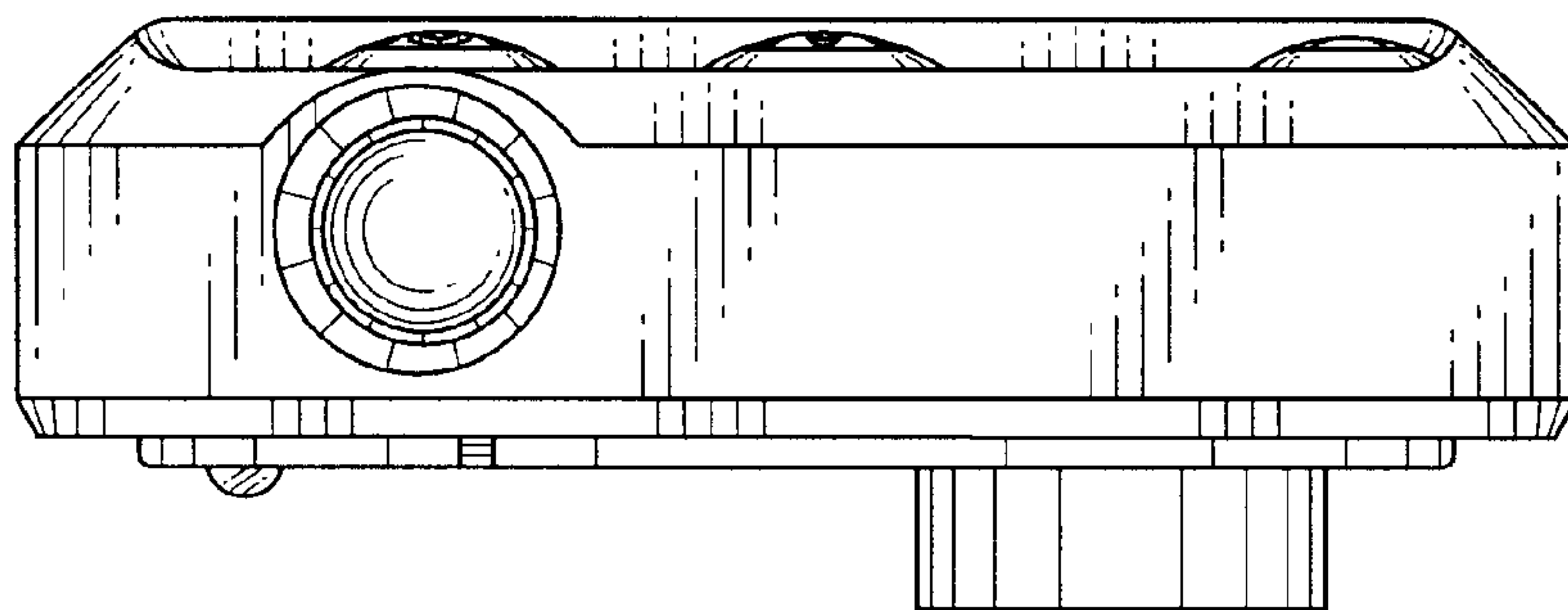


FIG. 5

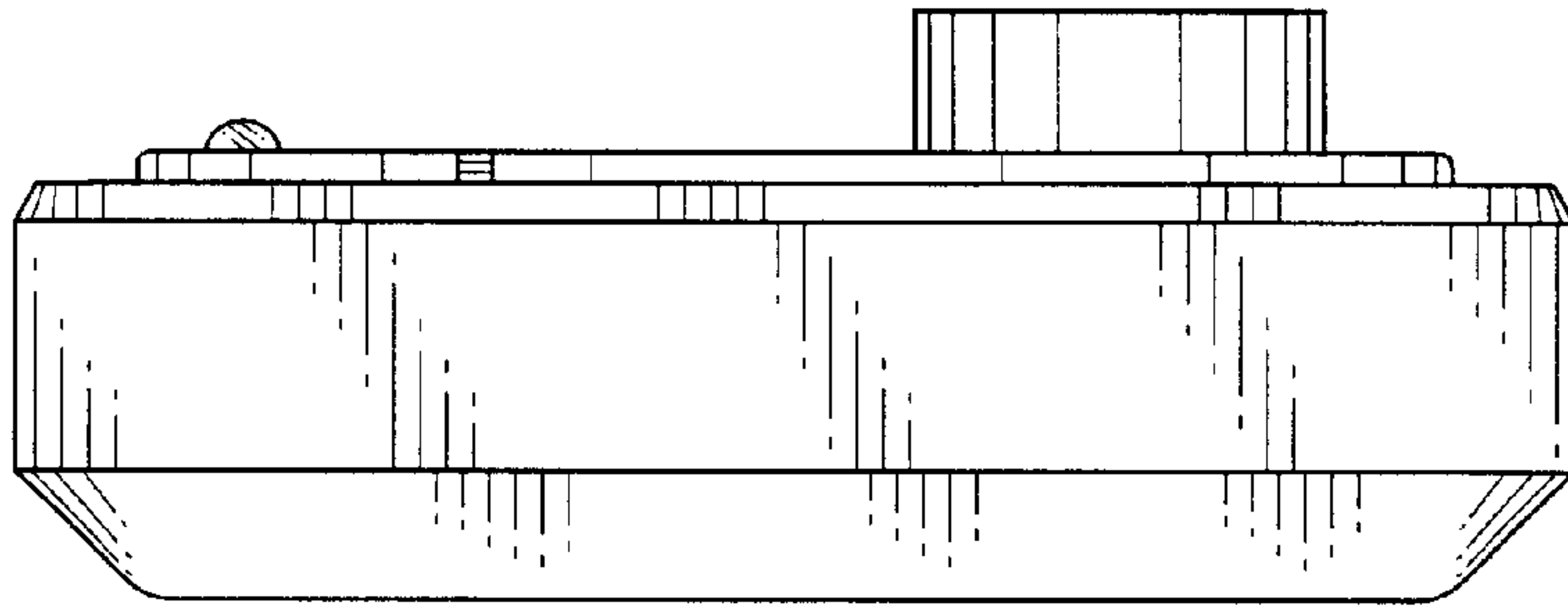


FIG. 6

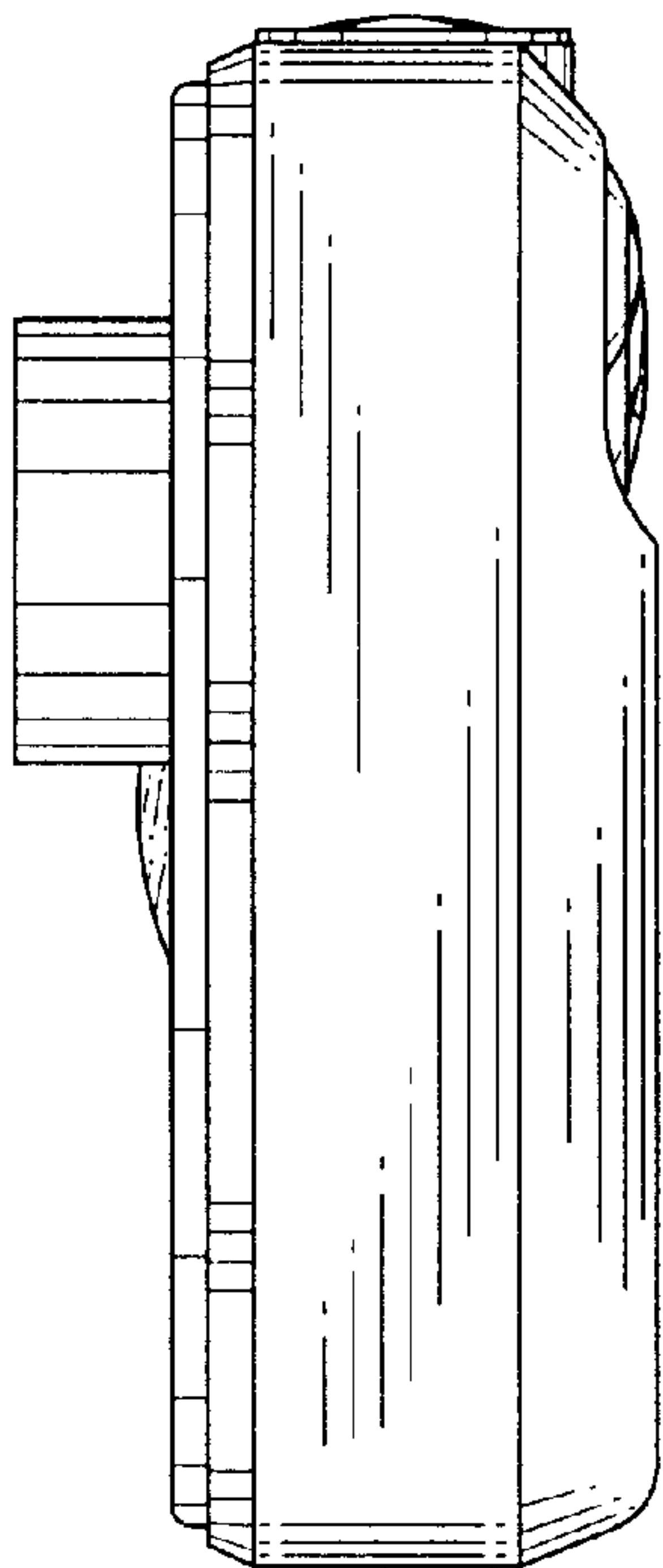


FIG. 7

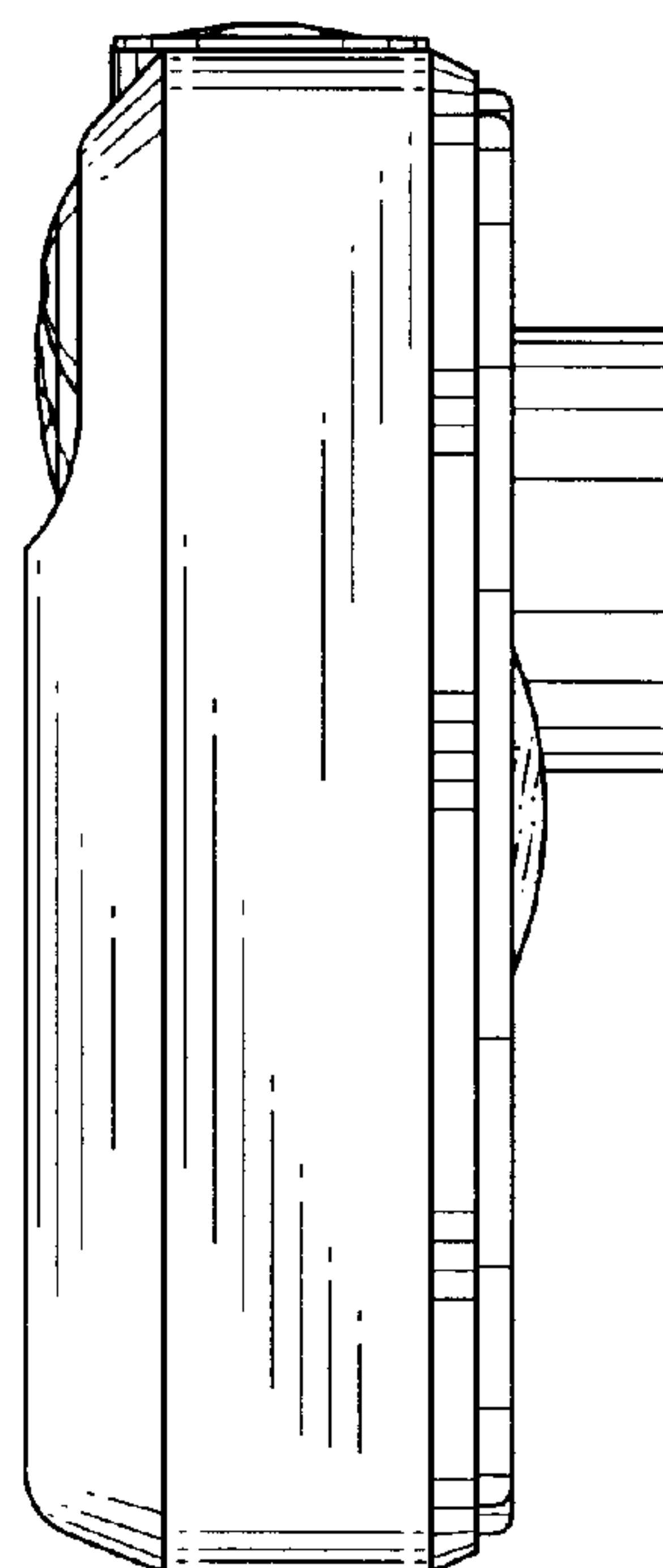


FIG. 8

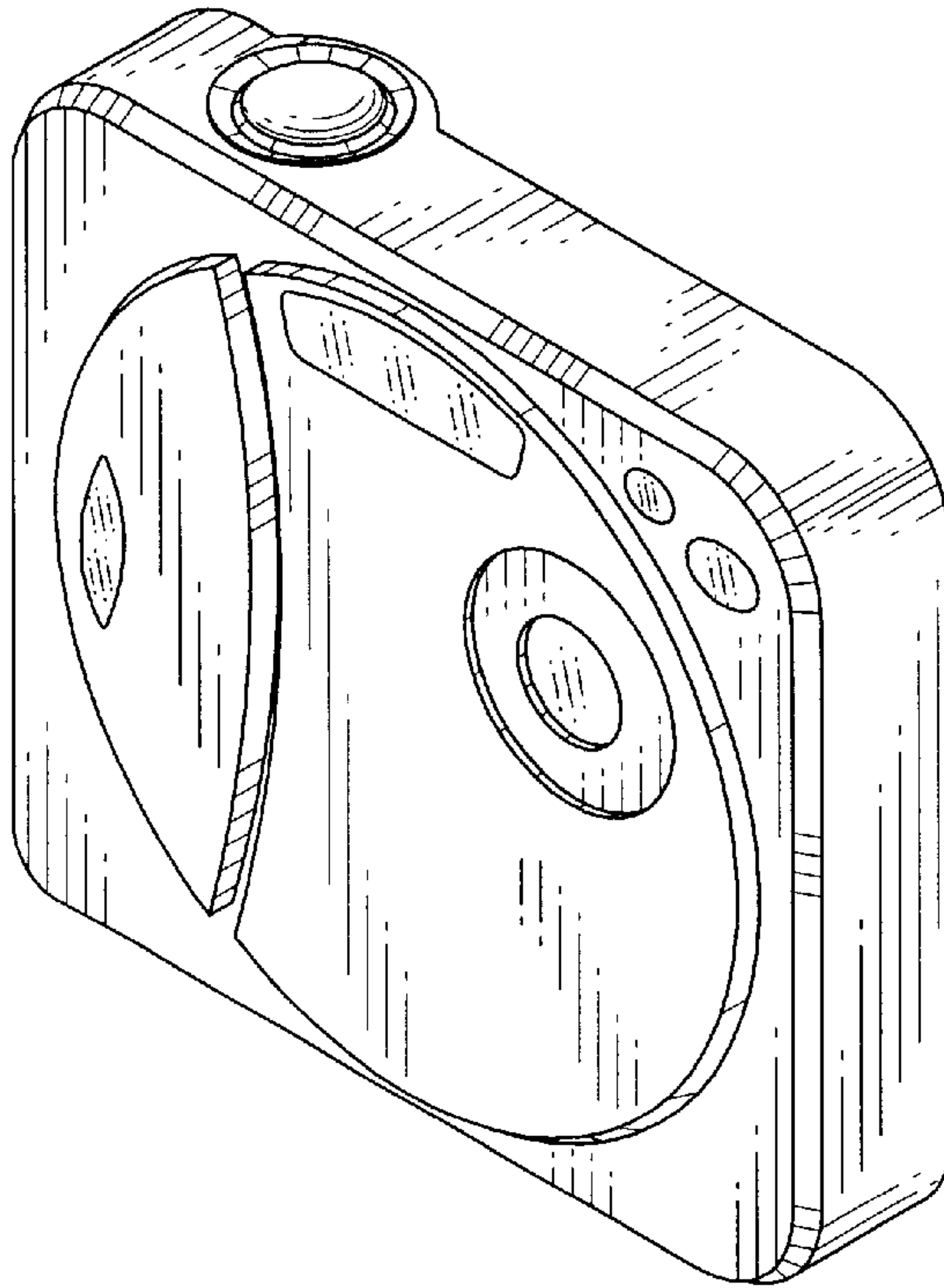


FIG. 9

