



US00D475381S

(12) **United States Design Patent**
Komatsu

(10) **Patent No.:** **US D475,381 S**

(45) **Date of Patent:** **** Jun. 3, 2003**

(54) **DIGITAL CAMERA**

D467,259 S * 12/2002 Hung et al. D16/218

(75) Inventor: **Hiroshi Komatsu**, Yokohama (JP)

OTHER PUBLICATIONS

(73) Assignee: **Canon Kabushiki Kaisha**, Tokyo (JP)

Global Sources, Apr., 2002 (LW-B151 PC/Digital camera).*

(**) Term: **14 Years**

* cited by examiner

(21) Appl. No.: **29/164,892**

Primary Examiner—Adir Aronovich

(22) Filed: **Aug. 2, 2002**

(74) *Attorney, Agent, or Firm*—Fitzpatrick, Cella, Harper & Scinto

(30) **Foreign Application Priority Data**

(57) **CLAIM**

Feb. 8, 2002 (JP) 2002-003080

The ornamental design for a digital camera, as shown and described.

(51) **LOC (7) Cl.** **16-01**

(52) **U.S. Cl.** **D16/202**; D16/218

(58) **Field of Search** D16/200–205,
D16/208, 218; 348/14.01–14.1, 373–376;
358/909.1; 396/535–541

DESCRIPTION

(56) **References Cited**

U.S. PATENT DOCUMENTS

- D412,003 S * 7/1999 Sumida et al. D16/202
- D445,441 S * 7/2001 Liu D16/202
- D448,785 S * 10/2001 Chou D16/202
- 6,323,902 B1 * 11/2001 Ishikawa 348/373
- D464,365 S * 10/2002 Su D16/202

FIG. 1 is a front view of a digital camera showing my new design;
 FIG. 2 is a rear view thereof;
 FIG. 3 is a top plan view thereof;
 FIG. 4 is a bottom plan view thereof;
 FIG. 5 is a left side view thereof;
 FIG. 6 is a right side view thereof; and,
 FIG. 7 is a perspective view thereof.

1 Claim, 4 Drawing Sheets

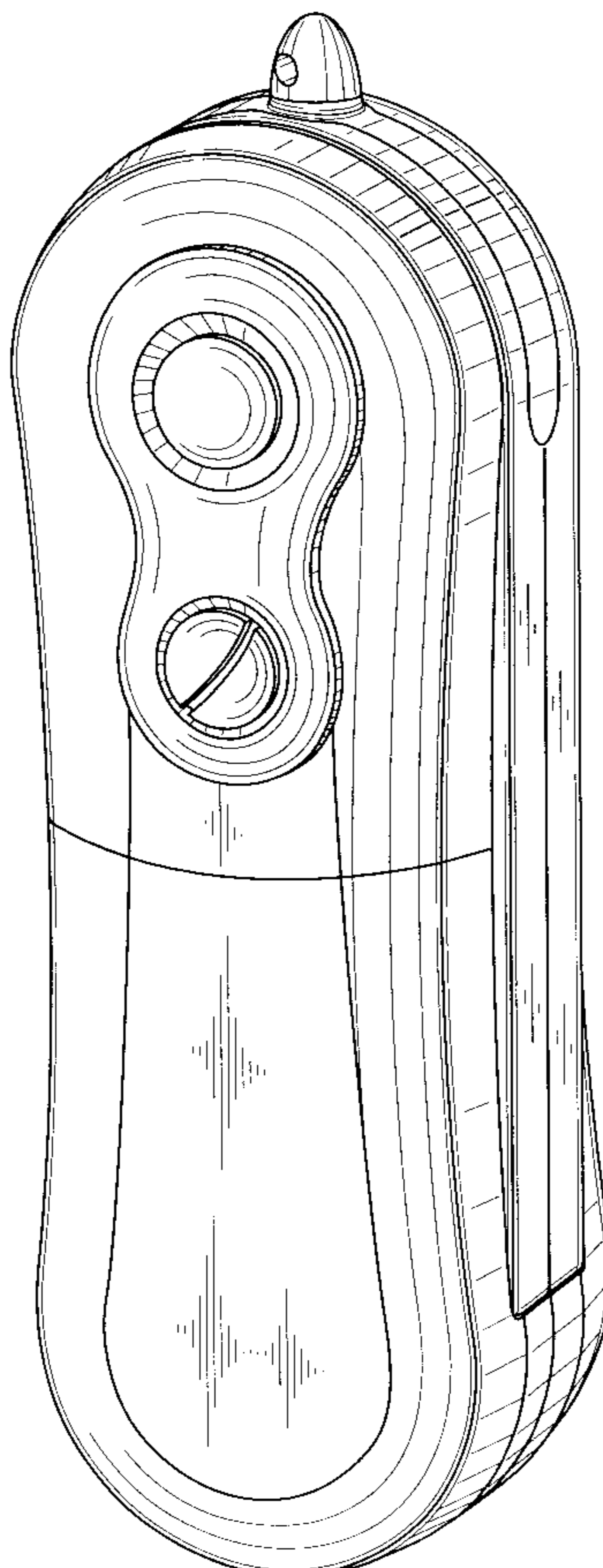


FIG. 1

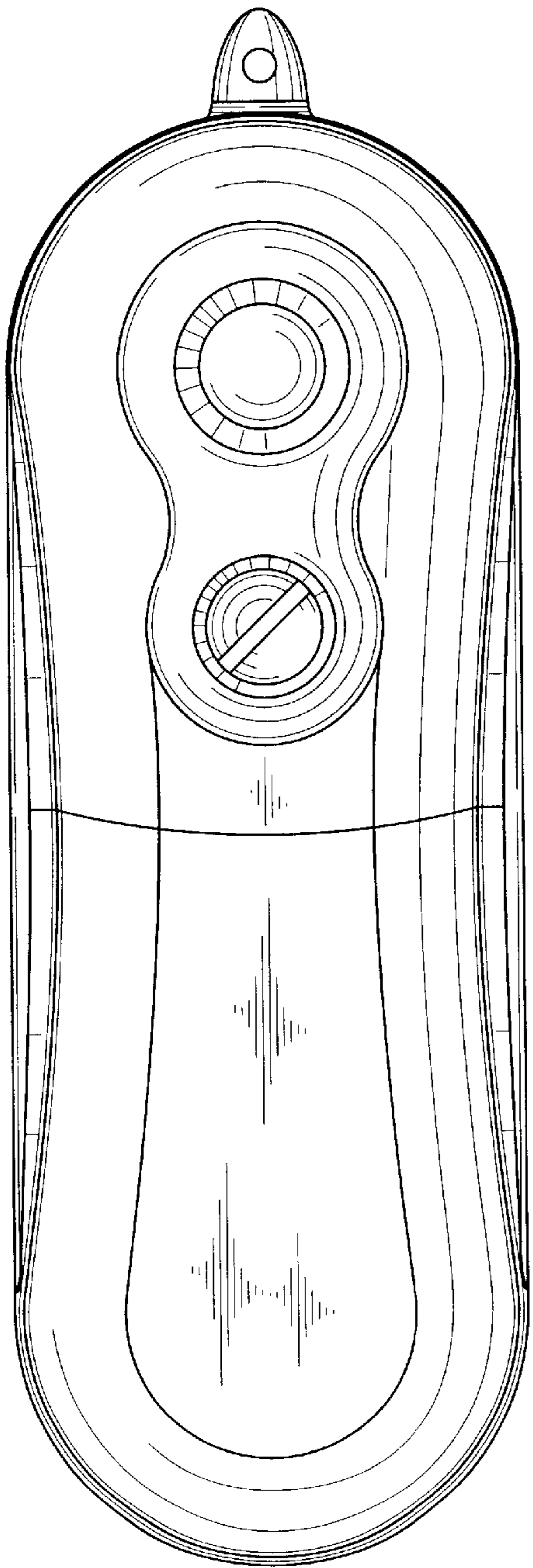


FIG. 2

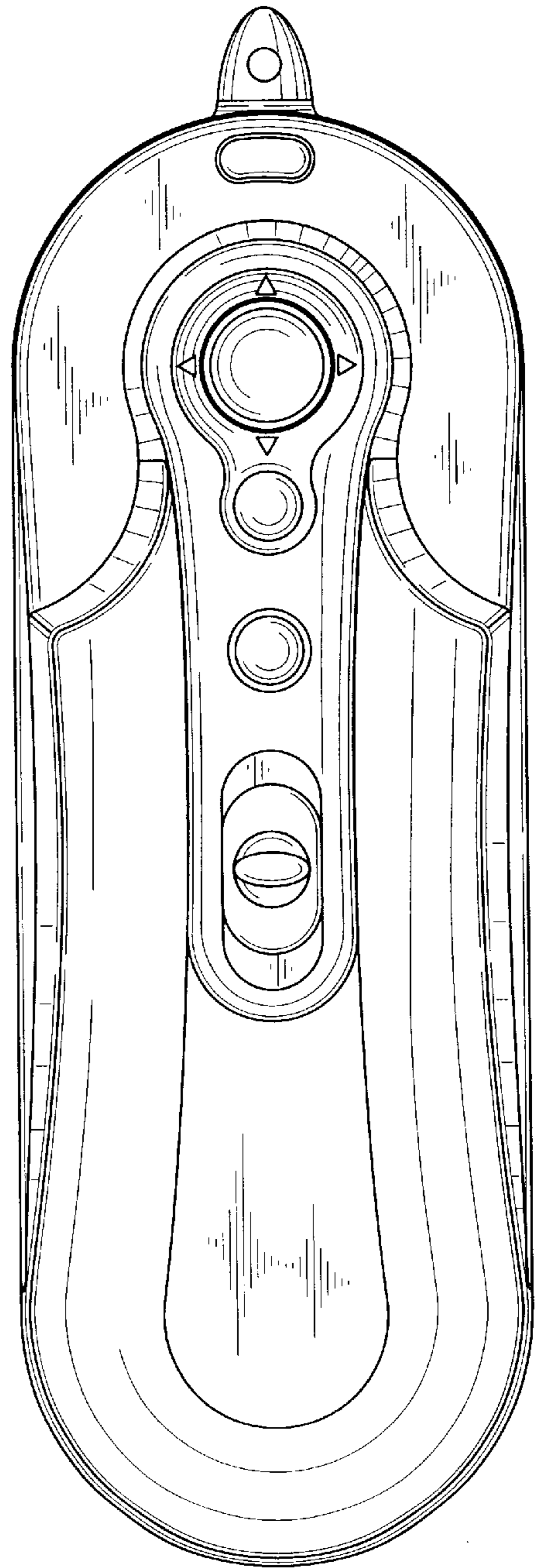


FIG. 3

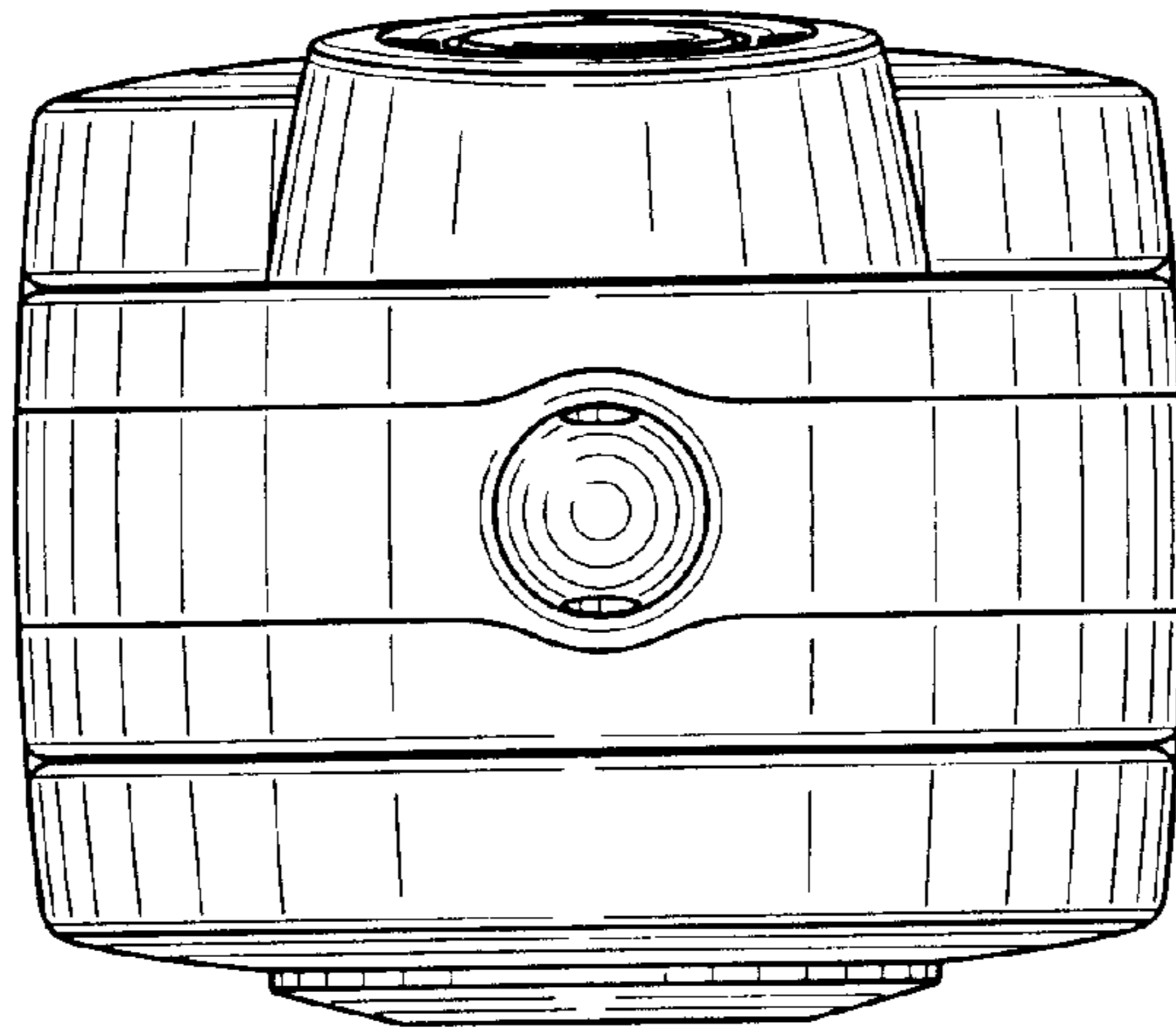


FIG. 4

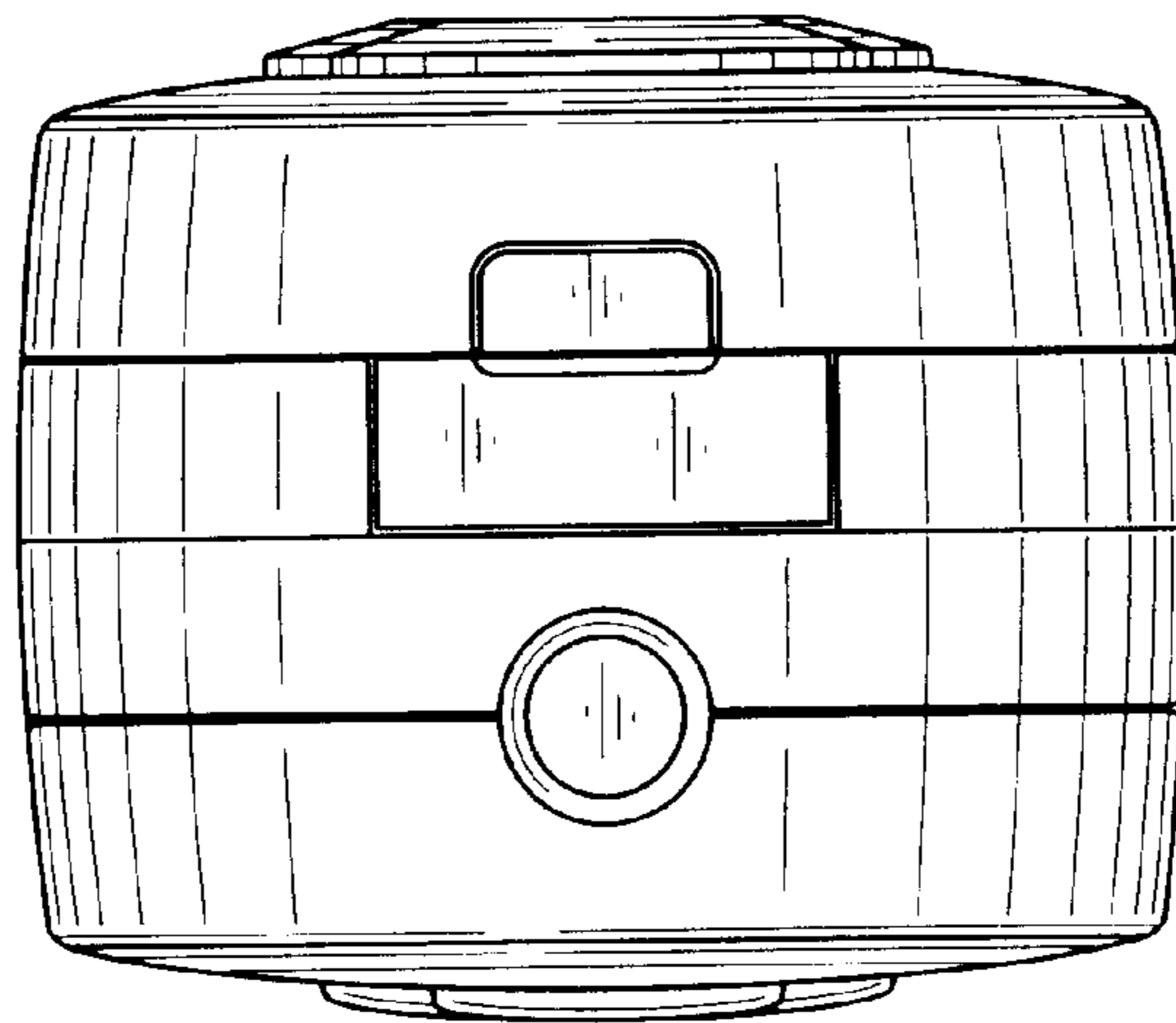


FIG. 5

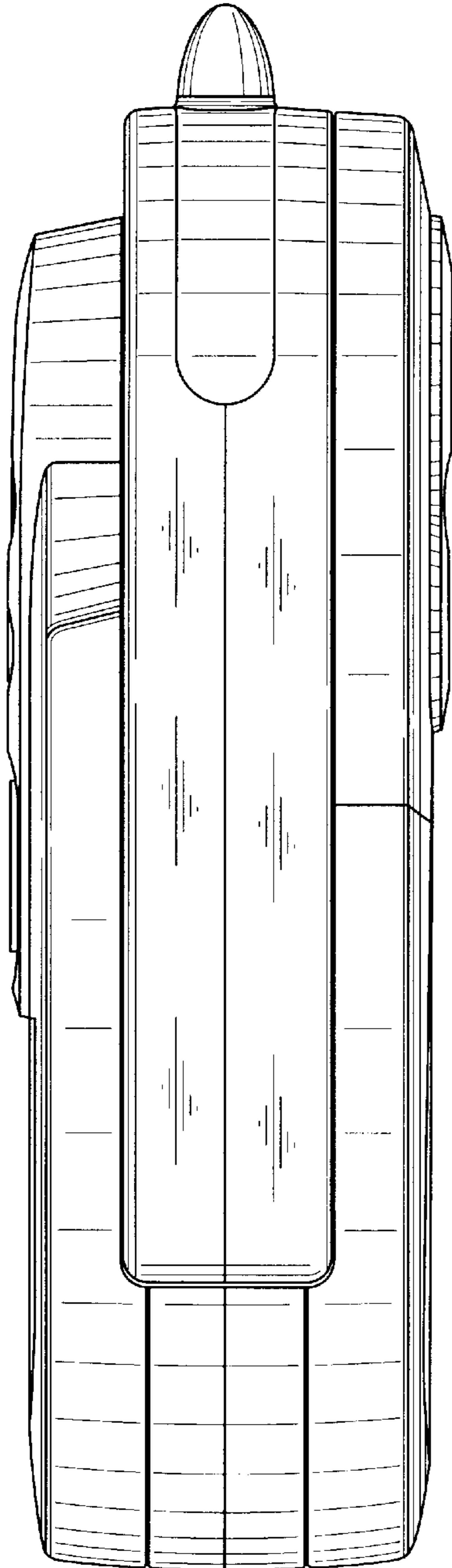


FIG. 6



FIG. 7

