



US00D475376S

(12) **United States Design Patent**  
**Sikström et al.**

(10) **Patent No.:** **US D475,376 S**

(45) **Date of Patent:** **\*\* Jun. 3, 2003**

(54) **CUTTING TOOL**

(75) Inventors: **Ronnie Sikström**, Sandviken (SE);  
**Sture Sjöö**, Gävle (SE)

(73) Assignee: **Sandvik Aktiebolag**, Sandviken (SE)

(\*\*) Term: **14 Years**

(21) Appl. No.: **29/156,807**

(22) Filed: **Mar. 11, 2002**

(30) **Foreign Application Priority Data**

Sep. 11, 2001	(SE)	.....	01-1472
Sep. 11, 2001	(SE)	.....	01-1476
Sep. 11, 2001	(SE)	.....	01-1479

(51) **LOC (7) Cl.** ..... **15-09**

(52) **U.S. Cl.** ..... **D15/139**

(58) **Field of Search** ..... D15/138, 139;  
407/97-102, 110, 111, 117

(56) **References Cited**

**U.S. PATENT DOCUMENTS**

5,688,080 A	*	11/1997	Hedlund	.....	407/101
6,176,649 B1	*	1/2001	Friedman	.....	407/110

**OTHER PUBLICATIONS**

Turning Tools and Inserts Catalog, Mar. 2000, Sandvik, Denmark, pp. A77, A105-A107, and A113.

\* cited by examiner

*Primary Examiner*—Antoine Duval Davis

(74) *Attorney, Agent, or Firm*—Burns, Doane, Swecker & Mathis, L.L.P.

(57) **CLAIM**

The ornamental design for a cutting tool, as shown and described.

**DESCRIPTION**

FIG. 1 is a top, front perspective view of a cutting tool showing a first embodiment of our new design.

FIG. 2 is a top plan view thereof.

FIG. 3 is a bottom plan view thereof.

FIG. 4 is a right side elevational view thereof.

FIG. 5 is a left side elevational view thereof.

FIG. 6 is a front elevational view thereof.

FIG. 7 is a top, front perspective view of a cutting tool showing a second embodiment of our new design.

FIG. 8 is a top plan view thereof.

FIG. 9 is a bottom plan view thereof.

FIG. 10 is a right side elevational view thereof.

FIG. 11 is a left side elevational view thereof.

FIG. 12 is a front elevational view thereof.

FIG. 13 is a top, front perspective view of a third embodiment of our new design.

FIG. 14 is a top plan view thereof.

FIG. 15 is a bottom plan view thereof.

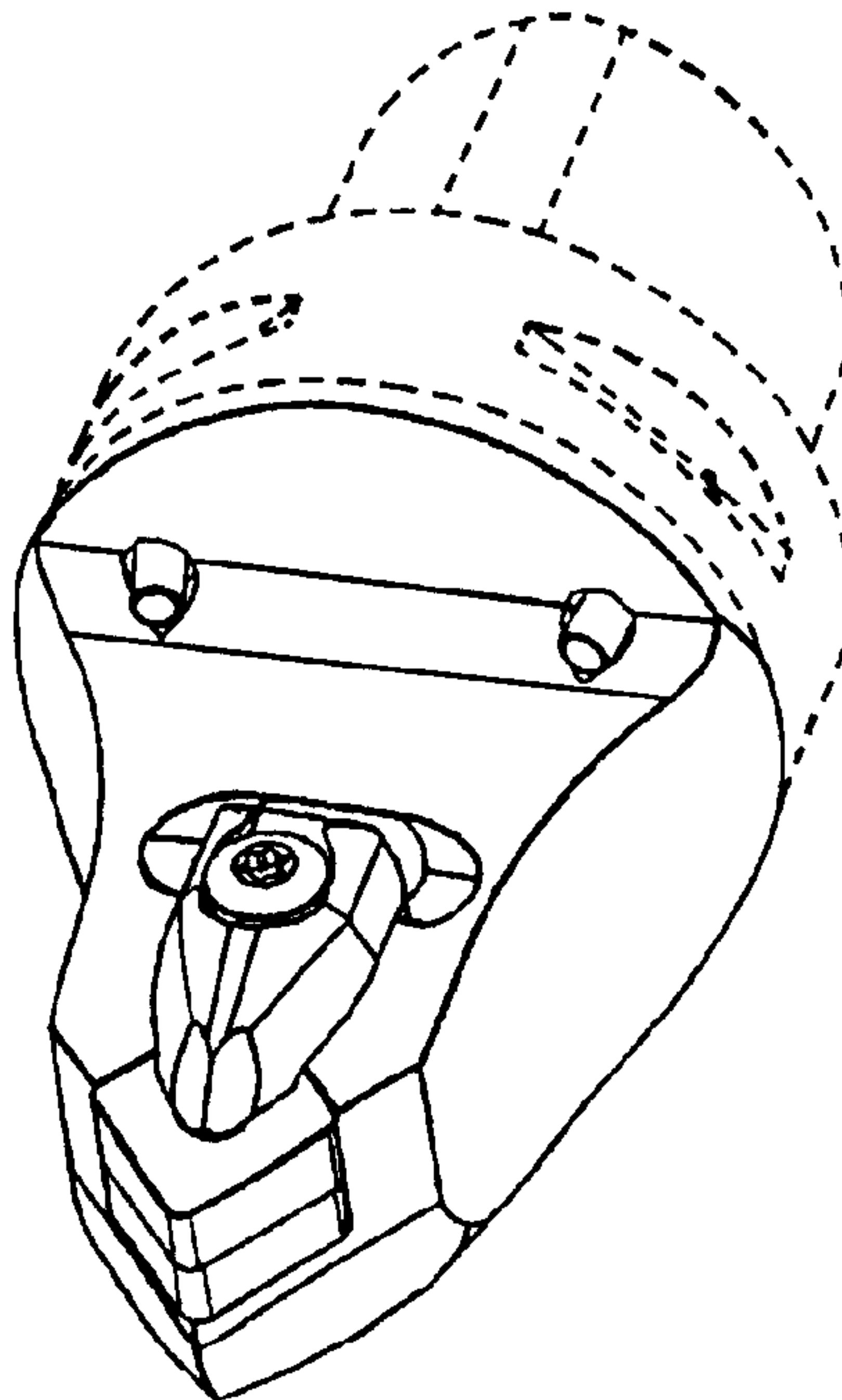
FIG. 16 is a right side elevational view thereof.

FIG. 17 is a left side elevational view thereof; and,

FIG. 18 is a front elevational view thereof.

The broken line showing of the rear portion of the cutting tool in FIGS. 1-5, 7-11 and 13-17 is for illustrative purposes only and forms no part of the claimed design.

**1 Claim, 3 Drawing Sheets**



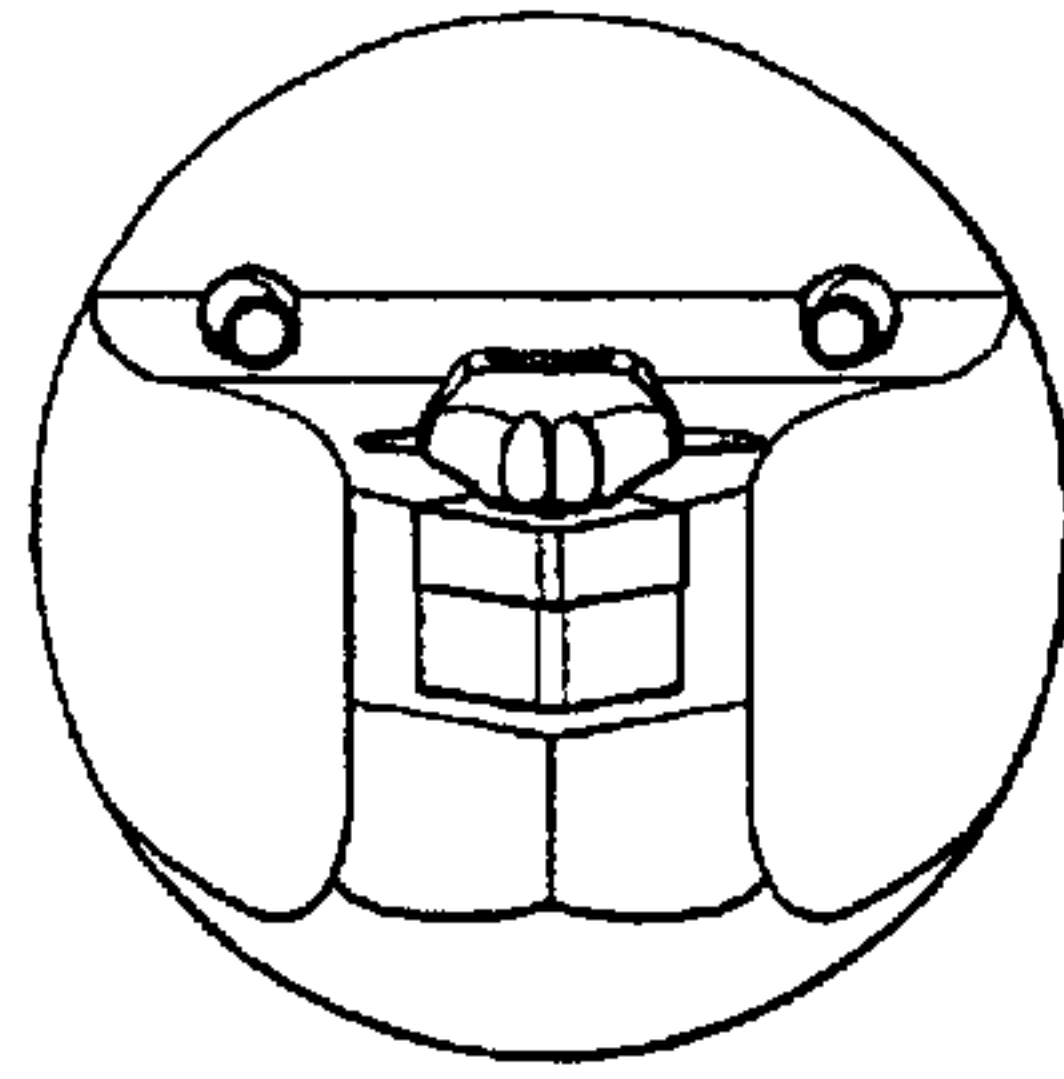


FIG. 6

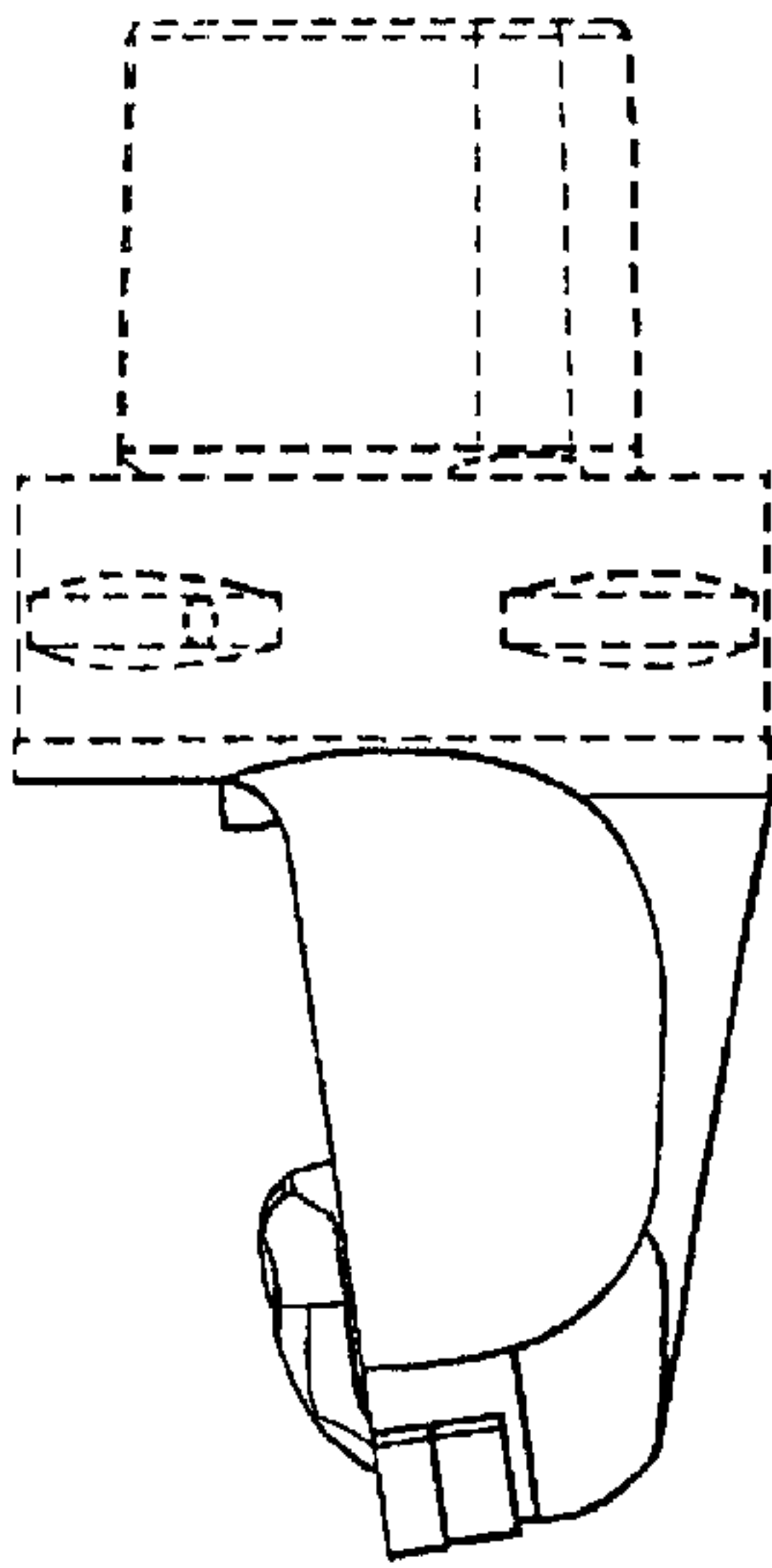


FIG. 4

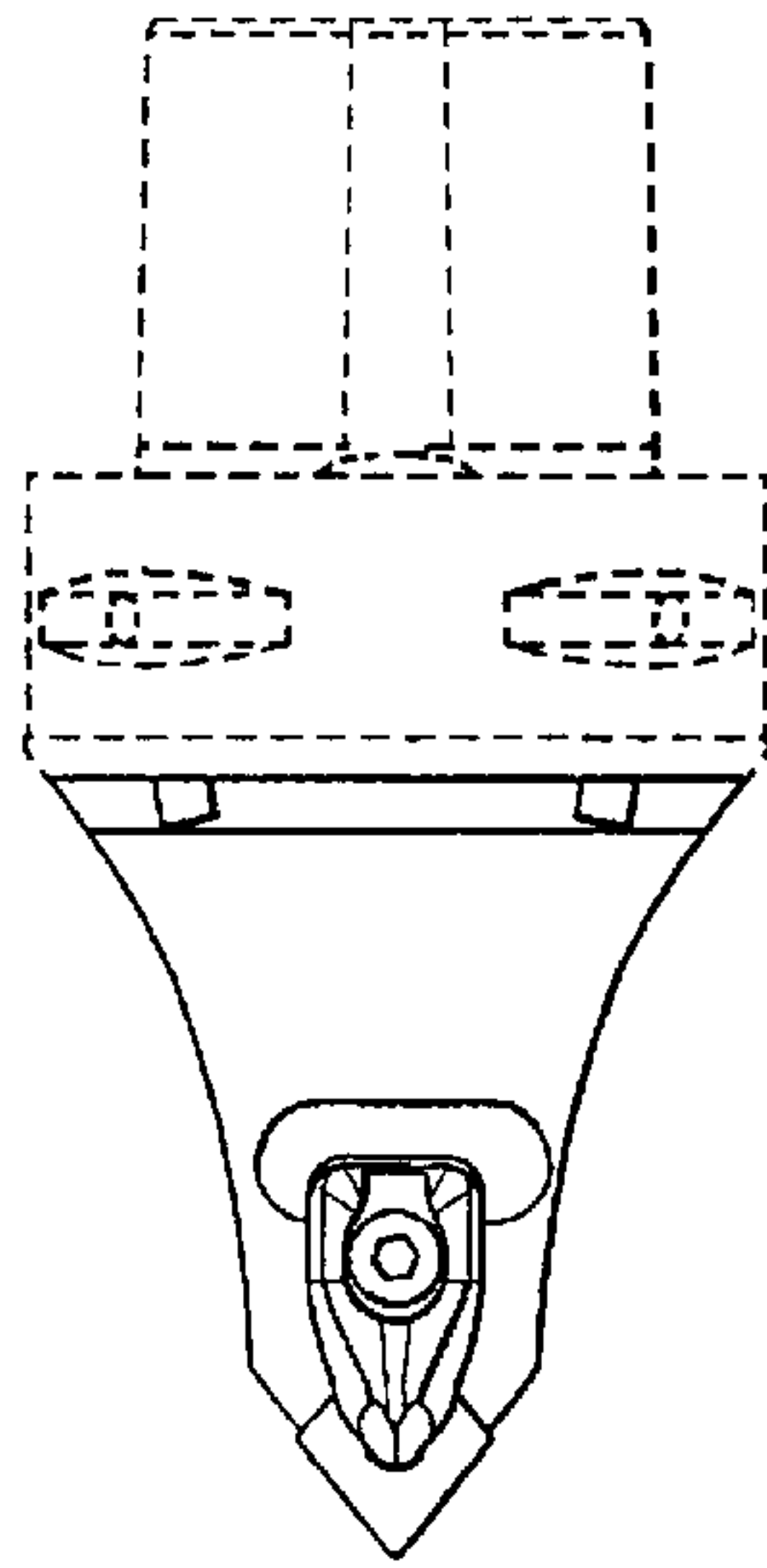


FIG. 2

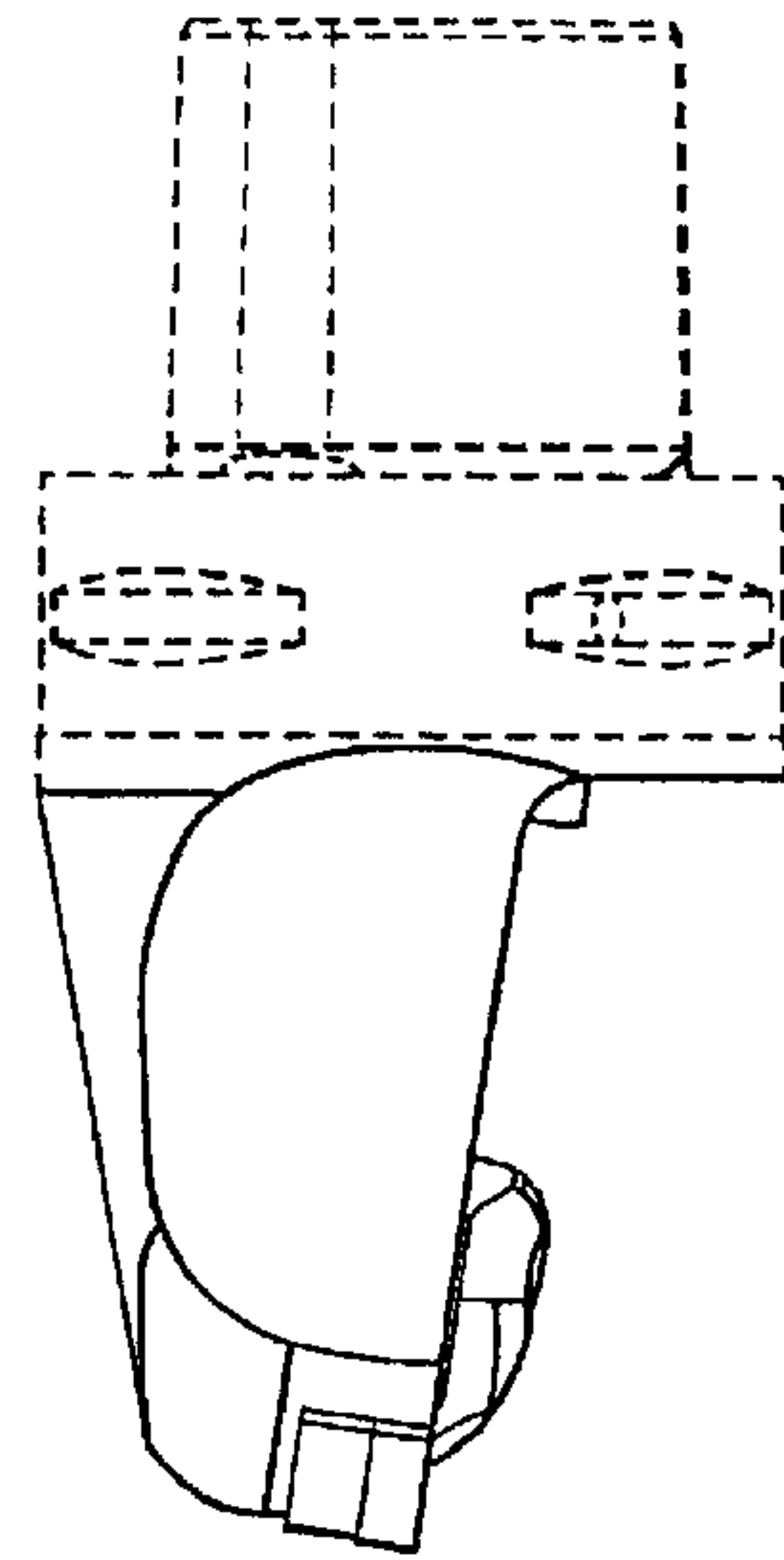


FIG. 5

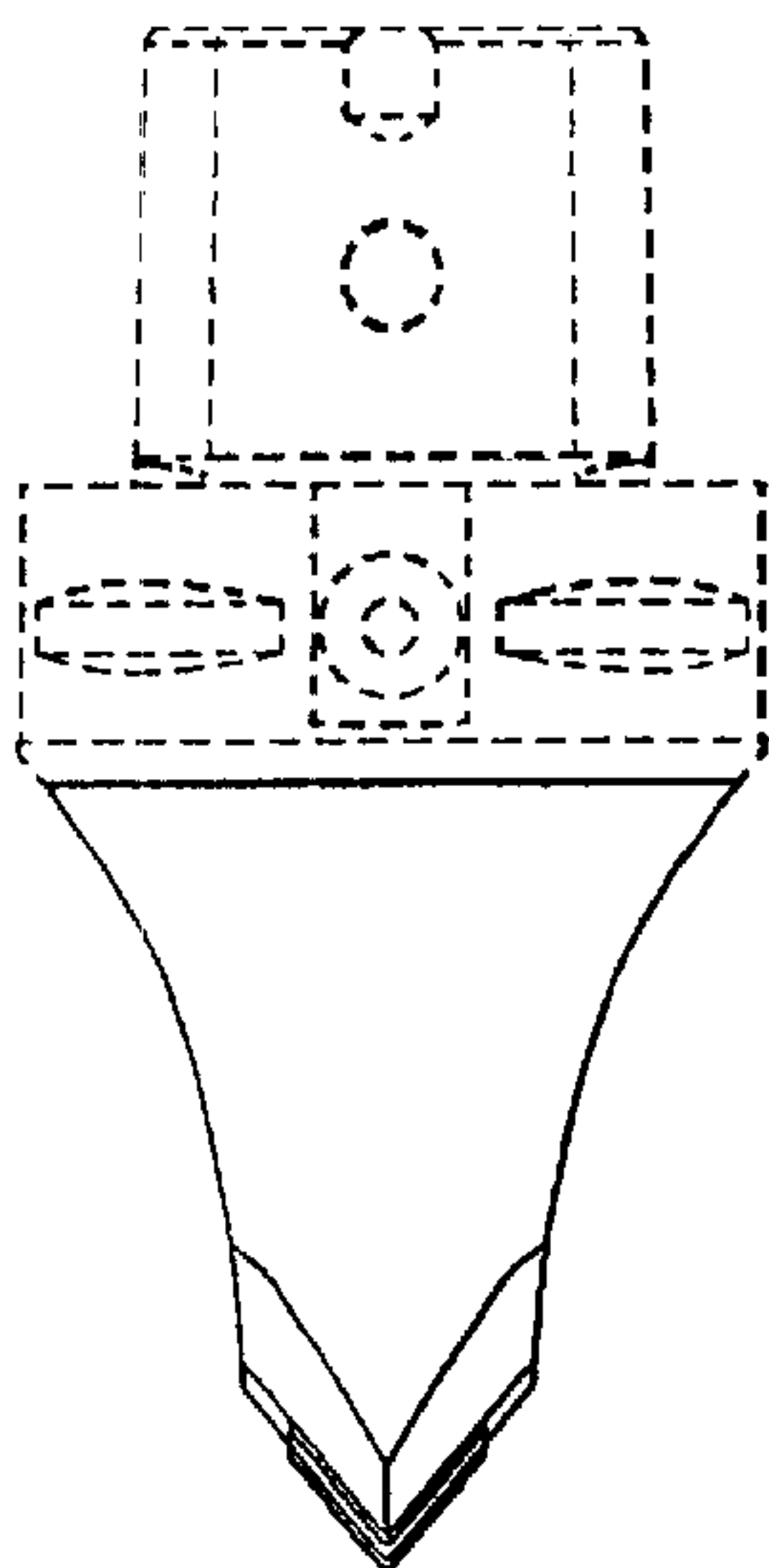


FIG. 3

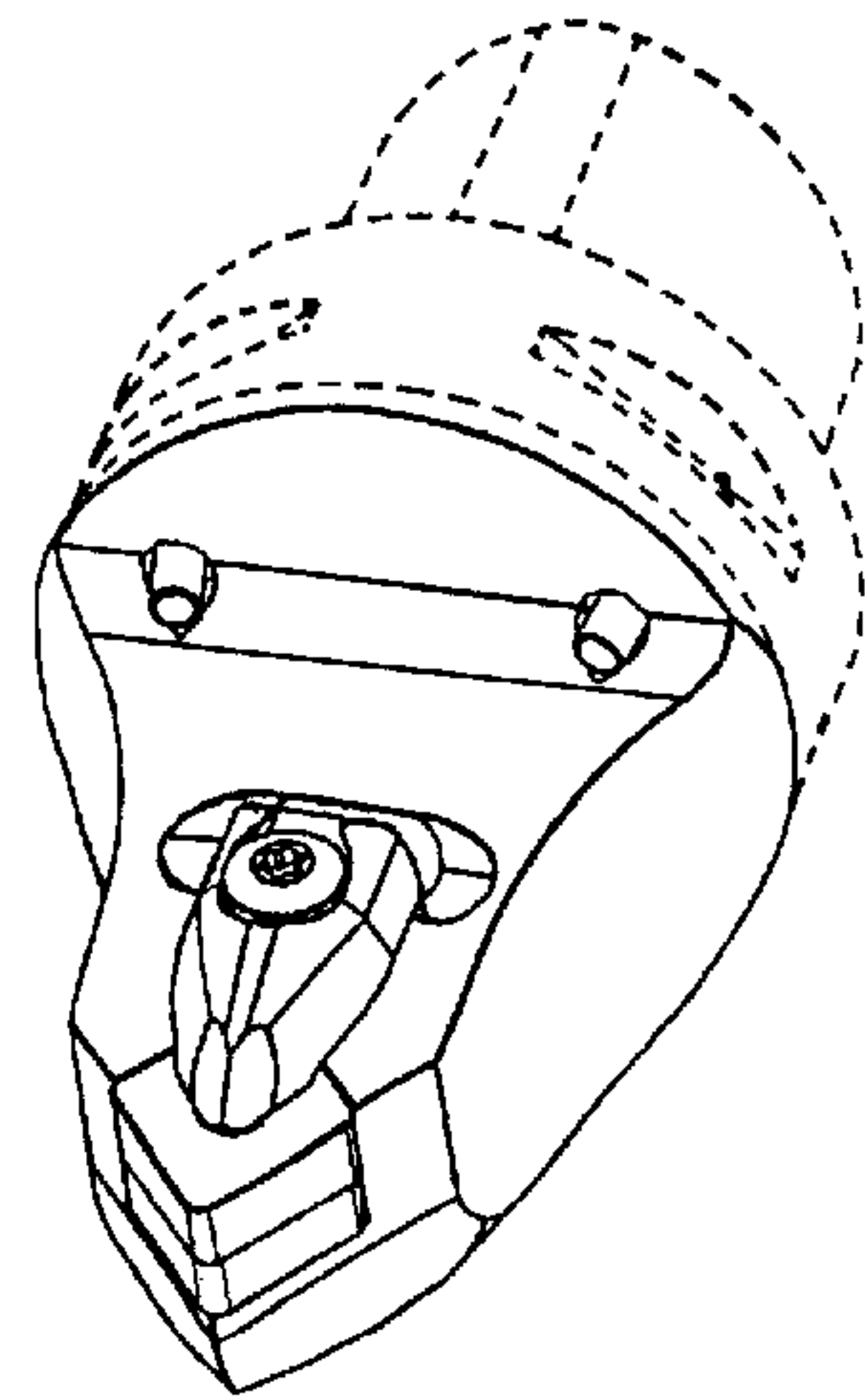


FIG. 1

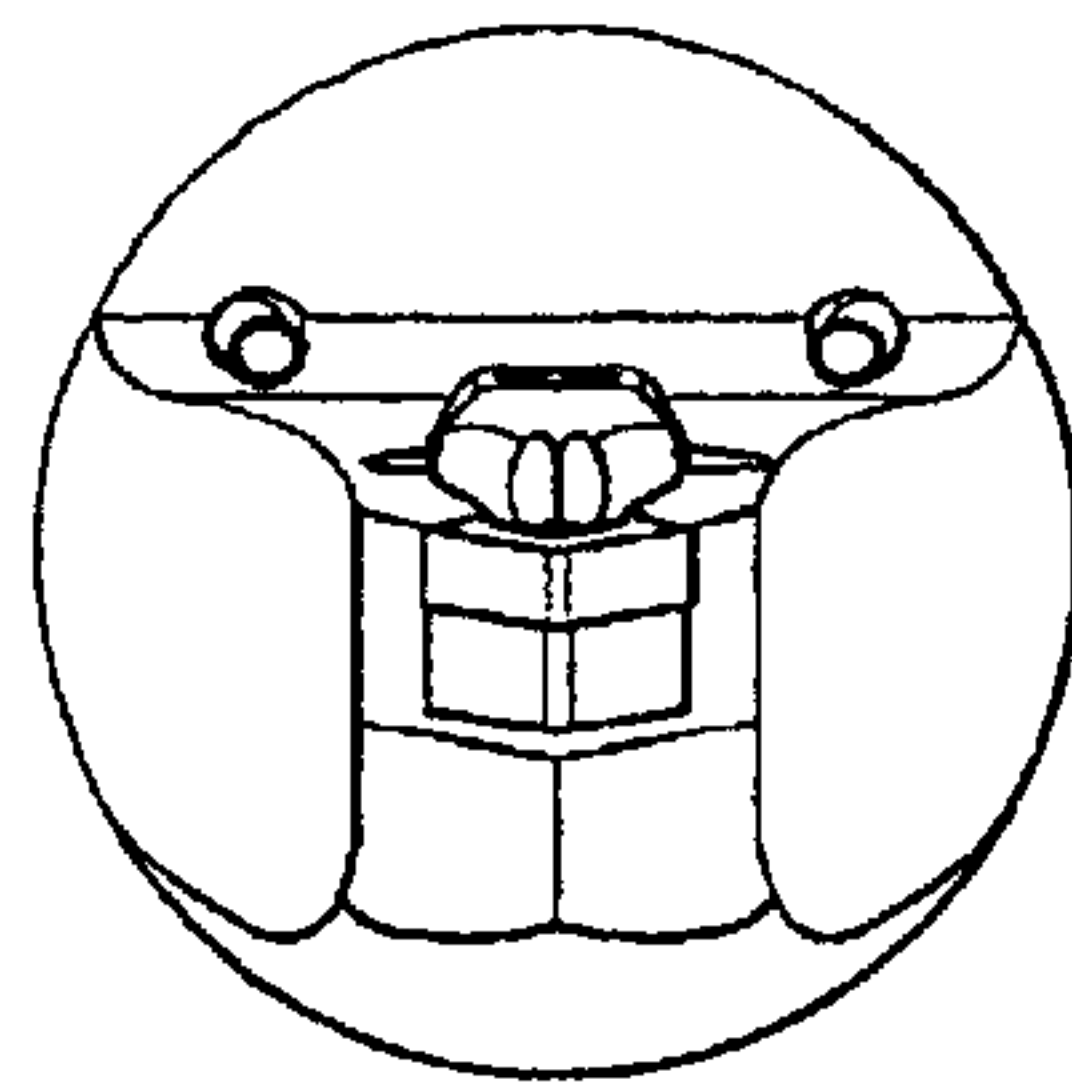


FIG. 12

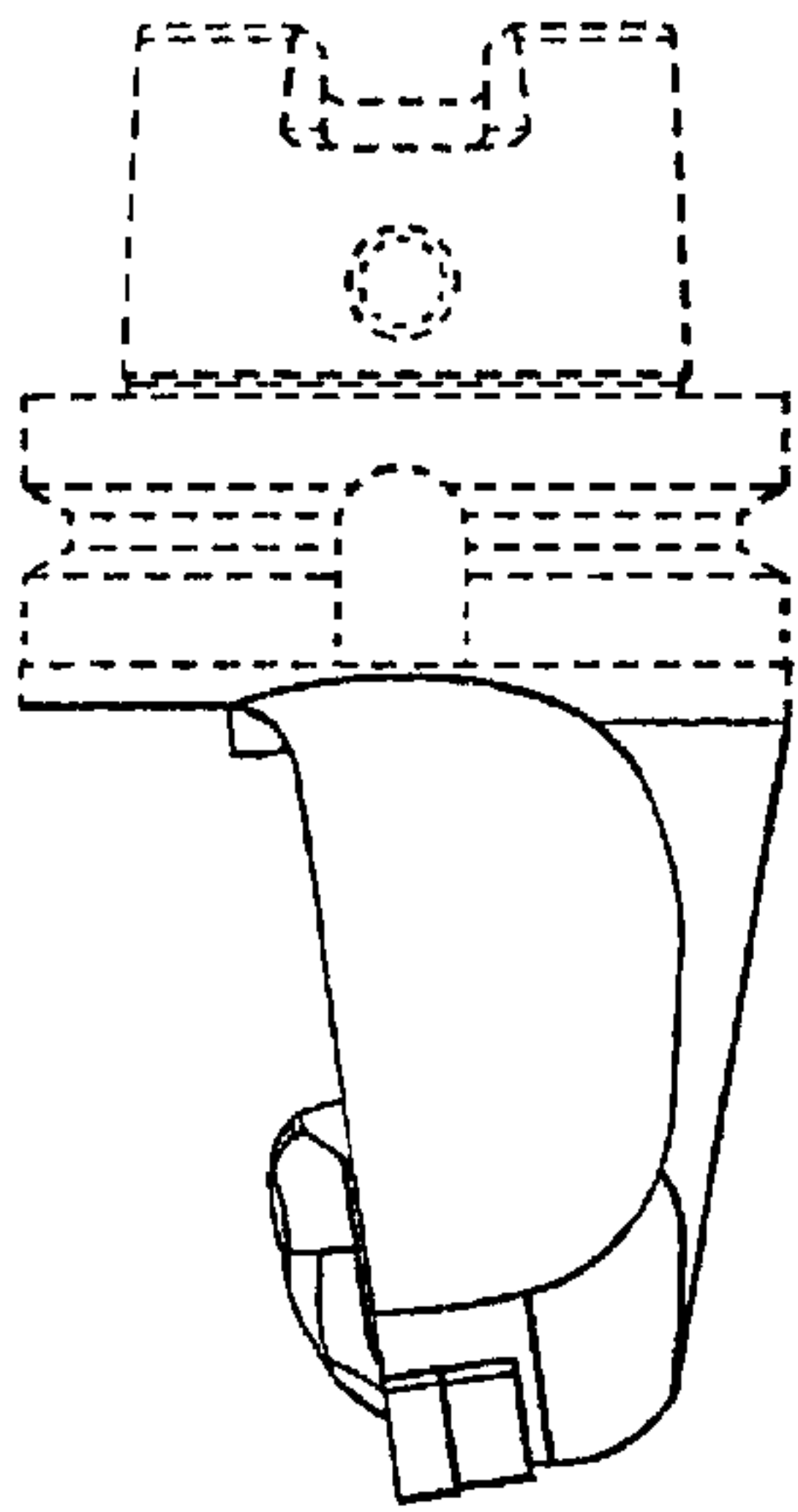


FIG. 10

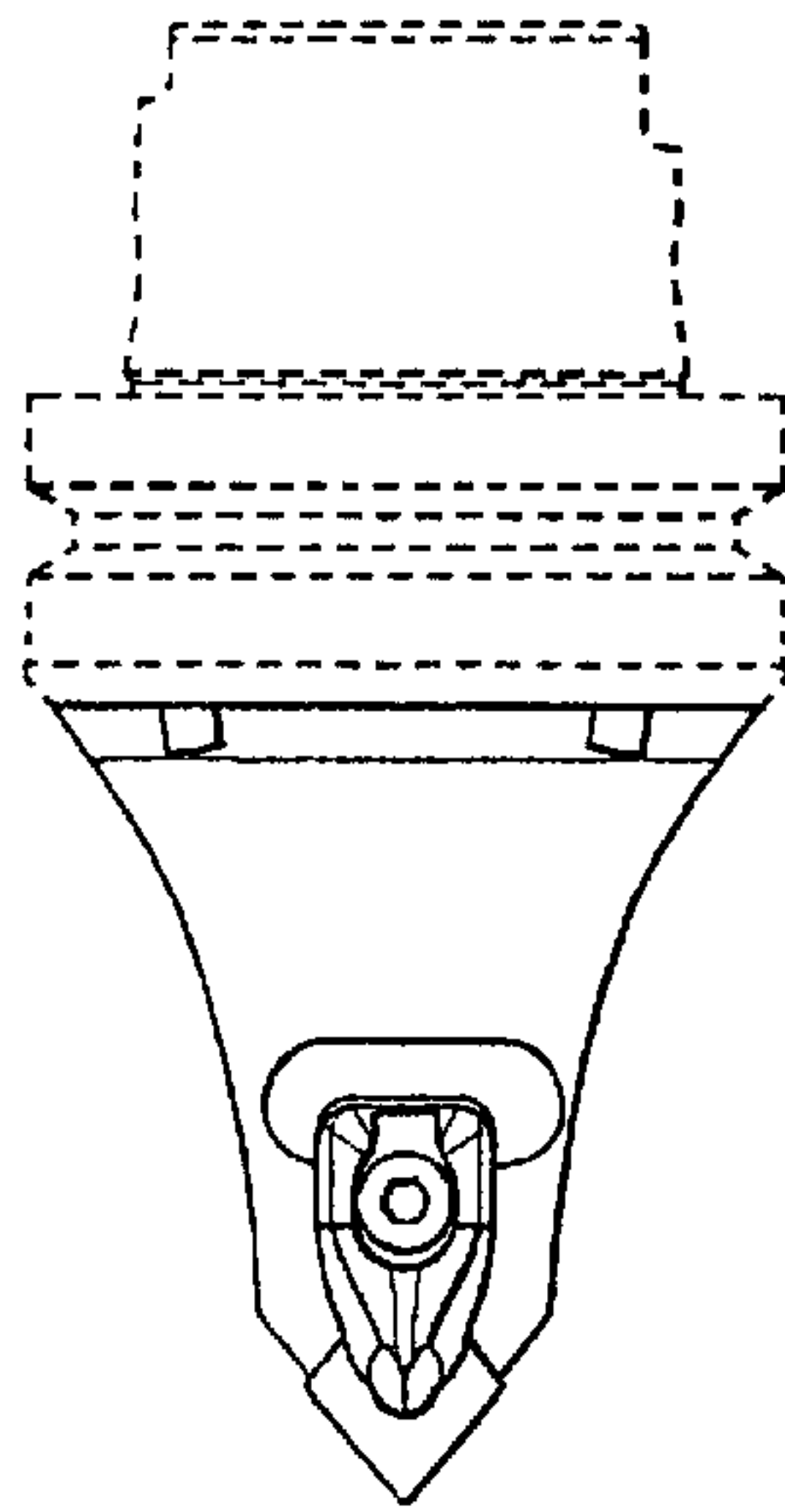


FIG. 8

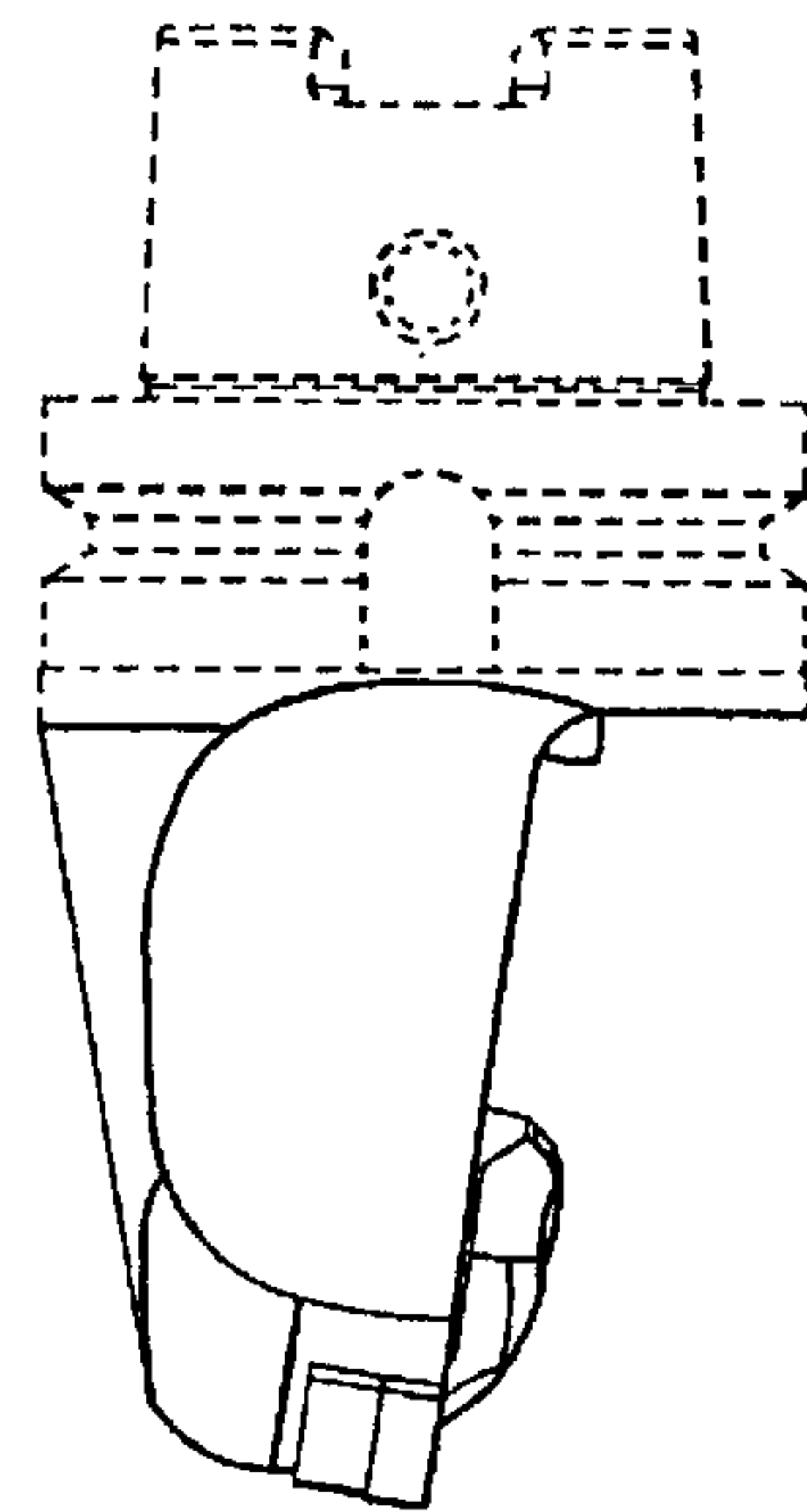


FIG. 11

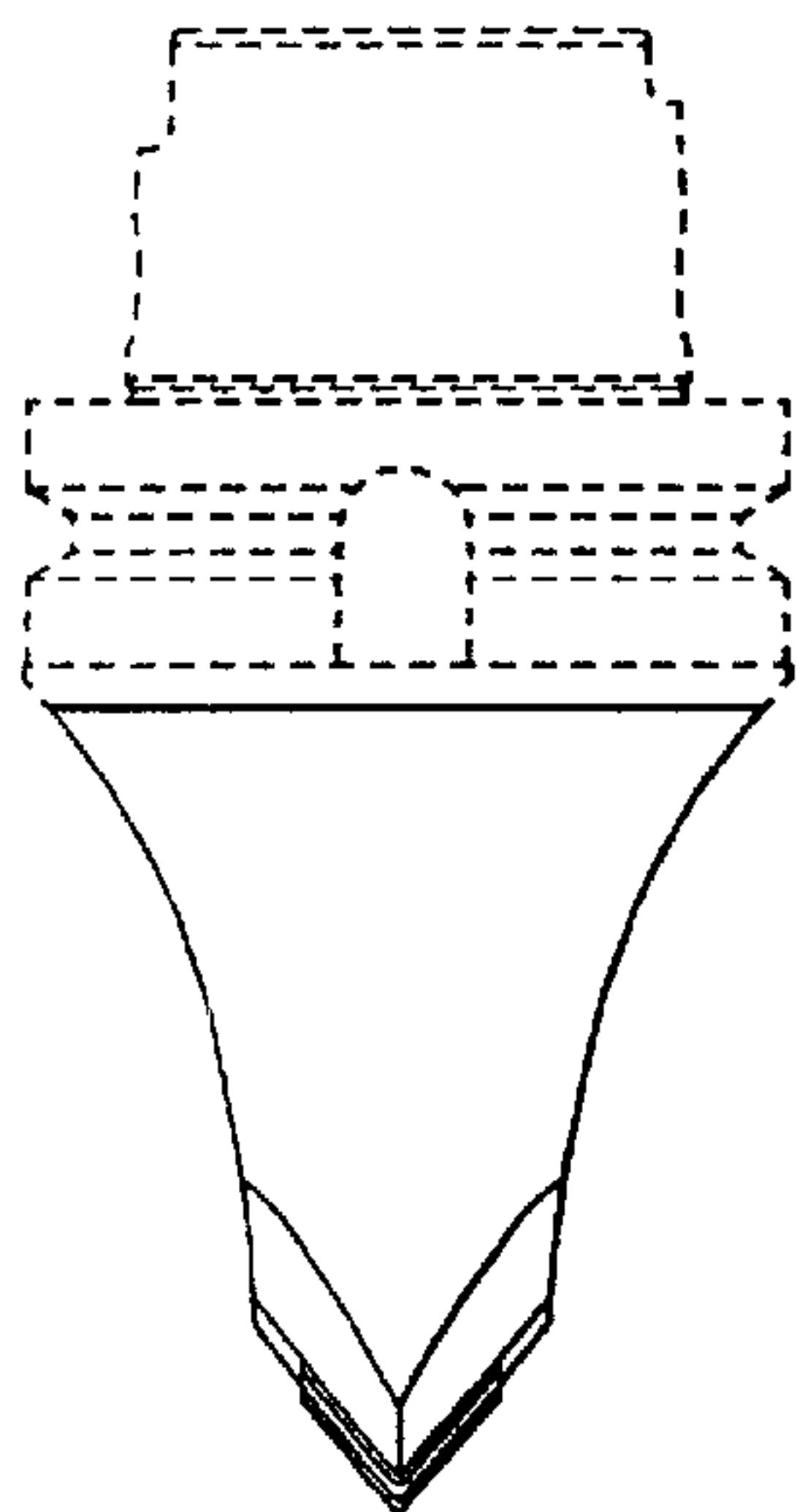


FIG. 9

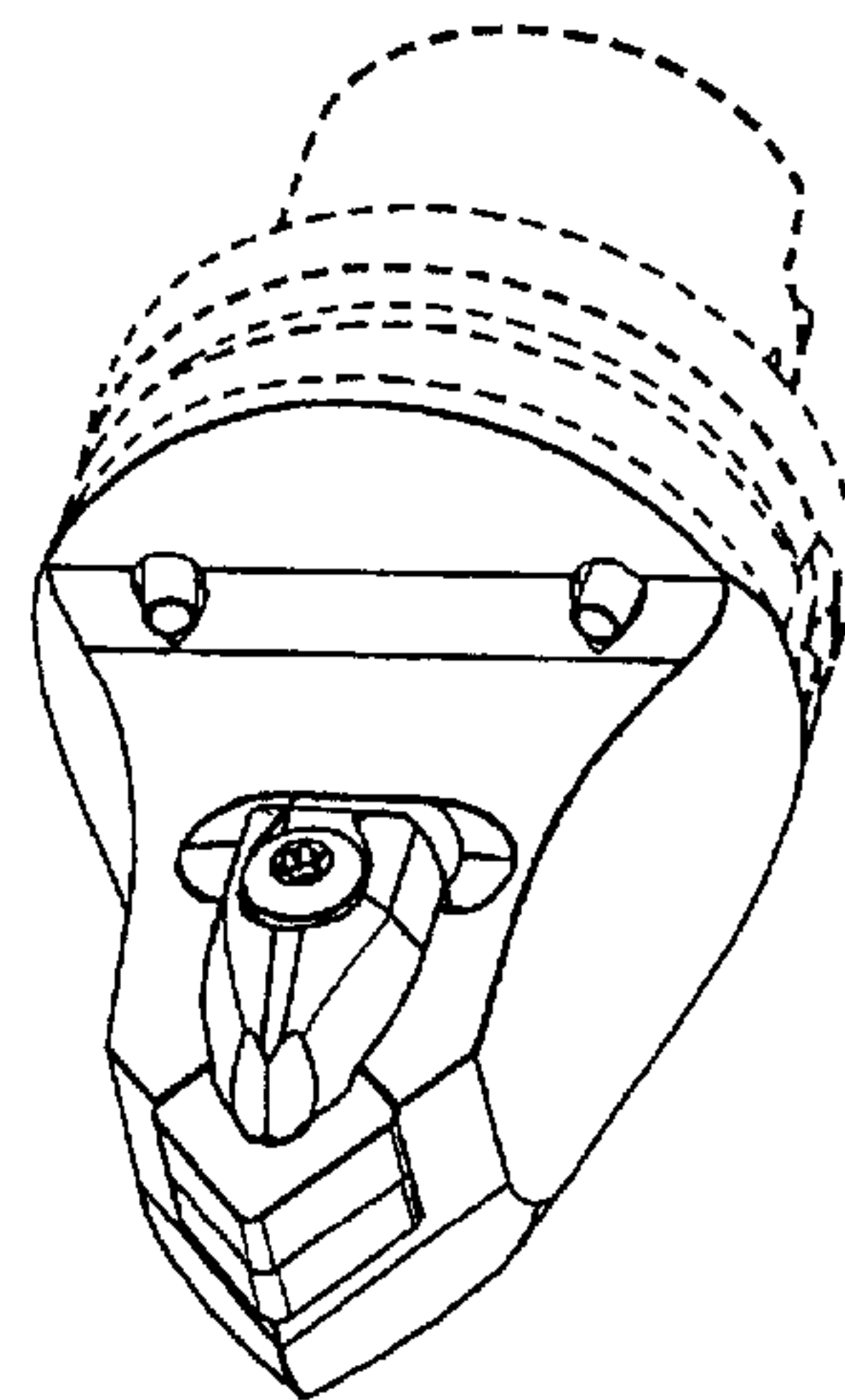


FIG. 7

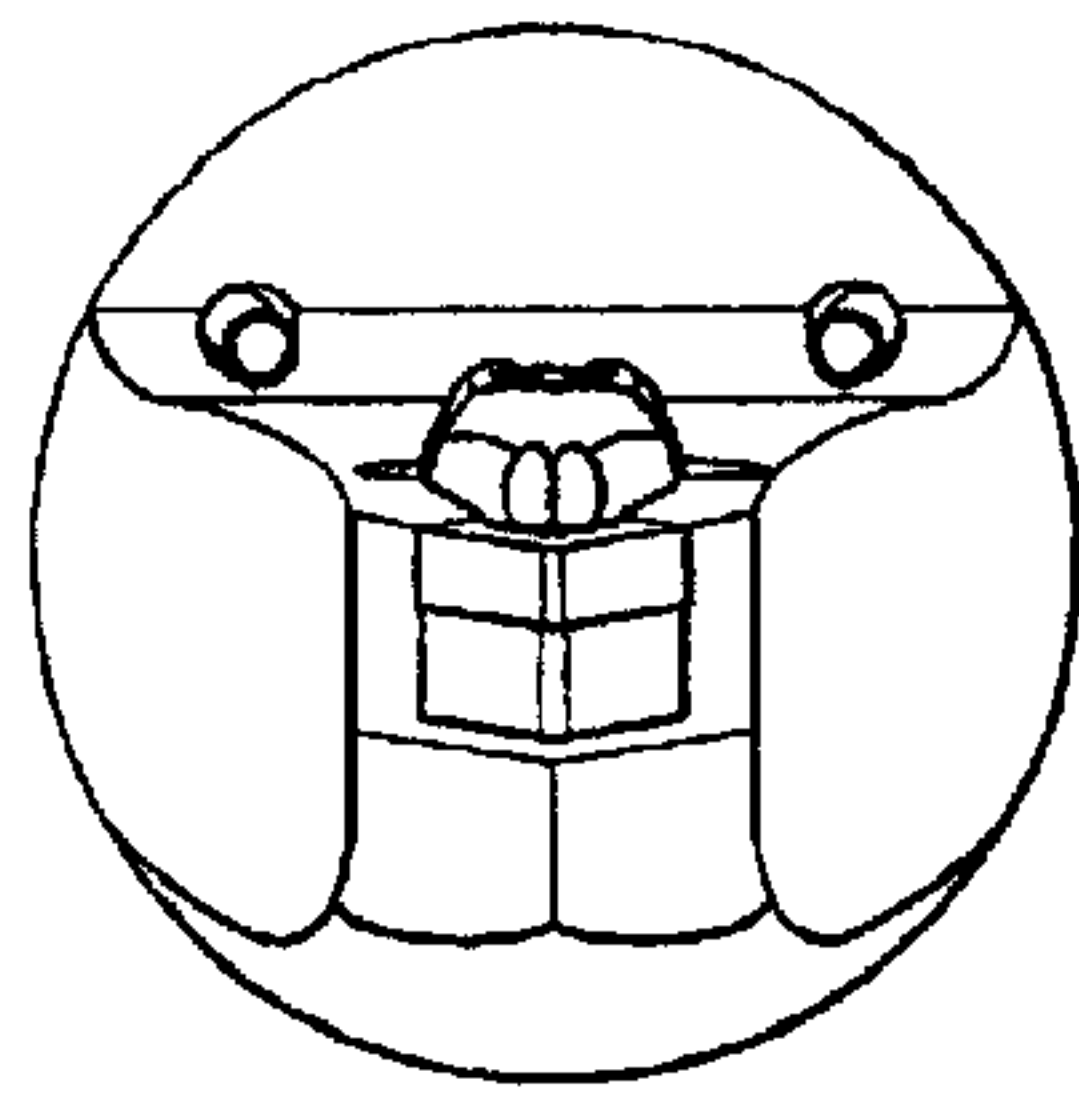


FIG. 18

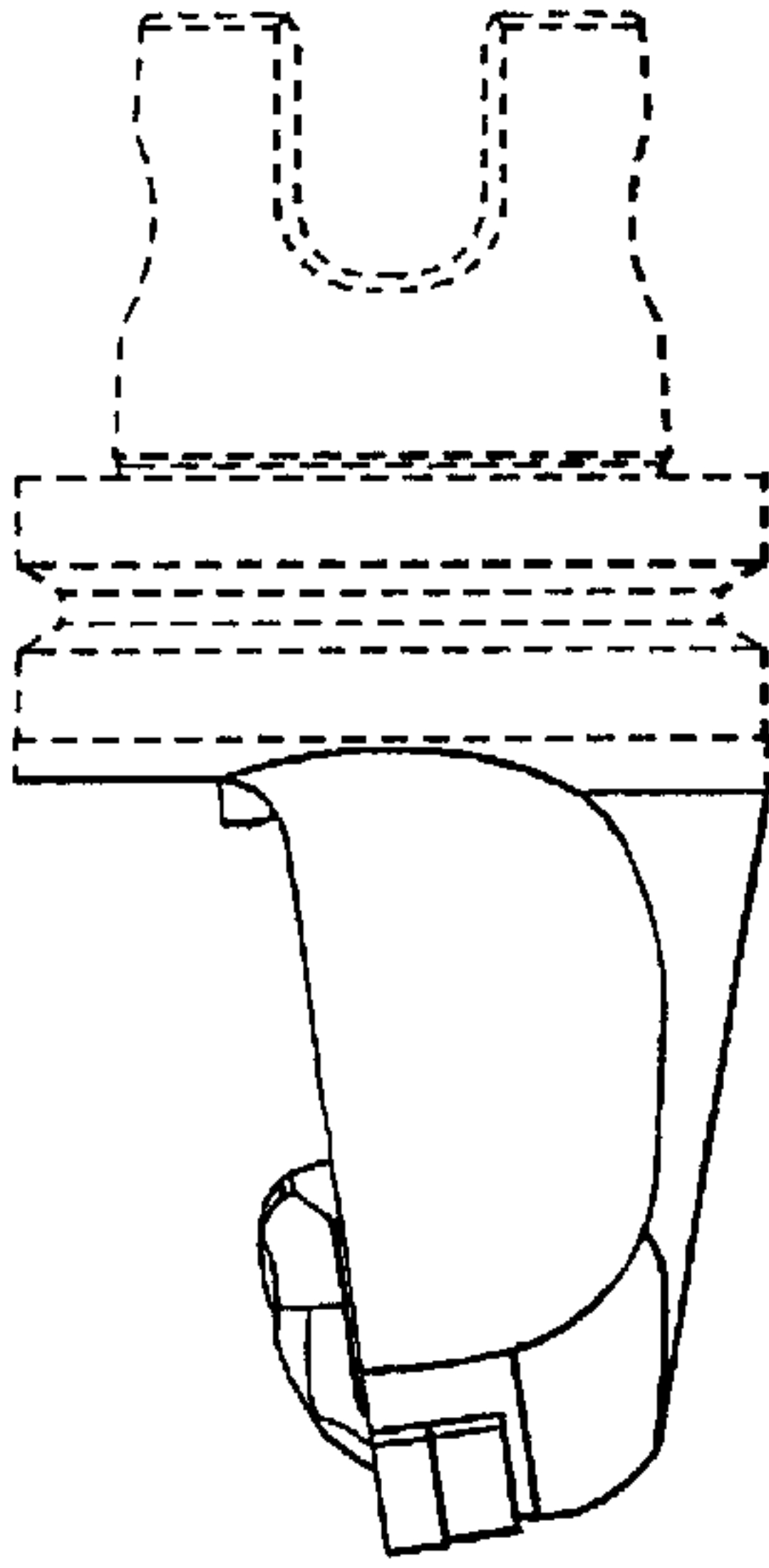


FIG. 16

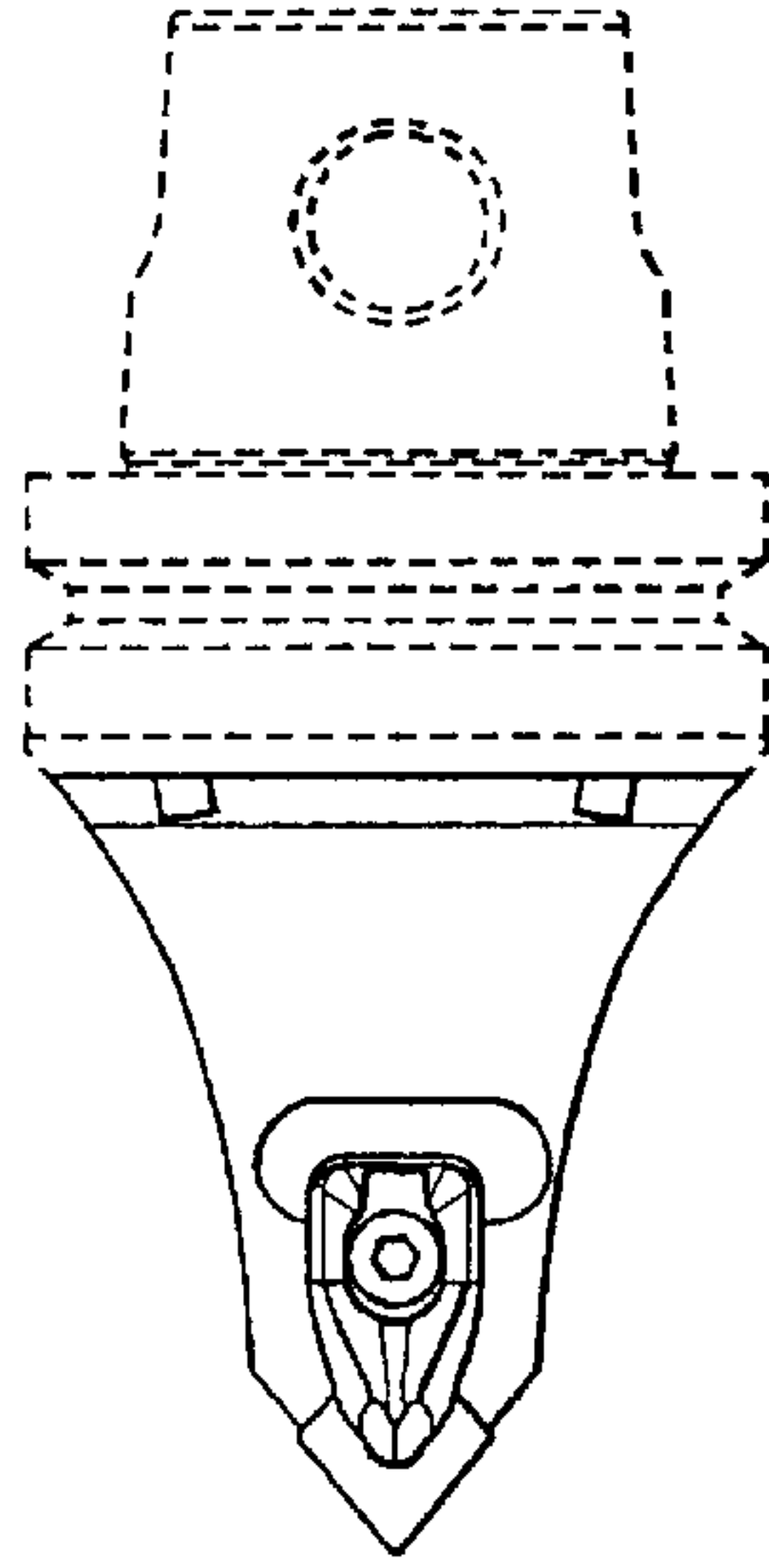


FIG. 14

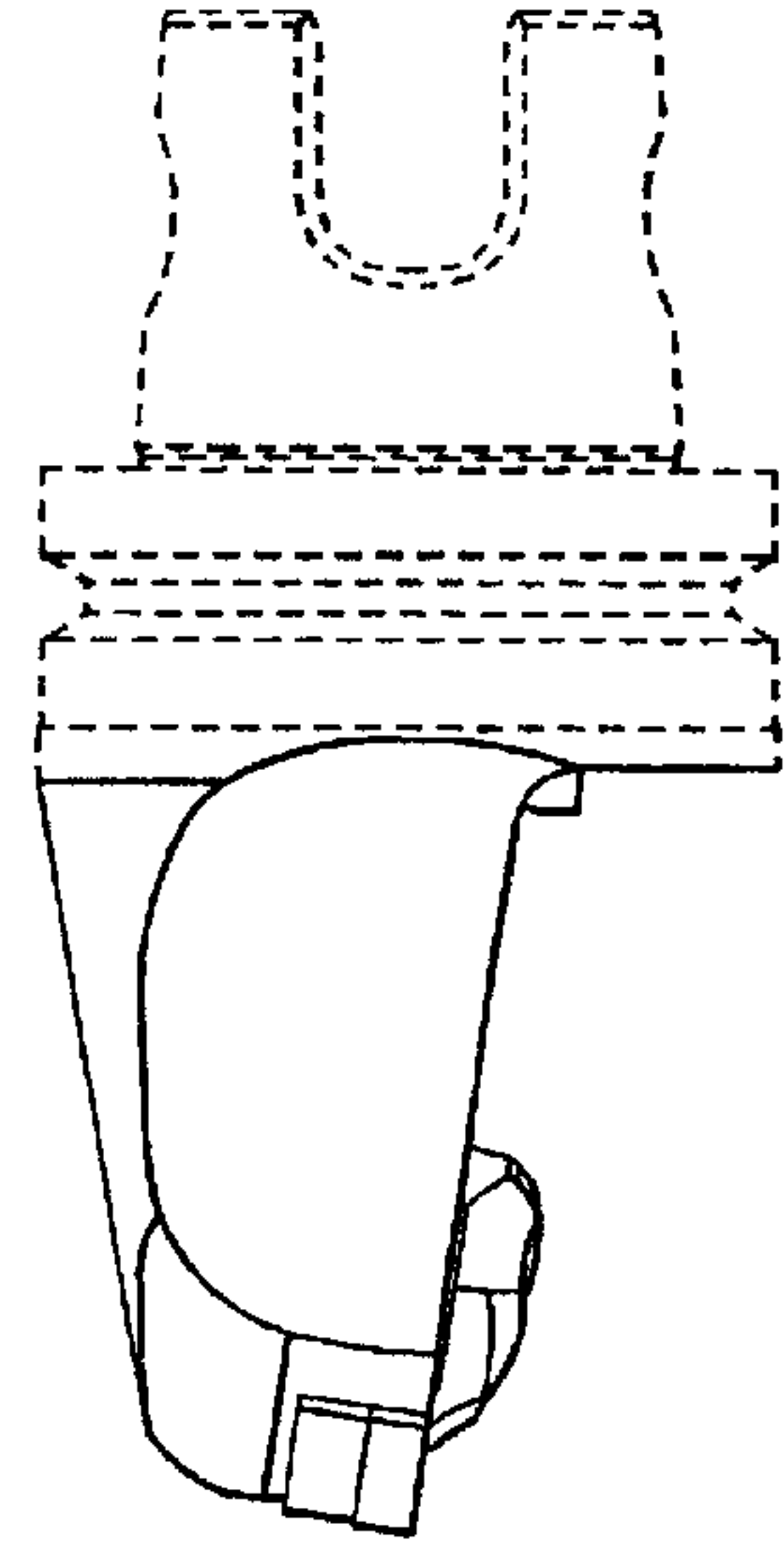


FIG. 17

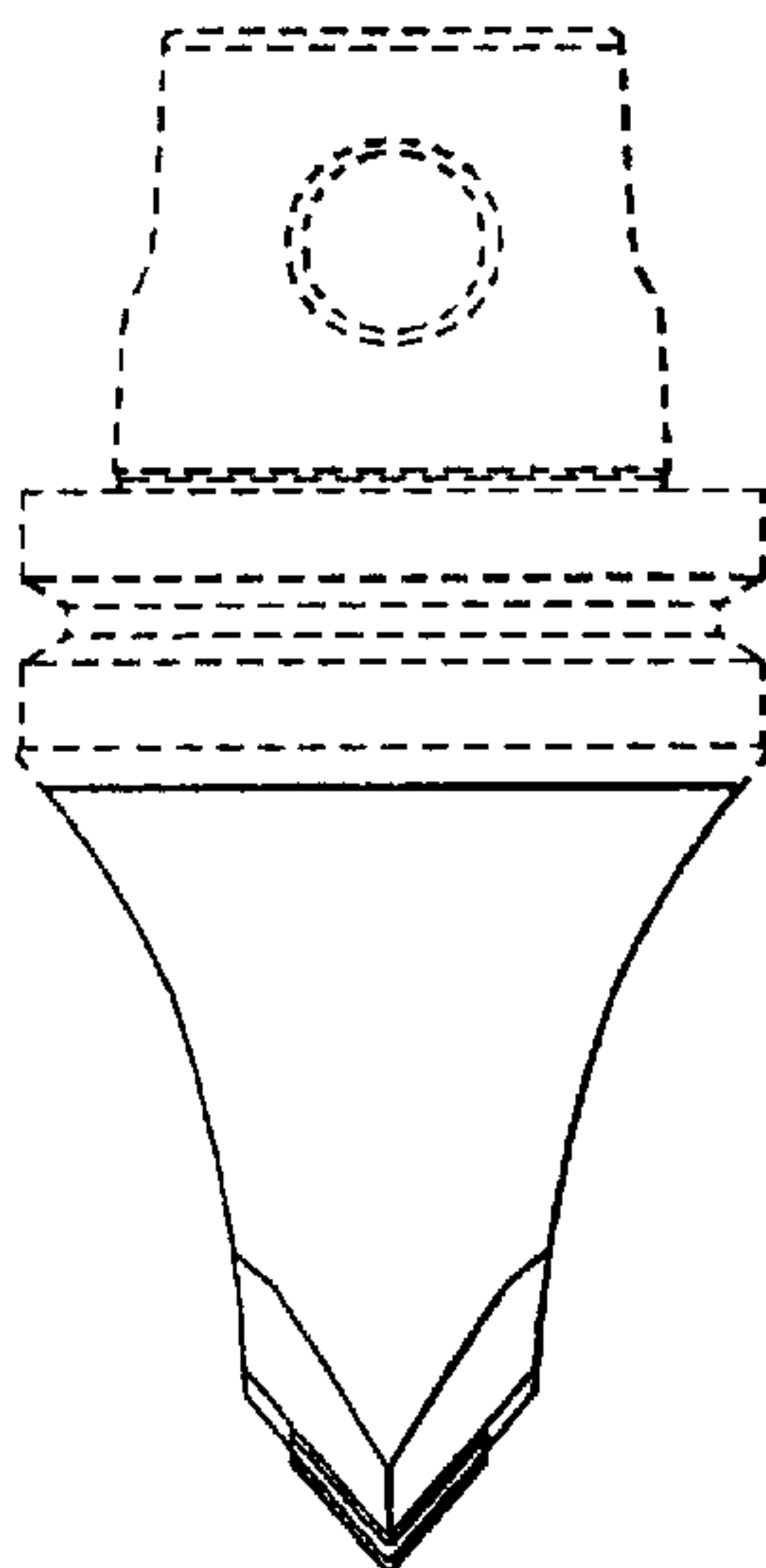


FIG. 15

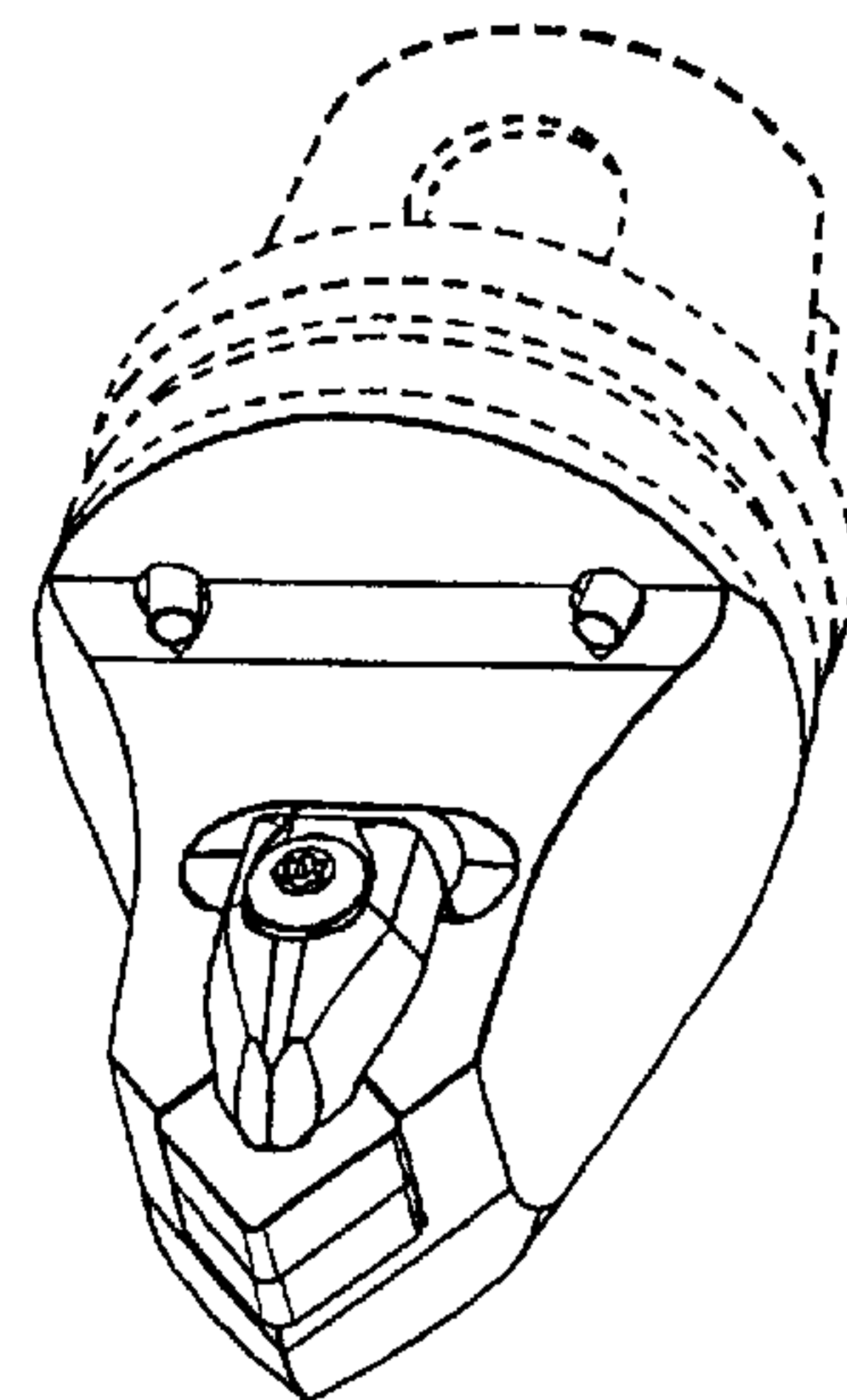


FIG. 13