



US00D475375S

(12) **United States Design Patent**
Curry et al.

(10) **Patent No.:** **US D475,375 S**

(45) **Date of Patent:** **** Jun. 3, 2003**

(54) **CONCRETE RECEPTACLE**

(74) *Attorney, Agent, or Firm*—Smith, Gambrell & Russell, LLP

(76) Inventors: **John E. Curry**, P.O. Box 2889, Auburn, AL (US) 36831-2889; **William L. Pinkston**, P.O. Box 2889, Auburn, AL (US) 36831-2889

(57) **CLAIM**

The ornamental design for a concrete receptacle, as shown and described.

(**) Term: **14 Years**

DESCRIPTION

(21) Appl. No.: **29/164,220**

FIG. 1 is a perspective view of the concrete receptacle of the present invention;

(22) Filed: **Jul. 18, 2002**

FIG. 2 is a top plan view of the concrete receptacle of the present invention;

(51) **LOC (7) Cl.** **15-09**

FIG. 3 is a bottom view of the concrete receptacle of the present invention;

(52) **U.S. Cl.** **D15/136**

FIG. 4 is a front elevational view of the concrete receptacle of the present invention taken along lines 4—4 of FIG. 1;

(58) **Field of Search** D15/136; 52/79.2, 52/79.11–79.14, 185; 241/82, 15, 16, 145; 249/15, 16, 91

FIG. 5 is a rear elevational view of the concrete receptacle of the present invention taken along lines 5—5 of FIG. 1;

(56) **References Cited**

U.S. PATENT DOCUMENTS

- 3,805,461 A * 4/1974 Jagoda 52/79.11
- D356,803 S * 3/1995 Hupp D15/136
- 6,257,545 B1 * 7/2001 Tokita et al. 249/15

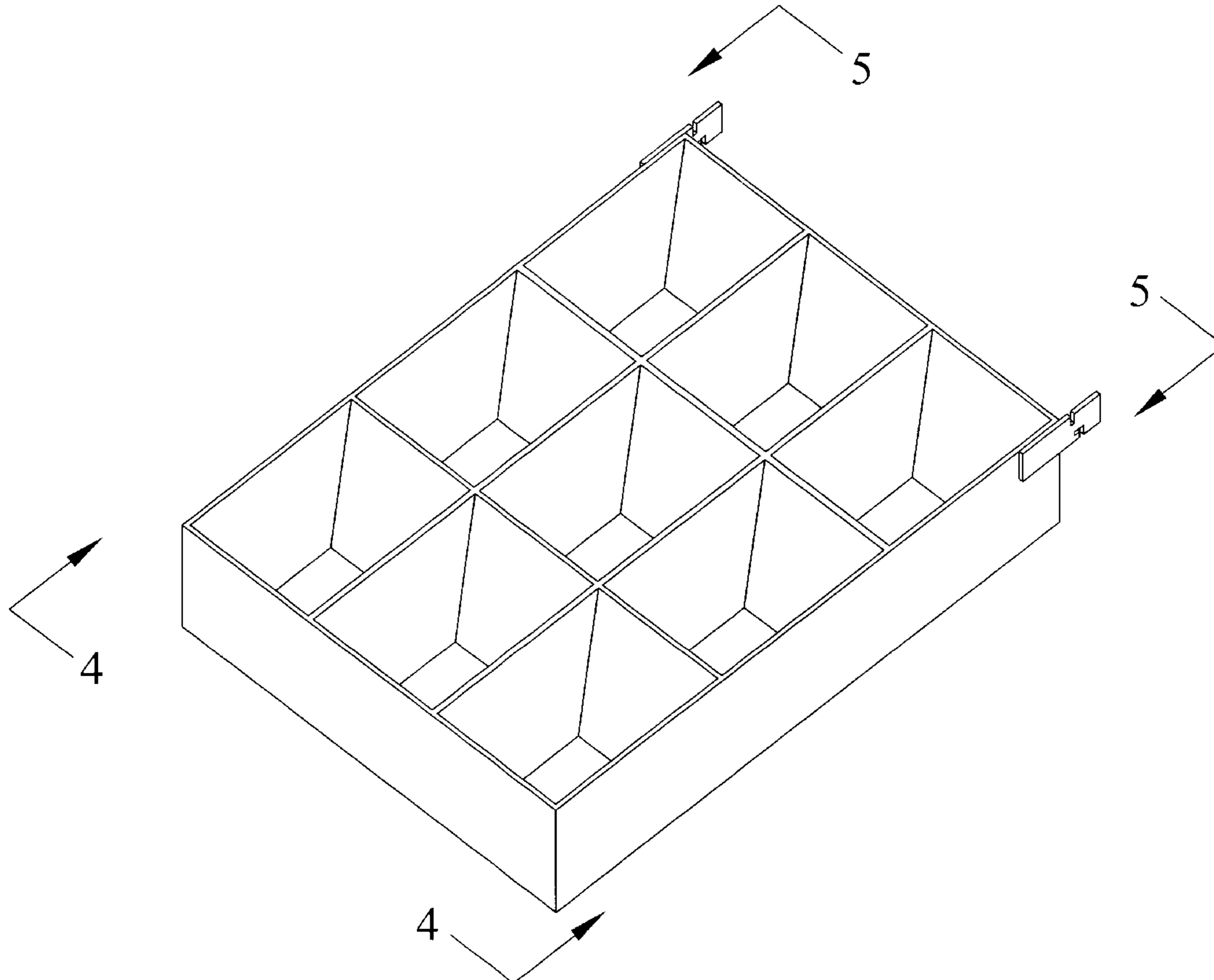
FIG. 6 is a first side elevational view of the concrete receptacle of the present invention taken along lines 6—6 of FIG. 2; and,

FIG. 7 is a second side elevational view of the concrete receptacle of the present invention taken along lines 7—7 of FIG. 2.

* cited by examiner

Primary Examiner—Antoine Duval Davis

1 Claim, 7 Drawing Sheets



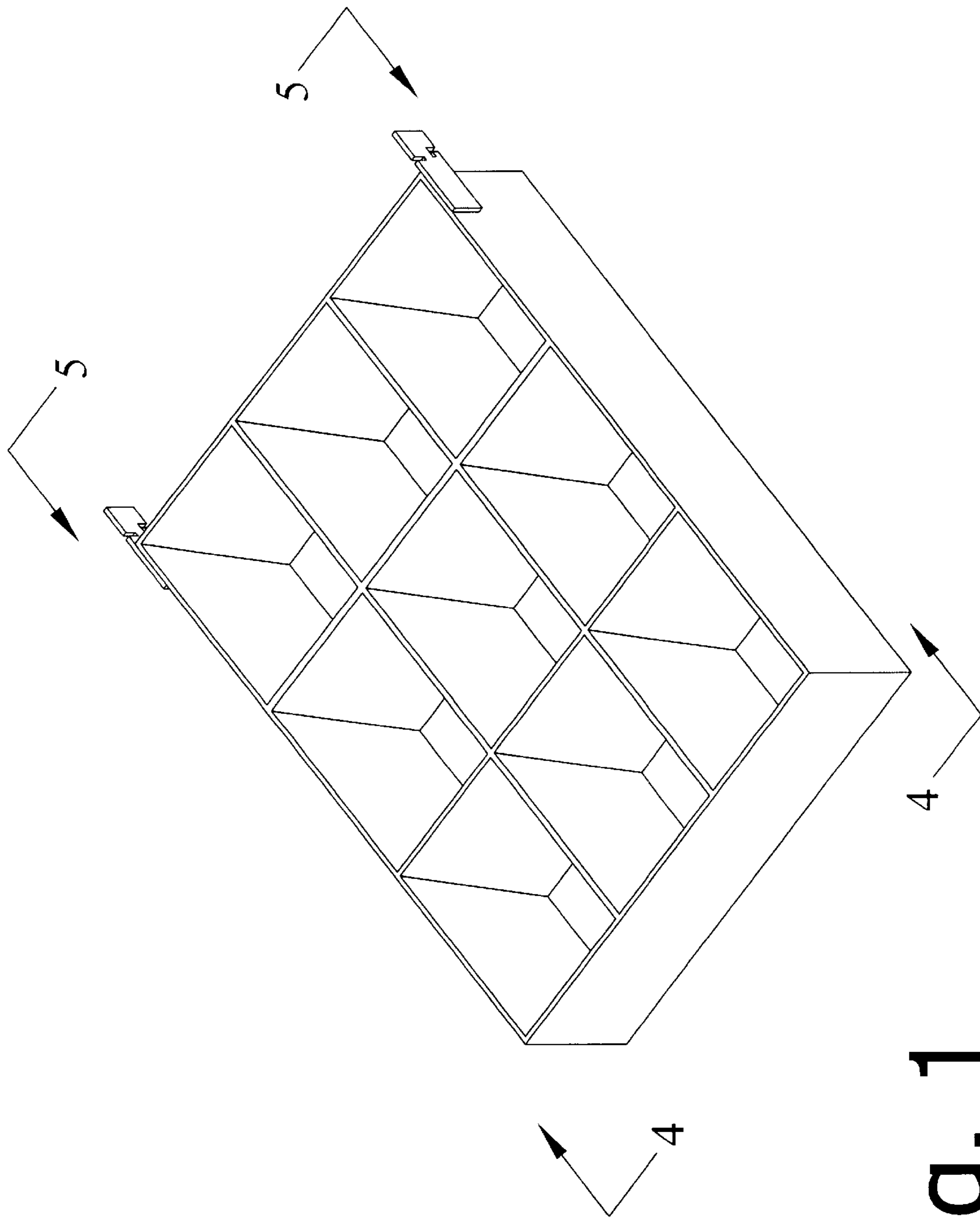


Fig. 1

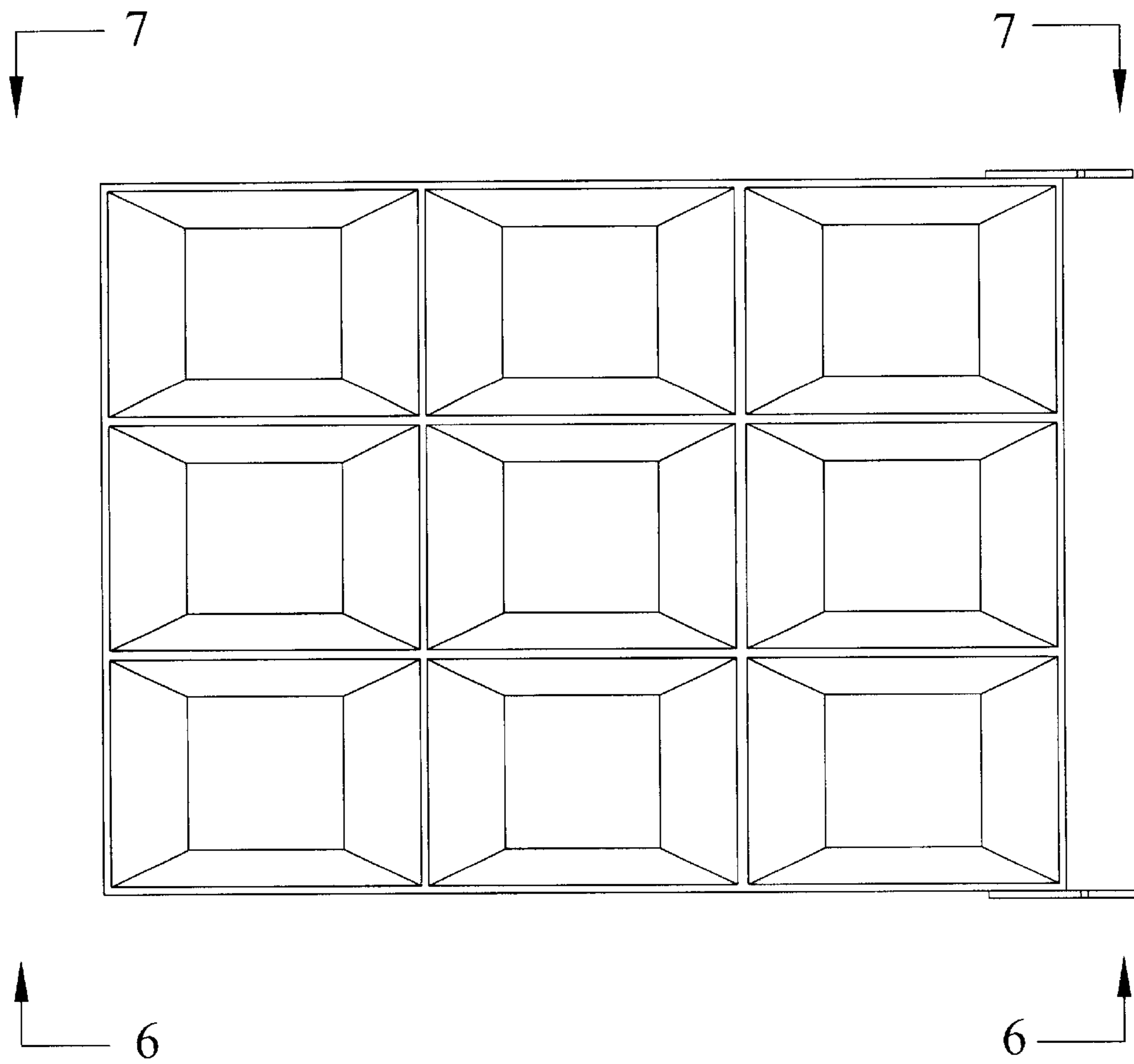


Fig. 2

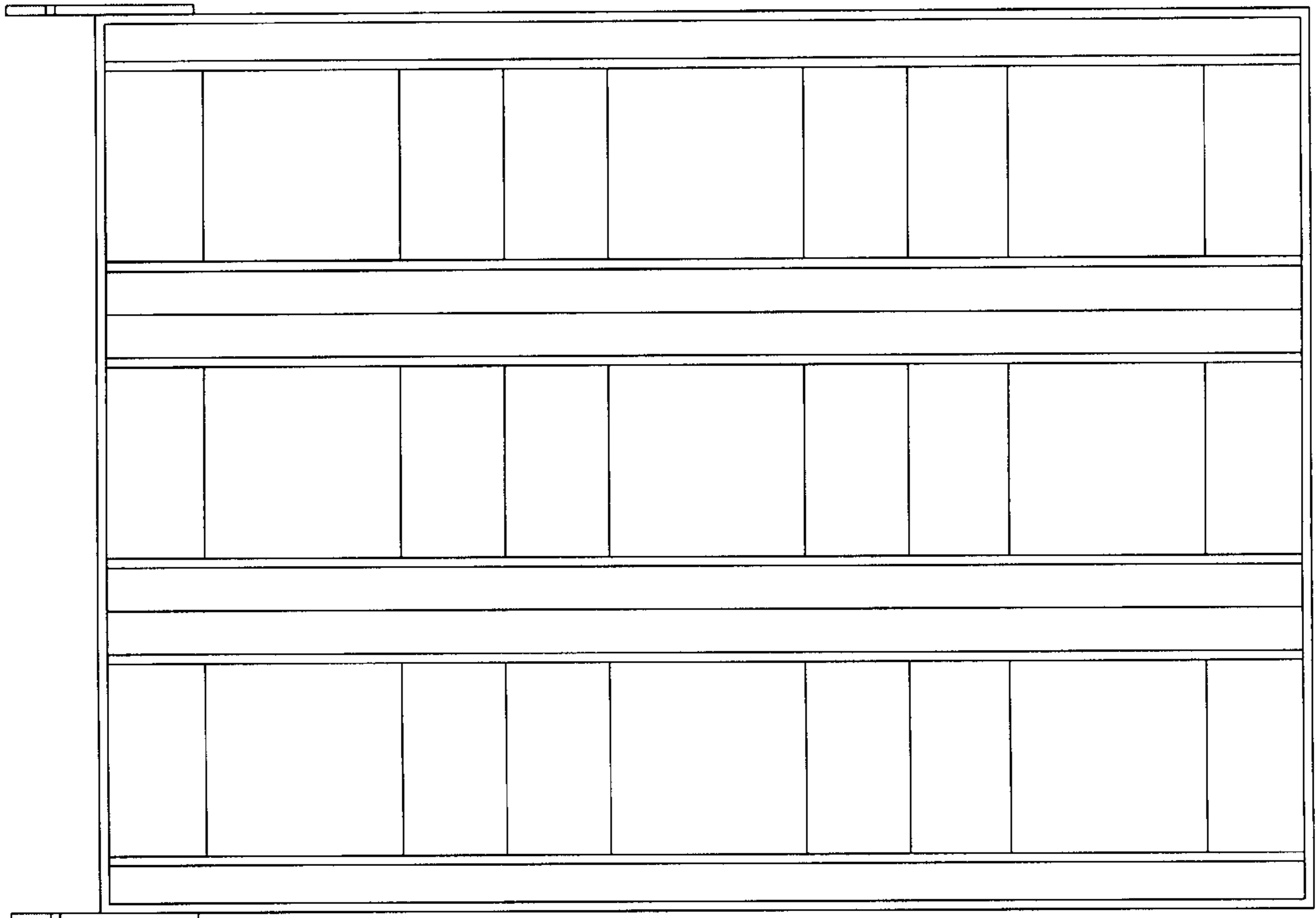


Fig. 3

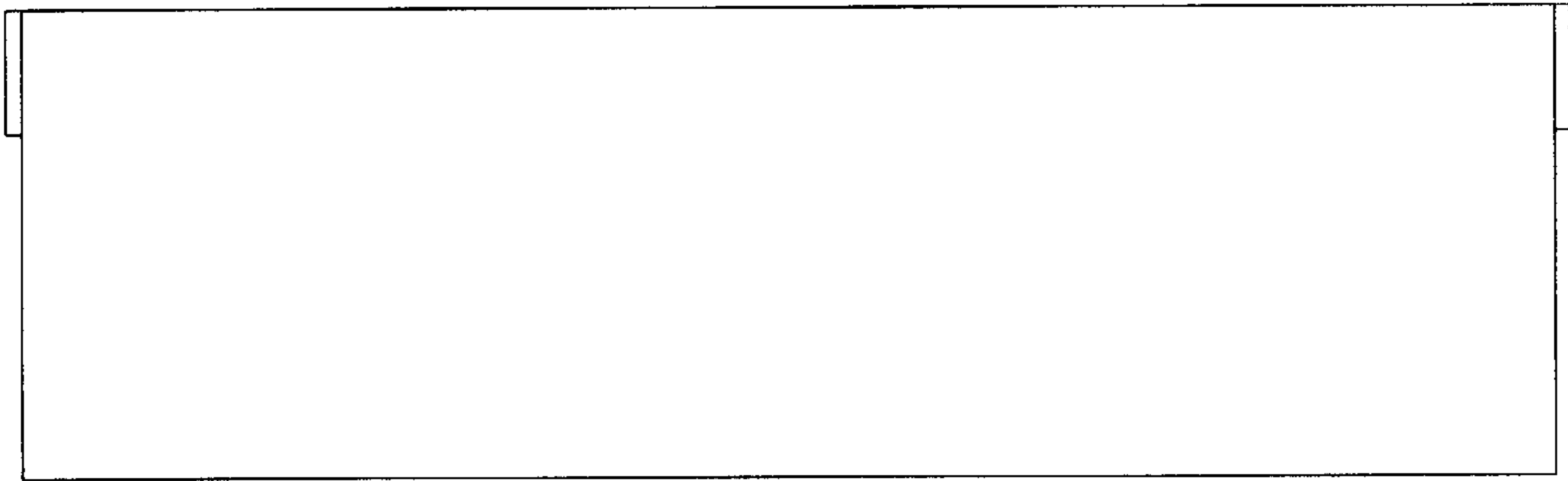


Fig. 4

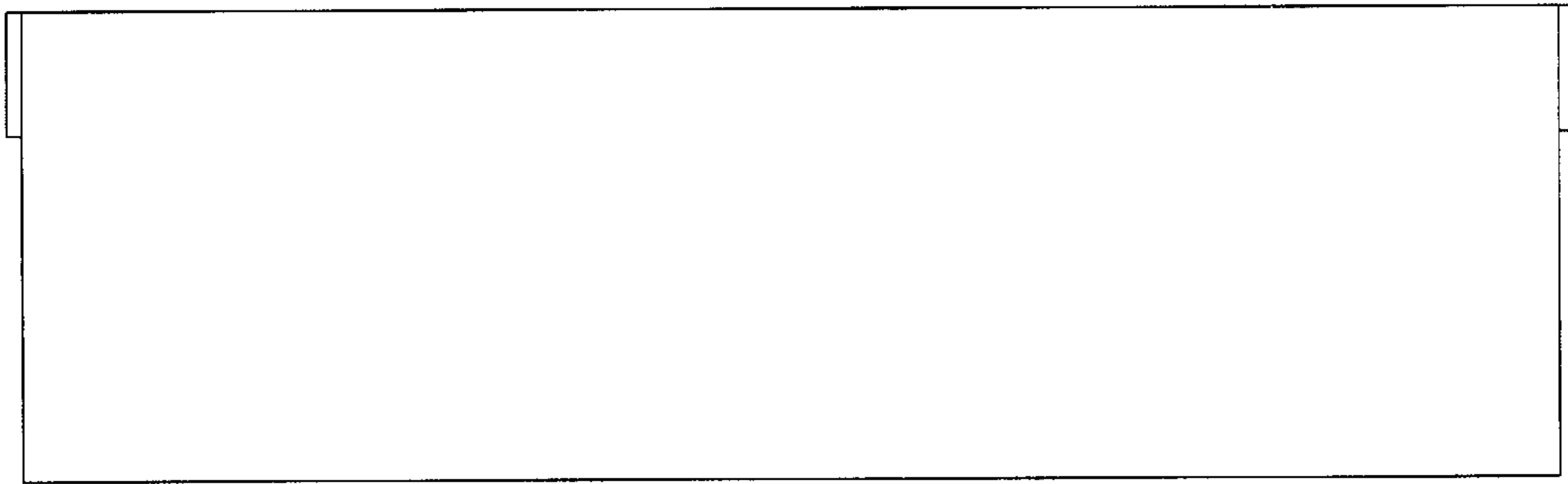


Fig. 5

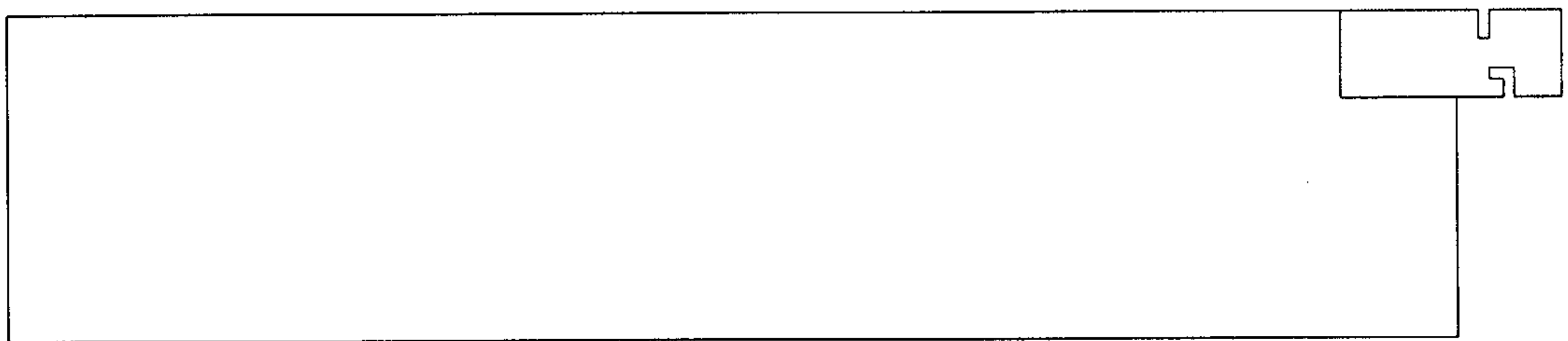


Fig. 6

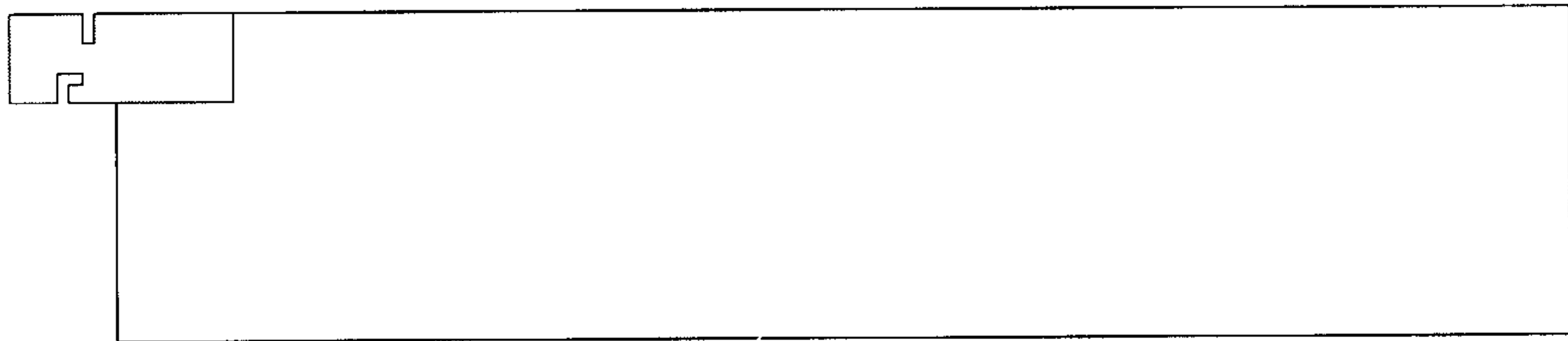


Fig. 7