



US00D475372S

(12) **United States Design Patent**
Dulkoski

(10) **Patent No.:** **US D475,372 S**

(45) **Date of Patent:** **** Jun. 3, 2003**

(54) **AUGER ASSEMBLY**

Primary Examiner—Mitchell Siegel

(76) **Inventor:** **Derron D. Dulkoski**, 120 Jerdalo Dr.,
China Grove, NC (US) 28023

(57) **CLAIM**

(**) **Term:** **14 Years**

The ornamental design for an auger assembly, as shown and described.

(21) **Appl. No.:** **29/159,989**

DESCRIPTION

(22) **Filed:** **May 2, 2002**

FIG. 1 is a top plan view of the first embodiment of an auger assembly embodying my design;

(51) **LOC (7) Cl.** **15-03**

FIG. 2 is a bottom plan view thereof;

(52) **U.S. Cl.** **D15/21**

FIG. 3 is a rear elevational view thereof;

(58) **Field of Search** D15/21, 28; 198/666,
198/677; 403/292, 296; 474/1; 156/82,
244.22, 304.3, 304.6; 175/162; 182/2.7

FIG. 4 is a front plan view thereof;

FIG. 5 is a left end view thereof as seen along lines 5—5 of FIG. 1;

(56) **References Cited**

FIG. 6 is a right end view thereof as seen along lines 6—6 of FIG. 1;

U.S. PATENT DOCUMENTS

FIG. 7 is a top plan view of a second embodiment of my auger assembly design;

2,815,852 A * 12/1957 Harrer 198/666

FIG. 8 is a bottom elevational view thereof;

3,071,199 A * 1/1963 Richmond 474/1

FIG. 9 is a rear elevational view thereof;

4,454,922 A 6/1984 Jamison et al.

FIG. 10 is a front plan view thereof;

4,746,384 A * 5/1988 Tan 156/82

FIG. 11 is a left end view thereof as seen along lines 11—11 of FIG. 7; and,

4,852,719 A * 8/1989 Lapeyre 198/666

FIG. 12 is a right end view thereof as seen along lines 12—12 of FIG. 7.

4,976,341 A * 12/1990 Lundell 198/666

D325,033 S * 3/1992 Witherspoon D15/21

5,507,354 A * 4/1996 Harleman 175/162

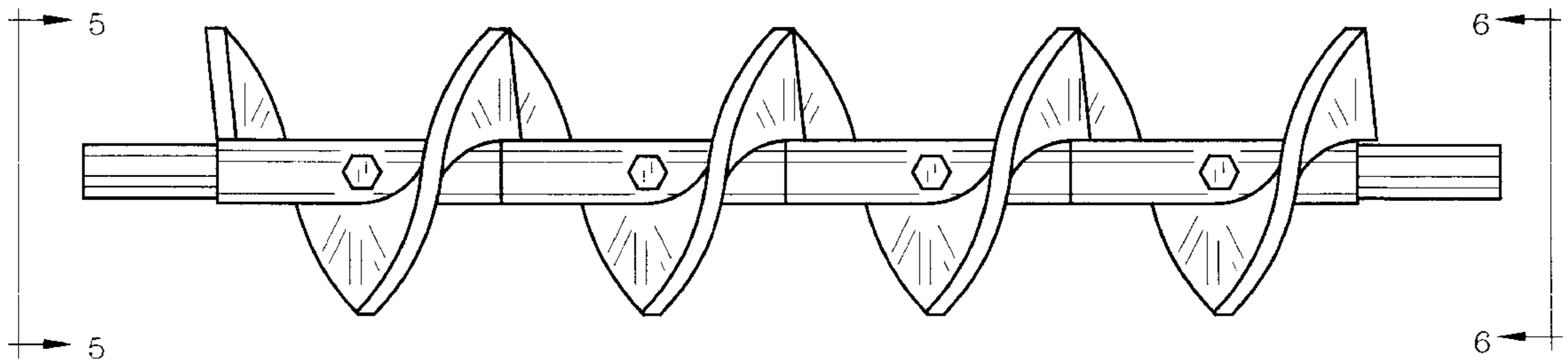
5,564,522 A * 10/1996 Markin et al. 182/2.7

5,782,310 A 7/1998 Lange

5,899,319 A 5/1999 Jarnagin

* cited by examiner

1 Claim, 6 Drawing Sheets



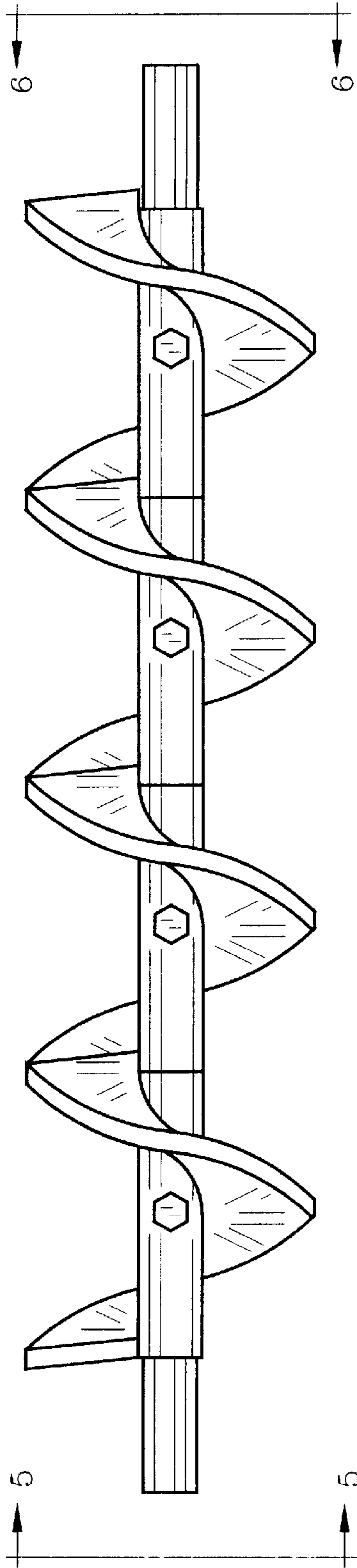


FIG. 1

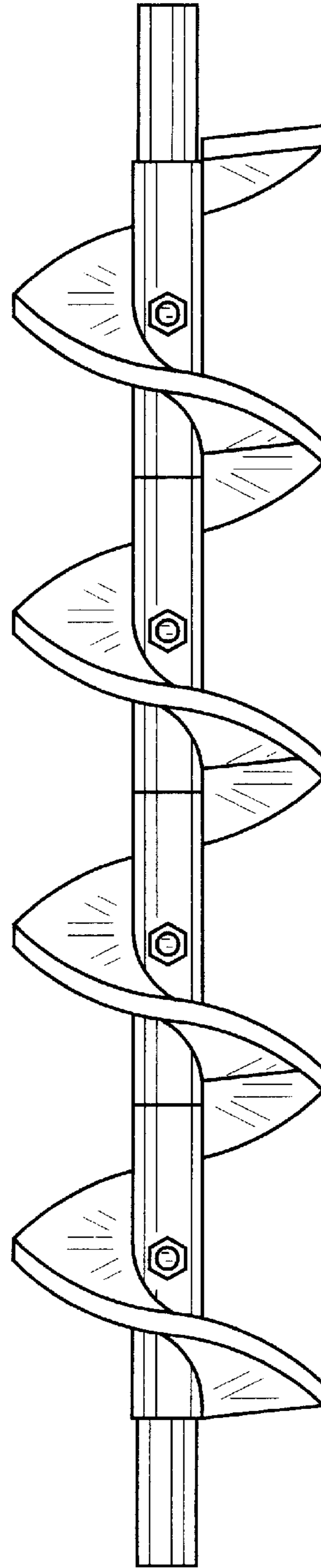


FIG. 2

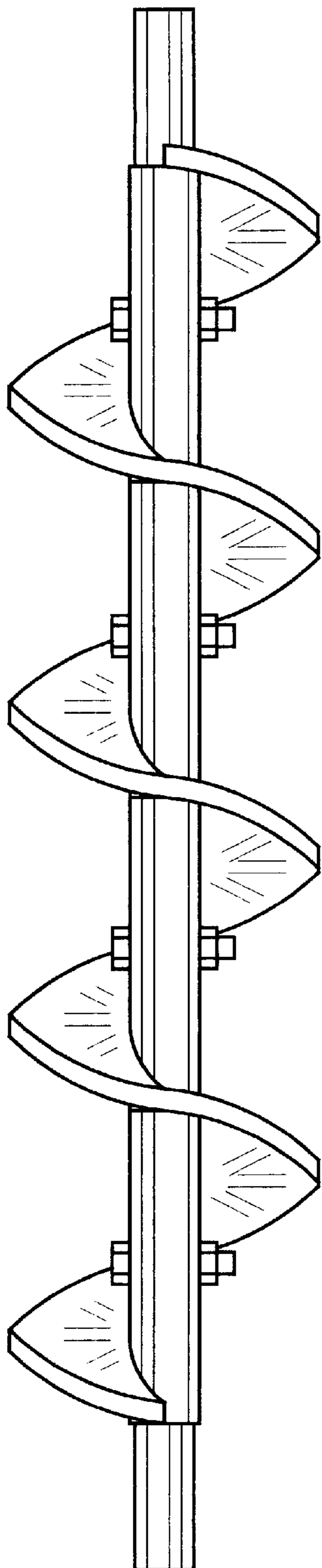


FIG. 3

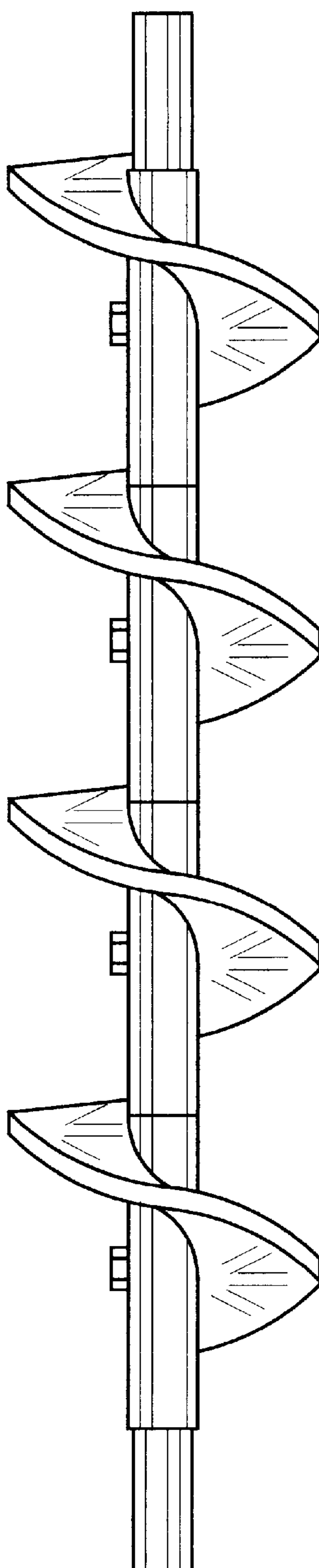


FIG. 4

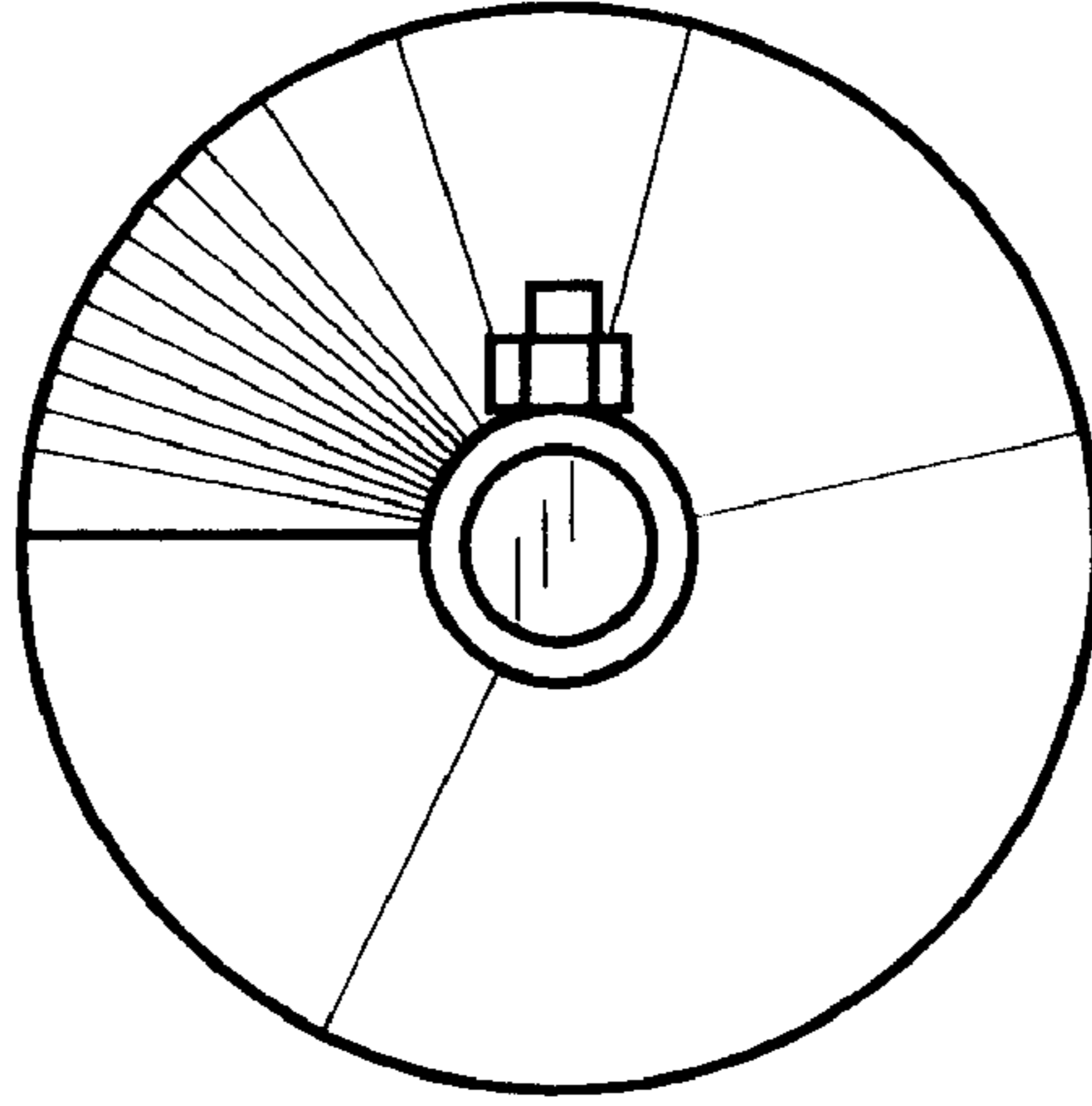


FIG. 5

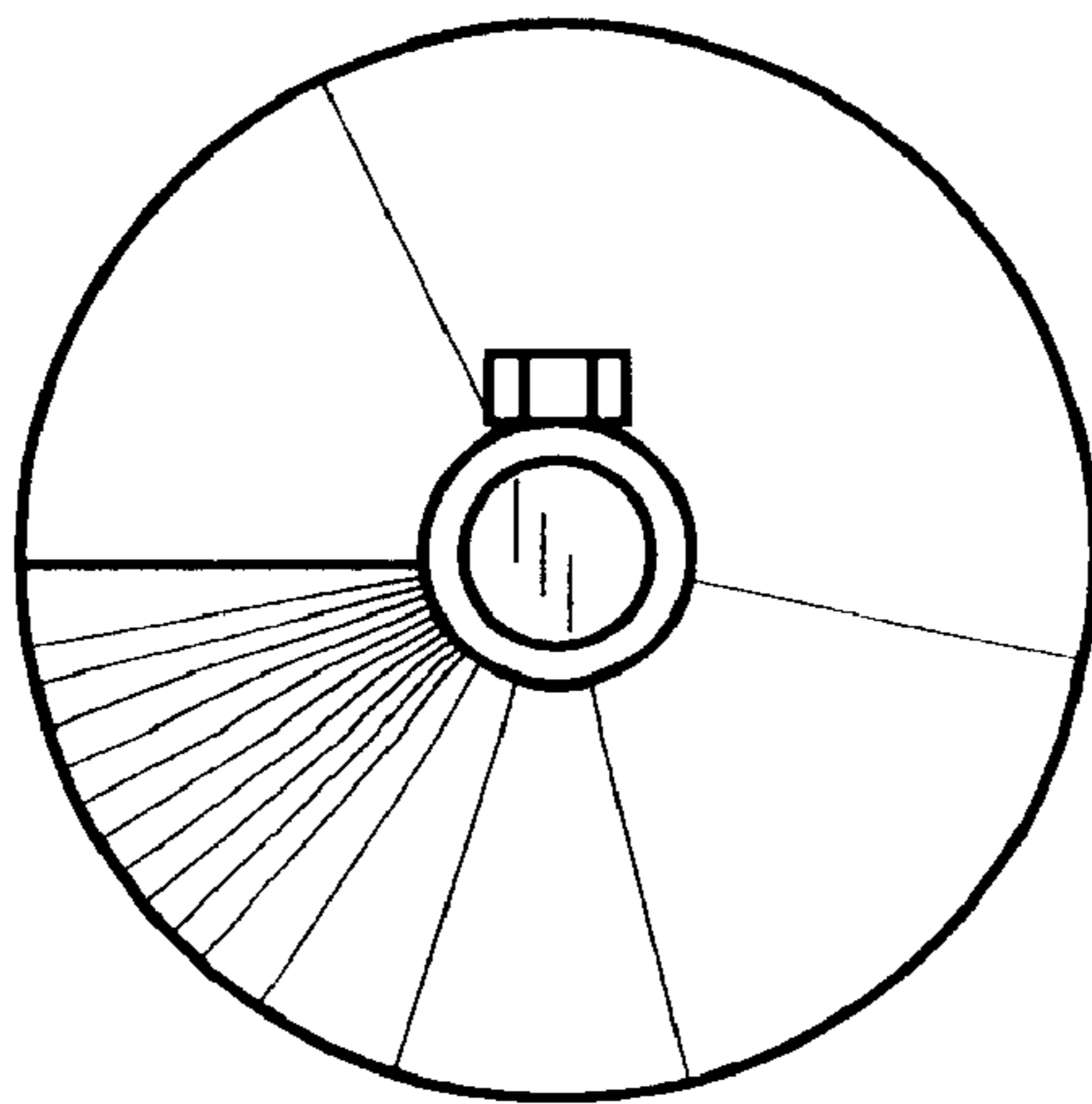


FIG. 6

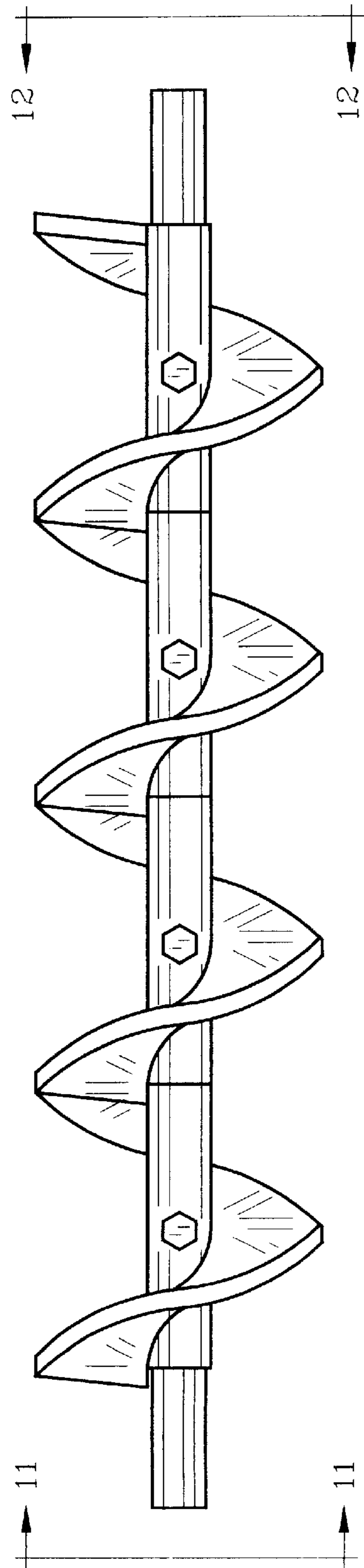


FIG. 7

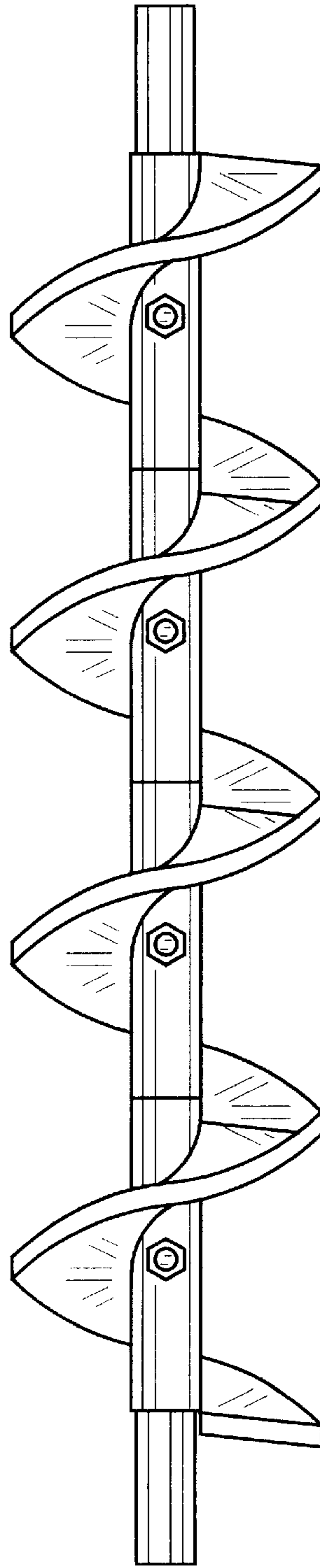


FIG. 8

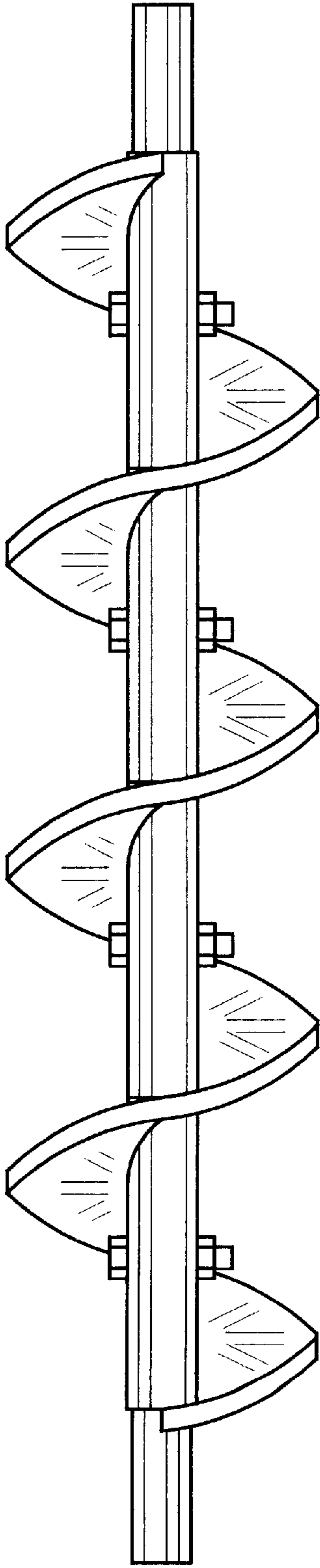


FIG. 9

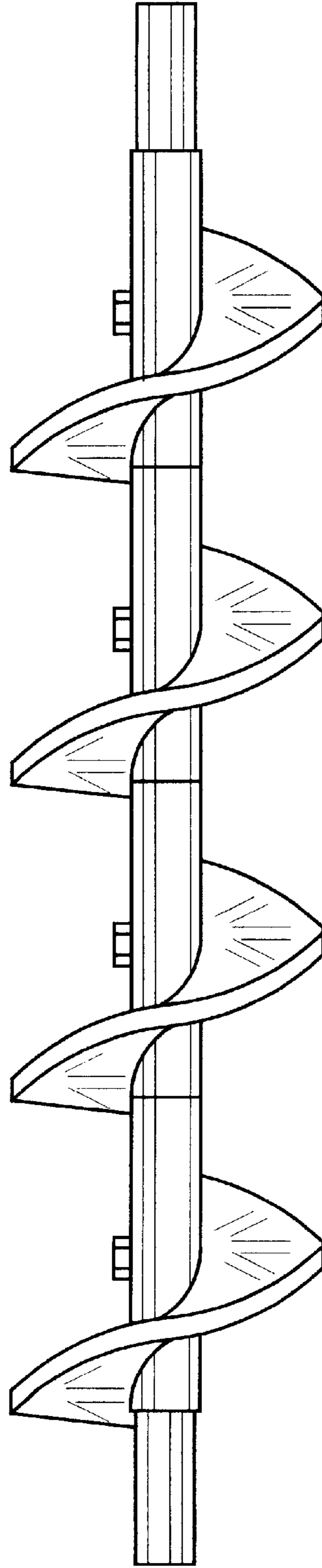


FIG. 10

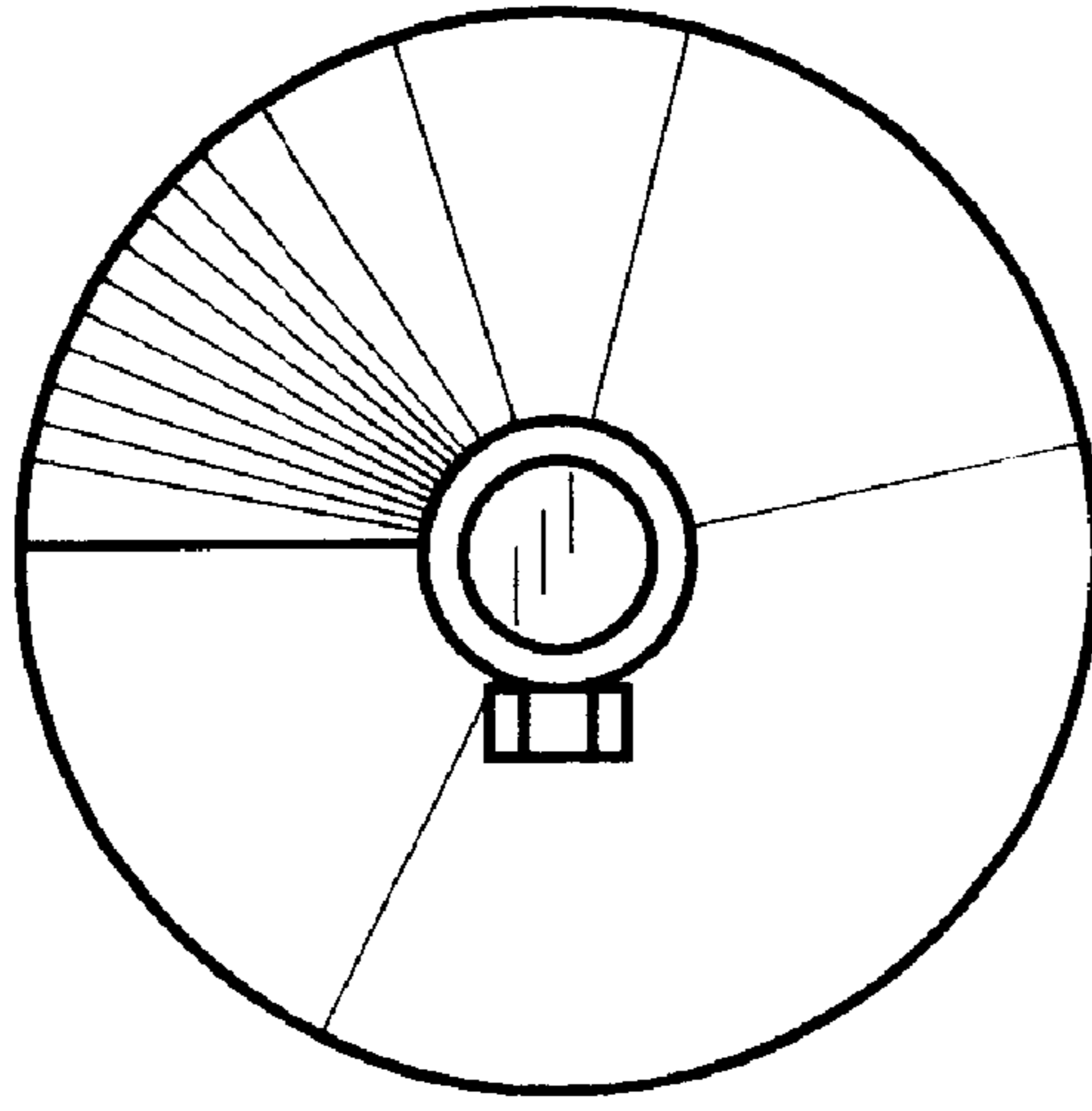


FIG. 12

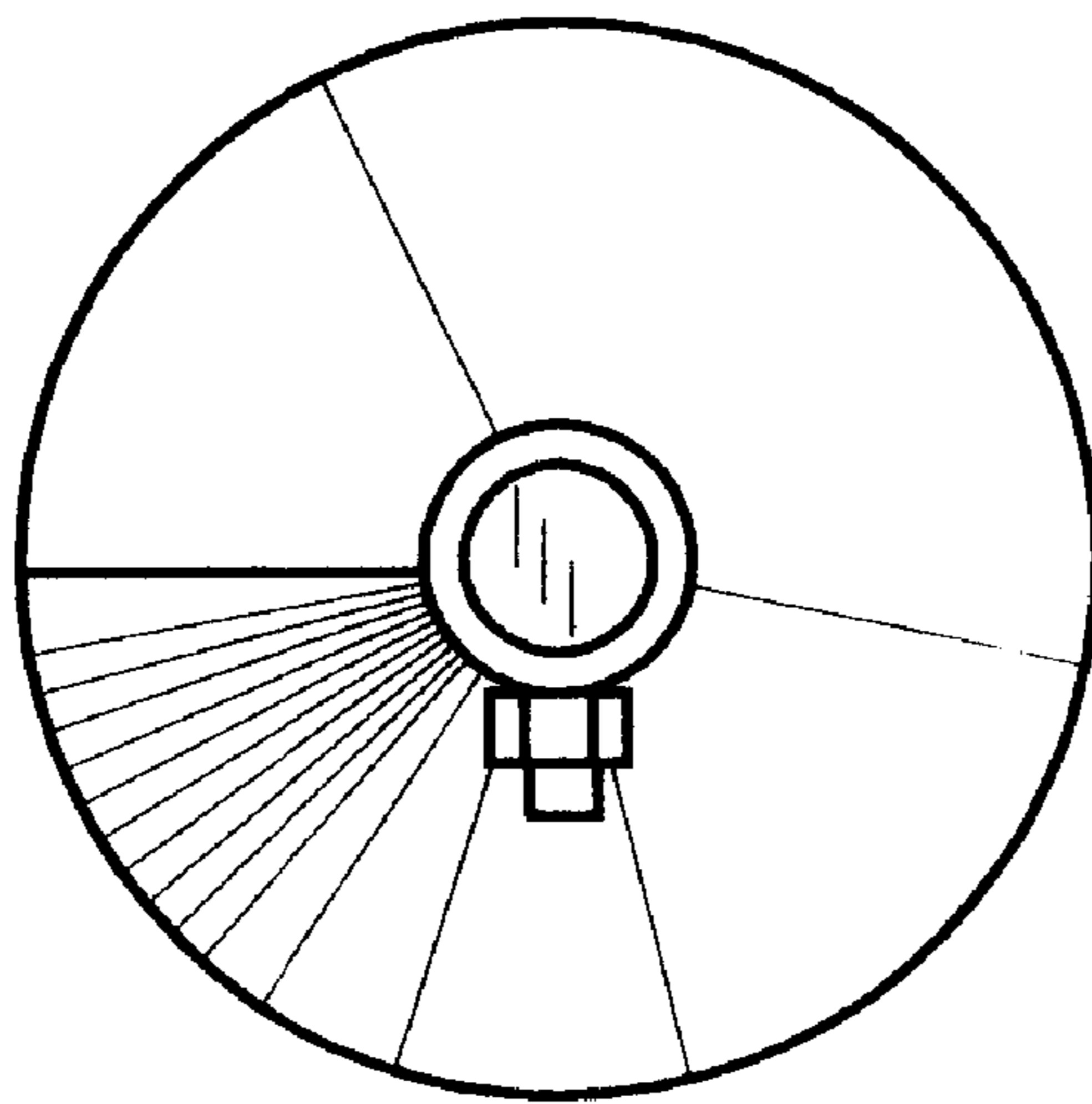


FIG. 11