



US00D475371S

(12) **United States Design Patent**
Bone et al.

(10) **Patent No.:** **US D475,371 S**

(45) **Date of Patent:** **** Jun. 3, 2003**

(54) **DATA PROCESSING DEVICE**

(75) Inventors: **Martin Bone**, San Francisco, CA (US);
Thomas O Rogers, San Francisco, CA (US)

(73) Assignee: **Snap-On Technologies, Inc.**,
Lincolnshire, IL (US)

(**) Term: **14 Years**

(21) Appl. No.: **29/164,119**

(22) Filed: **Jul. 19, 2002**

(51) **LOC (7) Cl.** **14-02**

(52) **U.S. Cl.** **D14/301; D14/356**

(58) **Field of Search** D14/337, 341,
D14/314, 331-336; D18/1, 2, 7; 235/145 A,
145 R; 341/22, 23; 345/156, 168, 169,
172, 173; 361/280-686

(56) **References Cited**

U.S. PATENT DOCUMENTS

D315,549 S * 3/1991 Clough et al. D14/341

D363,271 S * 10/1995 Peterson D14/341
D377,929 S * 2/1997 Sekino et al. D14/336
D432,124 S * 10/2000 Pardikes et al. D14/336

* cited by examiner

Primary Examiner—Freda Nunn

(74) *Attorney, Agent, or Firm*—McDermott, Will & Emery

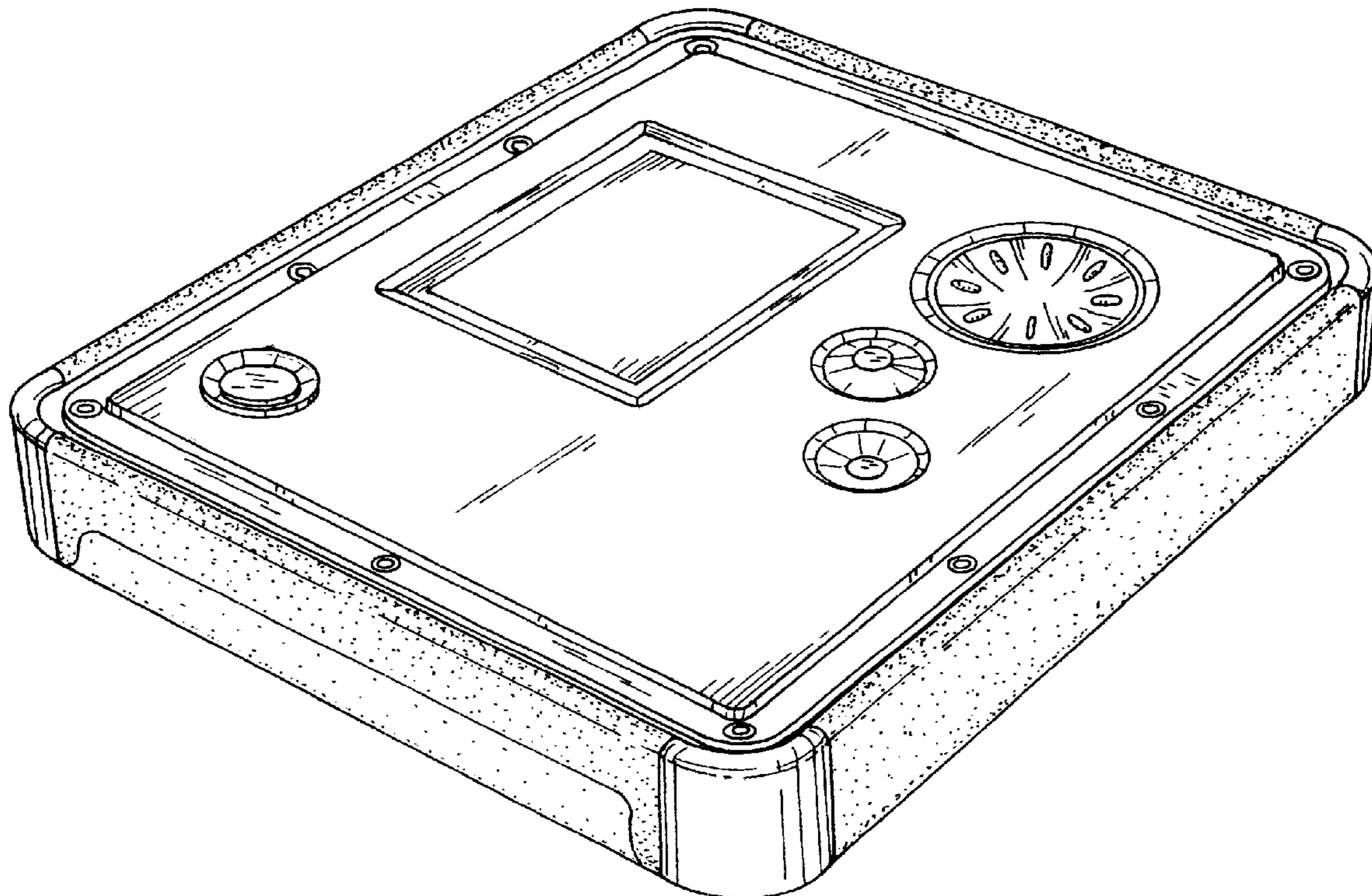
(57) **CLAIM**

The ornamental design for the data processing device, as shown and described.

DESCRIPTION

FIG. 1 is a perspective view of a data processing device showing our new design;
FIG. 2 is a top plan view thereof;
FIG. 3 is a left side view thereof, the opposite side view being identical;
FIG. 4 is a front view thereof;
FIG. 5 is a back view thereof; and,
FIG. 6 is a bottom view thereof.

1 Claim, 2 Drawing Sheets



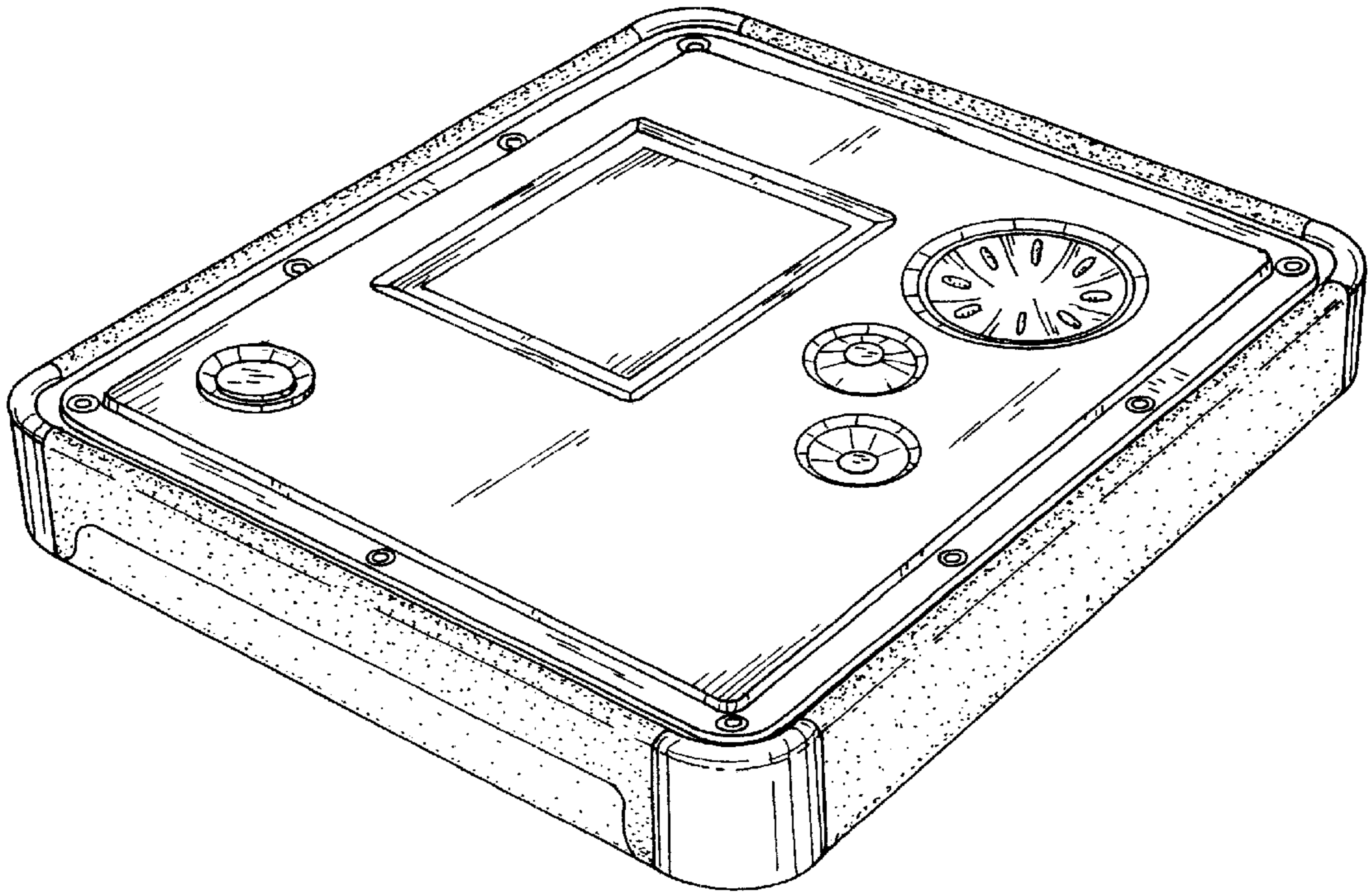


FIG. 1

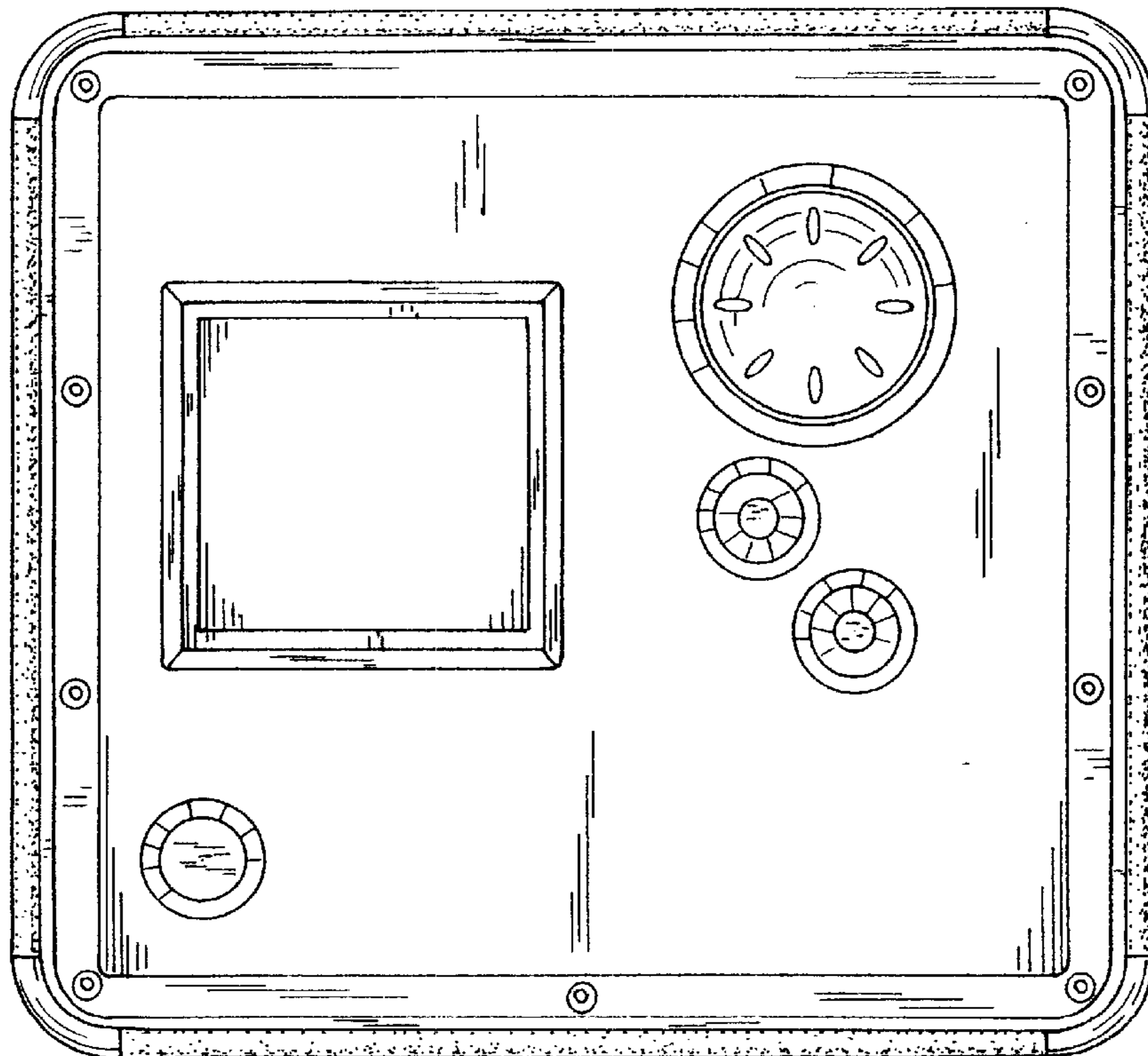


FIG. 2



FIG. 3

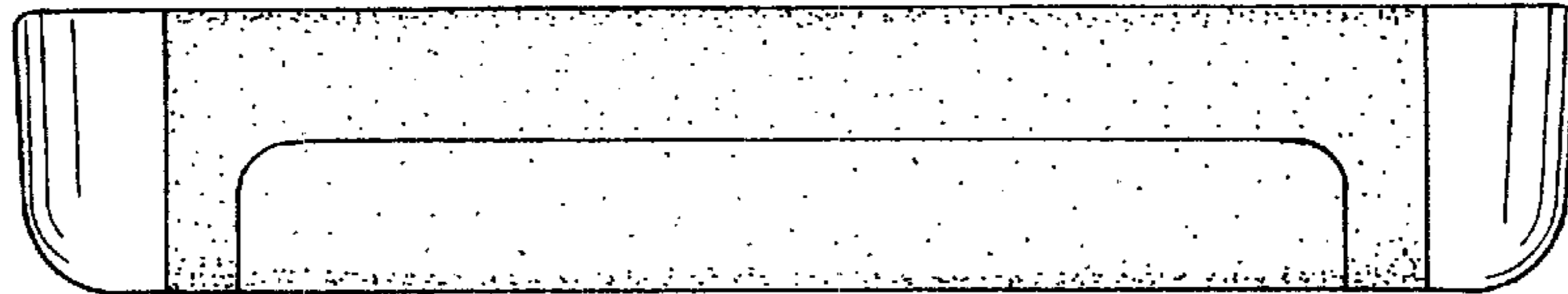


FIG. 4

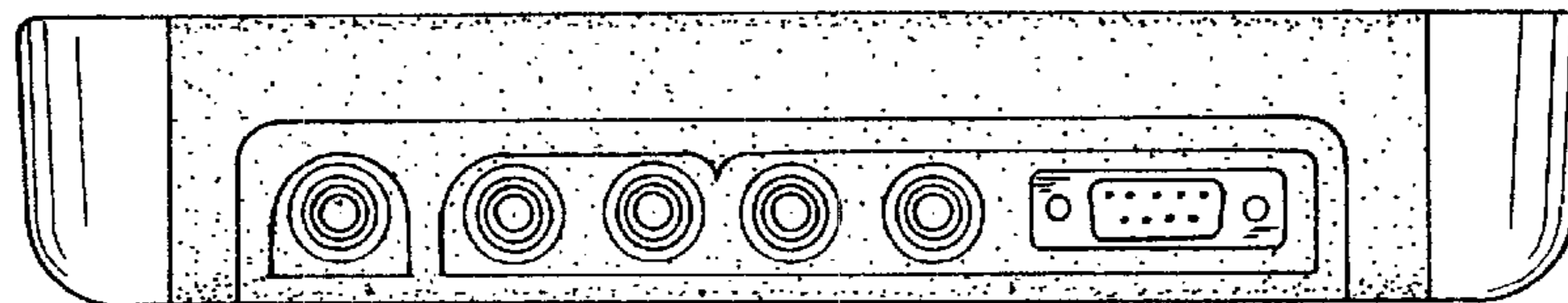


FIG. 5

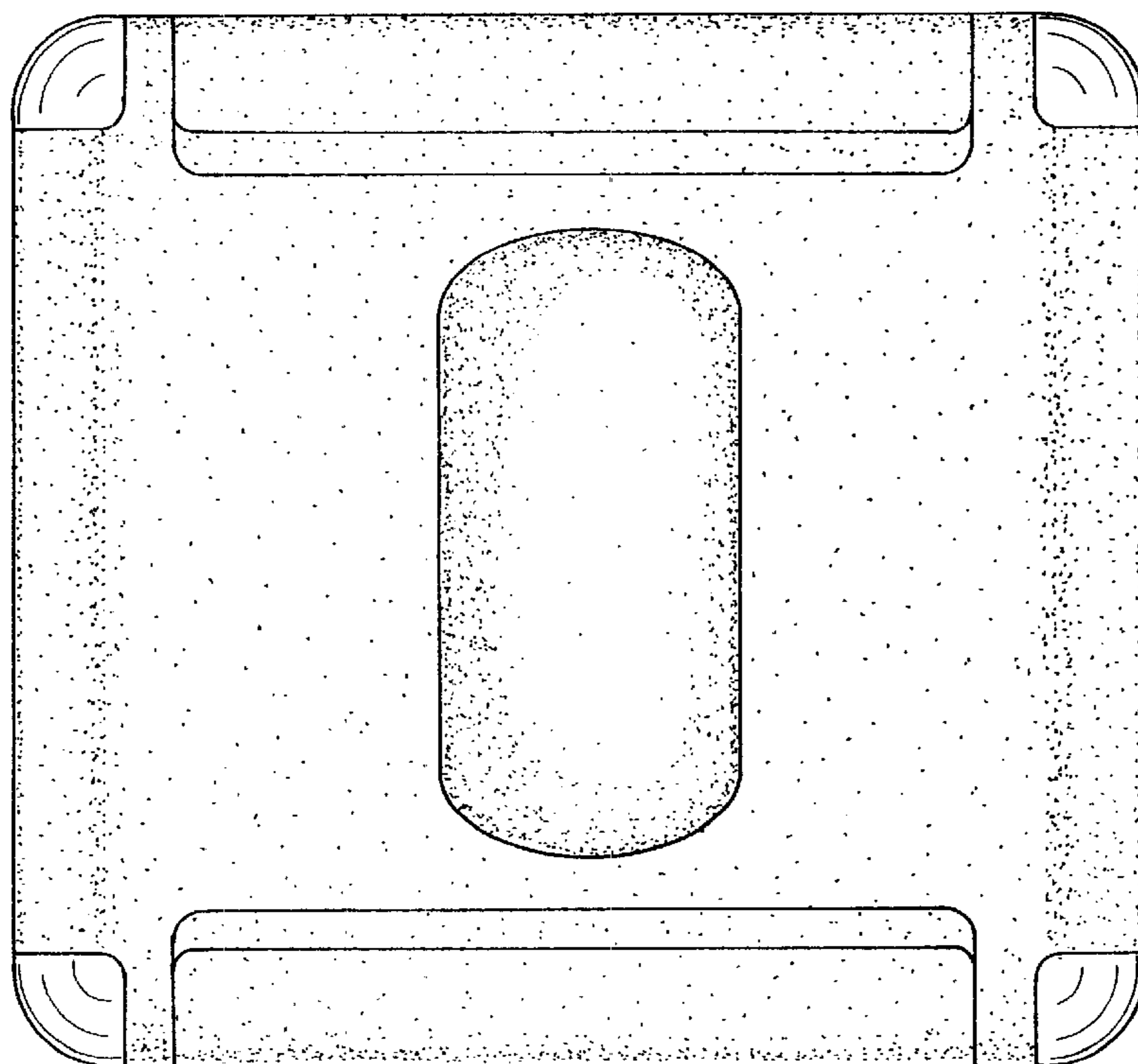


FIG. 6