



US00D475368S

(12) **United States Design Patent**
Chang

(10) **Patent No.:** **US D475,368 S**

(45) **Date of Patent:** **** Jun. 3, 2003**

(54) **MINIATURE COMPUTER**

(75) Inventor: **Grace Chang**, Taipei Hsien (TW)

(73) Assignee: **Saint Song Corp.**, Taipei Hsien (TW)

(**) Term: **14 Years**

(21) Appl. No.: **29/161,437**

(22) Filed: **May 31, 2002**

(51) **LOC (7) Cl.** **14-02**

(52) **U.S. Cl.** **D14/300**

(58) **Field of Search** D14/300-301,
D14/314, 356, 363-366, 348, 353, 355;
D13/162, 184, 199; 312/223.1-223.3; 360/99.01-99.12;
361/690-696, 680-686; 369/34.01, 36.01

(56) **References Cited**

U.S. PATENT DOCUMENTS

D347,212 S * 5/1994 Riley D14/355

D357,903 S * 5/1995 Lin D14/353

D415,120 S * 10/1999 Daly et al. D14/348

* cited by examiner

Primary Examiner—Freda Nunn

(74) *Attorney, Agent, or Firm*—Rosenberg, Klein & Lee

(57) **CLAIM**

The ornamental design for a “miniature computer”, as shown and described.

DESCRIPTION

FIG. 1 is the perspective view of a “miniature computer” showing my new design;

FIG. 2 is the front view thereof;

FIG. 3 is the rear view thereof;

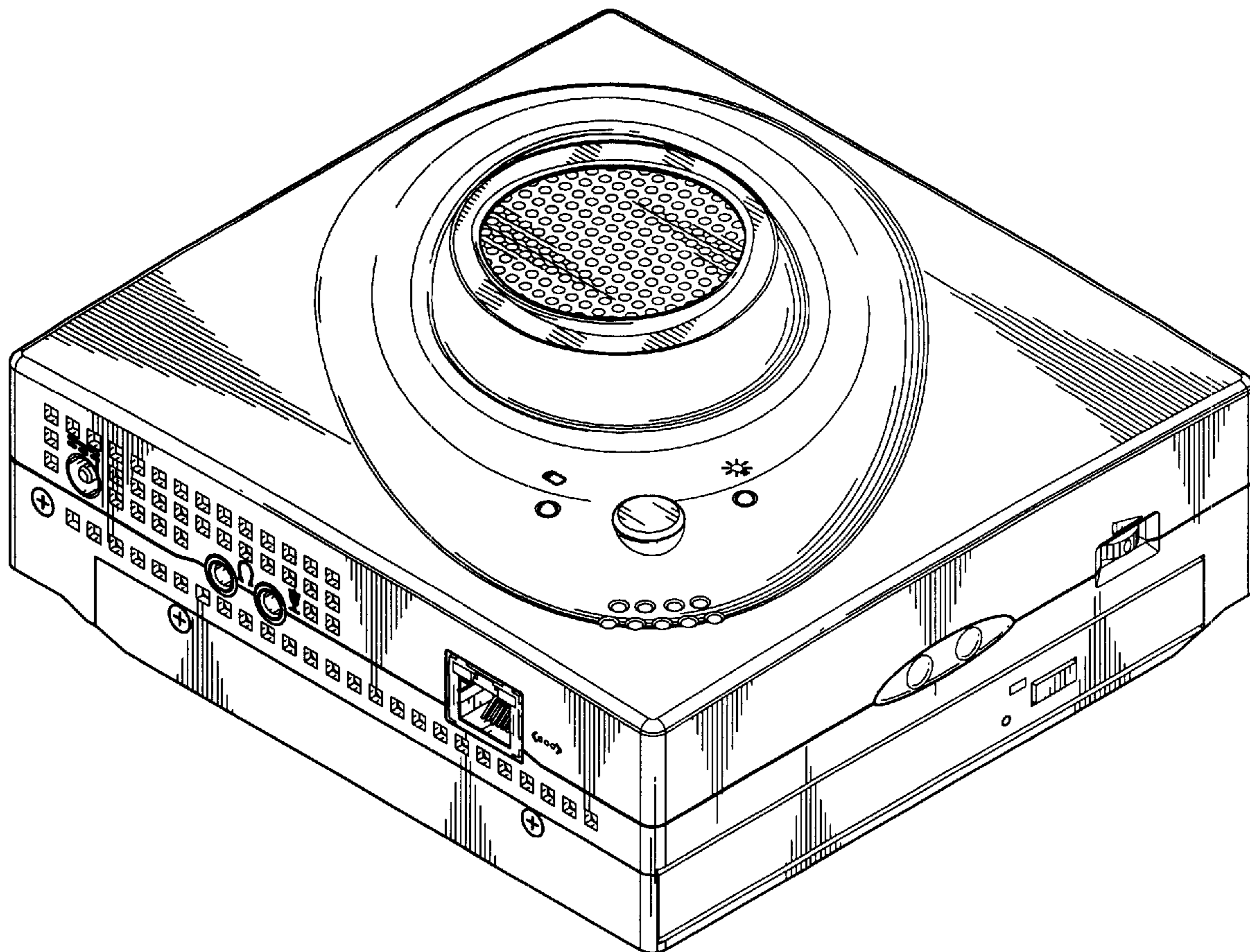
FIG. 4 is the left side view thereof;

FIG. 5 is the right side view thereof;

FIG. 6 is the top view thereof; and,

FIG. 7 is the bottom view thereof.

1 Claim, 5 Drawing Sheets



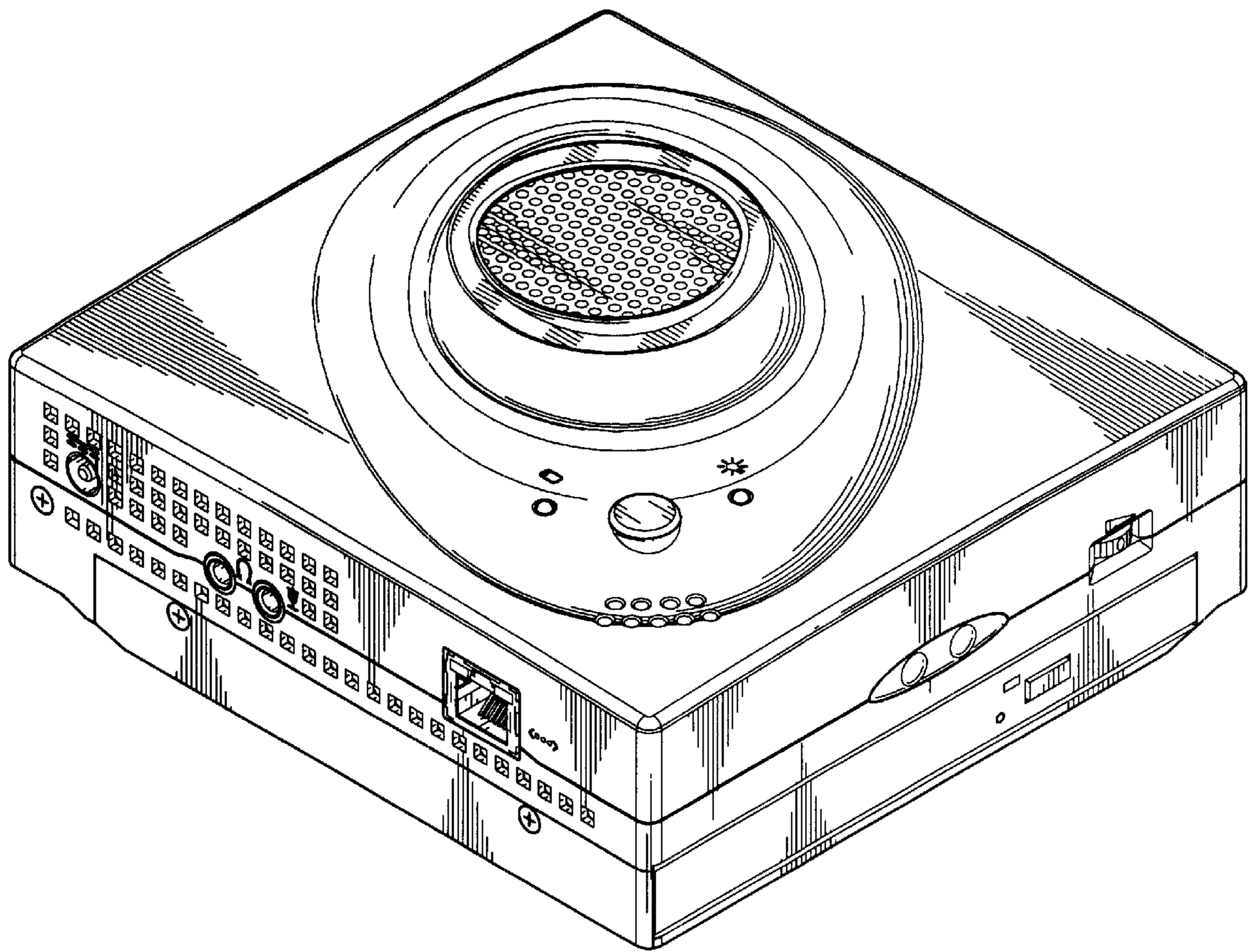


FIG. 1

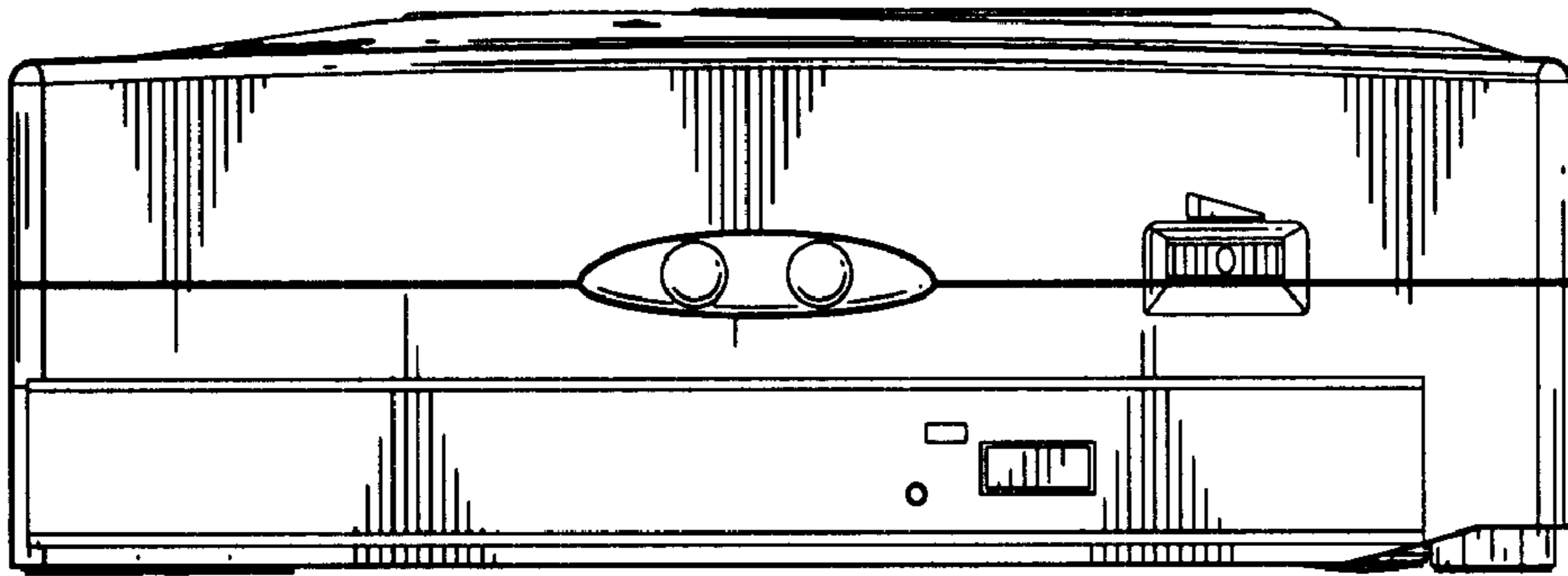


FIG. 2

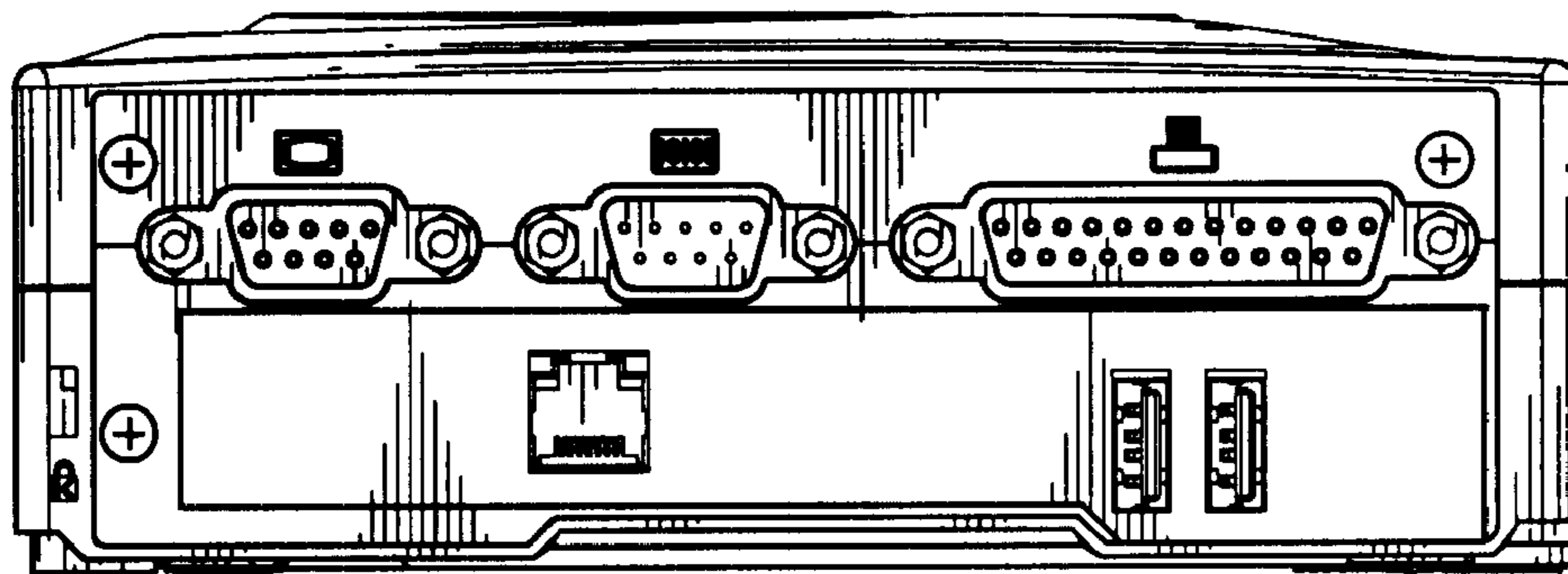


FIG. 3

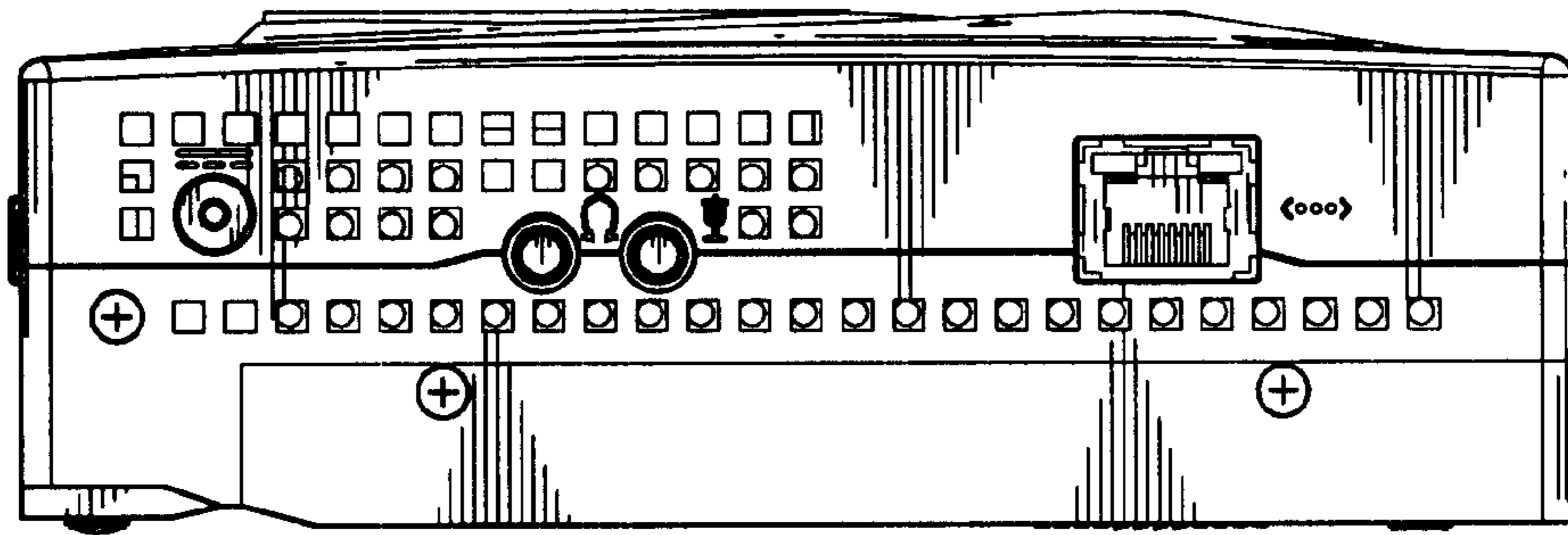


FIG. 4

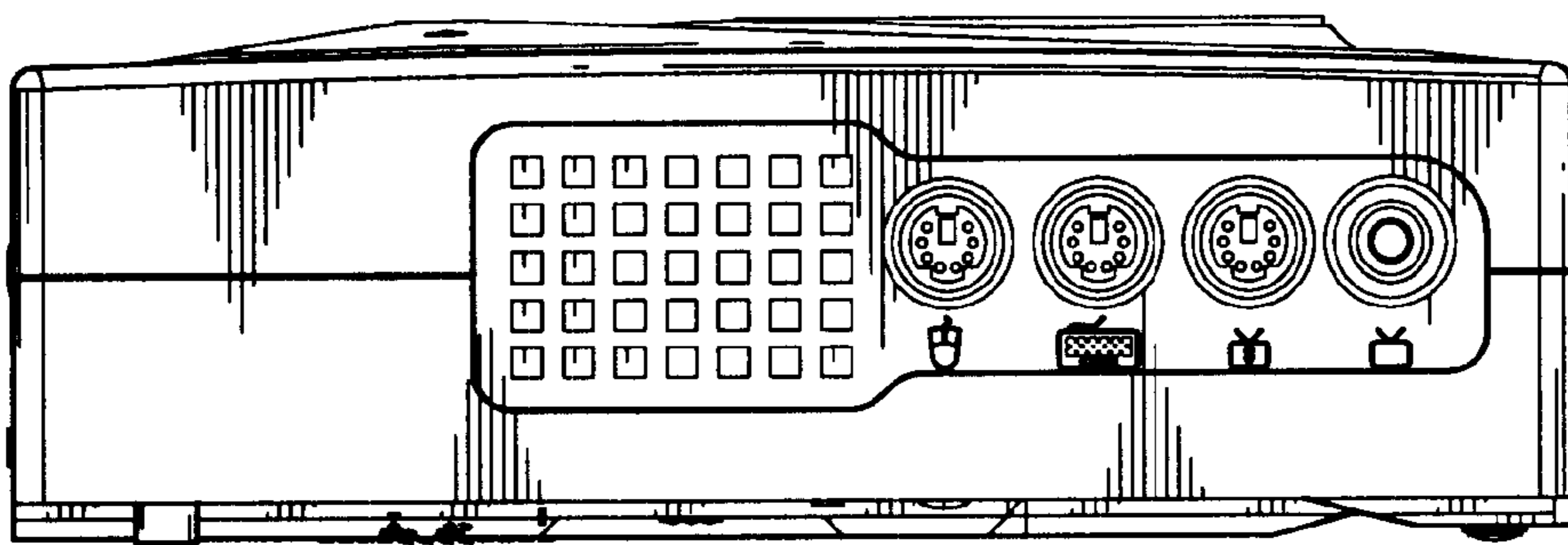


FIG. 5

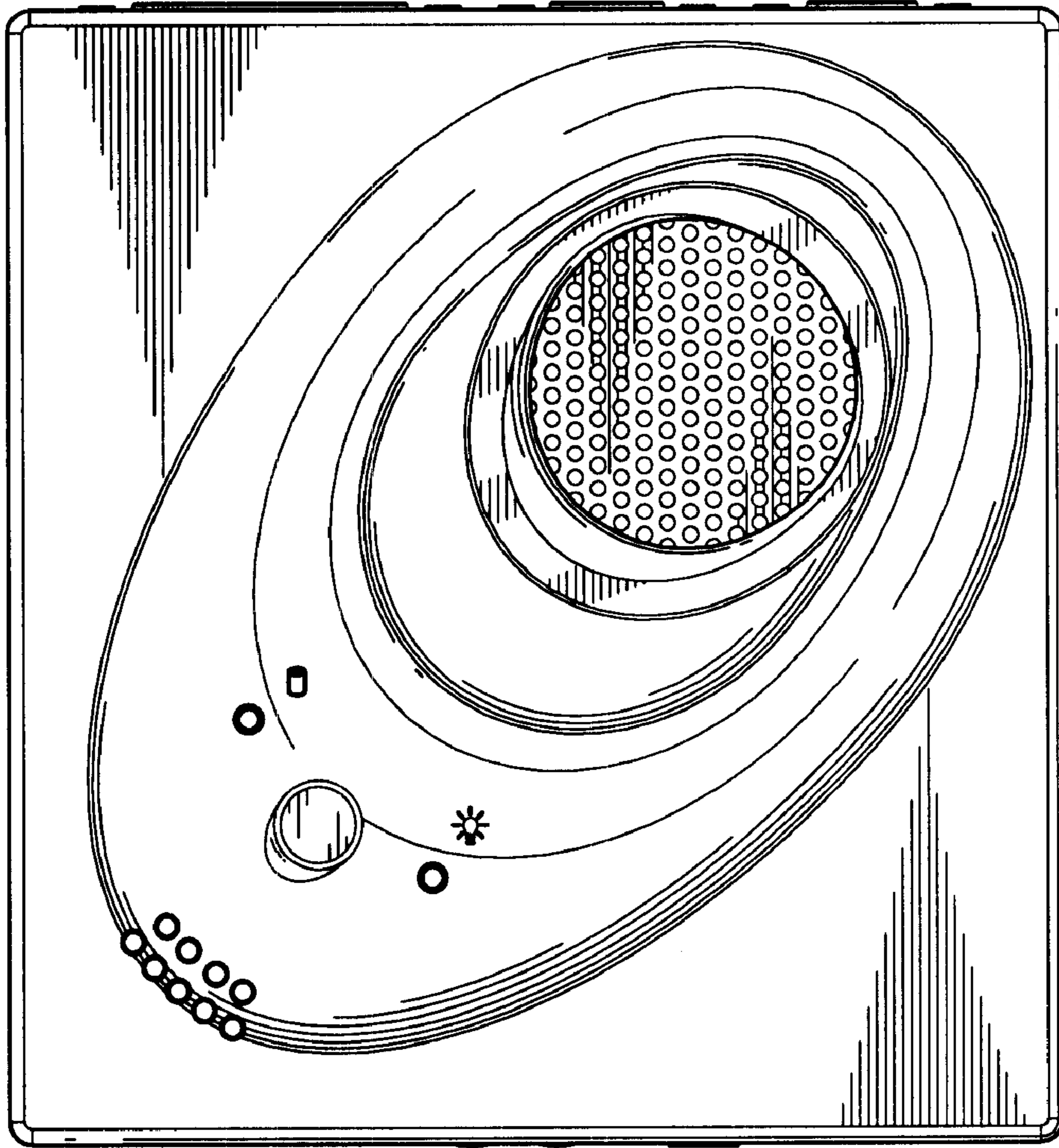


FIG. 6

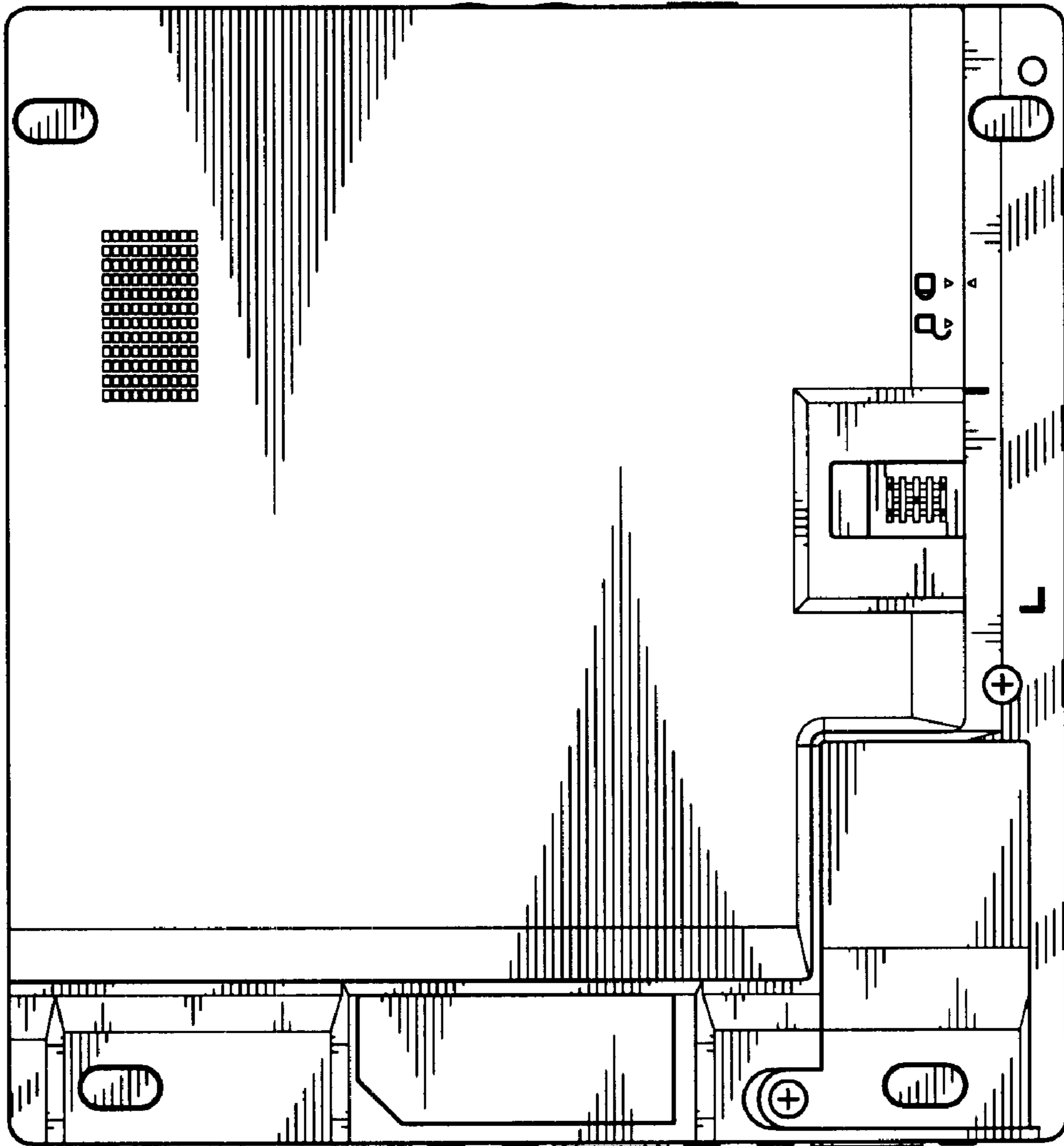


FIG. 7