



US00D475365S

(12) **United States Design Patent**
Yamamoto

(10) **Patent No.:** **US D475,365 S**

(45) **Date of Patent:** **** Jun. 3, 2003**

(54) **PICKUP FOR AN OPTICAL DISC PLAYER**

D288,558 S * 3/1987 Takemura et al. D14/239
5,742,996 A * 4/1998 Frater et al. 360/104 X

(75) Inventor: **Hiroshi Yamamoto**, Tokyo (JP)

* cited by examiner

(73) Assignee: **Sony Corporation**, Tokyo (JP)

Primary Examiner—Nanda Bondade

(**) Term: **14 Years**

(74) *Attorney, Agent, or Firm*—Rader, Fishman & Grauer
PLLC

(21) Appl. No.: **29/139,353**

(57) **CLAIM**

(22) Filed: **Mar. 2, 2001**

The ornamental design for a pickup for an optical disc player, as shown and described.

Related U.S. Application Data

DESCRIPTION

(63) Continuation-in-part of application No. 29/107,818, filed on Jul. 12, 1999, now Pat. No. Des. 444,458.

FIG. 1 is a reference top, front perspective view of a pickup for an optical disc player showing my new design; FIG. 2 is a top plan view thereof; FIG. 3 is a front elevational view thereof; FIG. 4 is a left side elevational view thereof; FIG. 5 is a right side elevational view thereof; and, FIG. 6 is a top, rear perspective view of a pickup for an optical disc player showing my new design.

(30) **Foreign Application Priority Data**

Feb. 24, 1999 (JP) 11-4201

The even broken line showings of a pickup for optical disc player in FIGS. 2 and 6 are for illustrative purpose only and form no part of the claimed design. The dot-dash broken lines define, but are not included in, the boundaries of the claimed design.

(51) **LOC (7) Cl.** **14-99**

(52) **U.S. Cl.** **D14/217; D14/262; D14/156**

(58) **Field of Search** D14/156, 217,
D14/239, 260, 262, 299; 360/104, 105,
114; 369/13, 105

(56) **References Cited**

U.S. PATENT DOCUMENTS

D228,238 S * 8/1973 Fujii et al. D14/260

D278,428 S * 4/1985 Tsuchihashi et al. D14/217

1 Claim, 5 Drawing Sheets

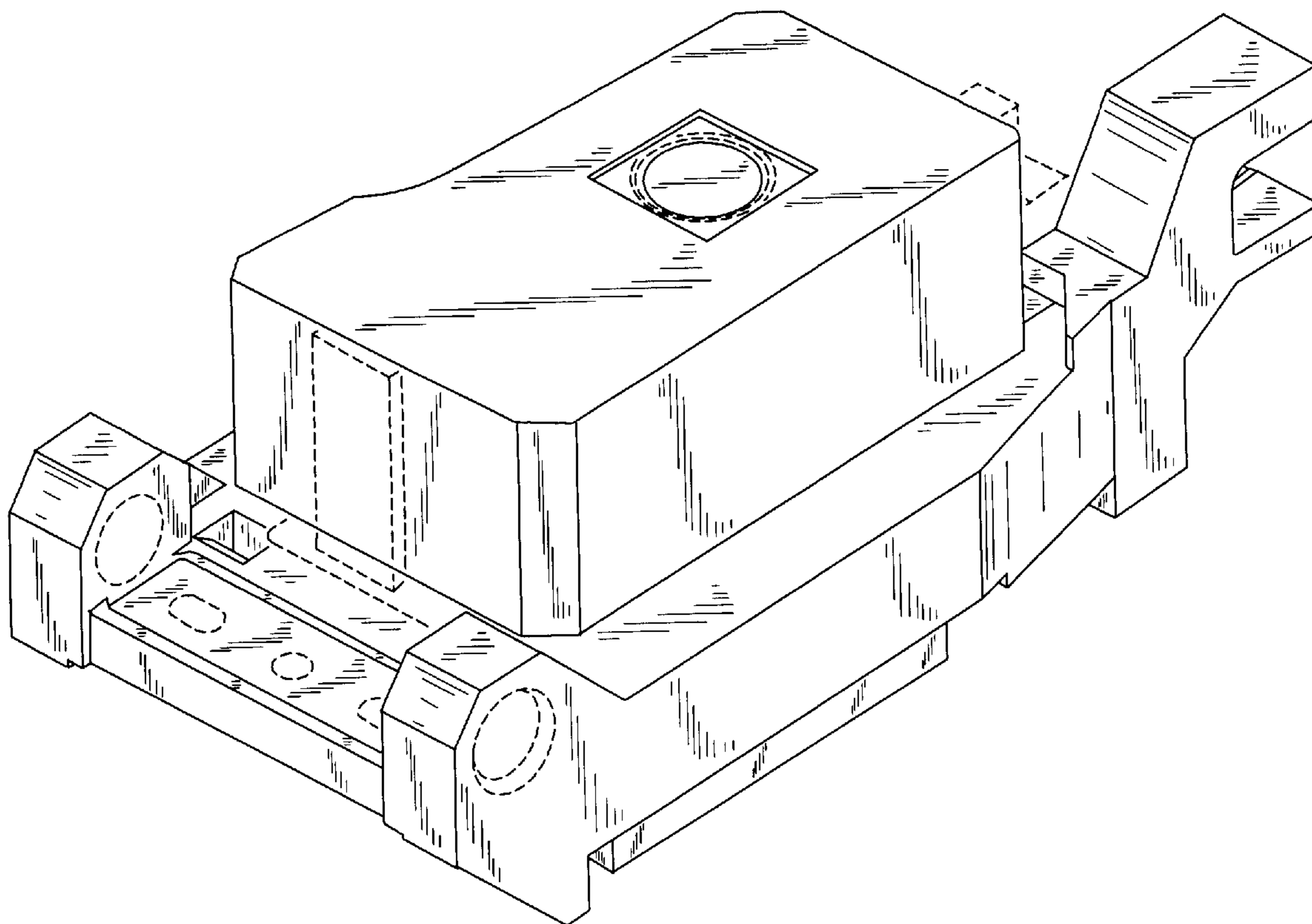


FIG. 1

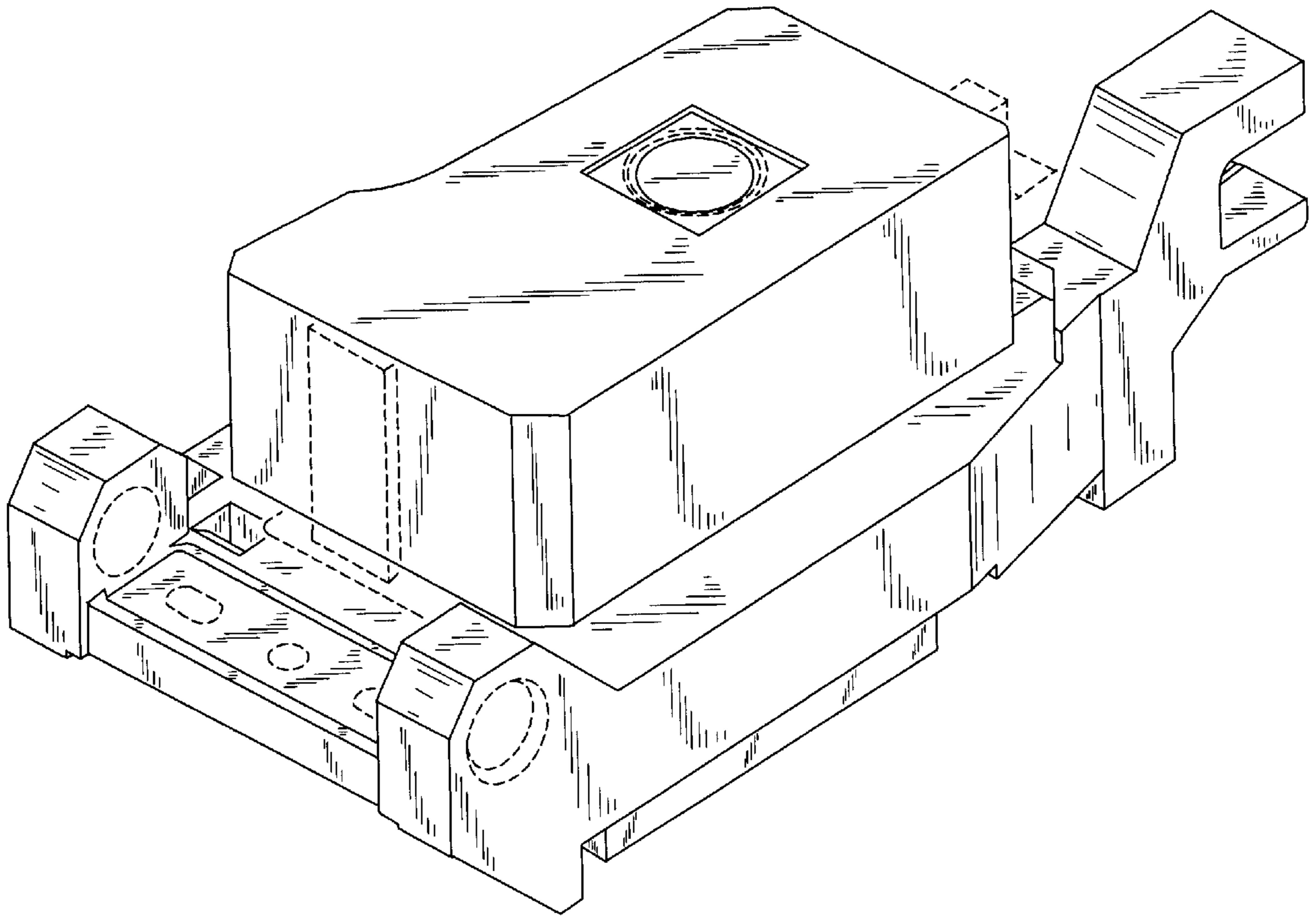


FIG. 2

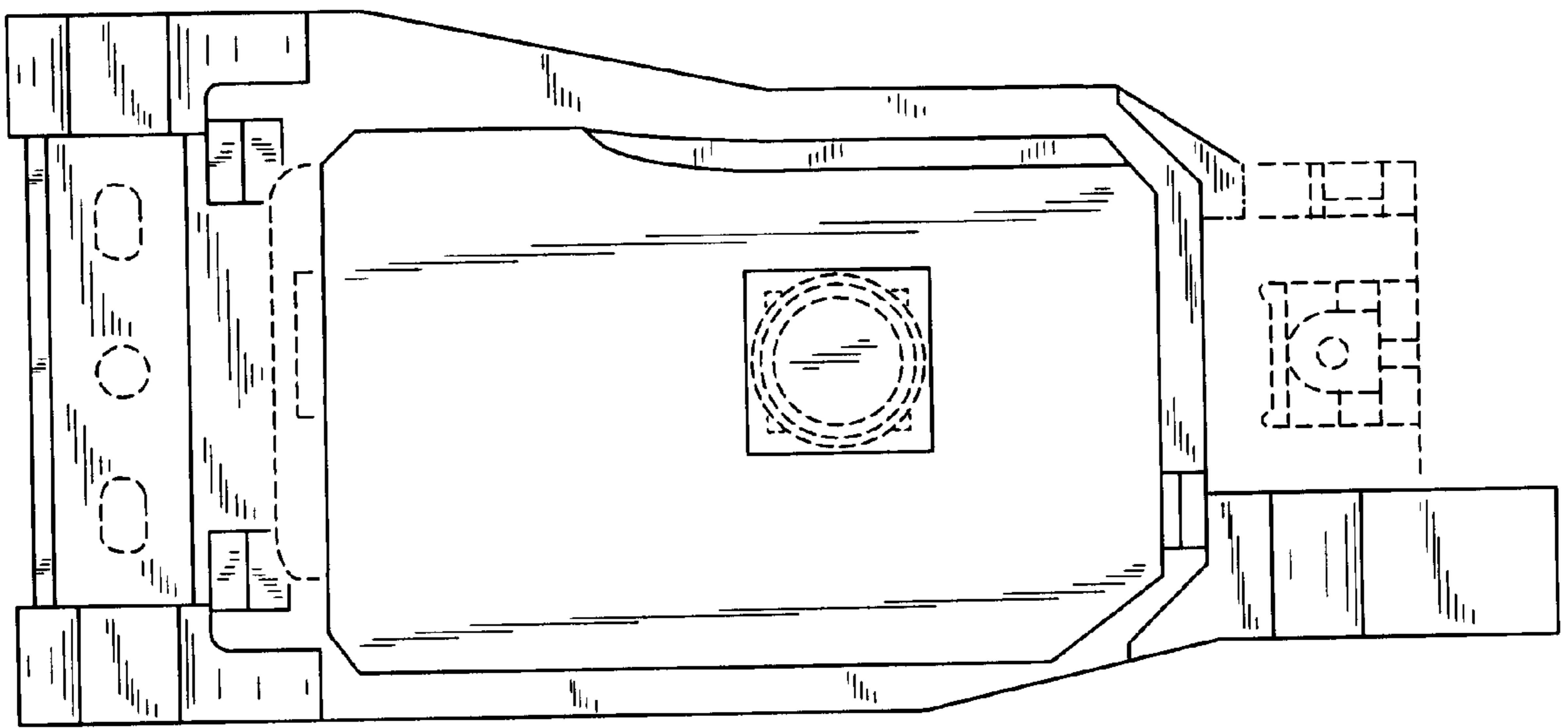


FIG. 3

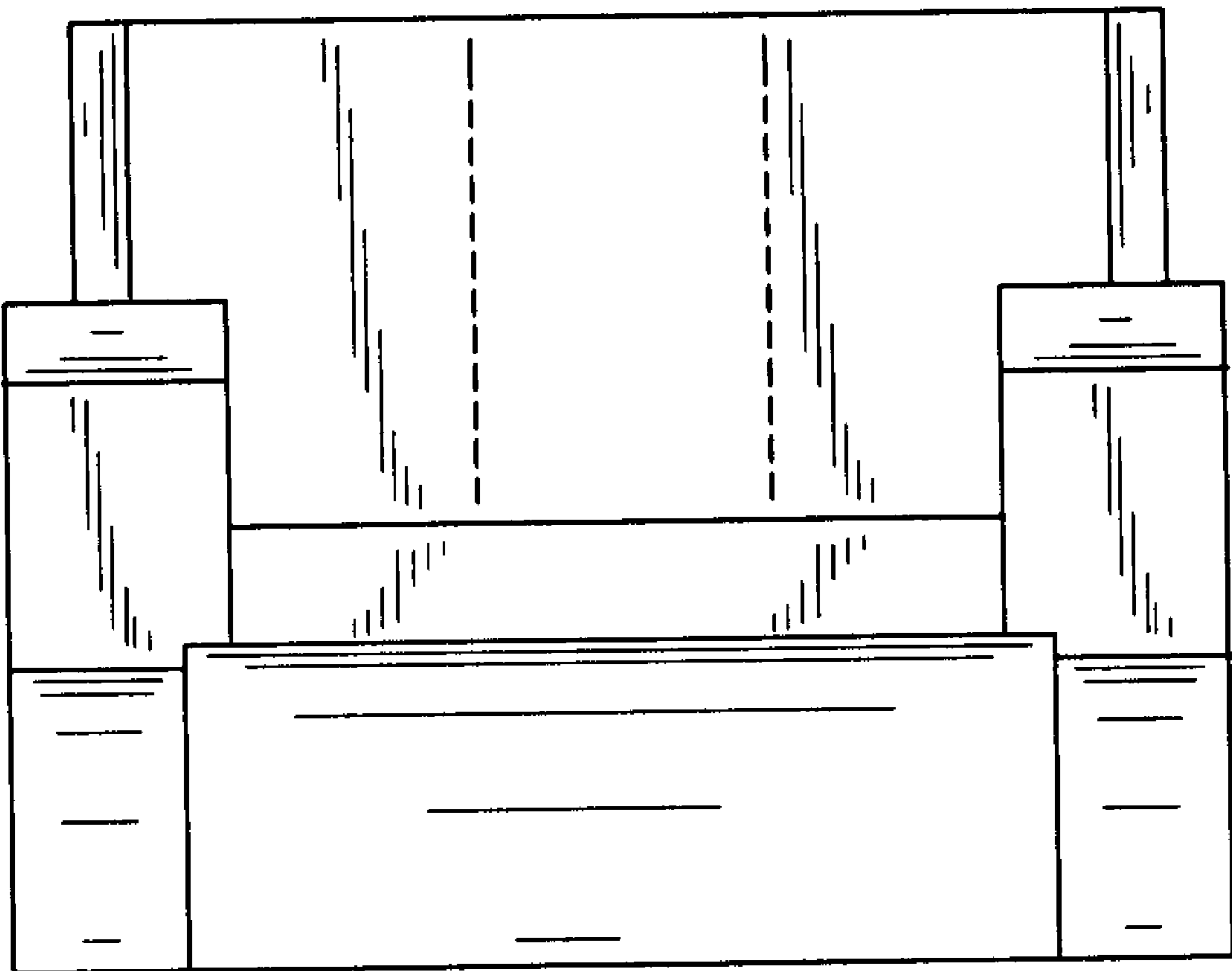


FIG. 4

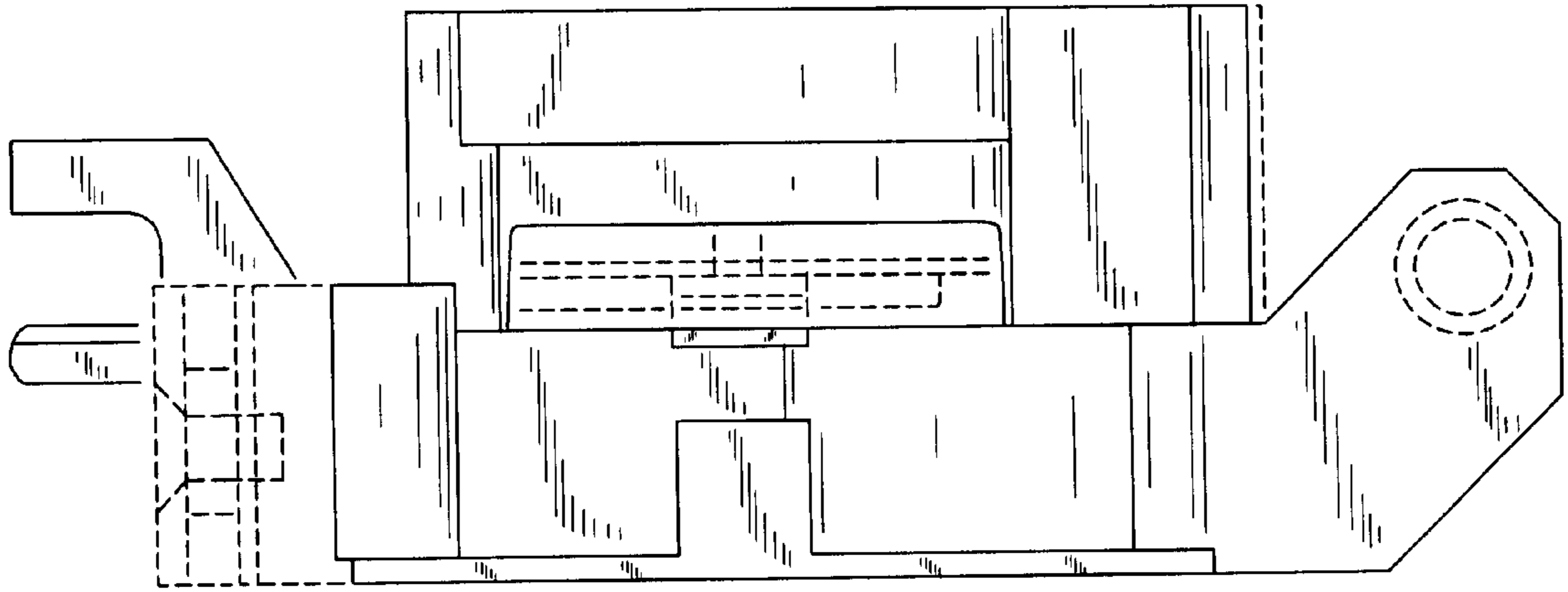


FIG. 5

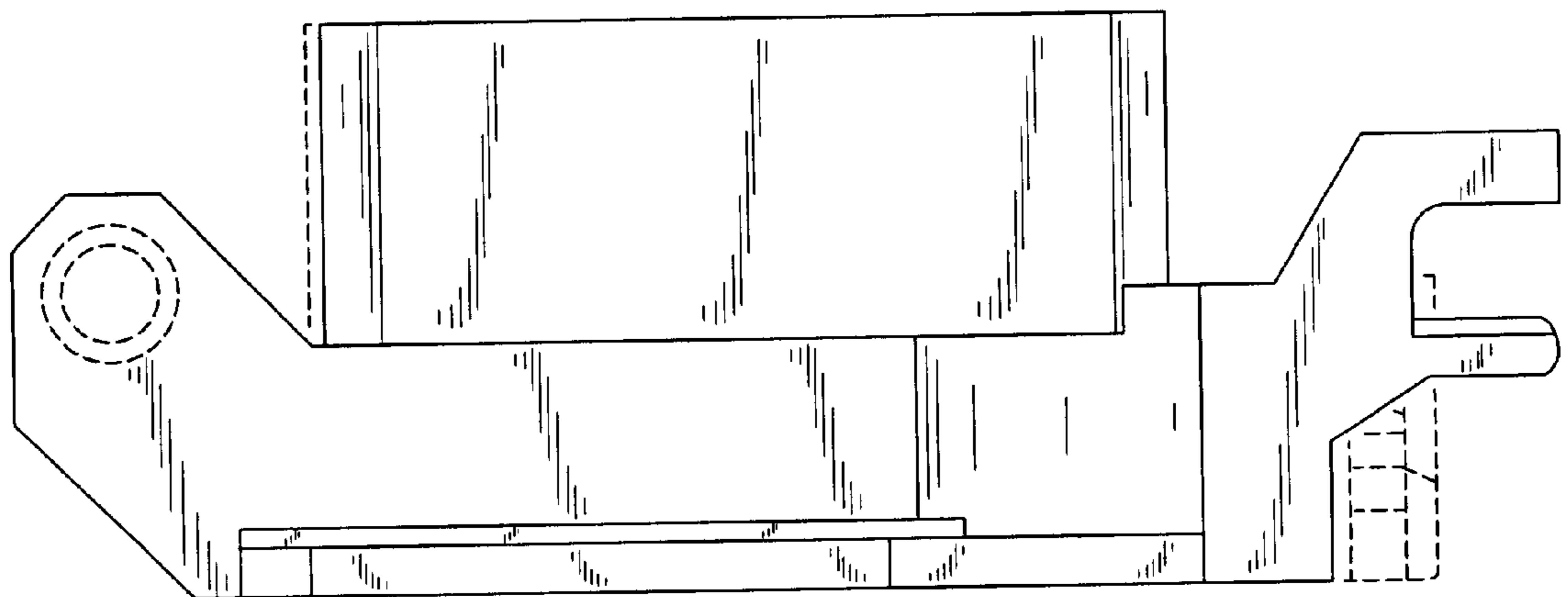


FIG. 6

