



US00D475363S

(12) **United States Design Patent**
Tang

(10) **Patent No.:** **US D475,363 S**

(45) **Date of Patent:** **** Jun. 3, 2003**

(54) **RADIO**

D419,157 S * 1/2000 Haney D14/192
D437,842 S * 2/2001 Chen D14/194

(75) Inventor: **Lai Chun Tang**, Kowloon (HK)

* cited by examiner

(73) Assignee: **Sweda Limited**, Kowloon (HK)

Primary Examiner—Prabhakar Deshmukh

(**) Term: **14 Years**

(74) *Attorney, Agent, or Firm*—Alix, Yale & Ristas, LLP

(21) Appl. No.: **29/161,859**

(57) **CLAIM**

(22) Filed: **Jun. 5, 2002**

The ornamental design for a radio, as shown and described.

(51) **LOC (7) Cl.** **14-03**

DESCRIPTION

(52) **U.S. Cl.** **D14/194**

FIG. 1 is a front perspective view of the radio showing my new design;

(58) **Field of Search** D14/170, 171,
D14/188, 189, 193–198, 204, 207, 168;
455/344, 347, 350, 351

FIG. 2 is a front view of the radio of FIG. 1;

FIG. 3 is a left side view of the radio of FIG. 1;

FIG. 4 is a top plan view of the radio of FIG. 1;

FIG. 5 is a rear view of the radio of FIG. 1;

FIG. 6 is a right side view of the radio of FIG. 1; and,

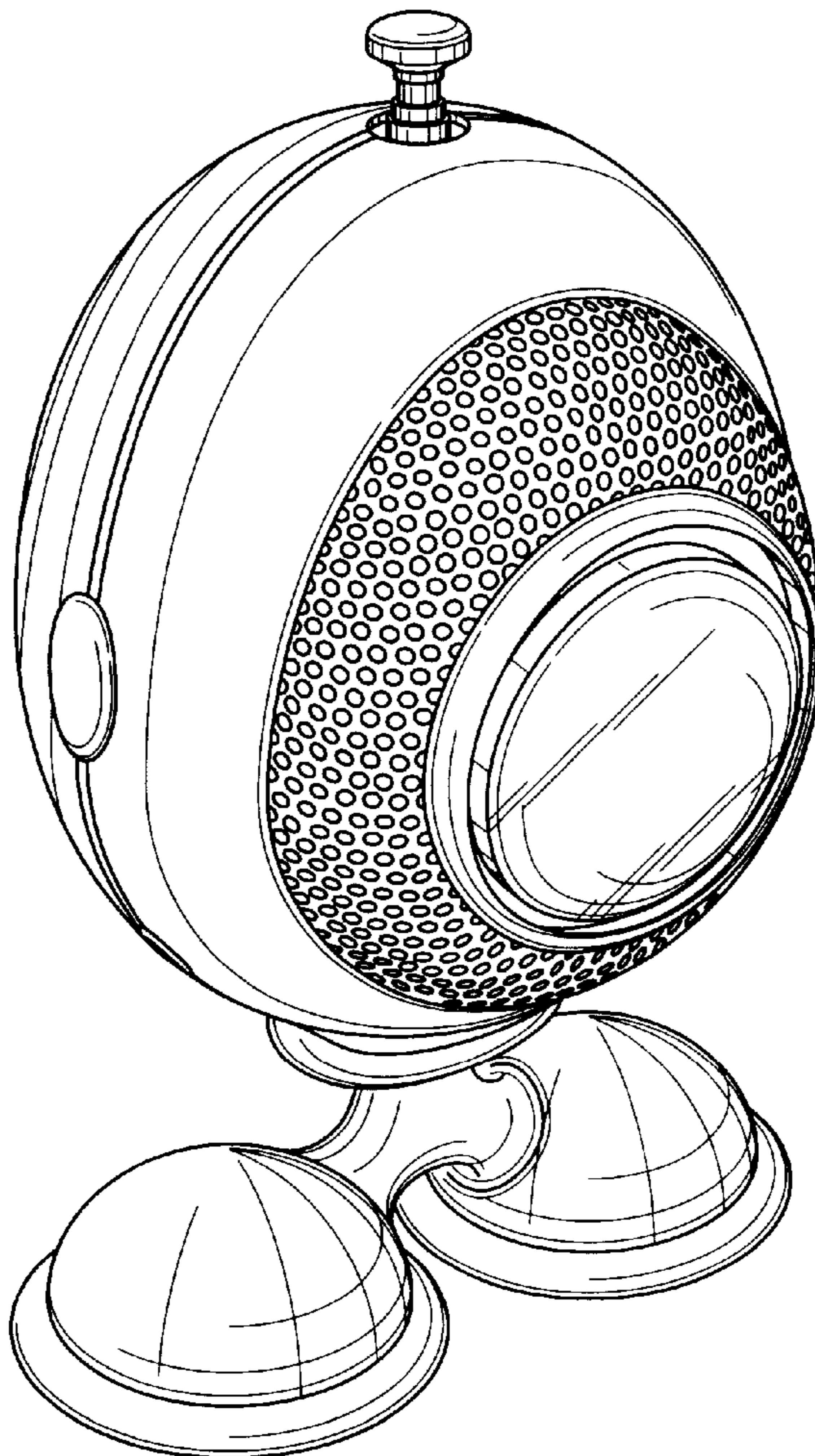
FIG. 7 is a bottom plan view of the radio of FIG. 1.

(56) **References Cited**

U.S. PATENT DOCUMENTS

D313,021 S * 12/1990 Ehrmann D14/195
D384,957 S * 10/1997 Lee D14/195

1 Claim, 3 Drawing Sheets



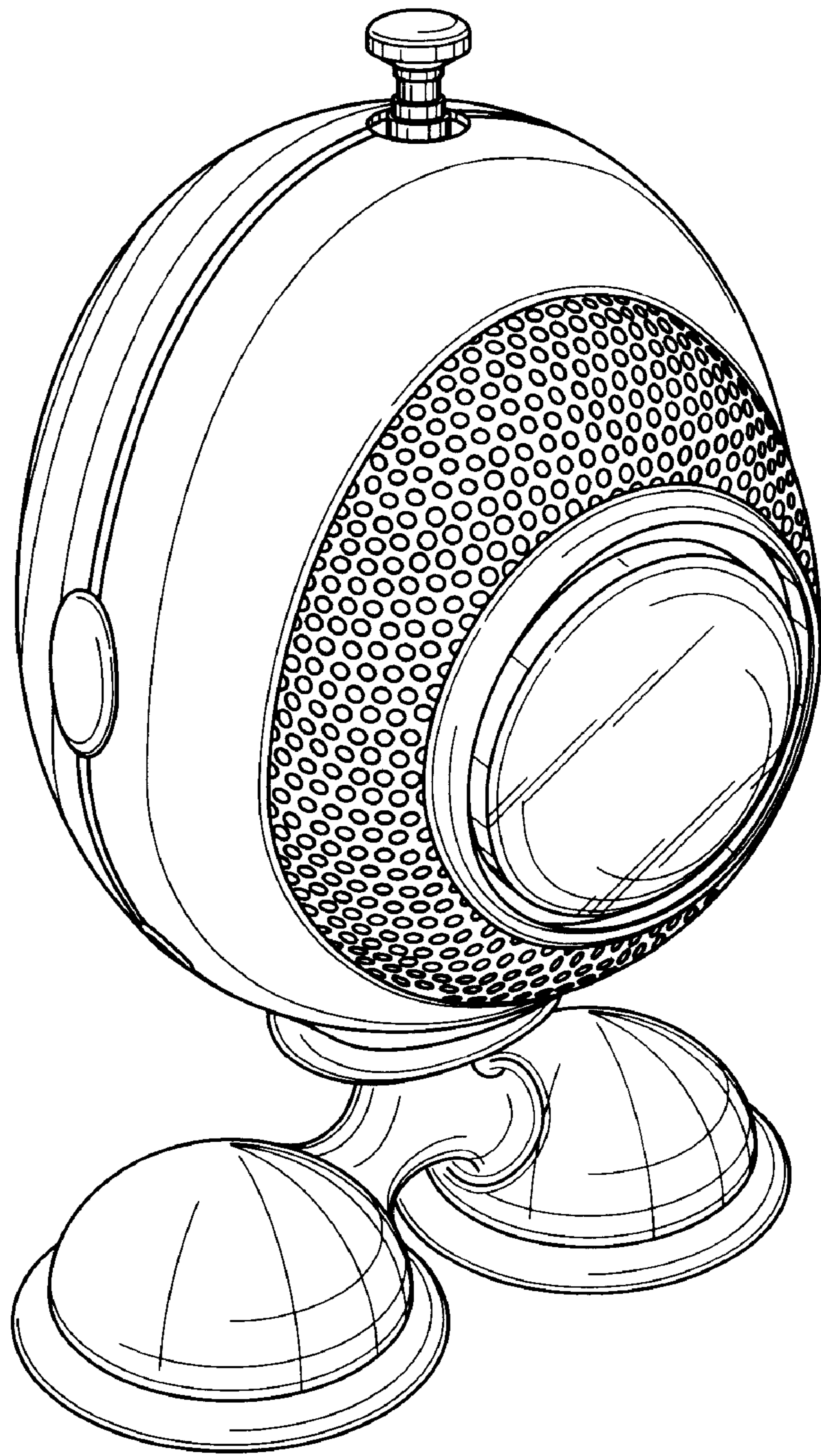


FIG. 1

FIG. 4

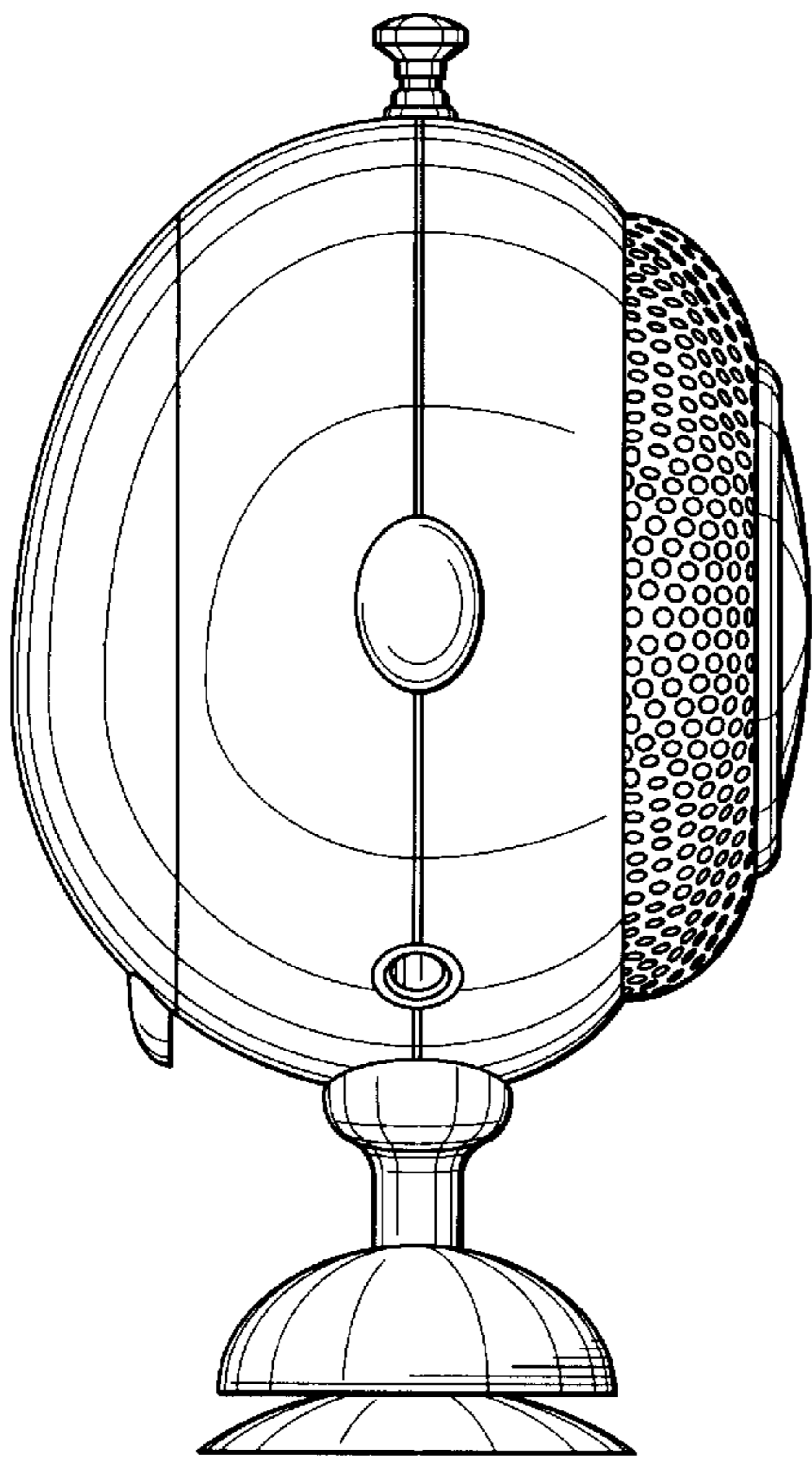
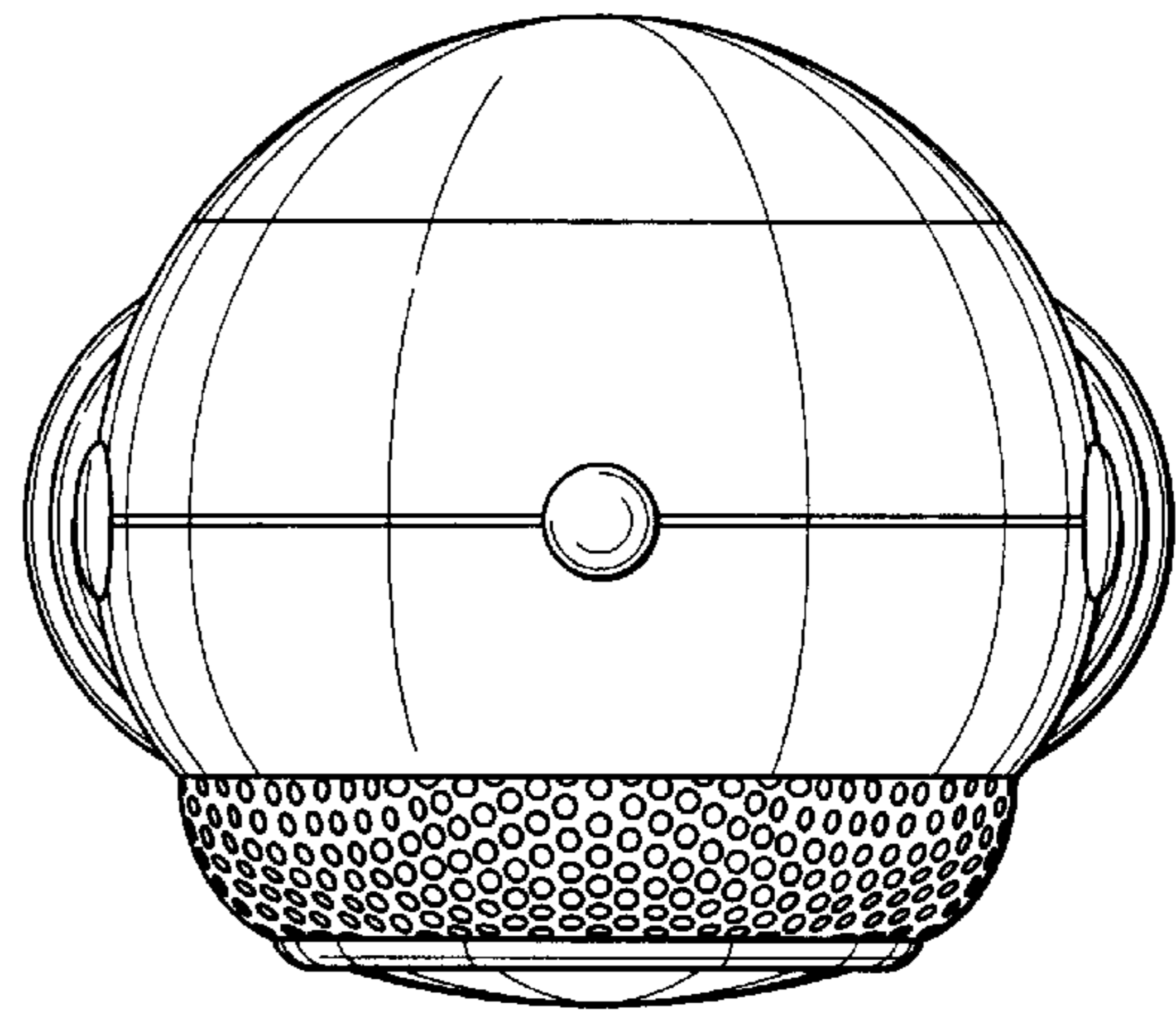


FIG. 3

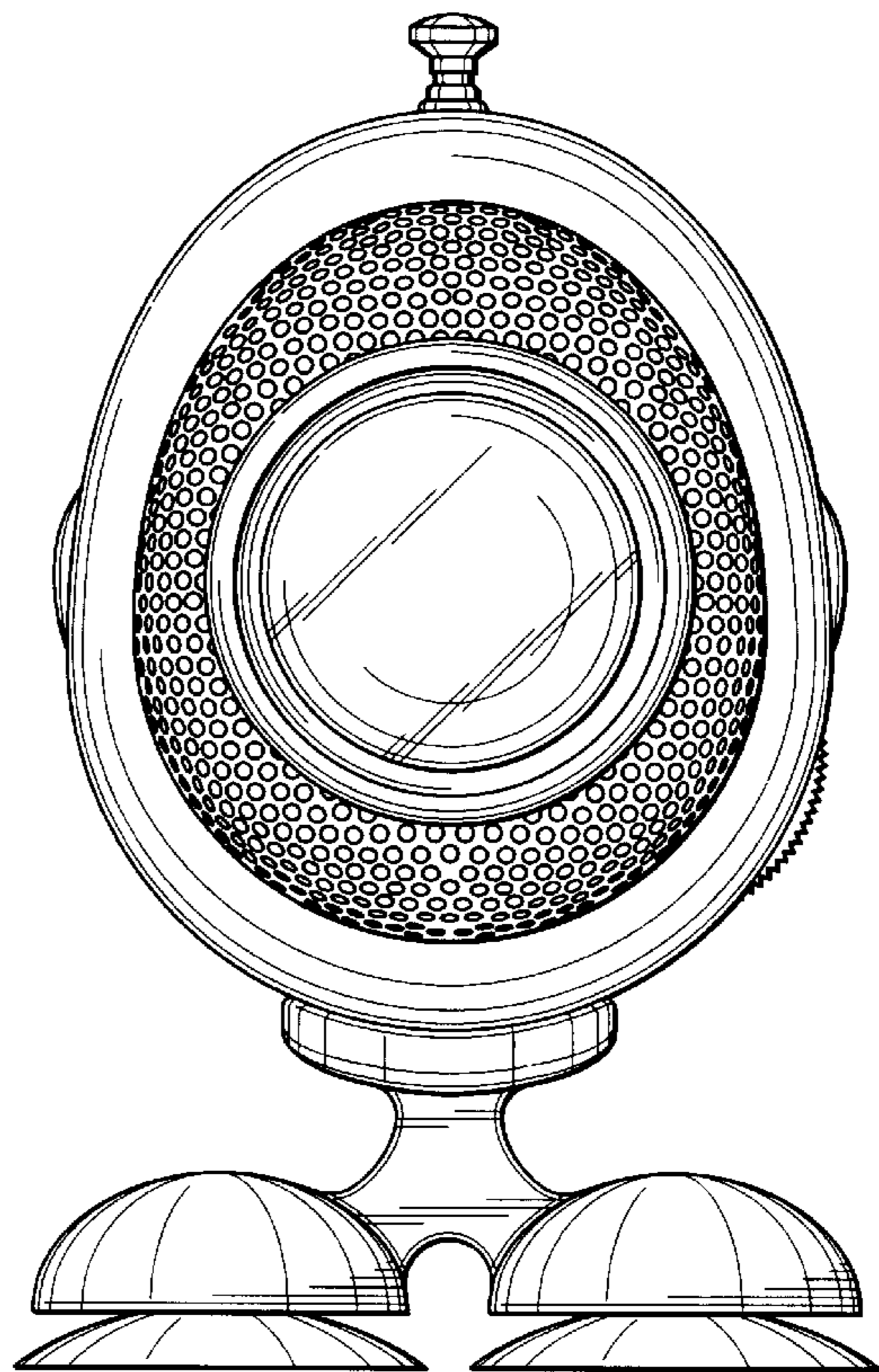


FIG. 2

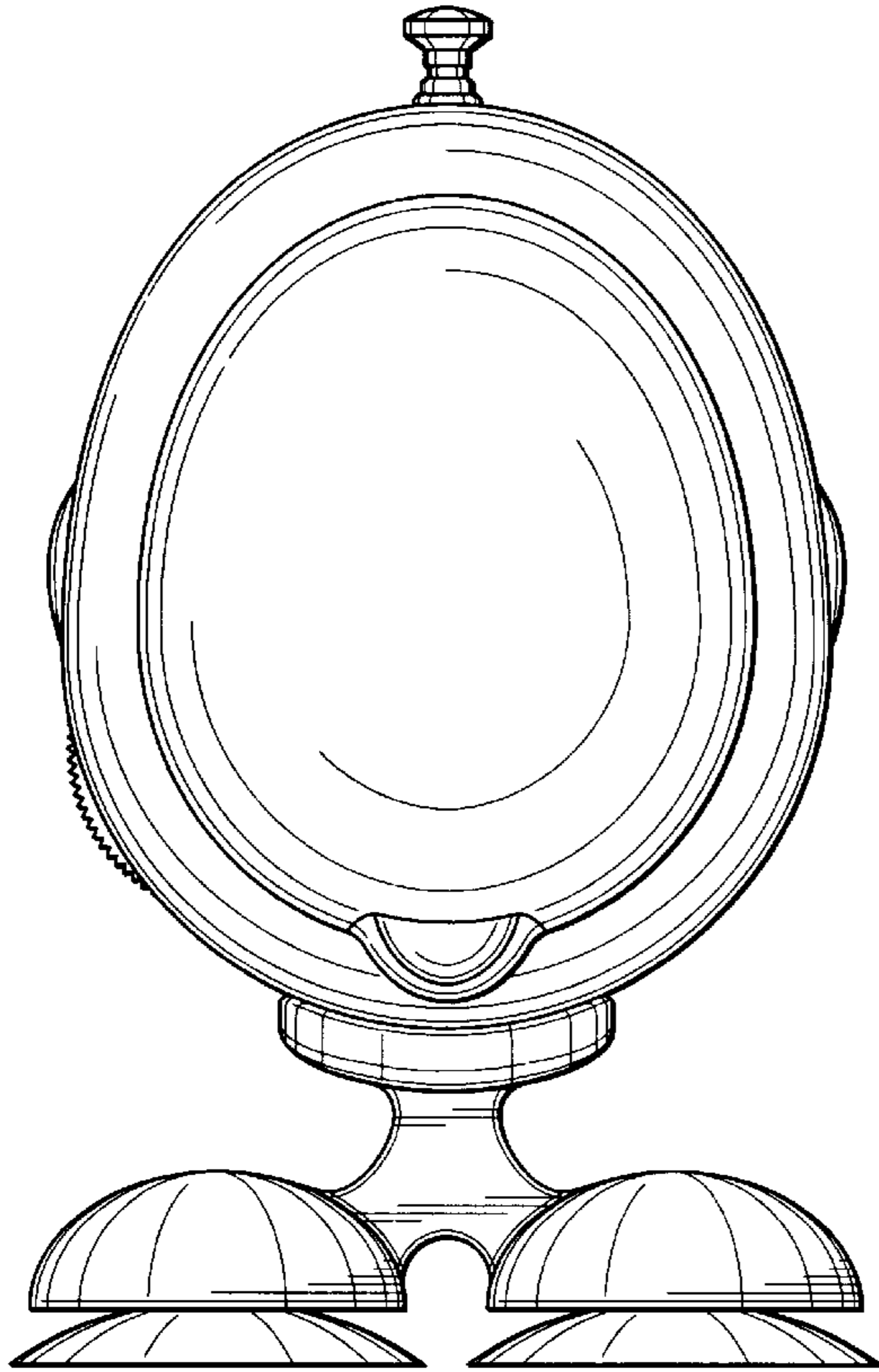


FIG. 5

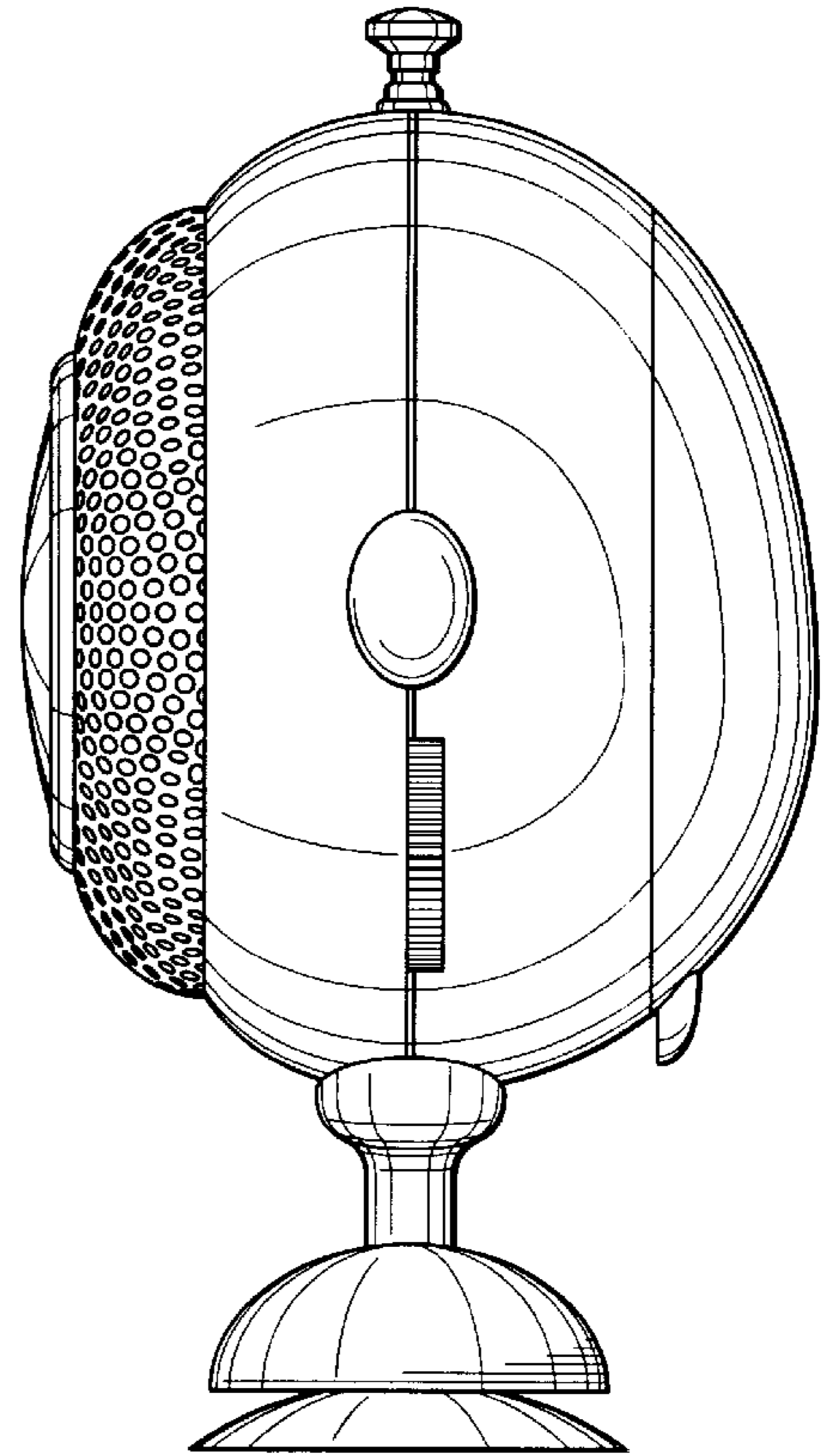


FIG. 6

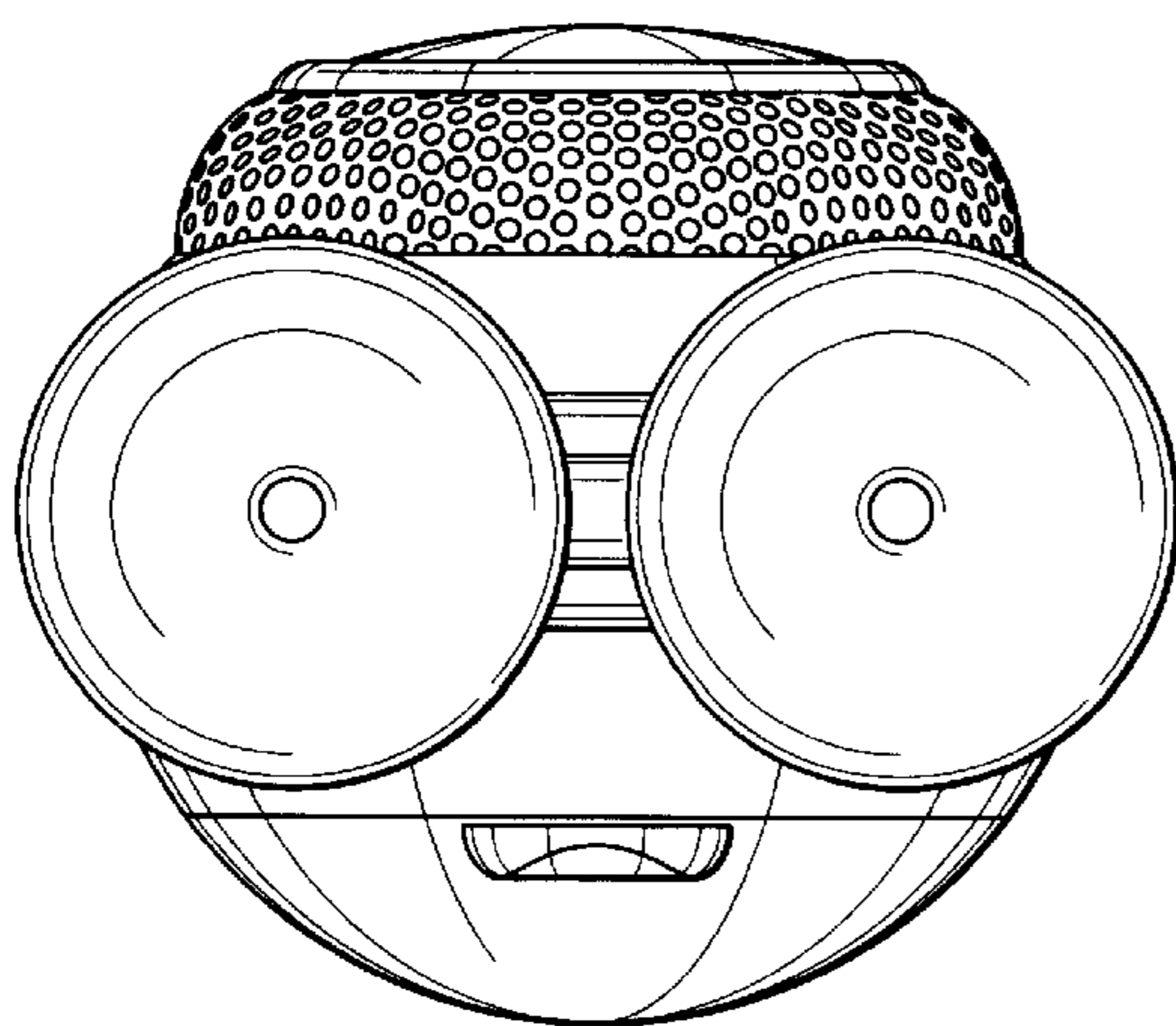


FIG. 7