



US00D475362S

(12) **United States Design Patent**
Suzuki

(10) **Patent No.:** **US D475,362 S**

(45) **Date of Patent:** **** Jun. 3, 2003**

(54) **COMBINED DISC PLAYER, RADIO RECEIVER AND CLOCK**

(75) Inventor: **Satoshi Suzuki**, Tokyo (JP)

(73) Assignee: **Sony Corporation**, Tokyo (JP)

(**) Term: **14 Years**

(21) Appl. No.: **29/162,633**

(22) Filed: **Jun. 20, 2002**

(51) **LOC (7) Cl.** **14-01**

(52) **U.S. Cl.** **D14/168**

(58) **Field of Search** D10/1-2, 15; D14/135-136, D14/156, 162, 167-168, 170-171, 188, 193-198; 312/7.1; 455/90, 100, 128, 344, 347, 350-351

(56) **References Cited**

U.S. PATENT DOCUMENTS

5,146,618 A	*	9/1992	Wenner	455/347
D365,823 S	*	1/1996	Borgonovo	D14/168
D435,840 S		1/2001	Ishibashi et al.		
D440,550 S	*	4/2001	Nakano	D14/168
D442,160 S	*	5/2001	Tsuchiya	D14/168
D452,963 S		1/2002	Suzuki		

OTHER PUBLICATIONS

Web Page "Sony Consumer Electronics Guide: ICF-C470MK2, ICF-C793 & ICF-CD823," <http://www.sel.sony.com/SEL/consumer/ss...walkmanrtm/clockradio/icf-c470mk2.shtml> 3 sheets, Sony (Mar. 2002).

Web Page "AIWA radio line-up" wysiwyg://80/http://www.aiwa.co.jp/products/portable/radio/index_sueoki.html 1 sheet, AIWA (Mar. 2002).

* cited by examiner

Primary Examiner—Nanda Bondade

(74) *Attorney, Agent, or Firm*—Rader, Fishman & Grauer PLLC

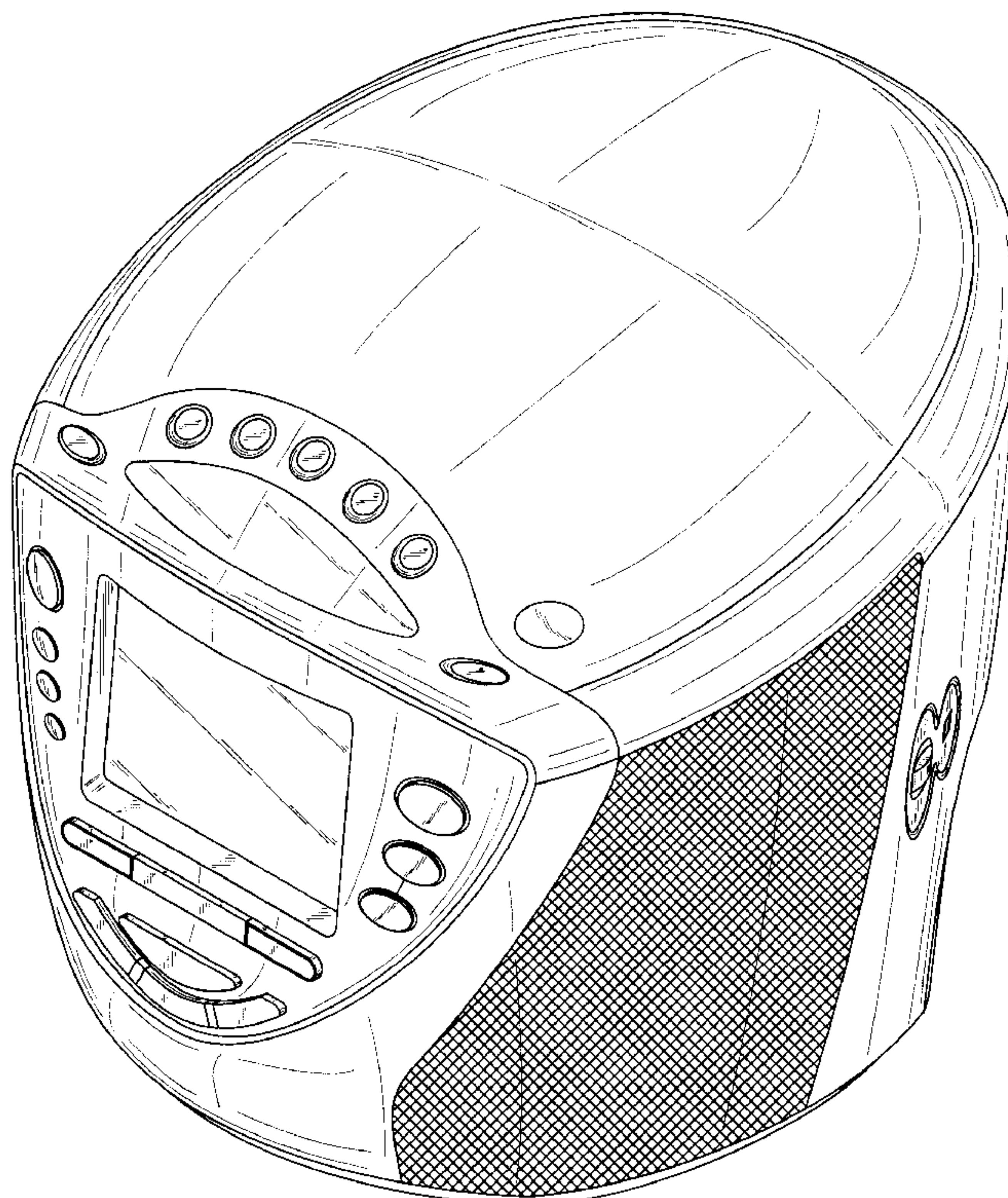
(57) **CLAIM**

The ornamental design for a combined disc player, radio receiver and clock, as shown.

DESCRIPTION

FIG. 1 is a perspective view of a combined disc player, radio receiver and clock showing my new design; FIG. 2 is a front elevational view thereof; FIG. 3 is a rear elevational view thereof; FIG. 4 is a left side elevational view thereof; FIG. 5 is a right side elevational view thereof; FIG. 6 is a top plan view thereof; and, FIG. 7 is a bottom plan view thereof.

1 Claim, 4 Drawing Sheets



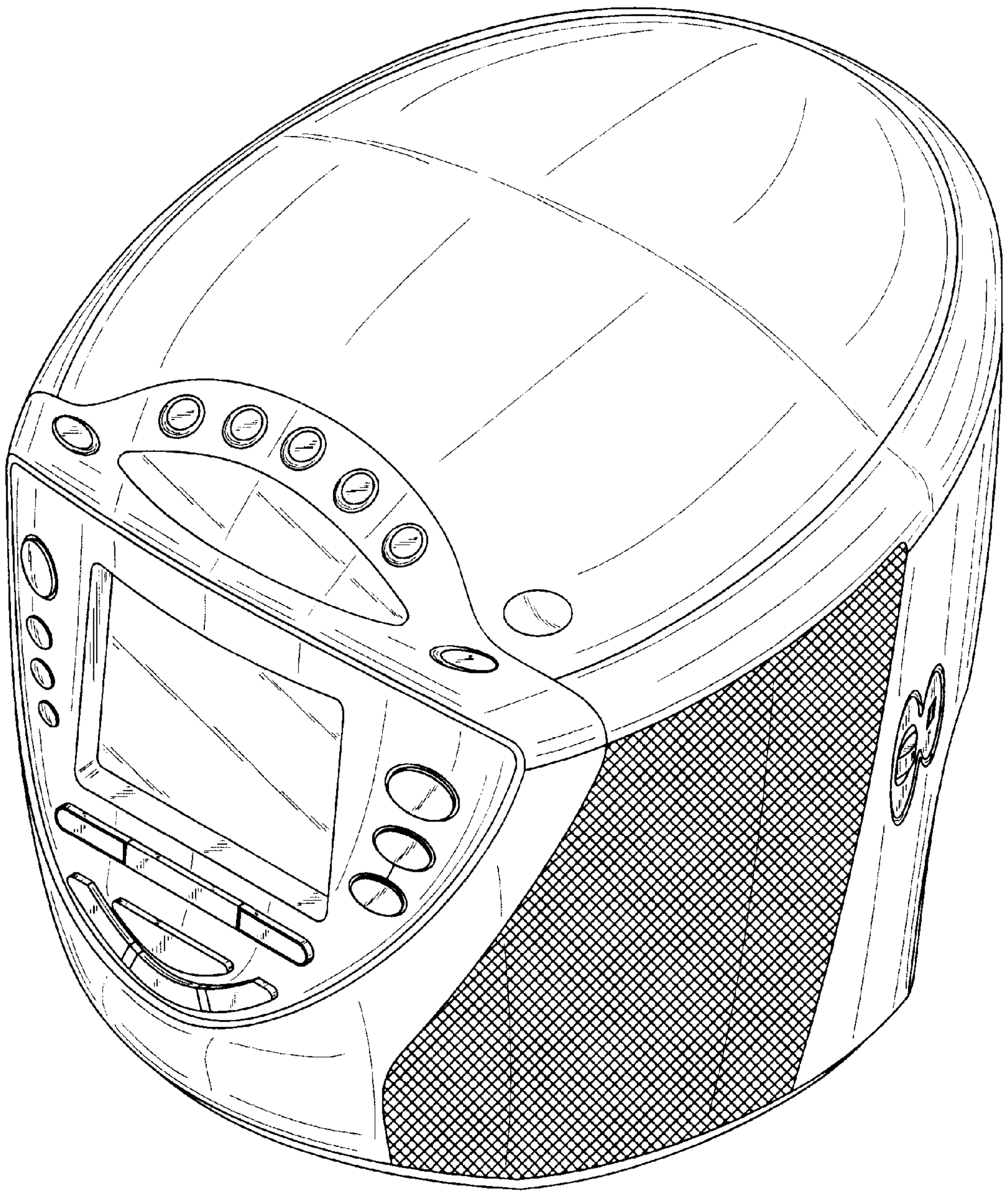


Fig. 1

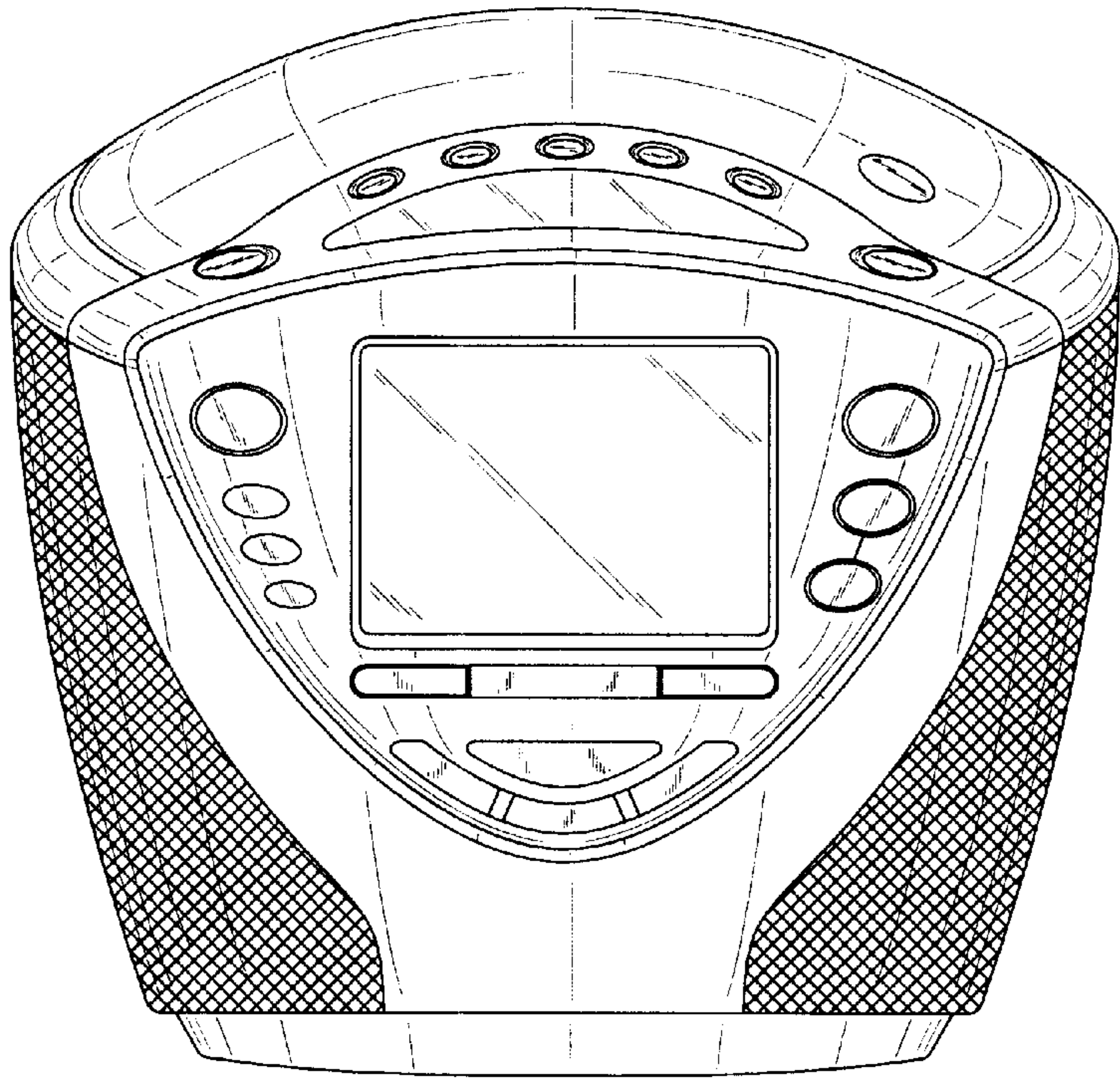


Fig. 2

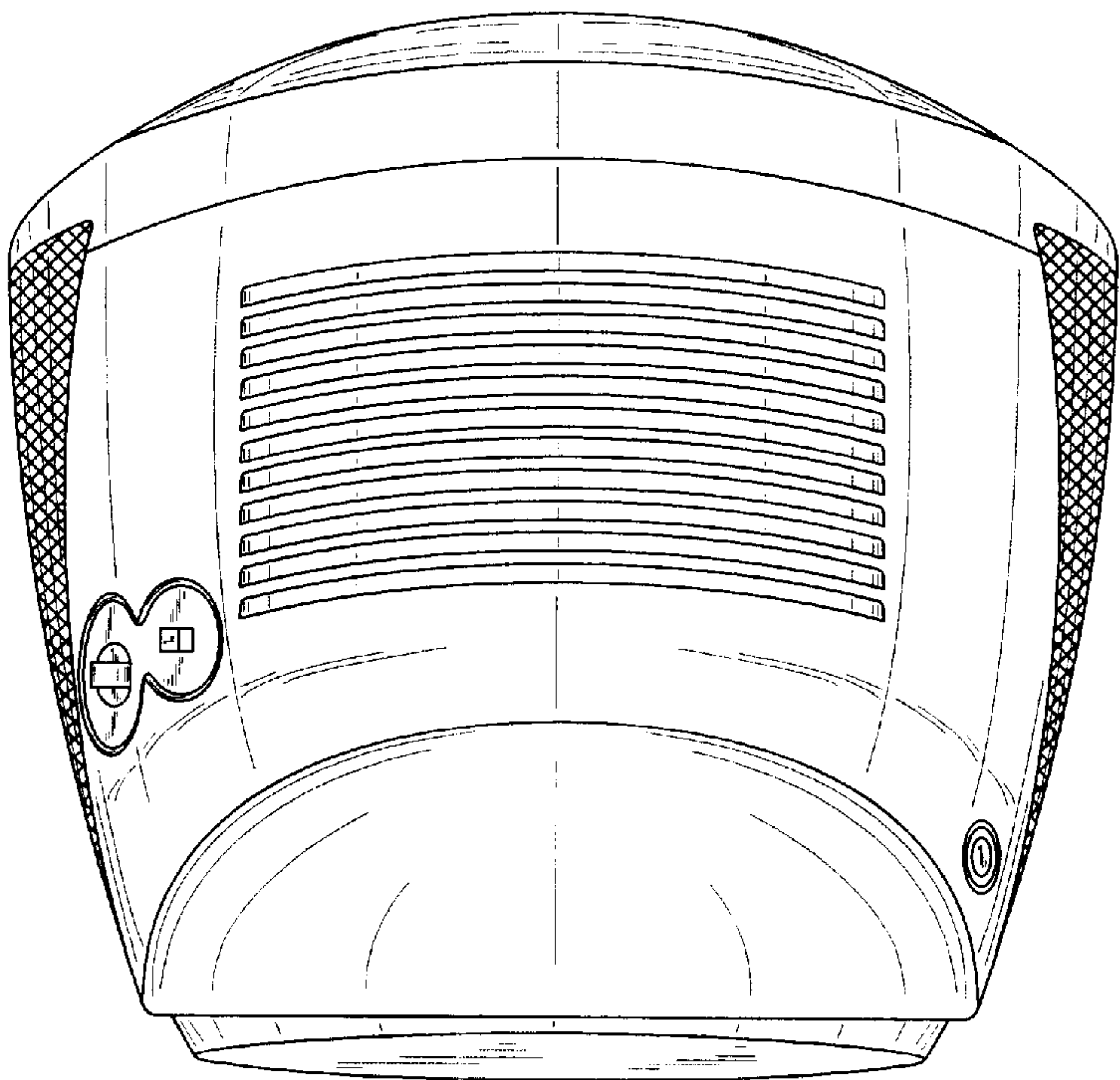


Fig. 3

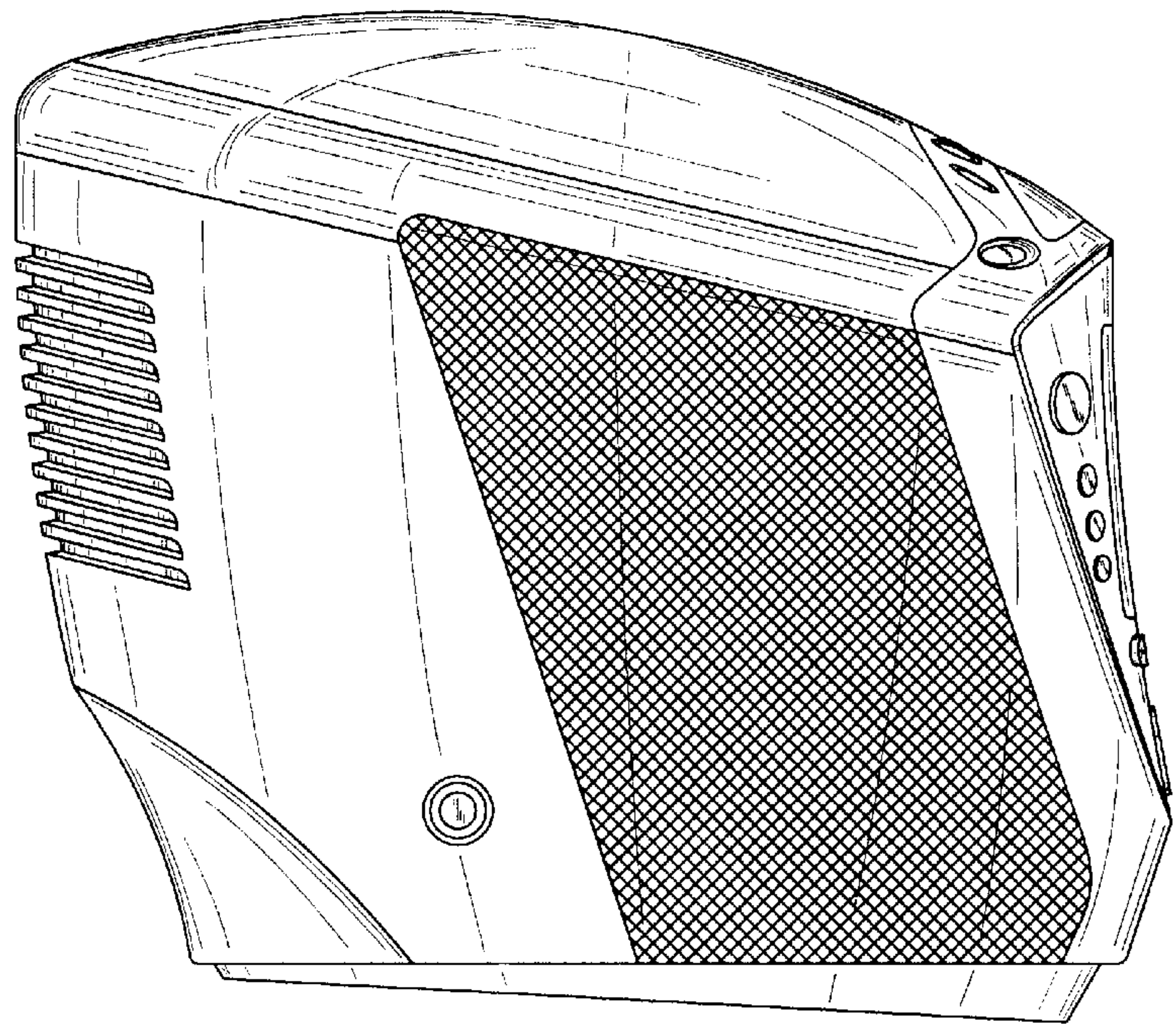


Fig. 4

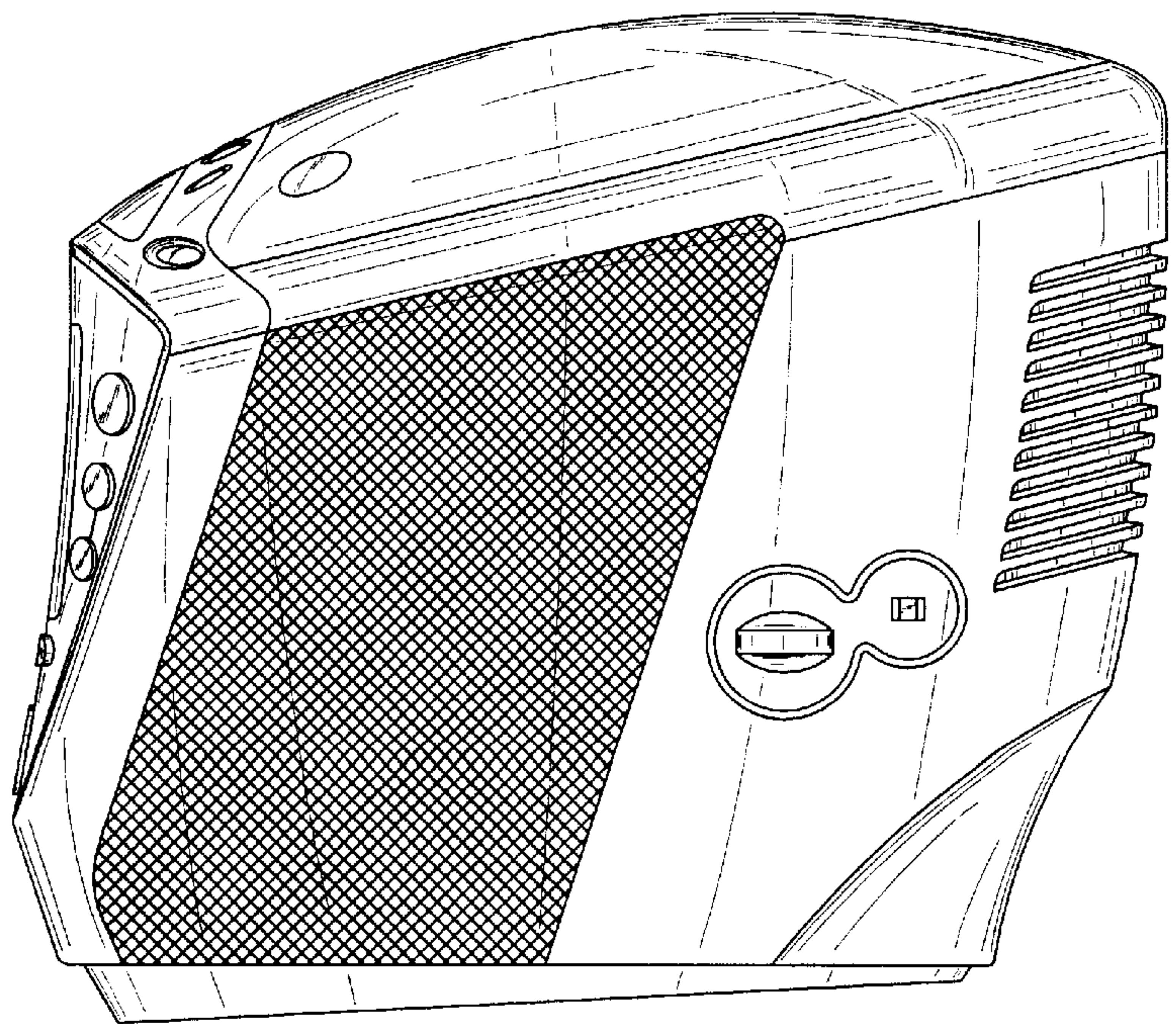


Fig. 5

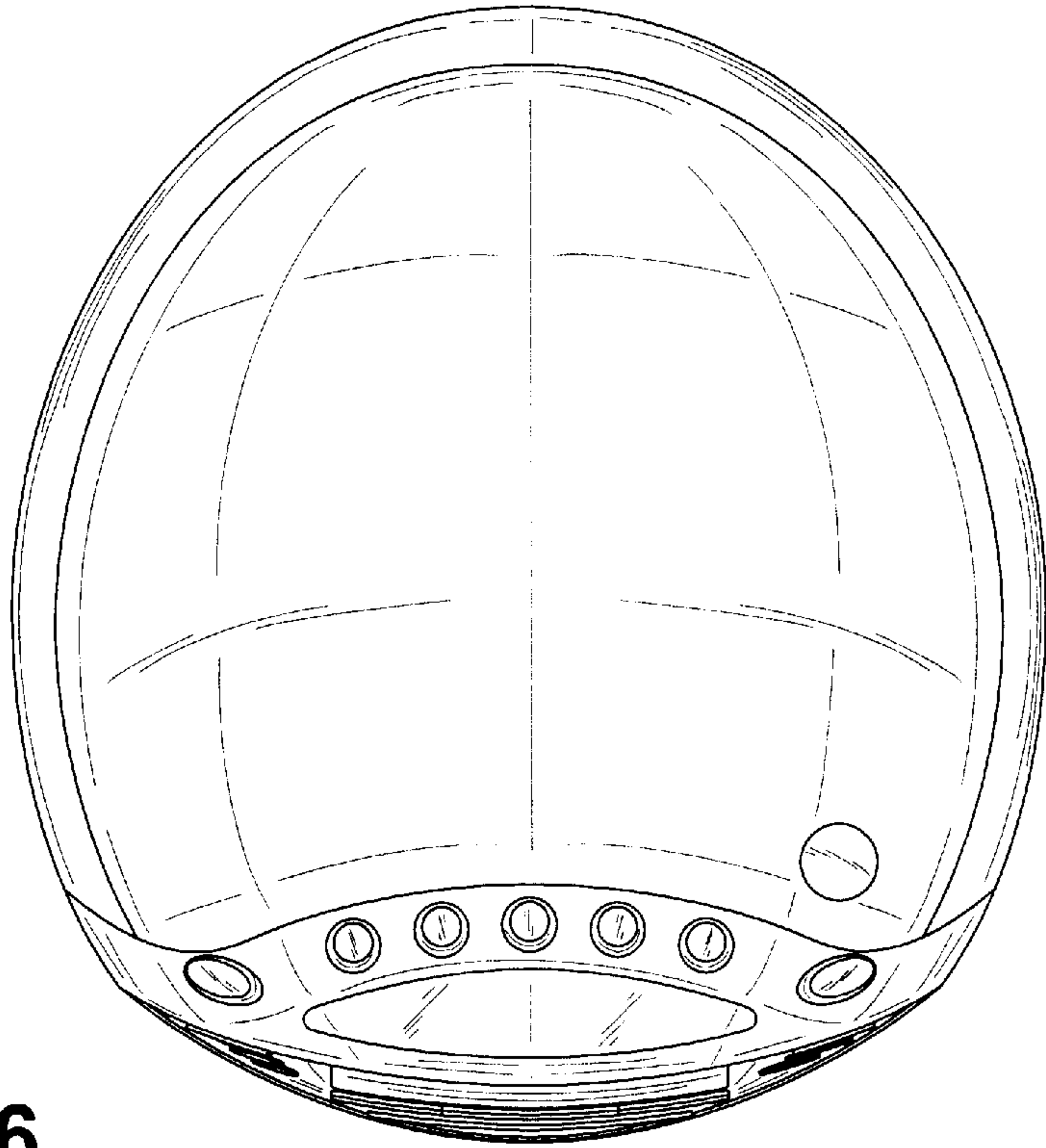


Fig. 6

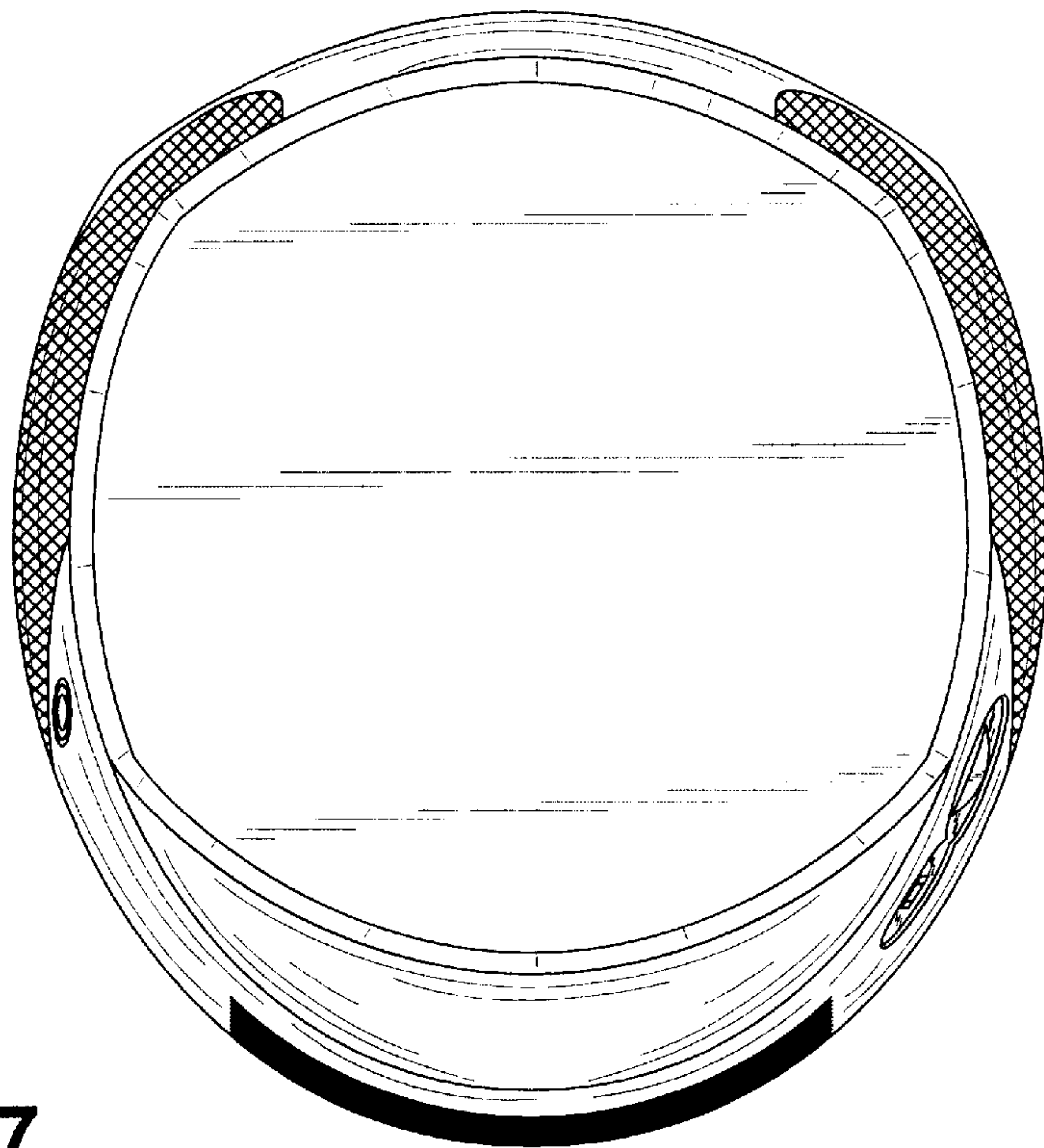


Fig. 7