



US00D475361S

(12) **United States Design Patent**
Yoneda et al.

(10) **Patent No.:** **US D475,361 S**

(45) **Date of Patent:** **** Jun. 3, 2003**

(54) **COMBINED DISC PLAYER WITH RADIO RECEIVER**

(75) Inventors: **Naofumi Yoneda**, Tokyo (JP); **Shuji Ogata**, Tokyo (JP)

(73) Assignee: **Sony Corporation**, Tokyo (JP)

(**) Term: **14 Years**

(21) Appl. No.: **29/159,645**

(22) Filed: **Apr. 26, 2002**

(51) **LOC (7) Cl.** **14-01**

(52) **U.S. Cl.** **D14/168**

(58) **Field of Search** D10/1-2, 15; D14/135-136, D14/156, 162, 167-168, 170-171, 188, 193-198, 217; 312/7.1; 455/90, 100, 128, 344, 347, 350-351

(56) **References Cited**

U.S. PATENT DOCUMENTS

D349,287 S * 8/1994 Hokazono D14/168

D378,590 S * 3/1997 Zeitman D14/165

D410,649 S * 6/1999 Kobayashi D14/163

D451,487 S * 12/2001 Ng D14/156

D451,492 S * 12/2001 Stuntz et al. D14/168

* cited by examiner

Primary Examiner—Nanda Bondade

(74) *Attorney, Agent, or Firm*—Rader, Fishman & Grauer PLLC

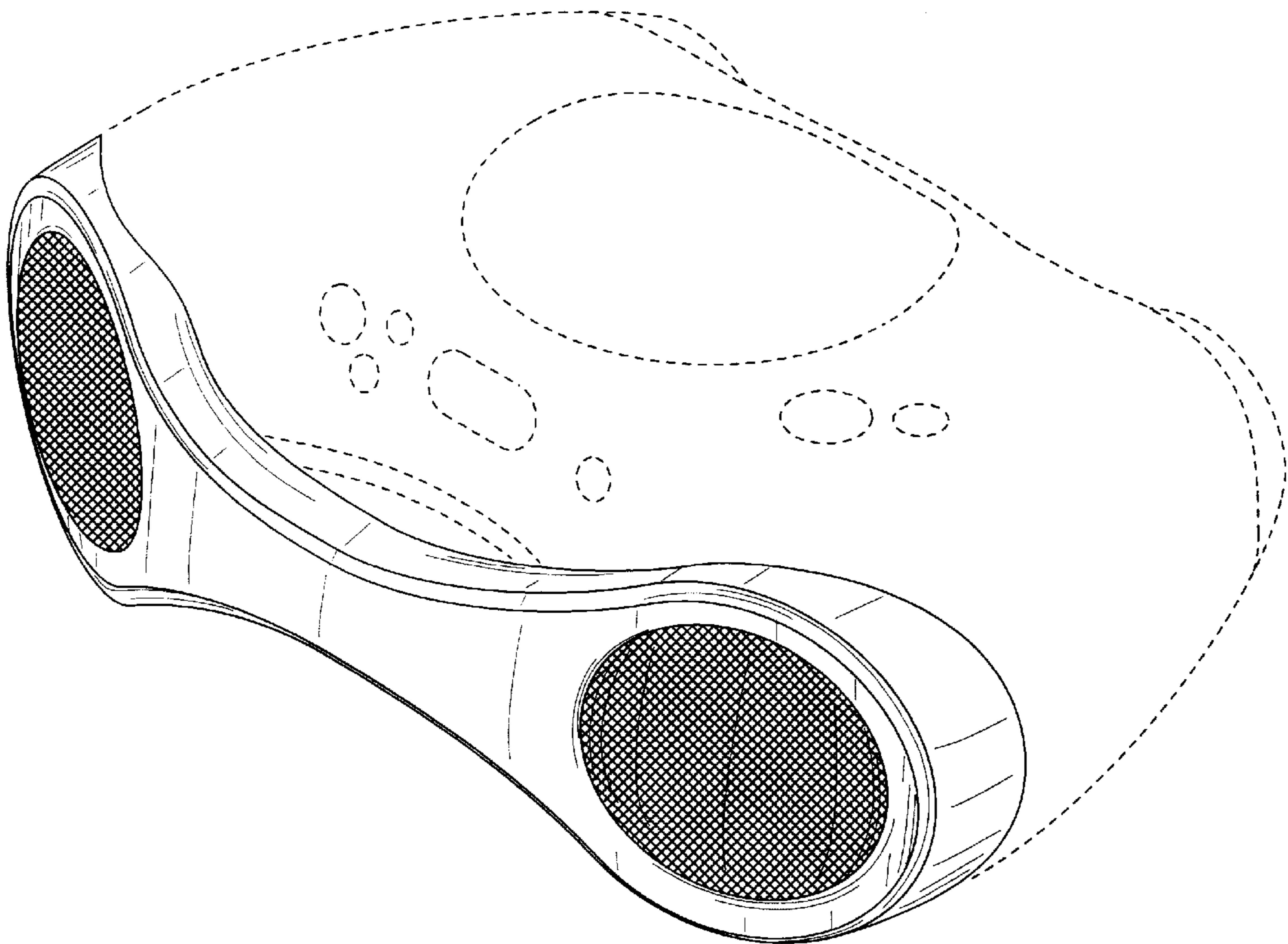
(57) **CLAIM**

The ornamental design for a combined disc player with radio receiver, as shown and described.

DESCRIPTION

FIG. 1 is a perspective view of a combined disc player with radio receiver showing our new design; FIG. 2 is a front elevational view thereof; FIG. 3 is a left side elevational view thereof; FIG. 4 is a right side elevational view thereof; FIG. 5 is a top plan view thereof; and, FIG. 6 is a bottom plan view thereof.

1 Claim, 4 Drawing Sheets



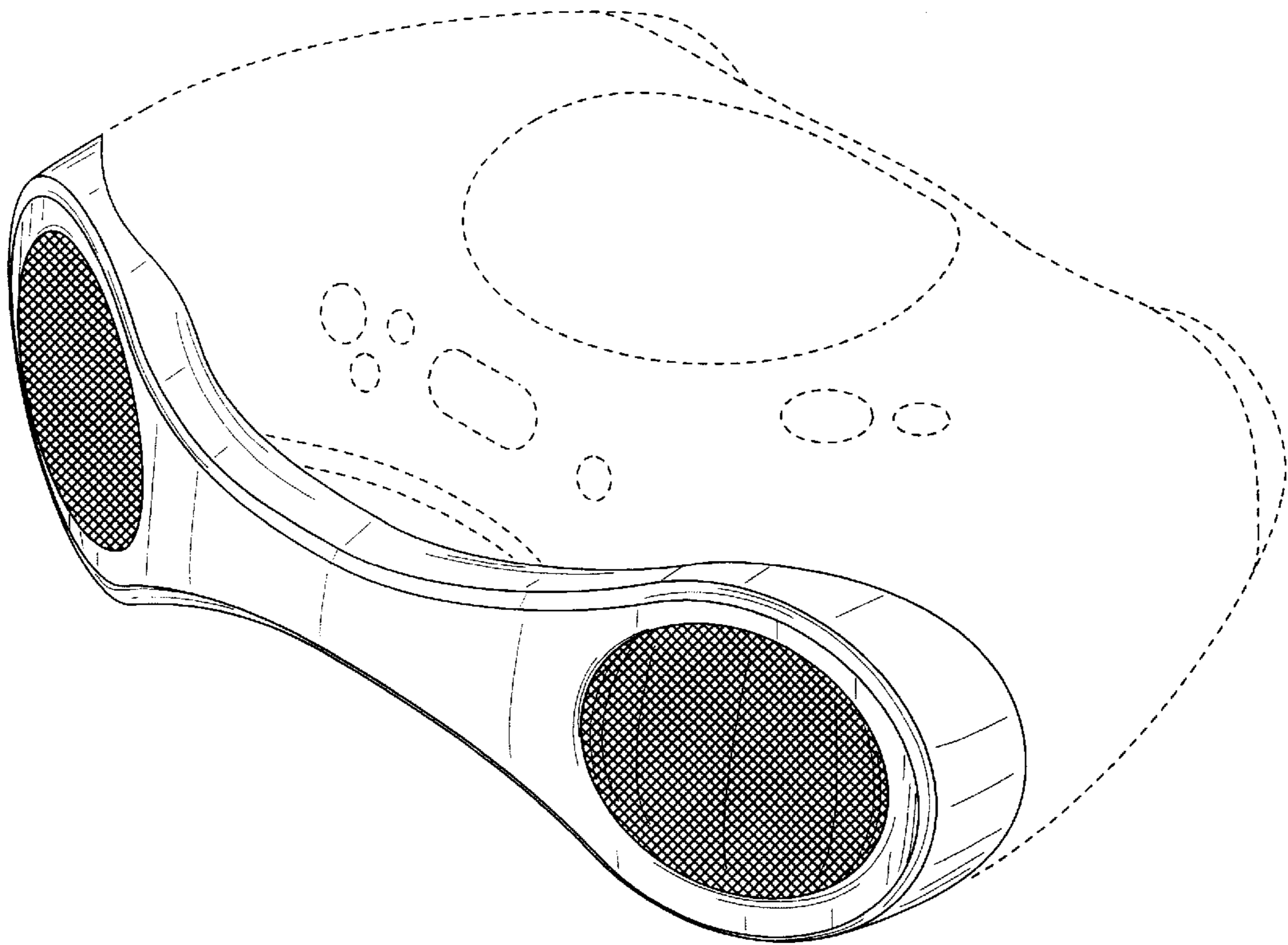


Fig. 1

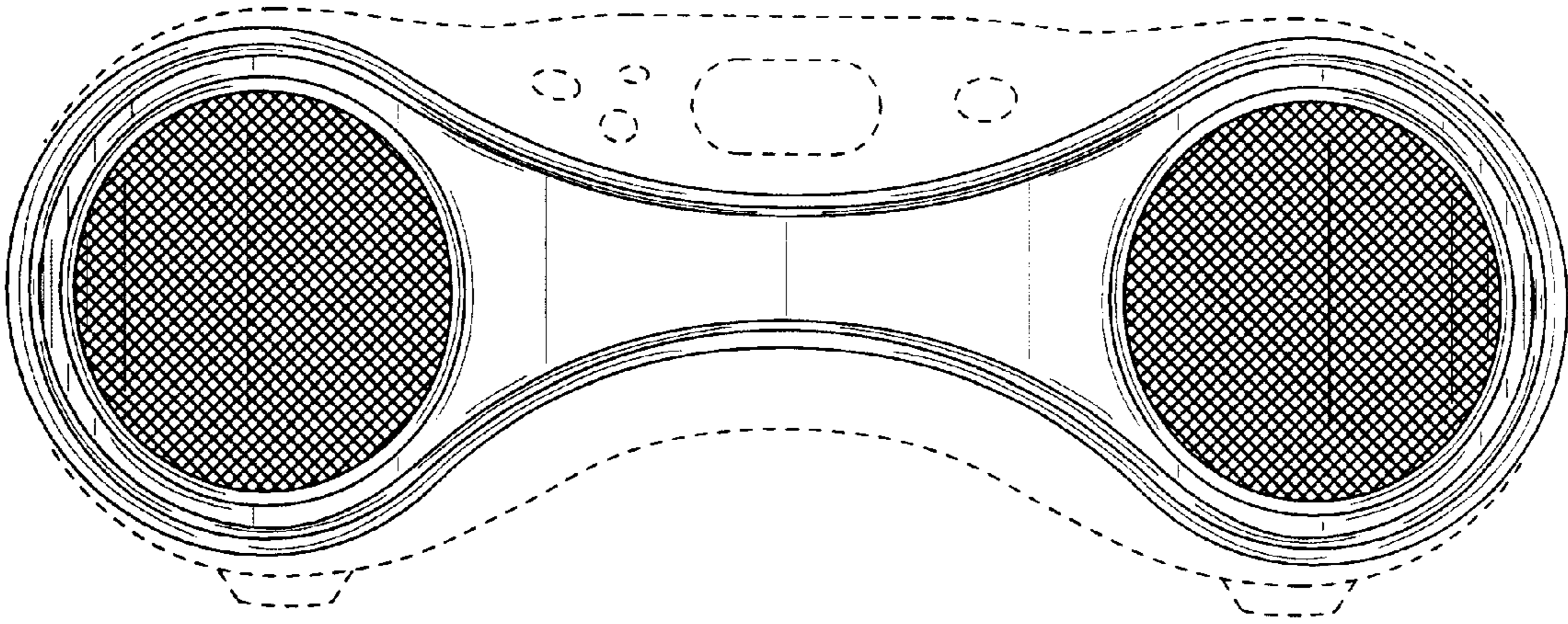


Fig. 2

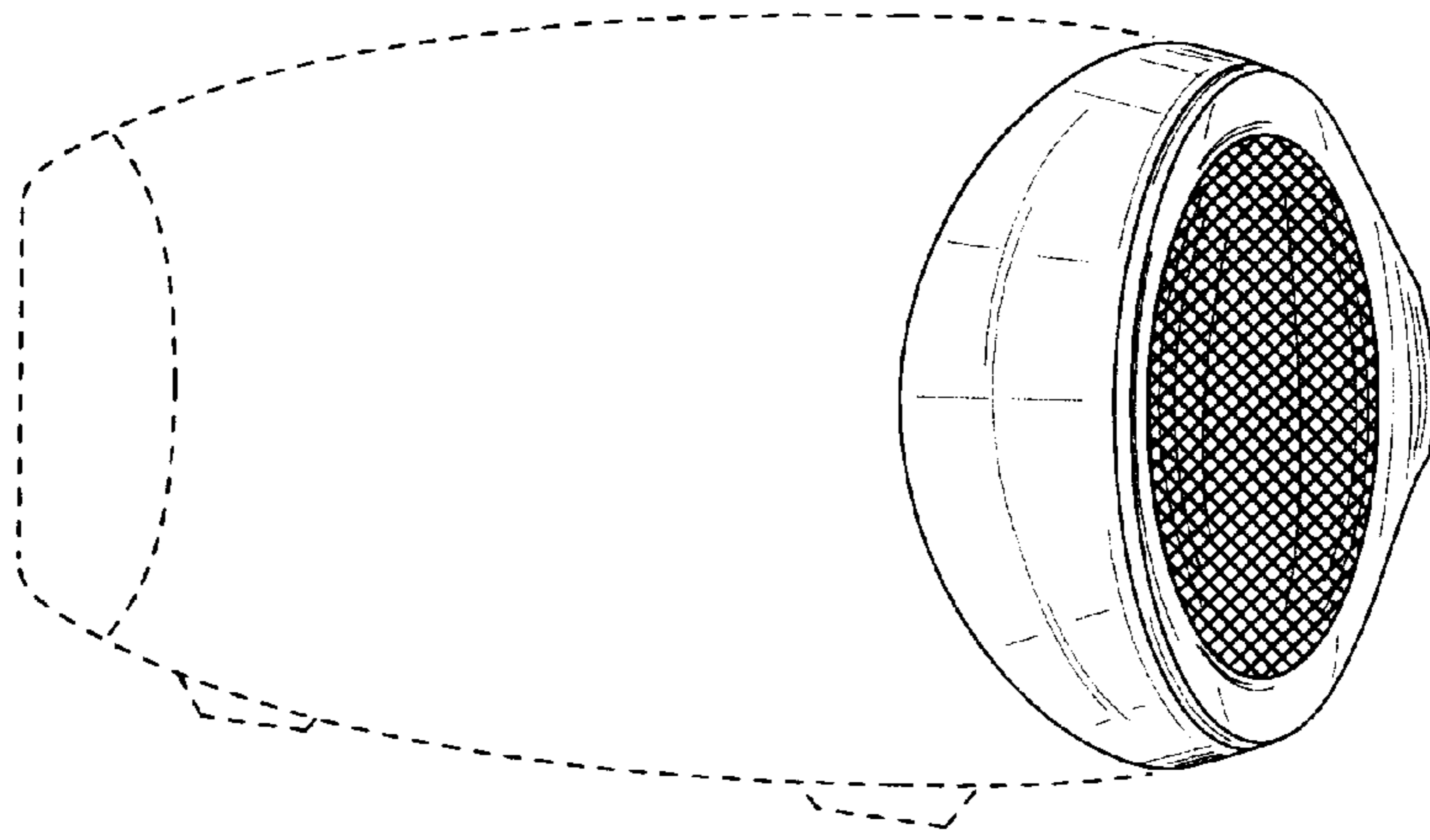


Fig. 3

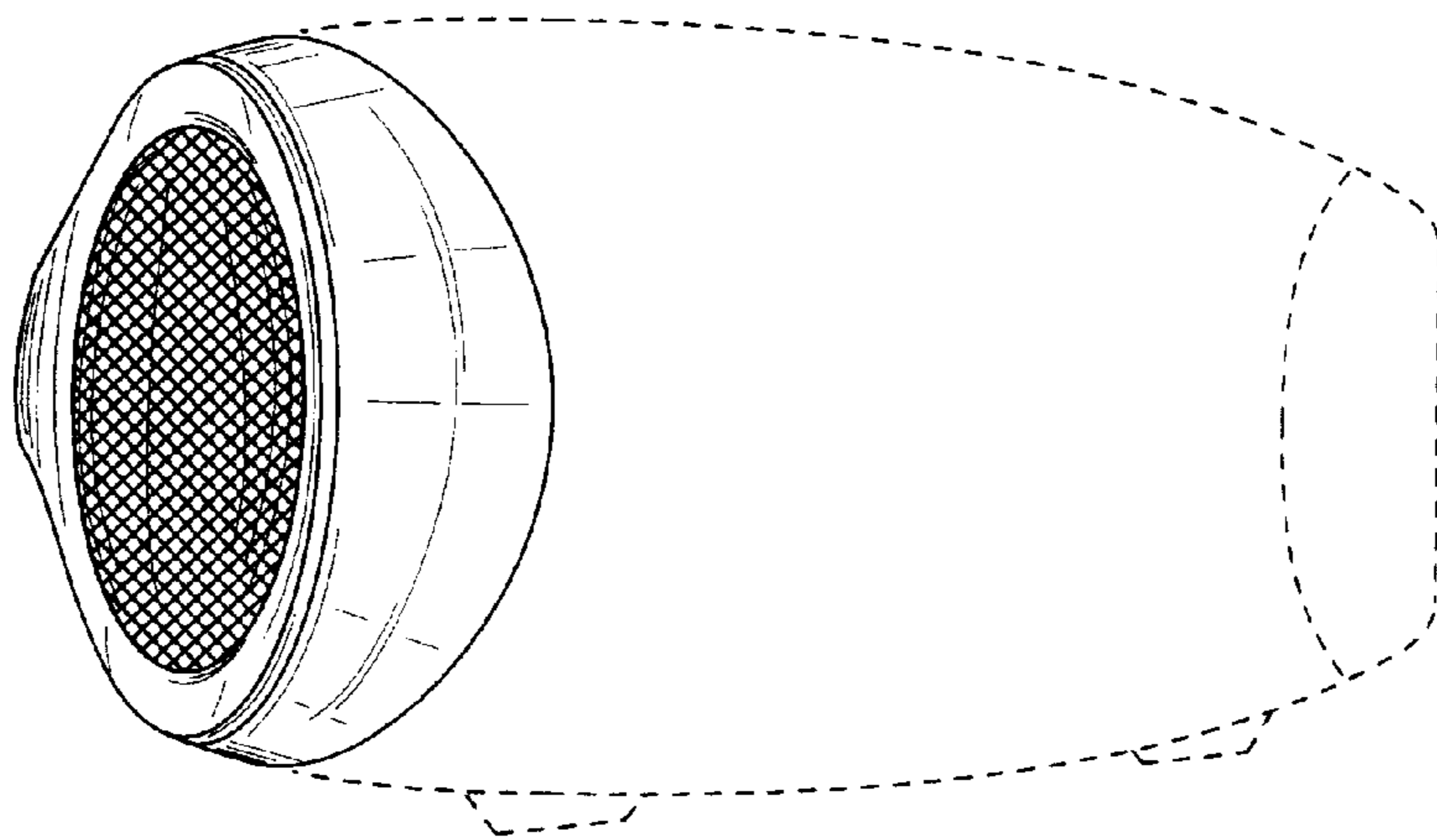


Fig. 4

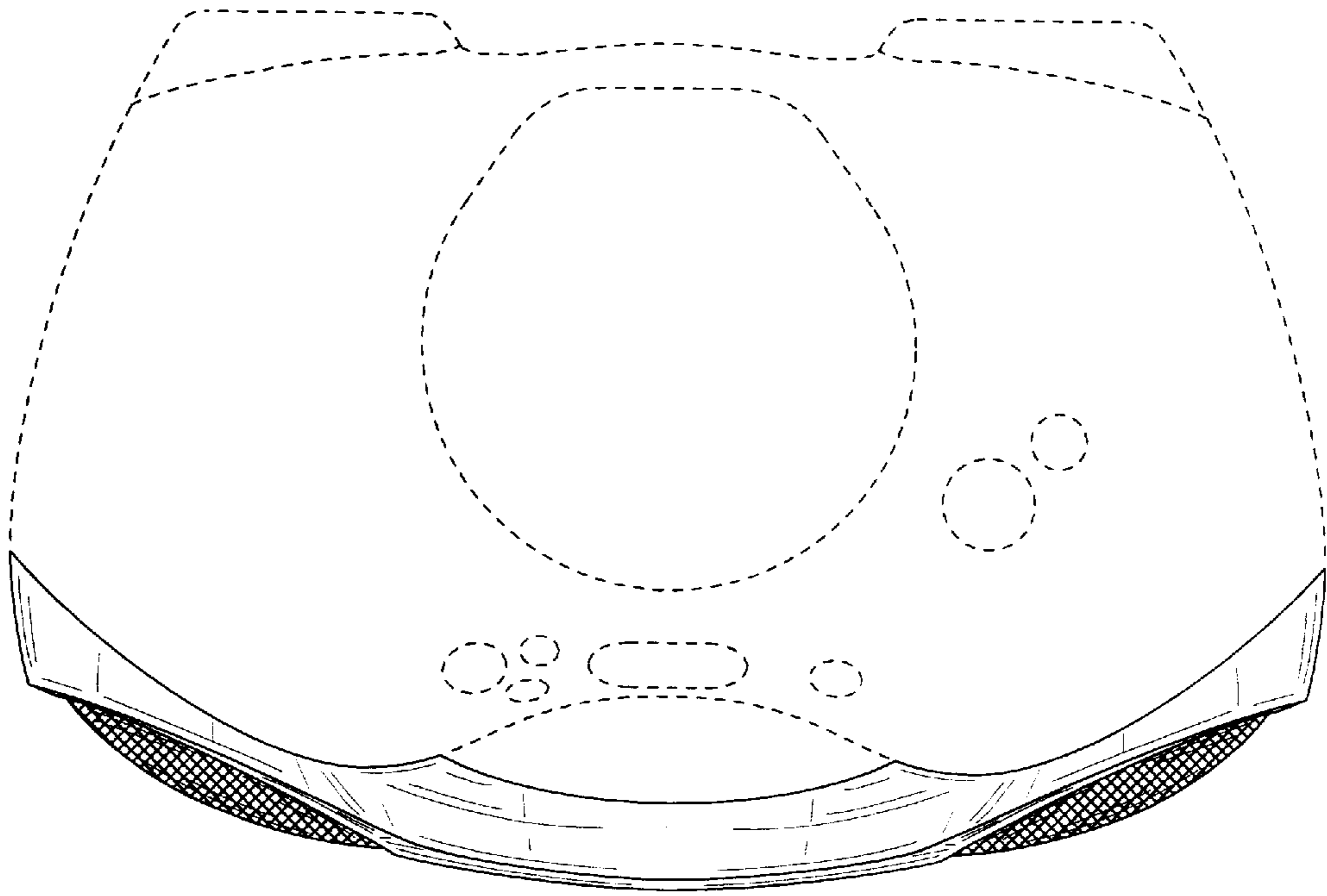


Fig. 5

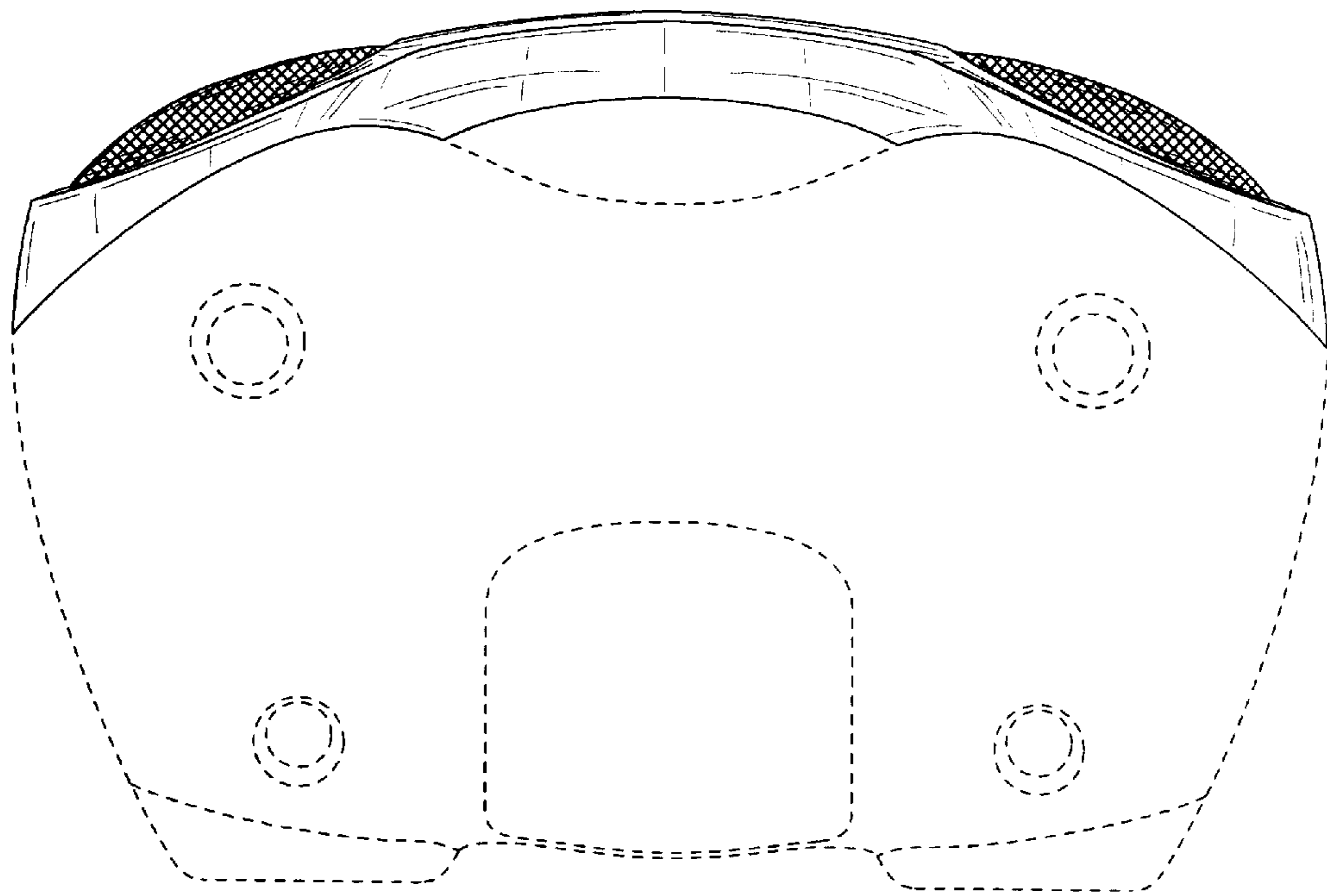


Fig. 6