



US00D475360S

(12) **United States Design Patent**  
**Yoneda et al.**

(10) **Patent No.:** **US D475,360 S**

(45) **Date of Patent:** **\*\* Jun. 3, 2003**

(54) **COMBINED DISC PLAYER WITH RADIO RECEIVER**

D410,649 S \* 6/1999 Kobayashi ..... D14/163  
D451,487 S \* 12/2001 Ng ..... D14/156  
D451,492 S \* 12/2001 Stuntz et al. .... D14/168

(75) Inventors: **Naofumi Yoneda**, Tokyo (JP); **Shuji Ogata**, Tokyo (JP)

\* cited by examiner

(73) Assignee: **Sony Corporation**, Tokyo (JP)

*Primary Examiner*—Nanda Bondade  
(74) *Attorney, Agent, or Firm*—Rader, Fishman & Grauer PLLC

(\*\*) Term: **14 Years**

(21) Appl. No.: **29/159,594**

(57) **CLAIM**

(22) Filed: **Apr. 25, 2002**

The ornamental design for a combined disc player with radio receiver, as shown and described.

(51) **LOC (7) Cl.** ..... **14-01**

**DESCRIPTION**

(52) **U.S. Cl.** ..... **D14/168**

(58) **Field of Search** ..... D10/1-2, 15; D14/135-136, D14/156, 162, 167-168, 170-171, 188, 193-198; 312/7.1; 455/90, 100, 128, 344, 347, 350-351

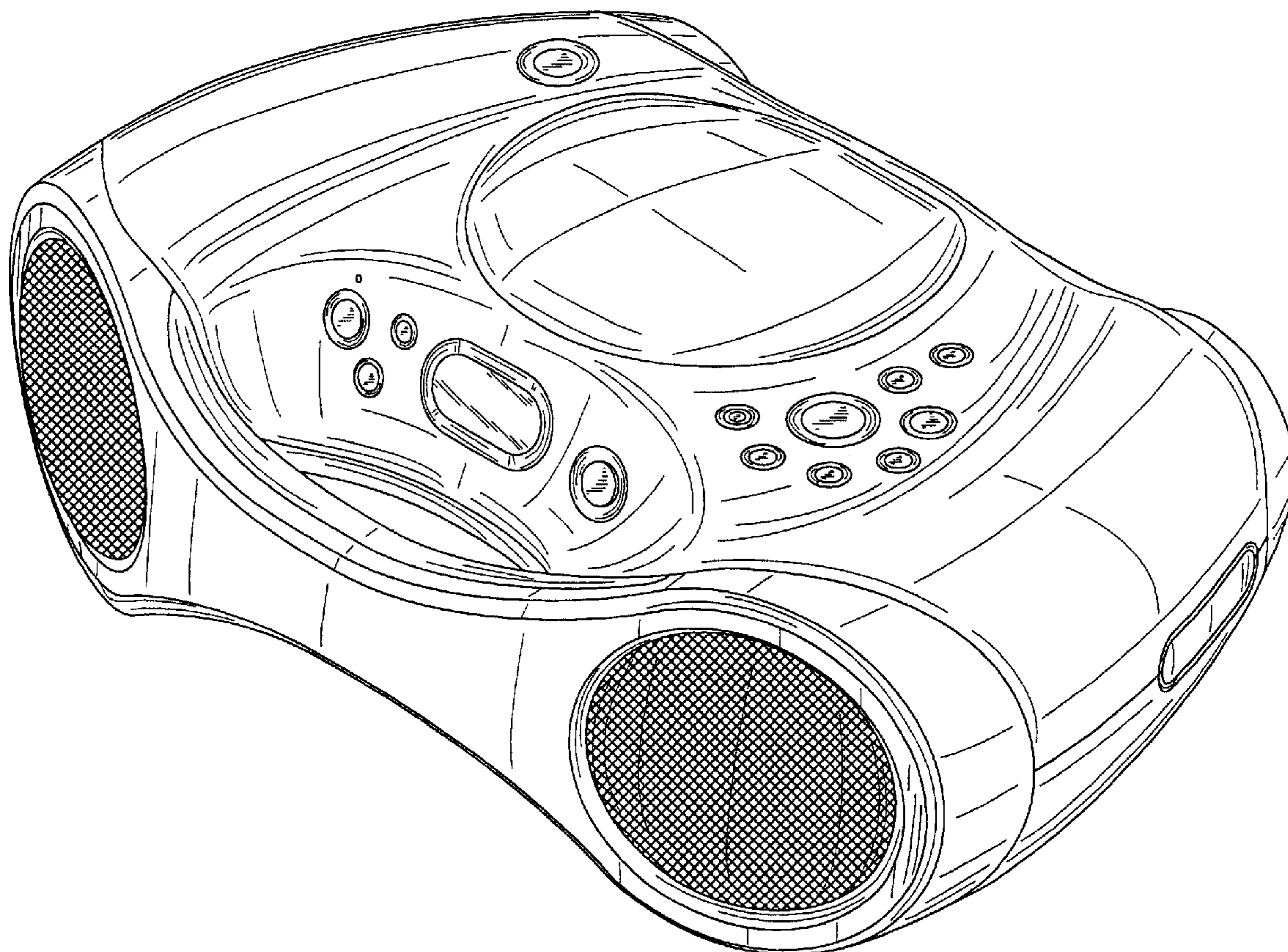
FIG. 1 is a perspective view of a combined disc player with radio receiver showing our new design; FIG. 2 is a front elevational view thereof; FIG. 3 is a rear elevational view thereof; FIG. 4 is a left side elevational view thereof; FIG. 5 is a right side elevational view thereof; FIG. 6 is a top plan view thereof; and, FIG. 7 is a bottom plan view thereof.

(56) **References Cited**

**U.S. PATENT DOCUMENTS**

D349,287 S \* 8/1994 Hokazono ..... D14/168  
D378,590 S \* 3/1997 Zeitman ..... D14/165

**1 Claim, 4 Drawing Sheets**



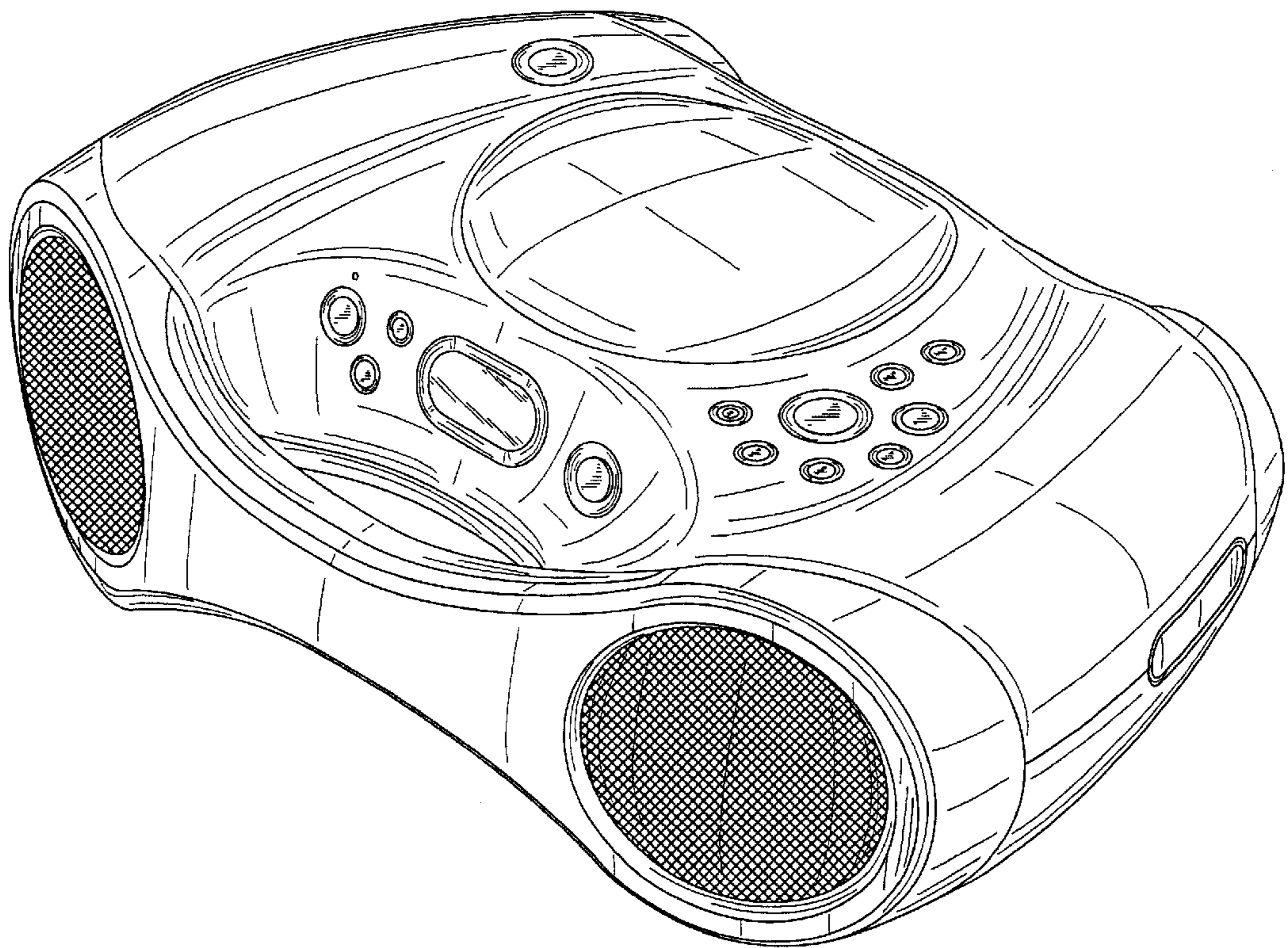
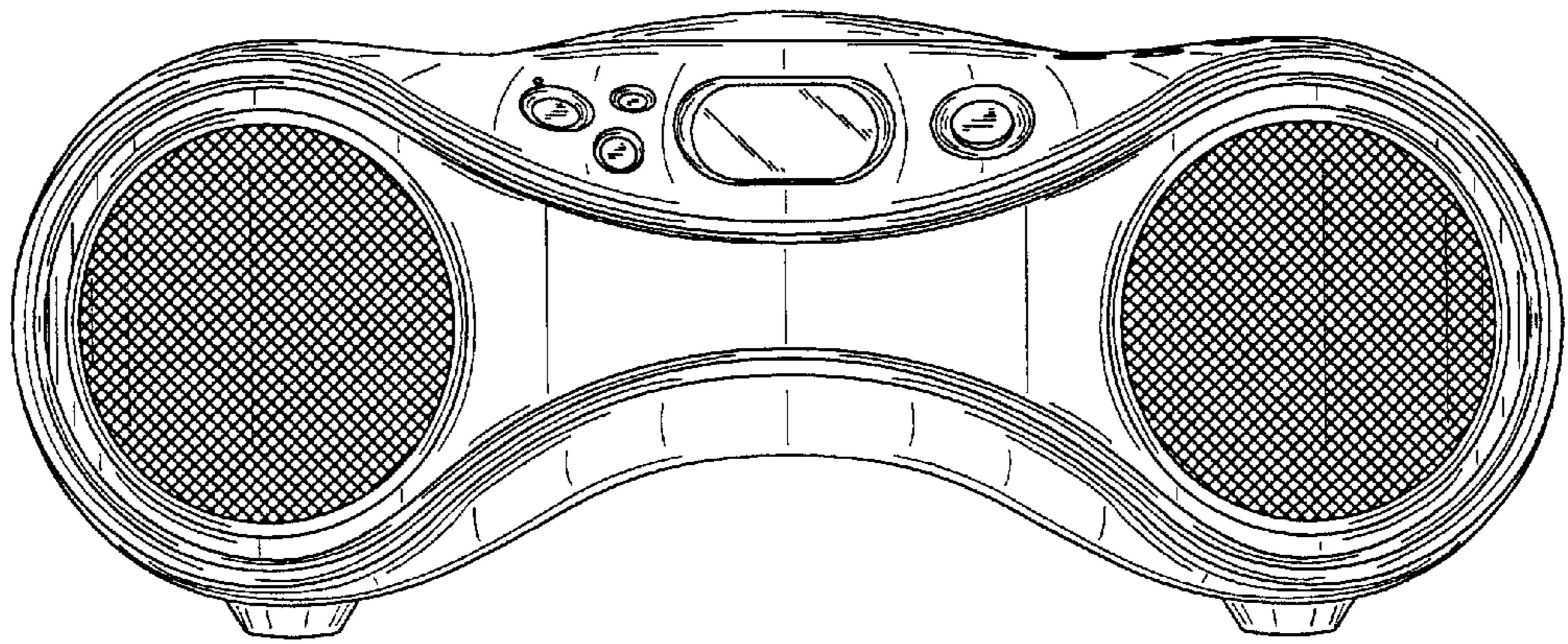
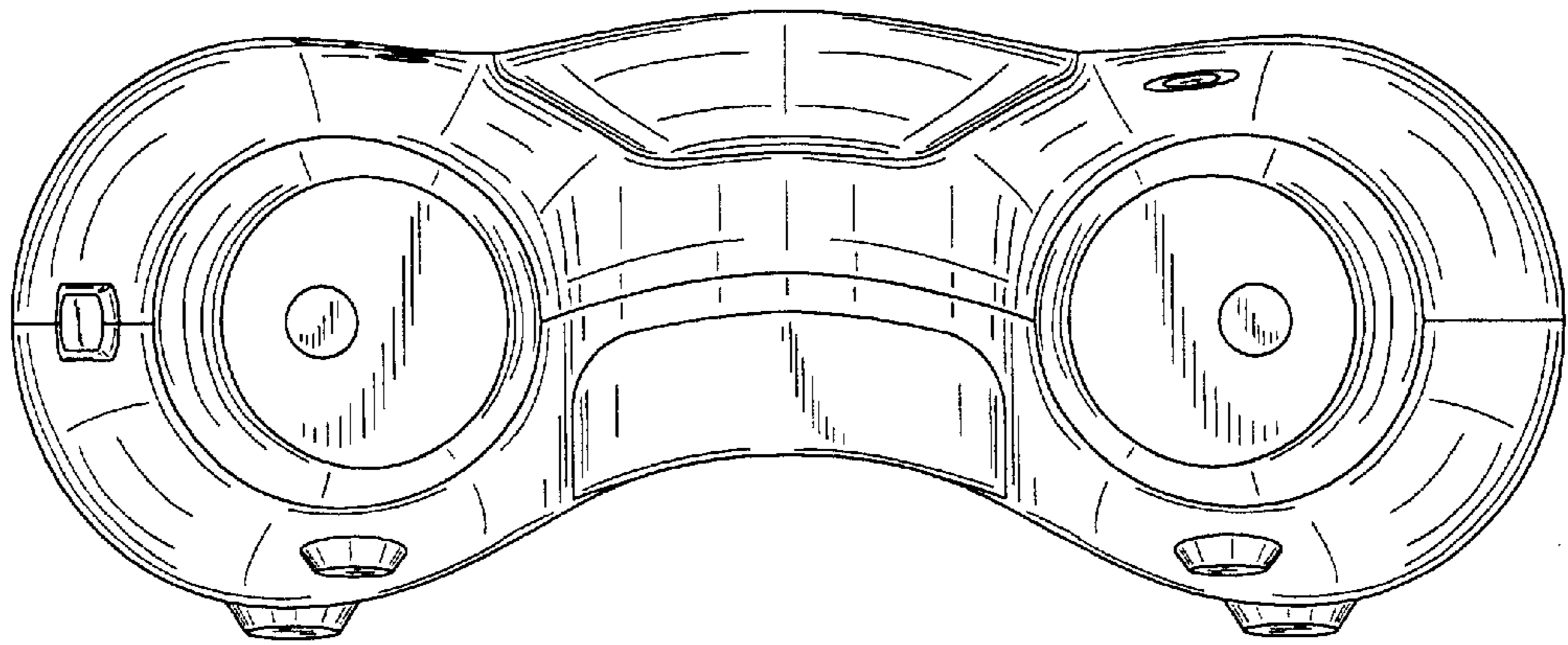


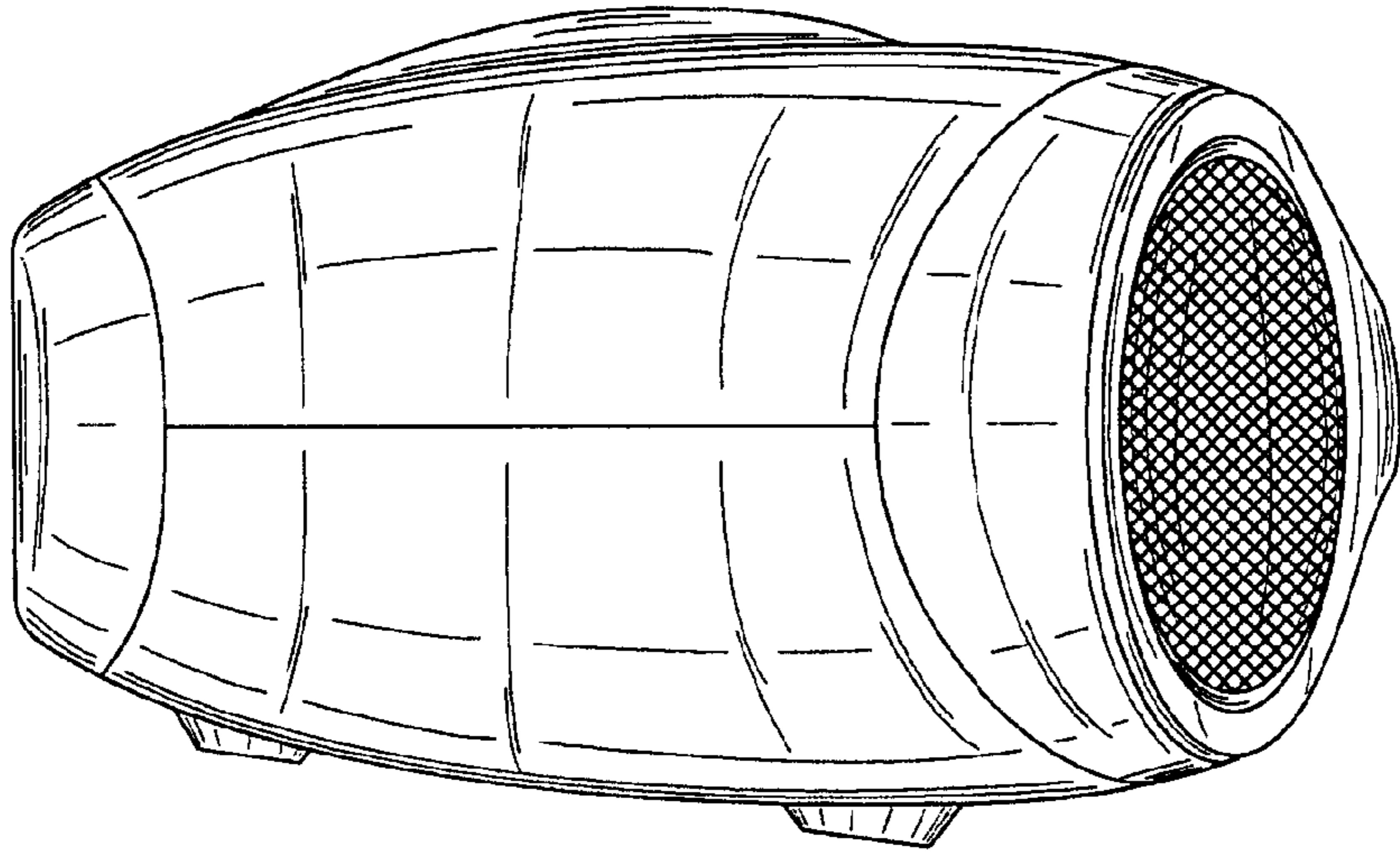
Fig. 1



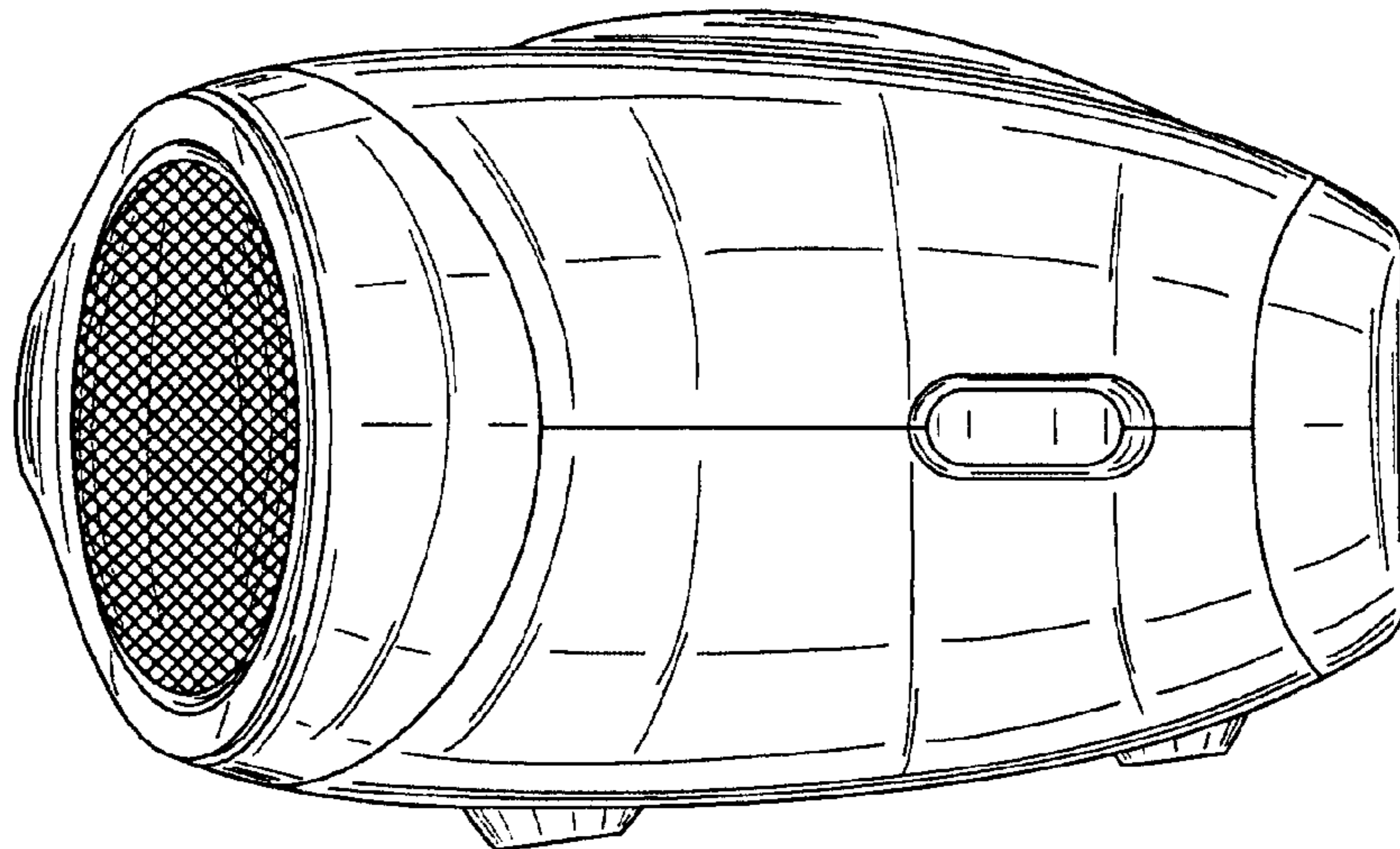
**Fig. 2**



**Fig. 3**



**Fig. 4**



**Fig. 5**

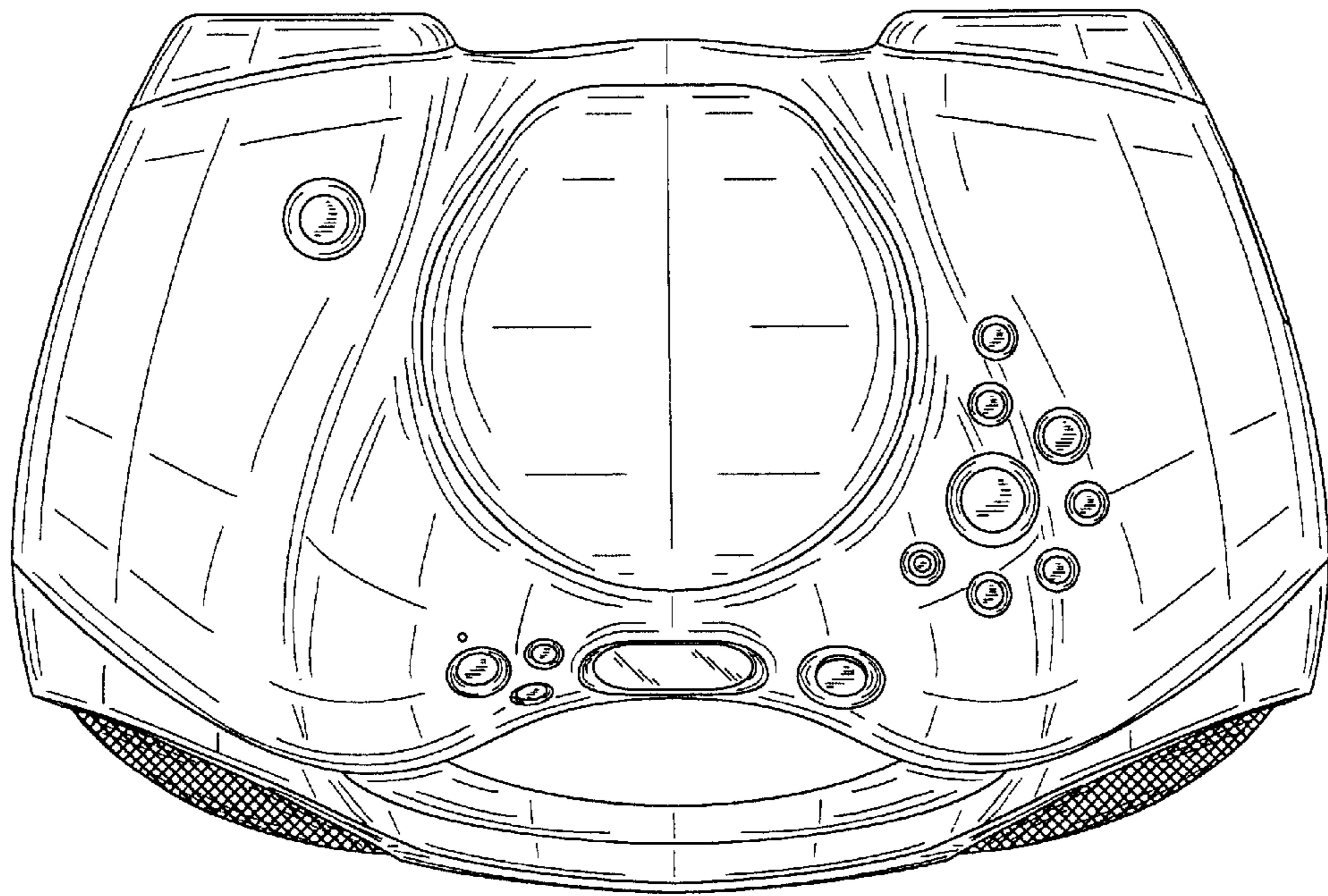


Fig. 6

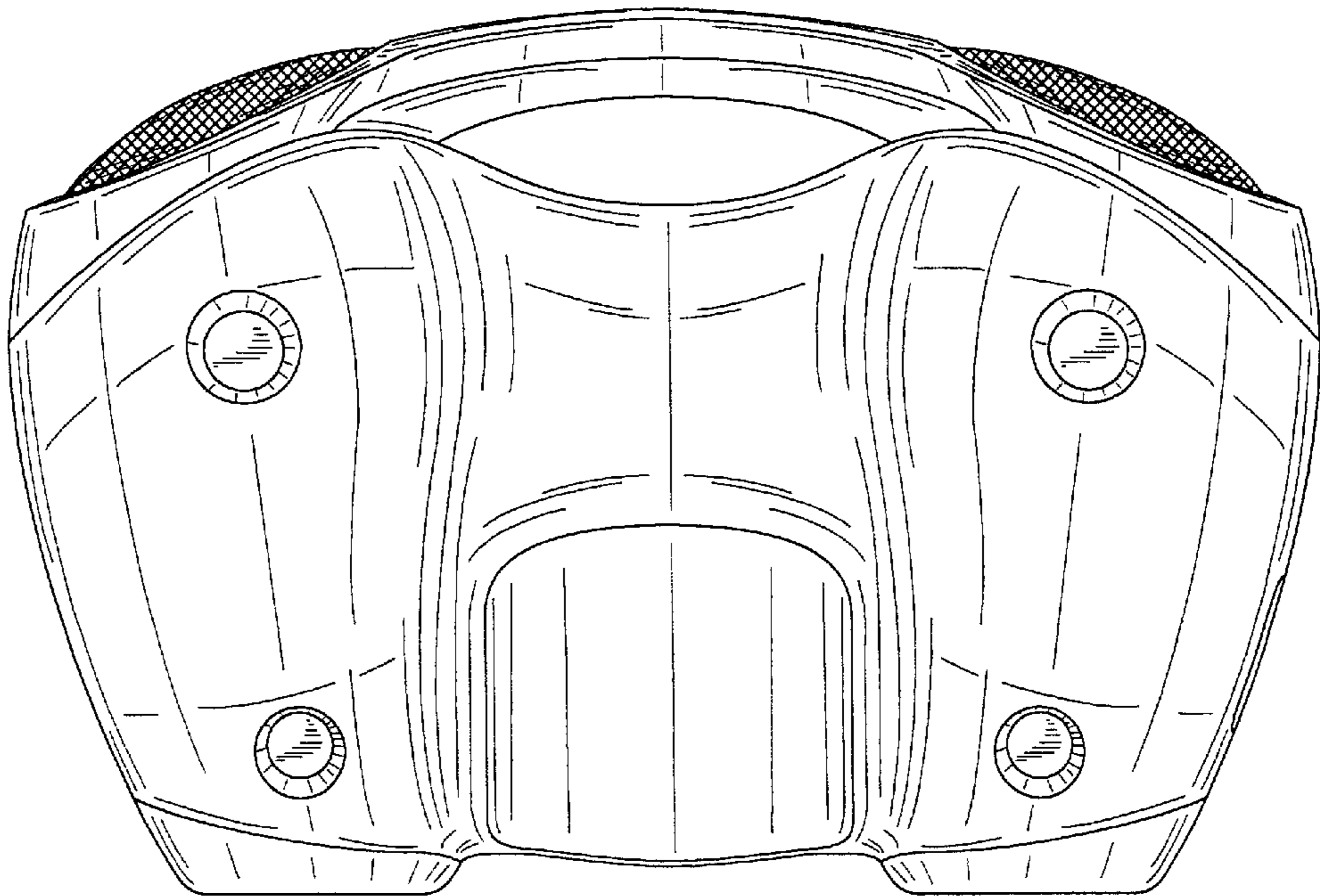


Fig. 7