



US00D475357S

(12) **United States Design Patent**
Tejima

(10) **Patent No.:** **US D475,357 S**

(45) **Date of Patent:** **** Jun. 3, 2003**

(54) **OPTICAL DISC PLAYER**

(75) Inventor: **Keisuke Tejima**, Tokyo (JP)

(73) Assignee: **Sony Corporation**, Tokyo (JP)

(**) Term: **14 Years**

(21) Appl. No.: **29/161,594**

(22) Filed: **Jun. 4, 2002**

(51) **LOC (7) Cl.** **14-01**

(52) **U.S. Cl.** **D14/135**

(58) **Field of Search** D14/135-136,
D14/156-157, 167-168, 188, 193-198,
257-258; 369/75.1, 75.2, 77.1, 77.2; 455/344,
347, 350-351

(56) **References Cited**

U.S. PATENT DOCUMENTS

D311,915 S	*	11/1990	Hong	D14/135
D323,498 S	*	1/1992	Bang	D14/135
D414,769 S		10/1999	Shintani et al.		
D416,891 S		11/1999	Hyogo et al.		
D420,661 S		2/2000	Shintani et al.		
D423,008 S	*	4/2000	Shintani	D14/168
D432,112 S		10/2000	Hisatsune		
D439,228 S		3/2001	Tsuge		
D443,868 S	*	6/2001	Ito et al.	D14/168

OTHER PUBLICATIONS

Web Page "Pioneer DVD Recorder, DVR-3000", <http://www.pioneer.co.jp/dvld/dvr/3000/index.html>, 1 sheet, Pioneer (Mar. 2002).

Web Page "SV-DVD5J", http://www.Samsung-shop.ein-s.ne.jp/html/product_audio/sv_dvd5j/index.html, 2 sheets, Samsung Japan (Mar. 2002).

* cited by examiner

Primary Examiner—Nanda Bondade

(74) *Attorney, Agent, or Firm*—Rader, Fishman & Grauer PLLC

(57) **CLAIM**

The ornamental design for an optical disc player, as shown.

DESCRIPTION

FIG. 1 is a perspective view of an optical disc player showing my new design;

FIG. 2 is a front elevational view thereof;

FIG. 3 is a rear elevational view thereof;

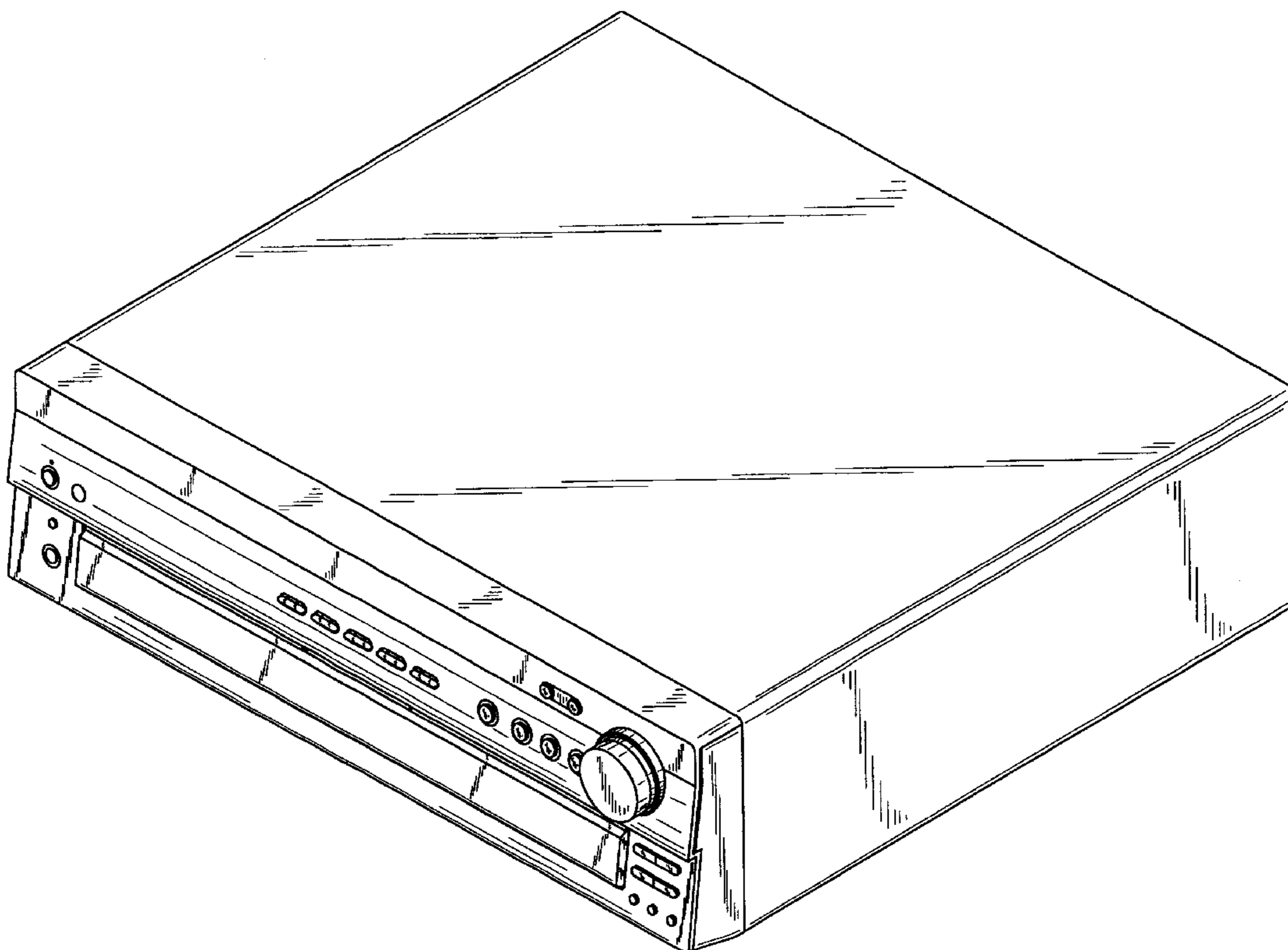
FIG. 4 is a left side elevational view thereof;

FIG. 5 is a right side elevational view thereof;

FIG. 6 is a top plan view thereof; and,

FIG. 7 is a bottom plan view thereof.

1 Claim, 5 Drawing Sheets



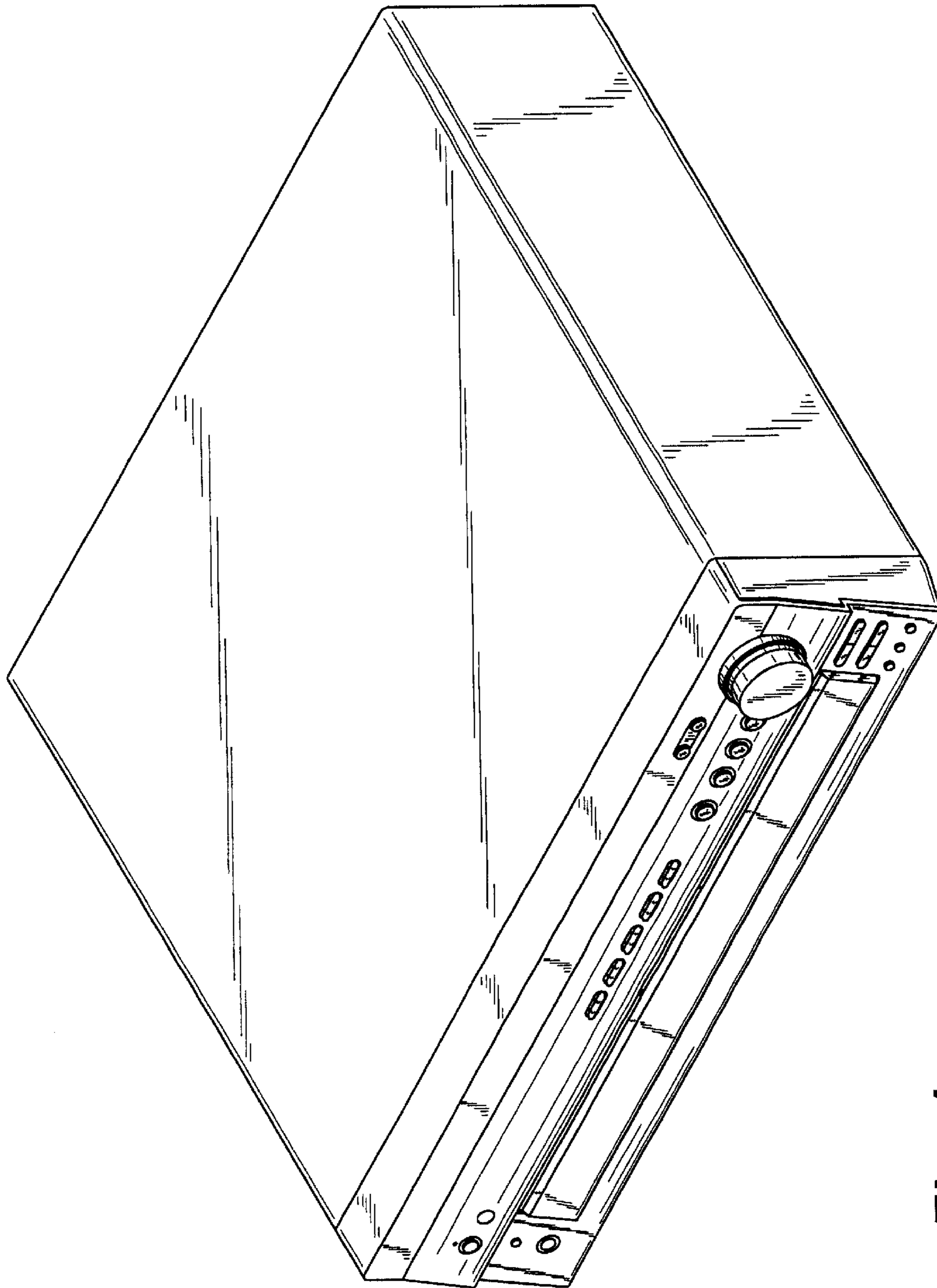


Fig. 1

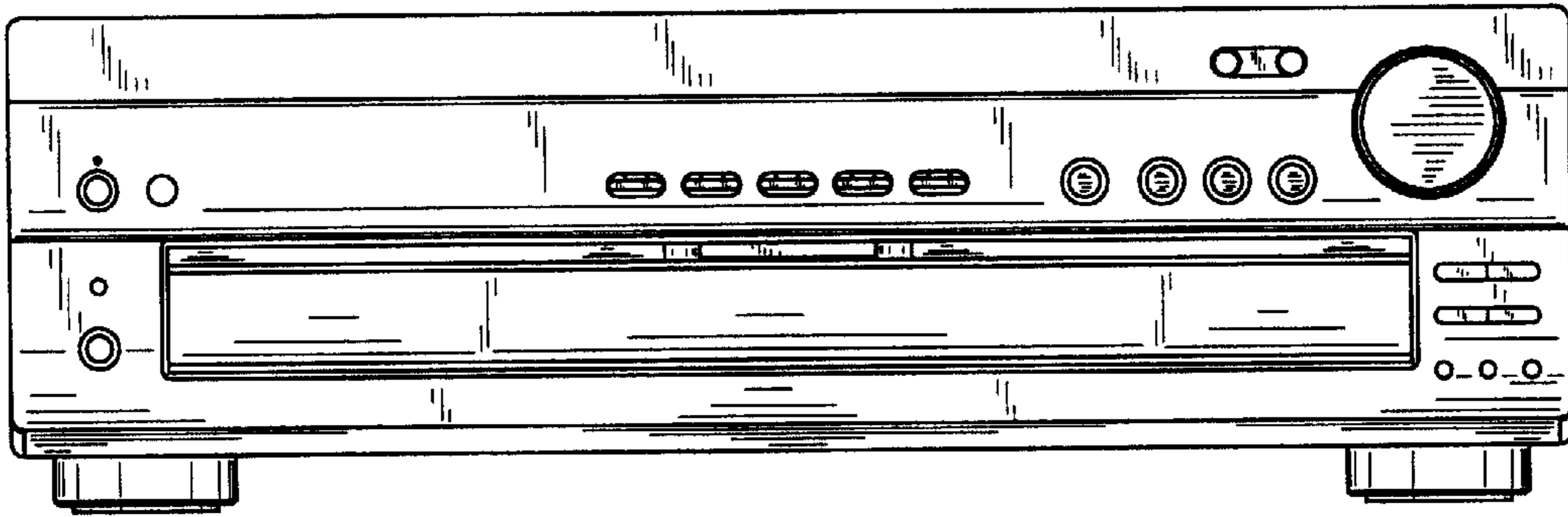


Fig. 2

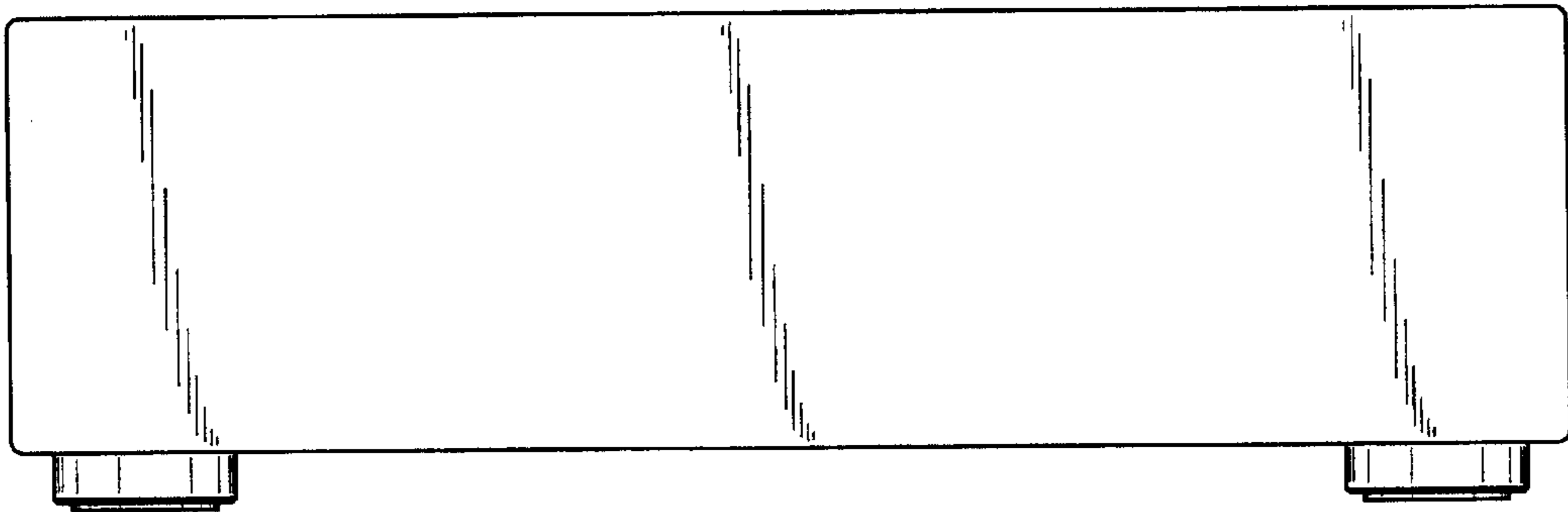


Fig. 3

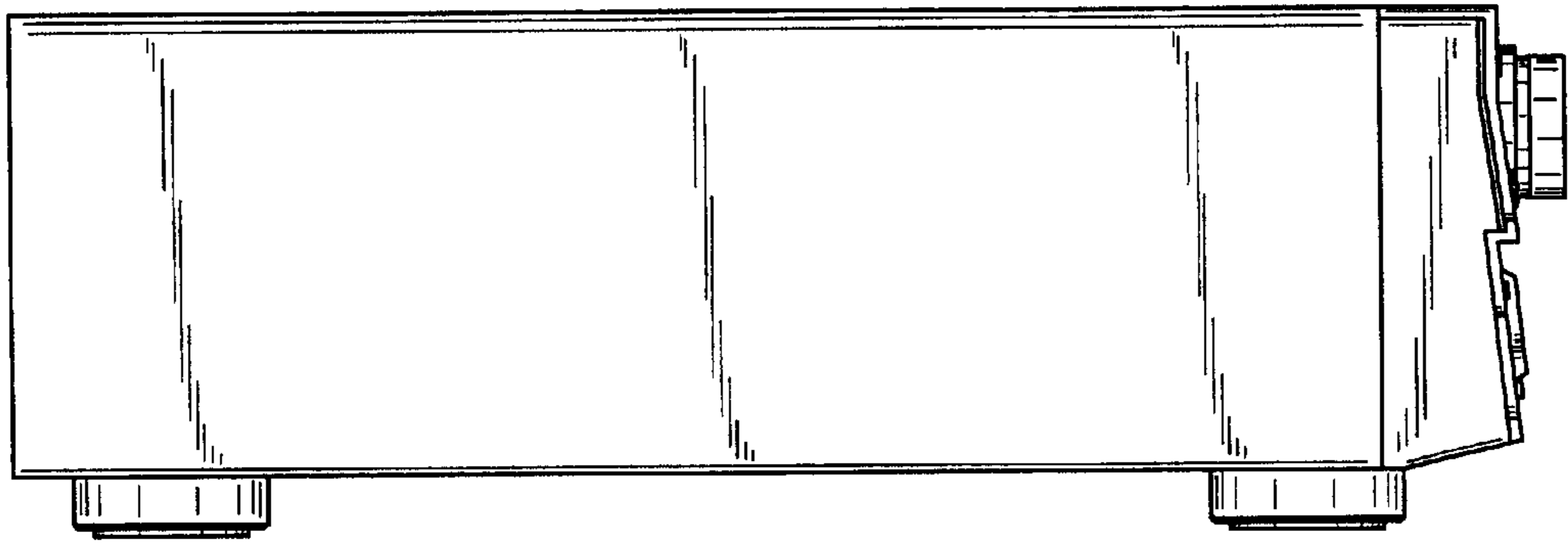


Fig. 4

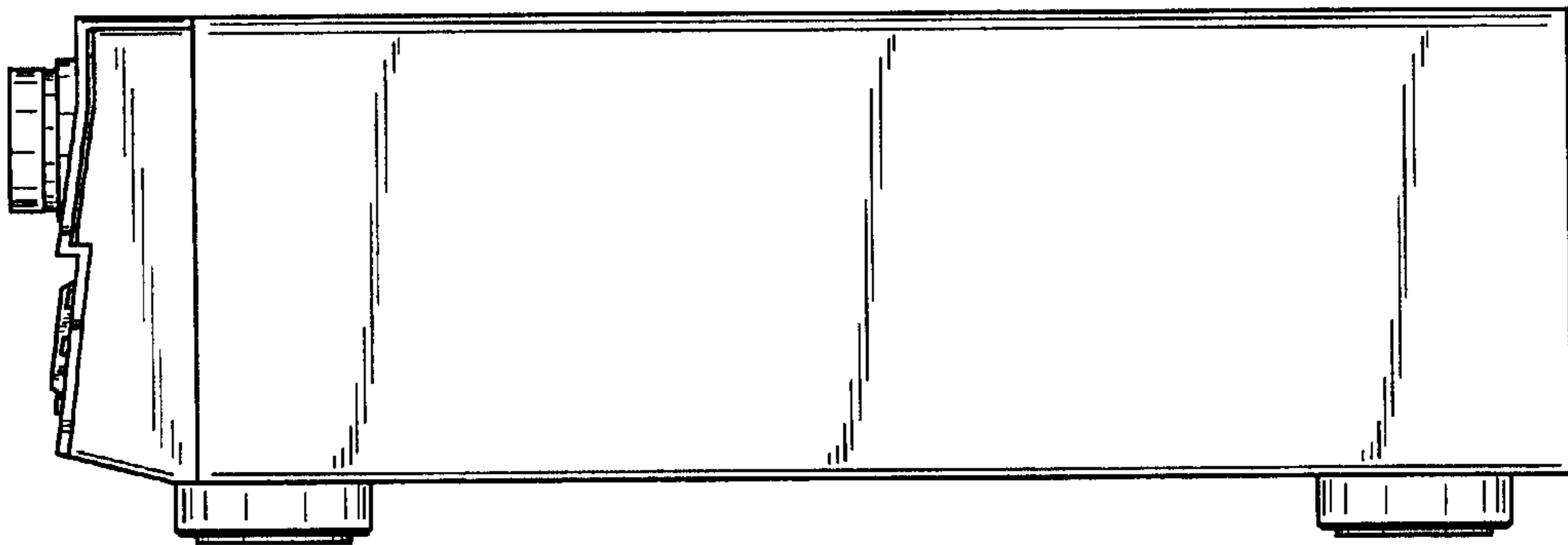


Fig. 5

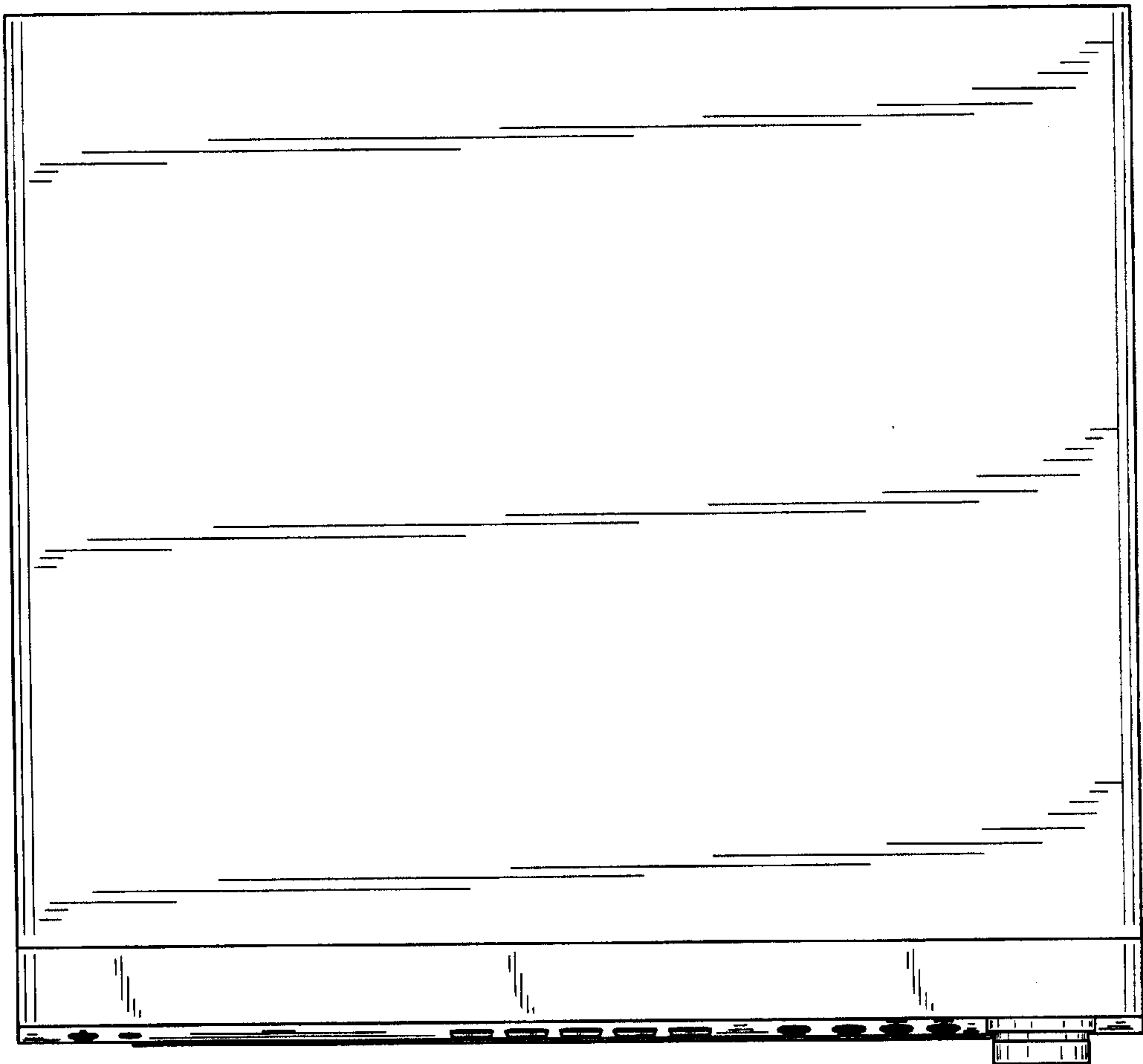
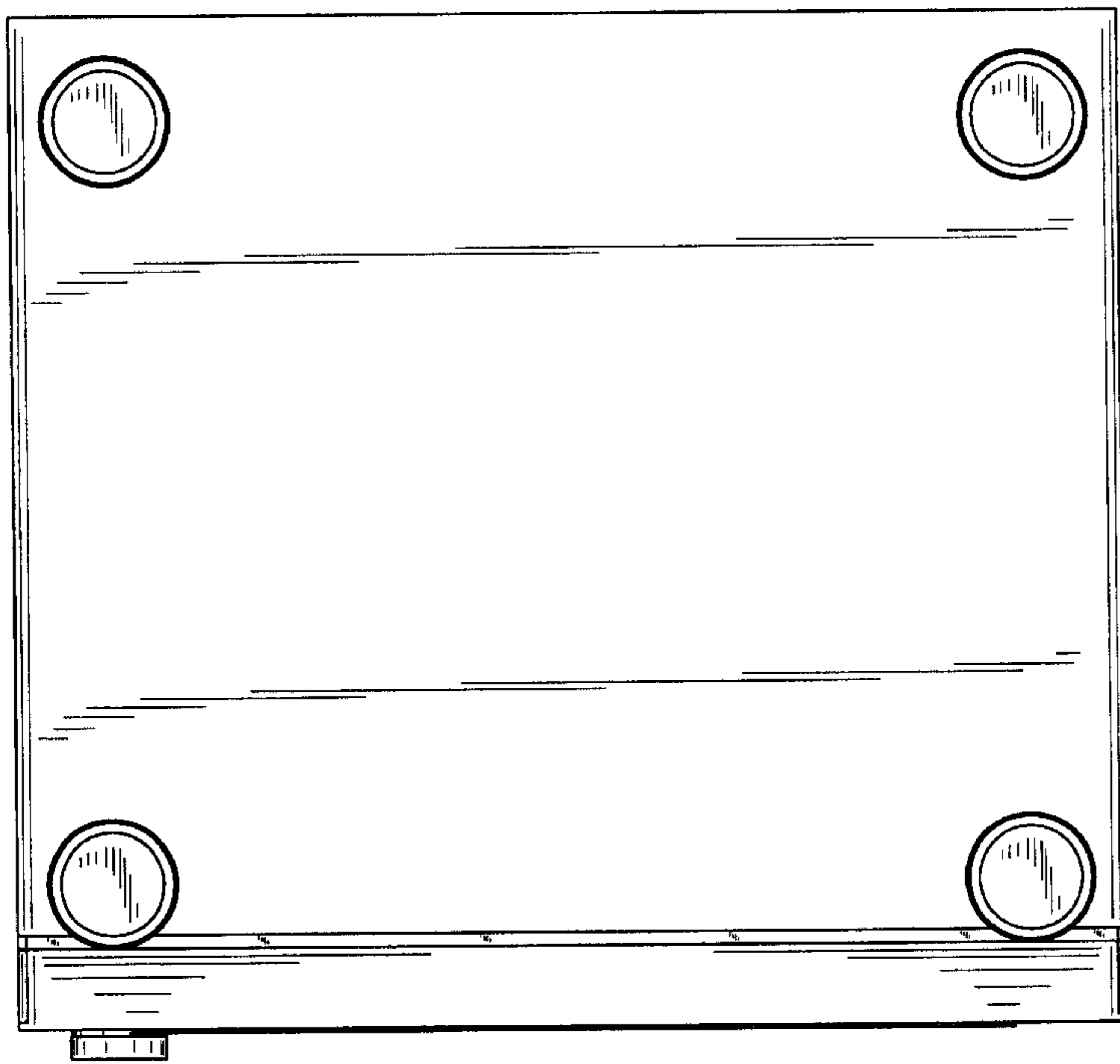


Fig. 6

Fig. 7



9/5

29363594-060402