



US00D475351S

(12) **United States Design Patent**
Brown

(10) **Patent No.:** **US D475,351 S**

(45) **Date of Patent:** **** Jun. 3, 2003**

(54) **CLIP FOR TRUNKING**

5,857,799 A * 1/1999 Blake, III 174/95

(76) Inventor: **Richard Brown**, P.O. Box 2201,
Kinton Warwickshire (GB), CV350LU

* cited by examiner

(**) Term: **14 Years**

Primary Examiner—Jennifer Rivard
(74) *Attorney, Agent, or Firm*—Thomas, Kayden,
Horstemeyer & Risley LLP

(21) Appl. No.: **29/149,259**

(57) **CLAIM**

(22) Filed: **Oct. 5, 2001**

I claim the ornamental design for a clip for trucking, as shown and described.

(51) **LOC (7) Cl.** **13-03**

(52) **U.S. Cl.** **D13/154**

(58) **Field of Search** D3/154, 155; 174/95;
24/DIG. 28; 439/575

DESCRIPTION

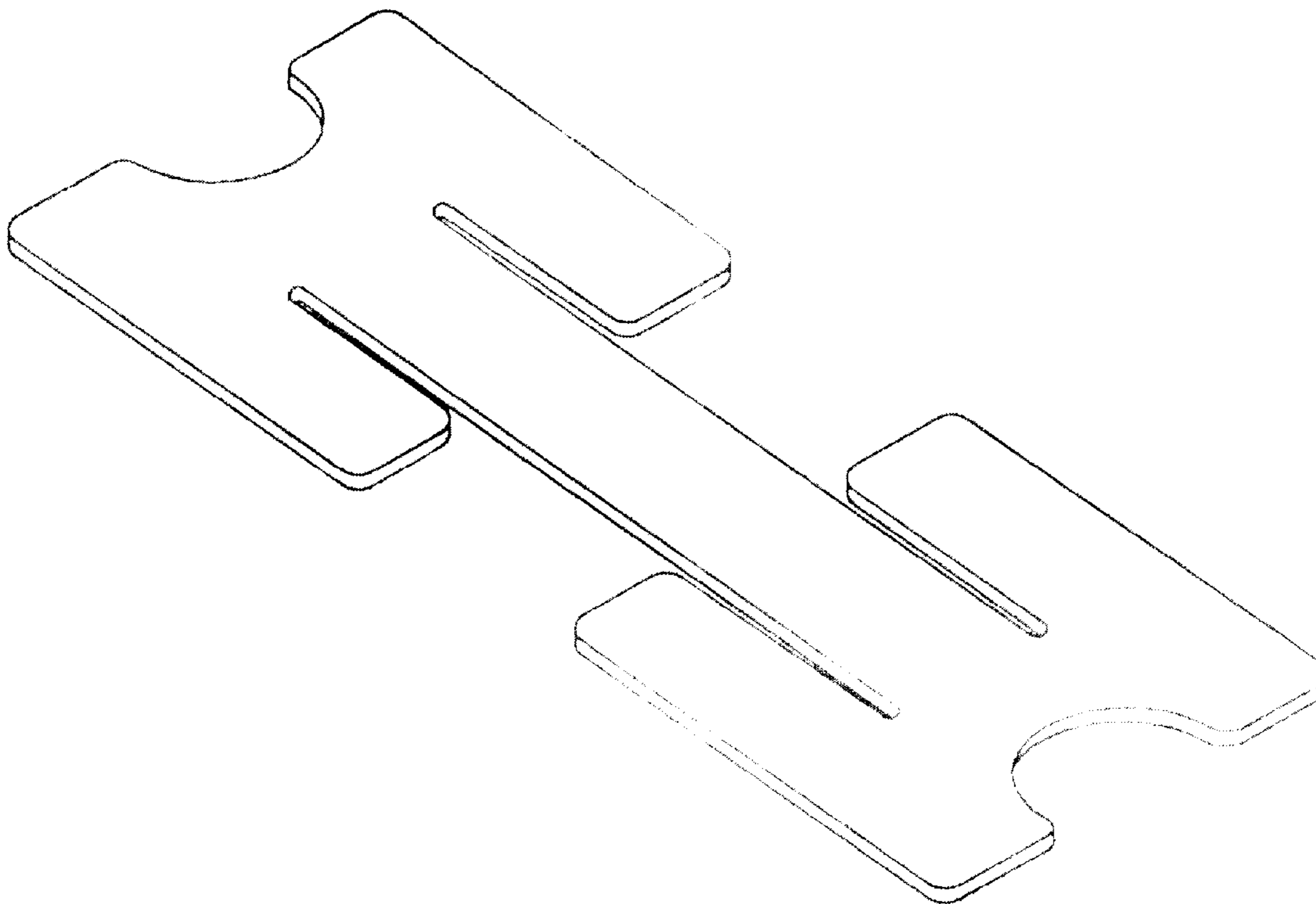
(56) **References Cited**

U.S. PATENT DOCUMENTS

1,389,304 A * 8/1921 Holmes 24/DIG. 28
3,798,713 A * 3/1974 Lakos 24/DIG. 28

FIG. 1 Top Plan View
FIG. 2 Side Elevation
FIG. 3 End Elevation; and,
FIG. 4 Perspective View from above on one side.

1 Claim, 2 Drawing Sheets



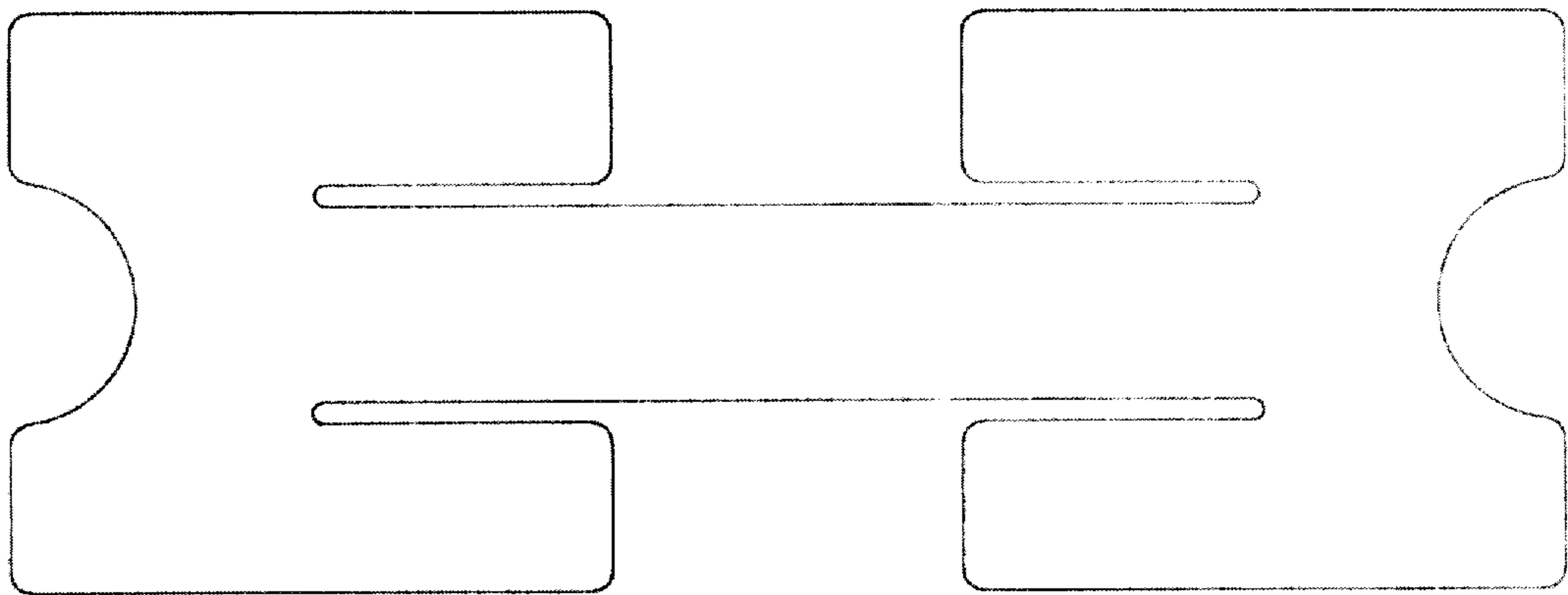


FIGURE 1

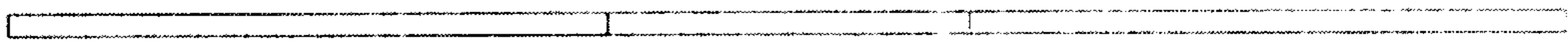


FIGURE 2

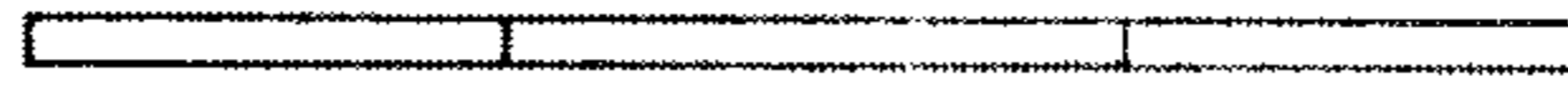


FIGURE 3

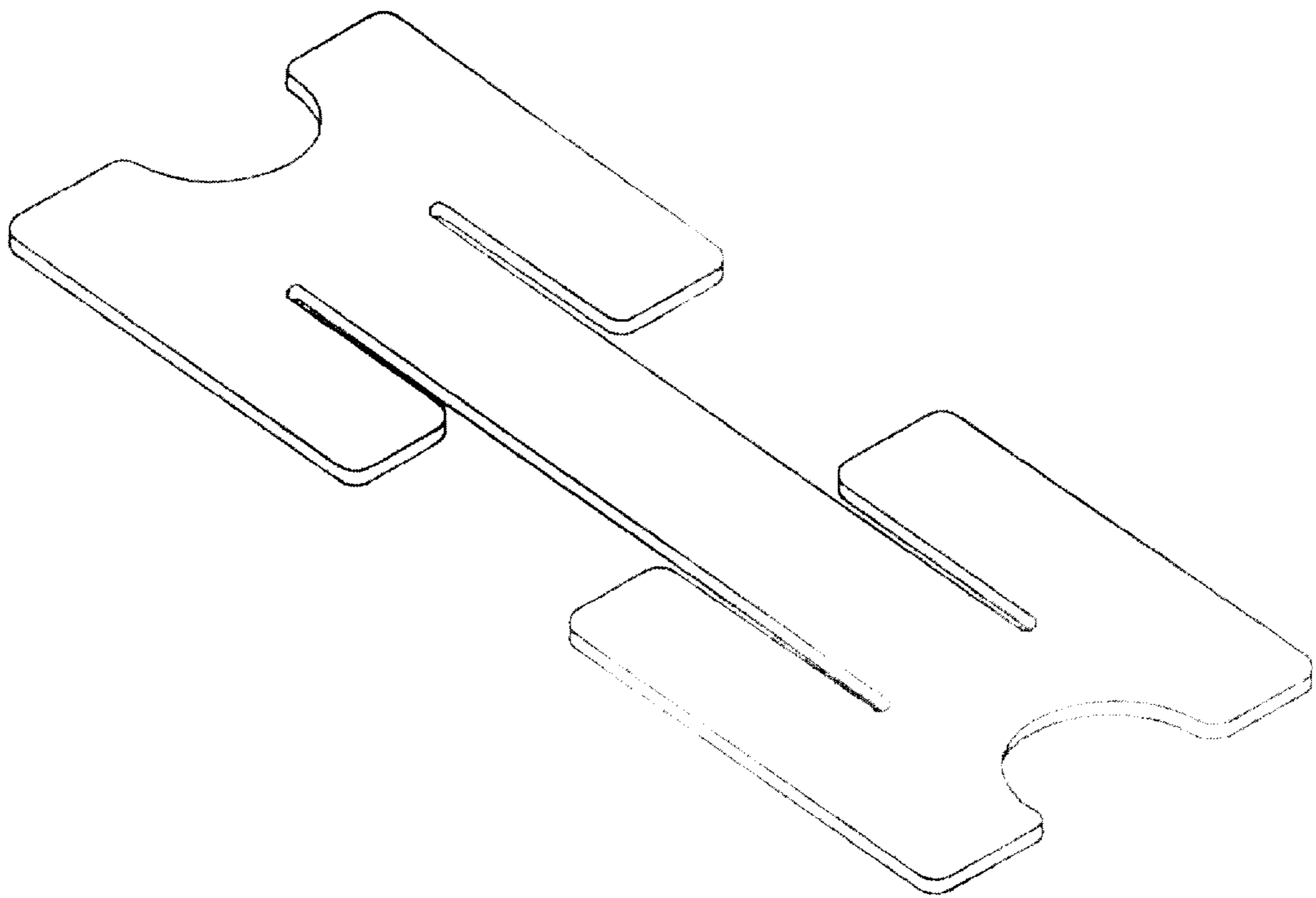


FIGURE 4