



US00D475349S

(12) **United States Design Patent**
Guizard et al.

(10) **Patent No.:** **US D475,349 S**

(45) **Date of Patent:** **** Jun. 3, 2003**

(54) **PLUG ADAPTATOR**

D462,056 S * 8/2002 Chung D13/137.1

(75) Inventors: **Jean Guizard**, Chalon sur Saone (FR);
Bernard Aversenq, Crissey (FR)

* cited by examiner

(73) Assignee: **Gestra** (FR)

Primary Examiner—Jennifer Rivard

(**) Term: **14 Years**

(74) *Attorney, Agent, or Firm*—Cantor Colburn LLP

(21) Appl. No.: **29/165,095**

(22) Filed: **Aug. 5, 2002**

(57) **CLAIM**

The ornamental design for a plug adaptor, as shown and described.

(51) **LOC (7) Cl.** **13-03**

(52) **U.S. Cl.** **D13/137.1; D13/138.2**

(58) **Field of Search** **D13/137.1, 138.2;**
439/476.1, 622; 337/197, 198

DESCRIPTION

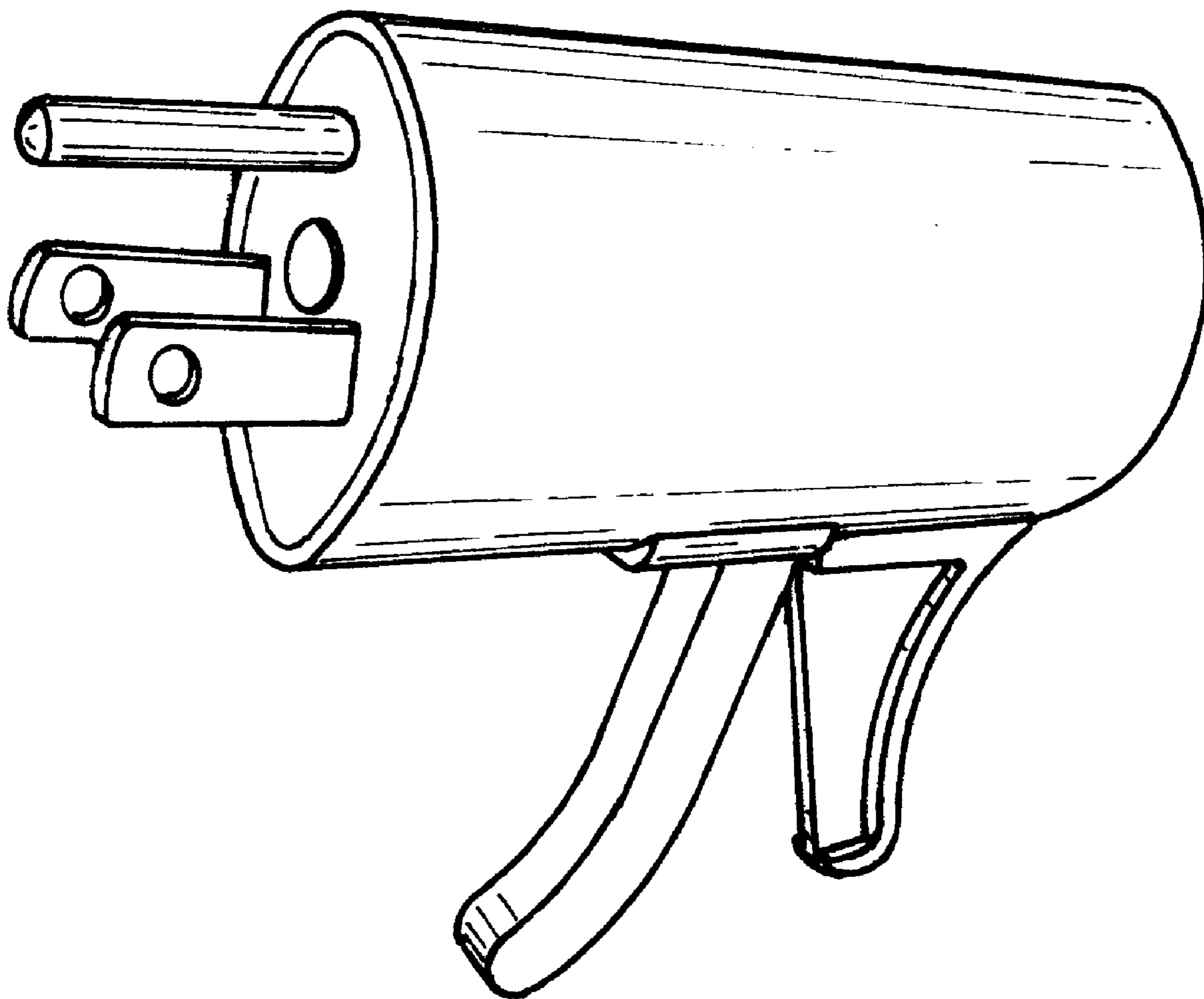
FIG. 1 is a front perspective view of a plug adaptor, showing my new design;
FIG. 2 is a bottom elevational view thereof;
FIG. 3 is a rear elevational view thereof;
FIG. 4 is a first side elevational view thereof;
FIG. 5 is a front elevational view thereof;
FIG. 6 is a top plan view thereof; and,
FIG. 7 is a second side elevational view thereof.

(56) **References Cited**

U.S. PATENT DOCUMENTS

4,904,976 A * 2/1990 Liaq 337/197
D375,292 S * 11/1996 D'Amato D13/137.1

1 Claim, 2 Drawing Sheets



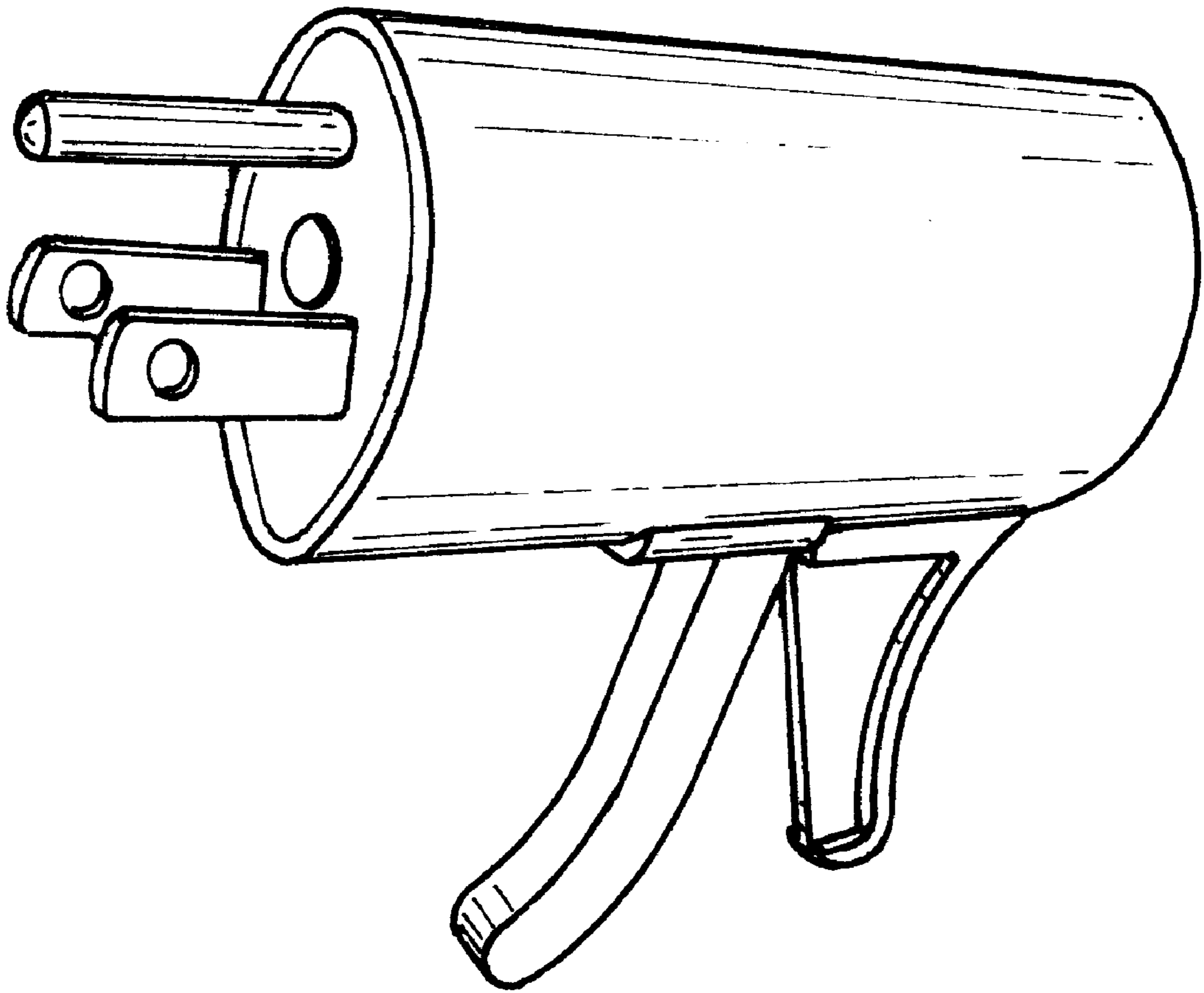


FIGURE 1

FIGURE 2

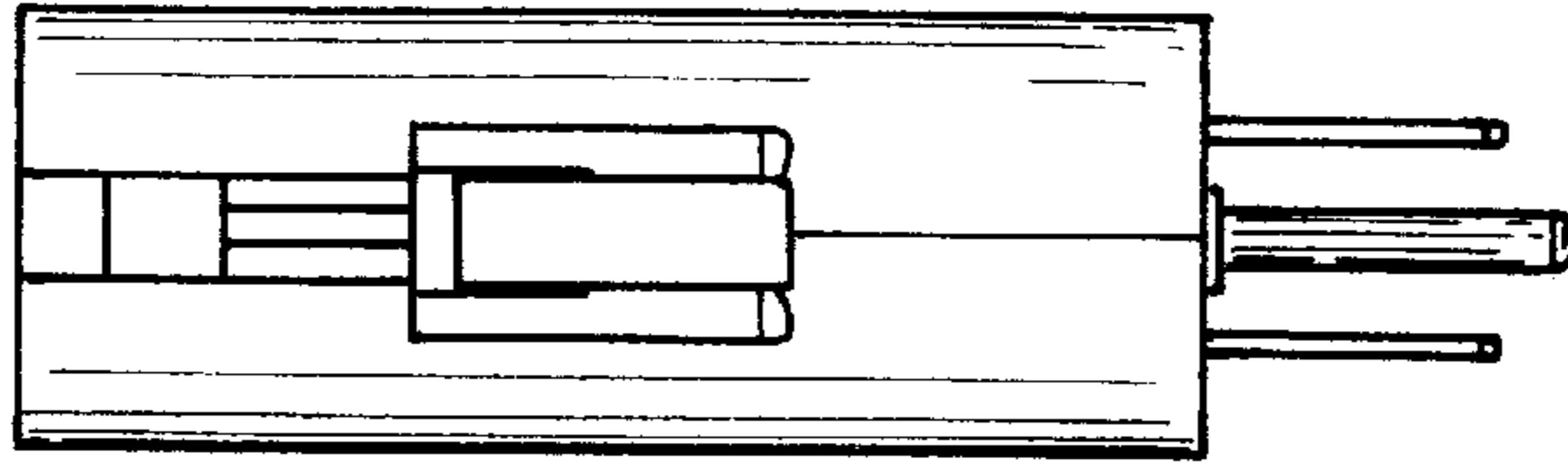


FIGURE 3

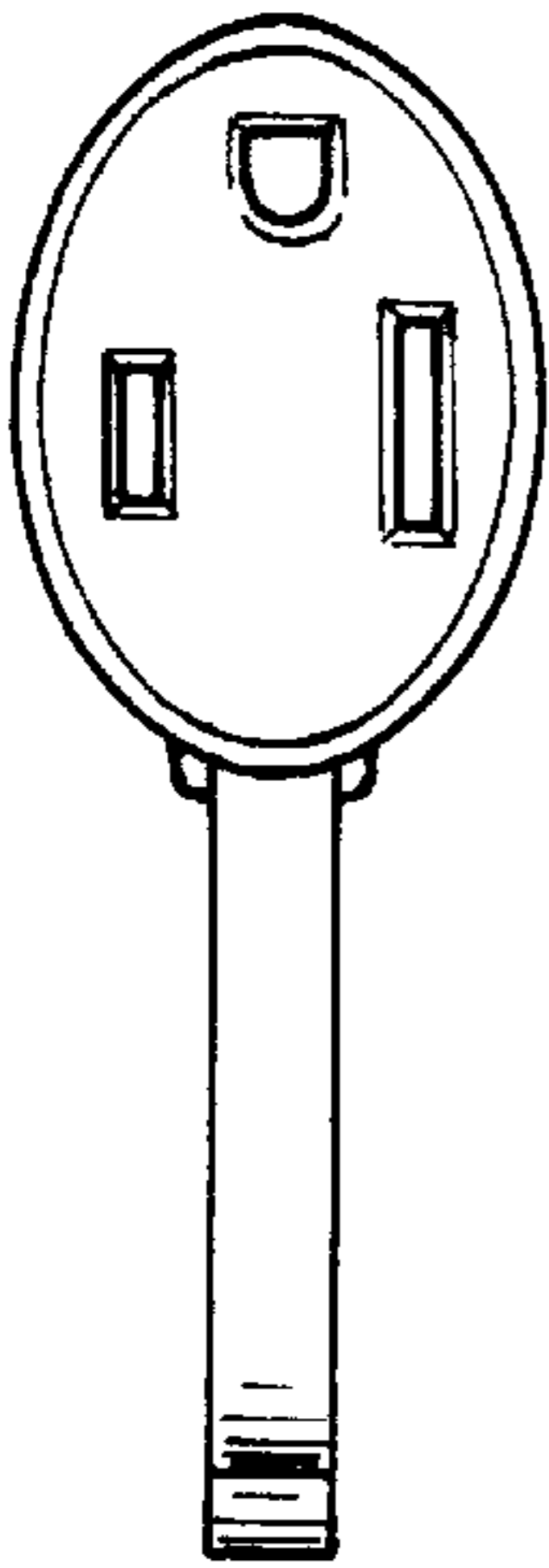


FIGURE 5

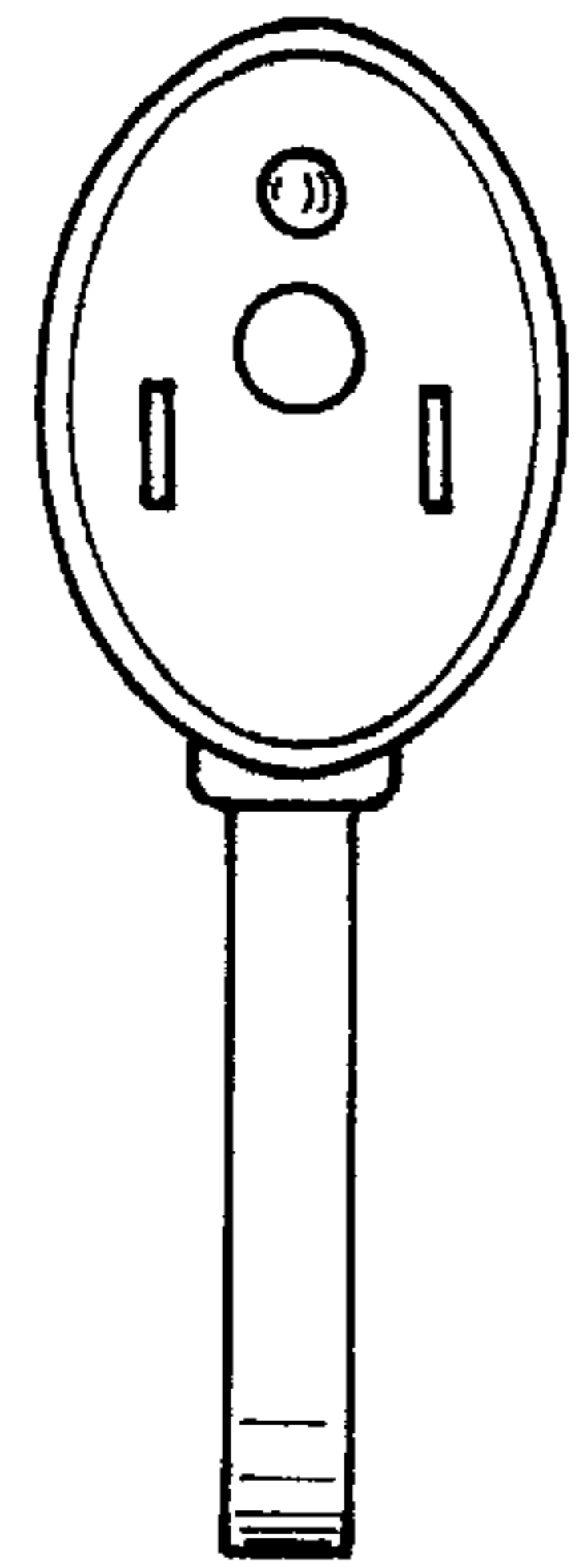


FIGURE 4

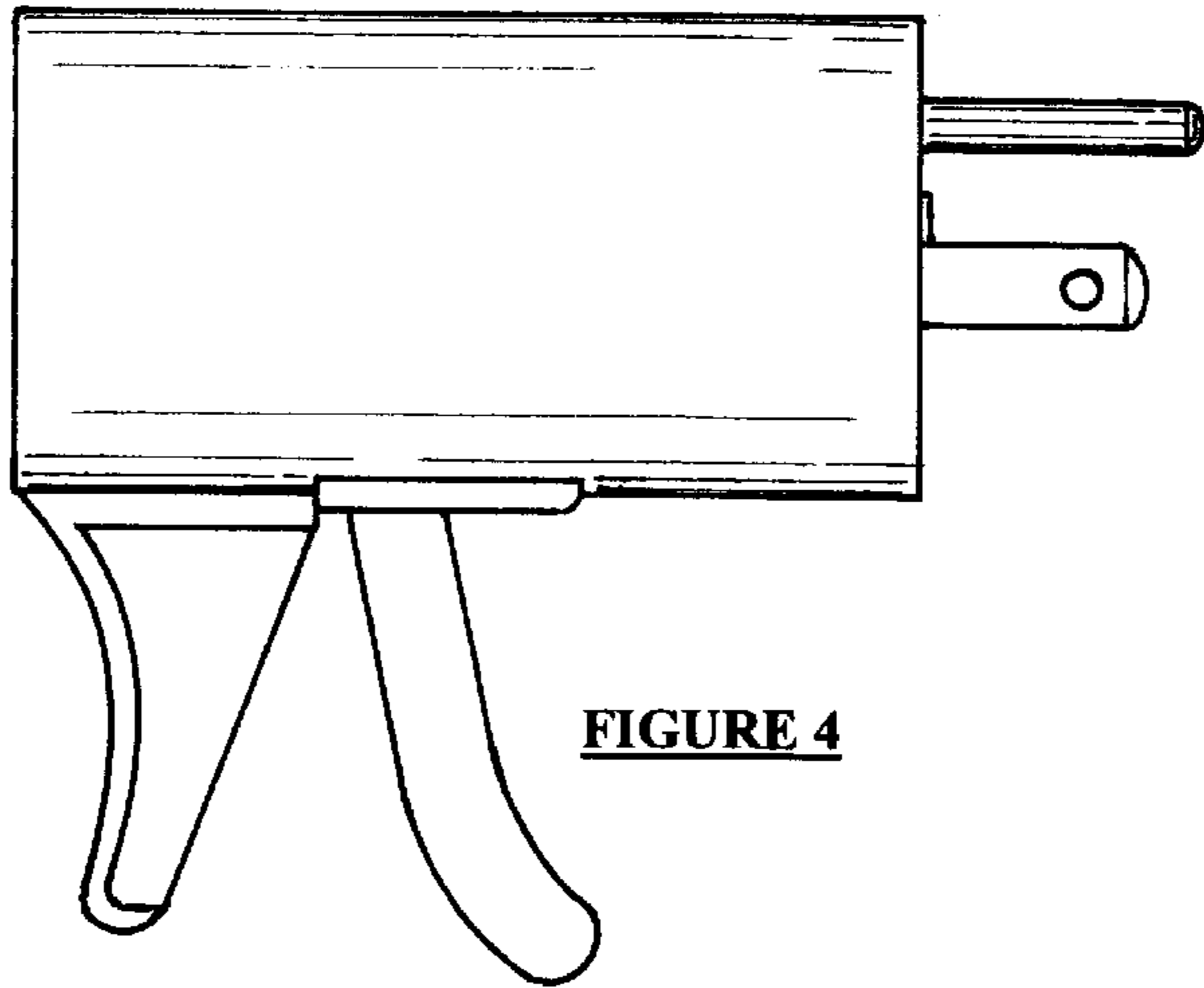


FIGURE 6

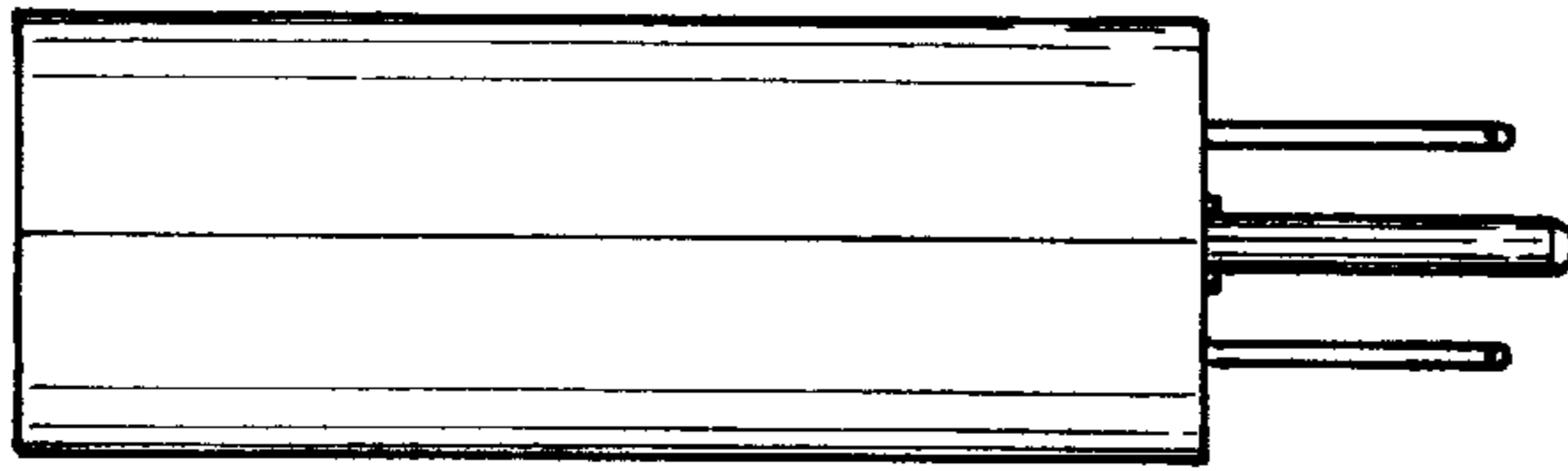


FIGURE 7

