



US00D475347S

(12) **United States Design Patent**
Sheehan et al.

(10) **Patent No.:** **US D475,347 S**

(45) **Date of Patent:** **** Jun. 3, 2003**

(54) **POINTING DEVICE CHARGER**

D463,361 S * 9/2002 Ruohonen D13/108

(75) Inventors: **Peter Sheehan**, Dublin (IE); **James Cathal Loughnane**, Wicklow (IE)

* cited by examiner

Primary Examiner—Joel Sincavage

(73) Assignee: **Logitech Europe S.A.** (CH)

(74) *Attorney, Agent, or Firm*—Townsend and Townsend and Crew LLP

(**) Term: **14 Years**

(57) **CLAIM**

(21) Appl. No.: **29/161,581**

The ornamental design for pointing device charger, as shown and described.

(22) Filed: **May 31, 2002**

(51) **LOC (7) Cl.** **13-02**

(52) **U.S. Cl.** **D13/108**

(58) **Field of Search** D13/107, 108;
320/107–115

DESCRIPTION

FIG. 1 is a perspective view of a pointing device charger showing our new design;
FIG. 2 is a top plan view thereof;
FIG. 3 is a left side elevational view, the right side elevational view being a mirror image thereof;
FIG. 4 is a bottom plan view thereof;
FIG. 5 is a front elevational view thereof; and,
FIG. 6 is a rear elevational view thereof.

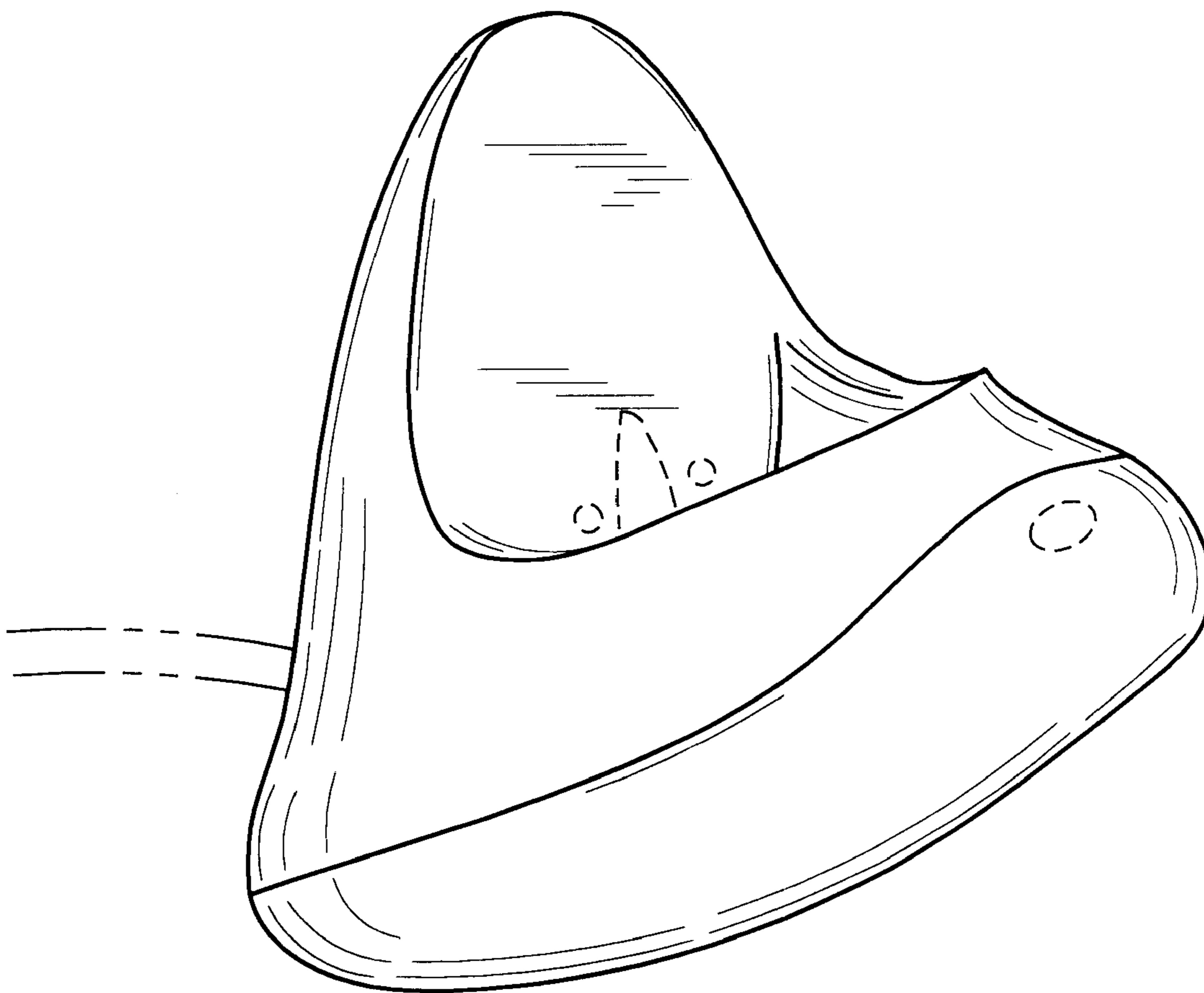
The broken lines throughout the drawings are included for the purpose of illustrating portions of the charger that form no part of the claimed design.

(56) **References Cited**

U.S. PATENT DOCUMENTS

D310,272 S	*	8/1990	Gallanis et al.	D28/53
6,119,038 A	*	9/2000	Cook	607/3
D432,496 S	*	10/2000	Collins	D13/108
D435,253 S	*	12/2000	Oden, II et al.	D13/108 X
6,307,348 B1	*	10/2001	Green	320/111
D455,397 S	*	4/2002	Weiner et al.	D13/108

1 Claim, 4 Drawing Sheets



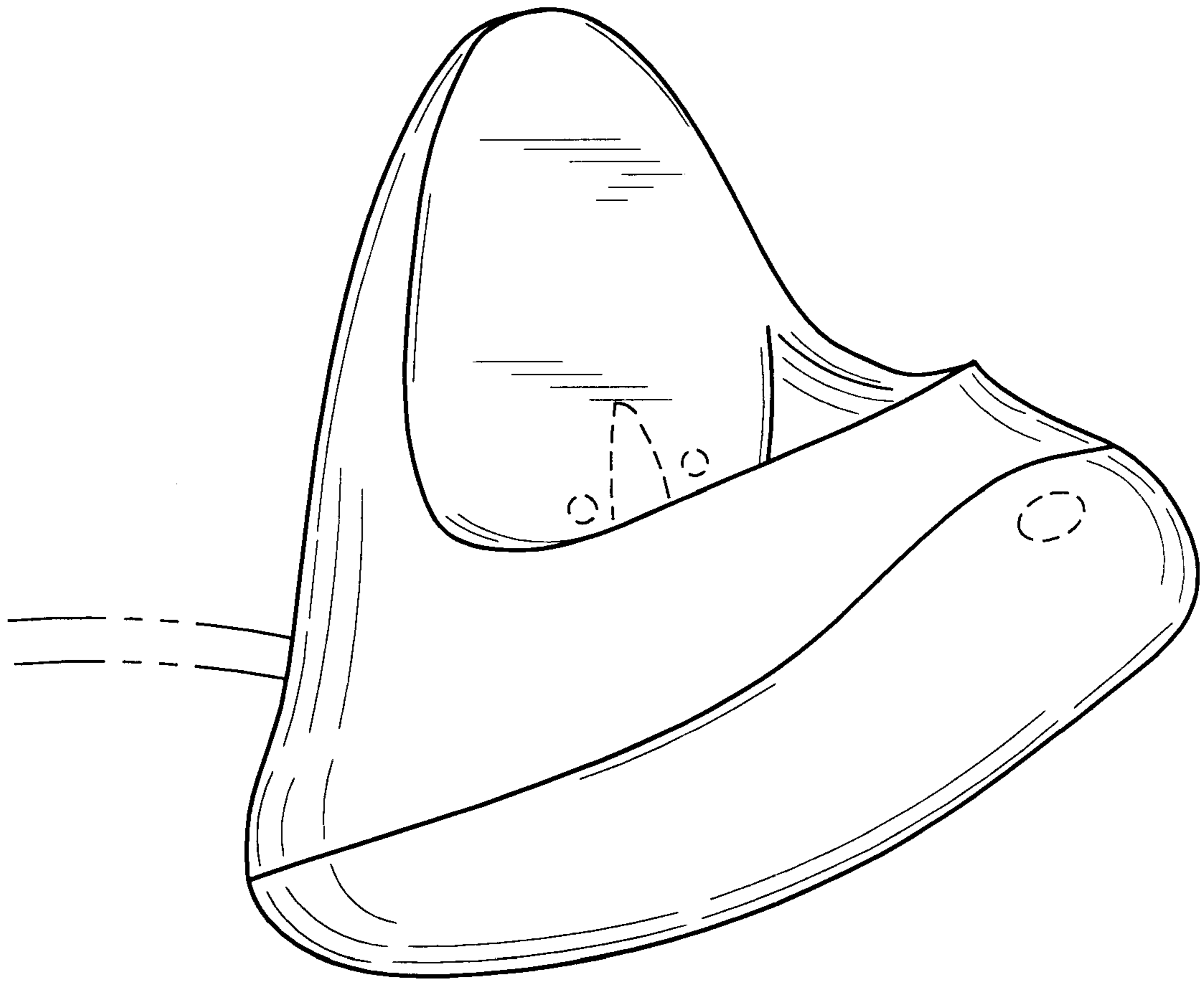


FIG. 1

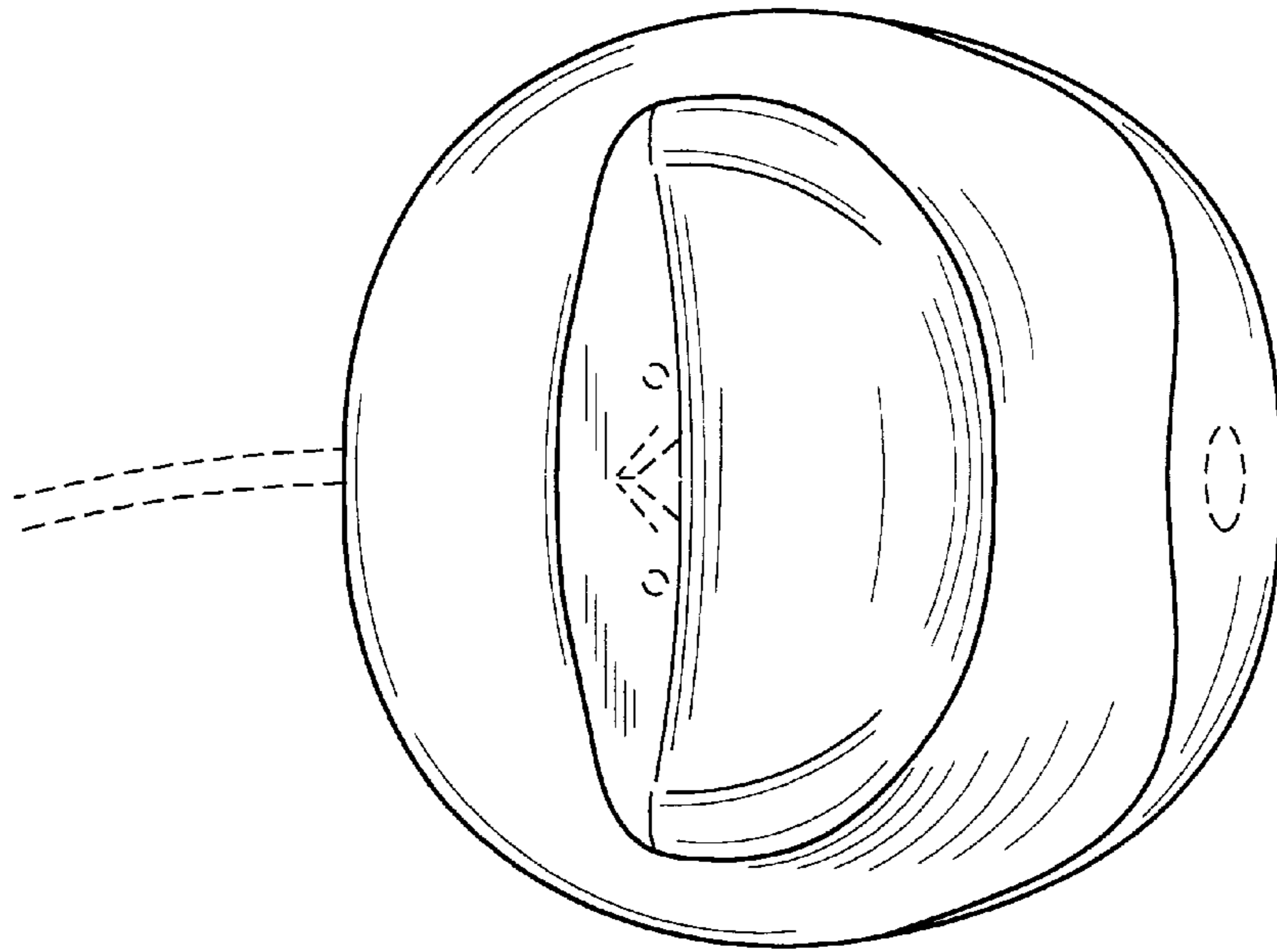


FIG. 2

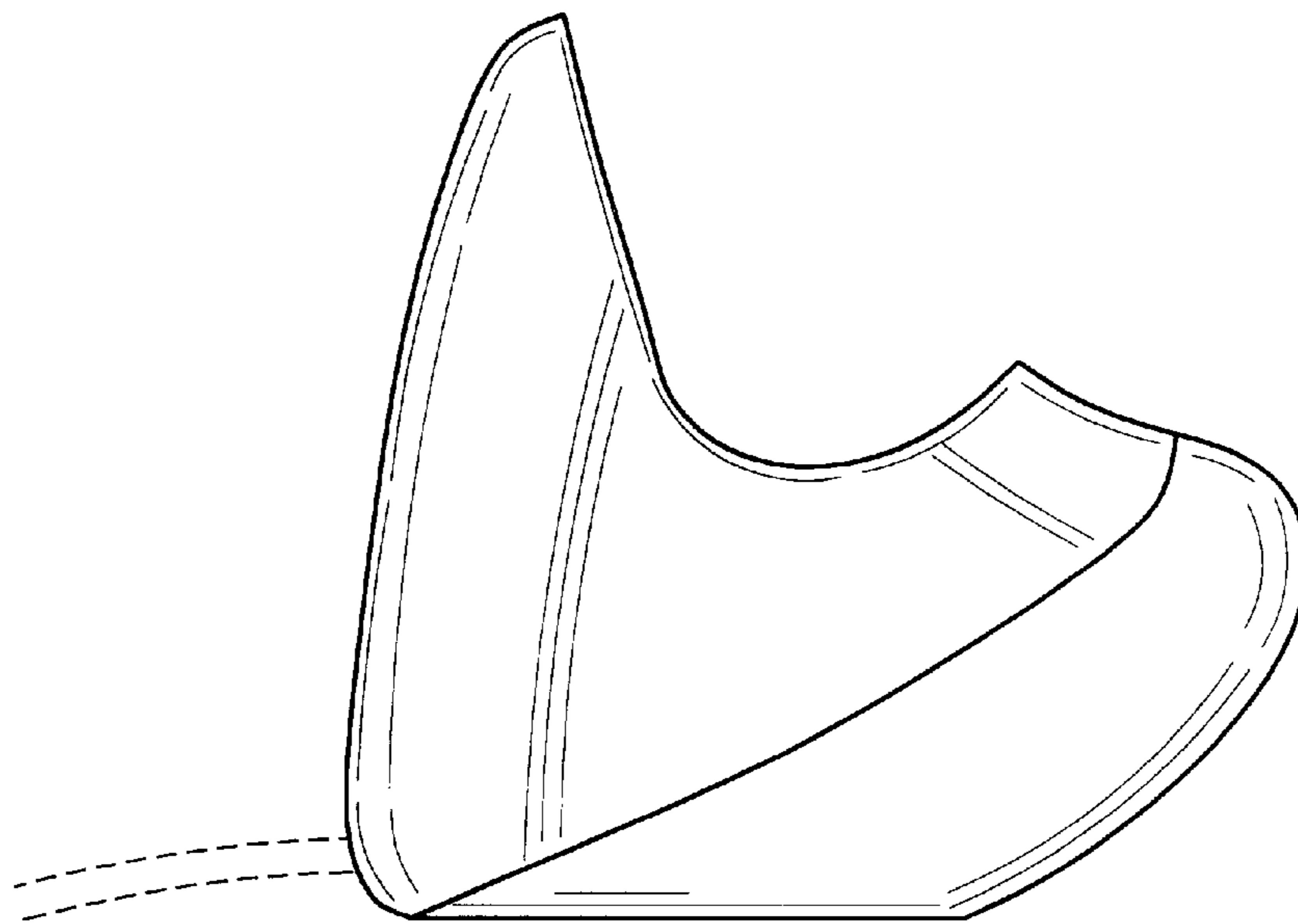


FIG. 3

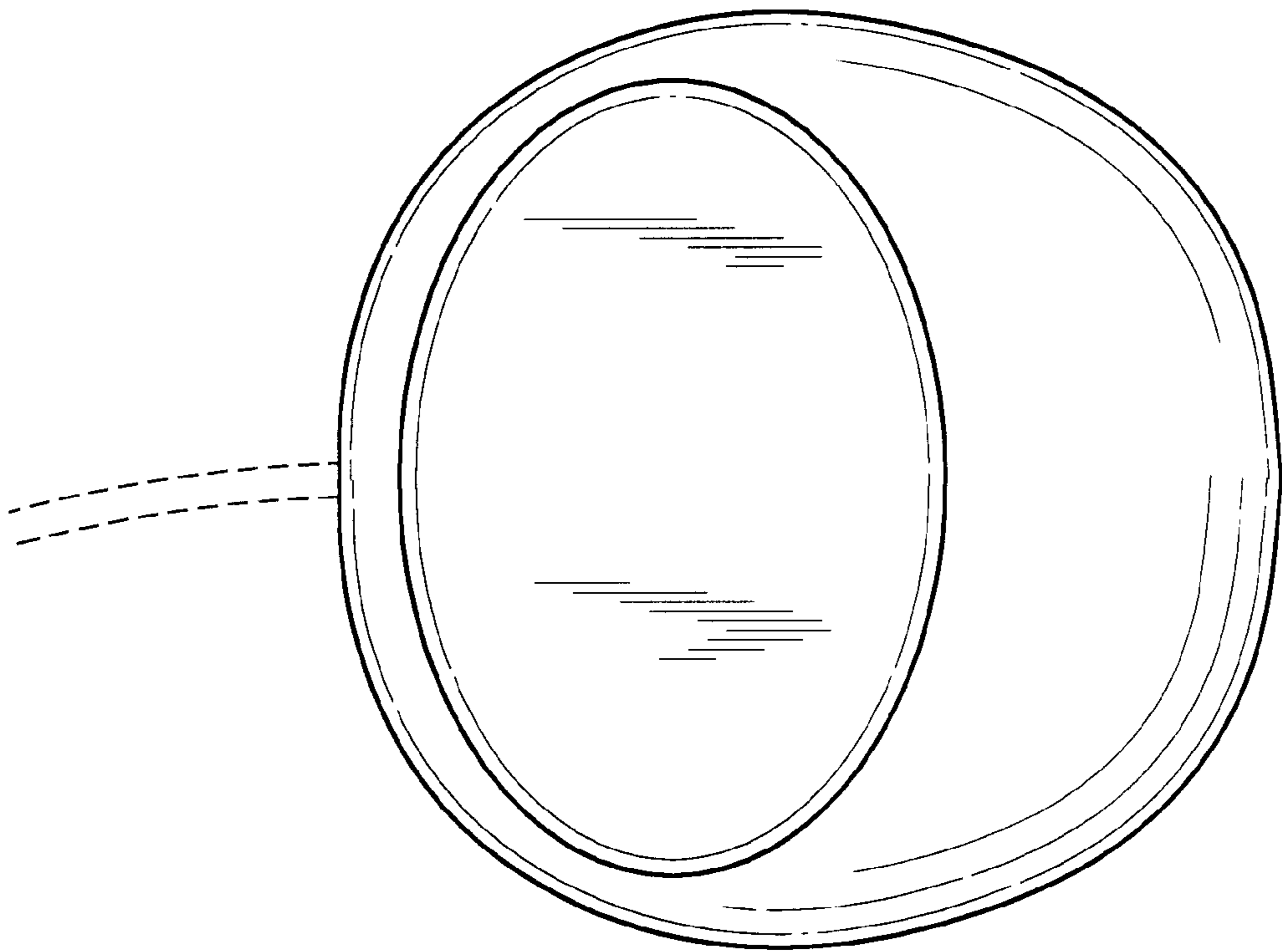


FIG. 4

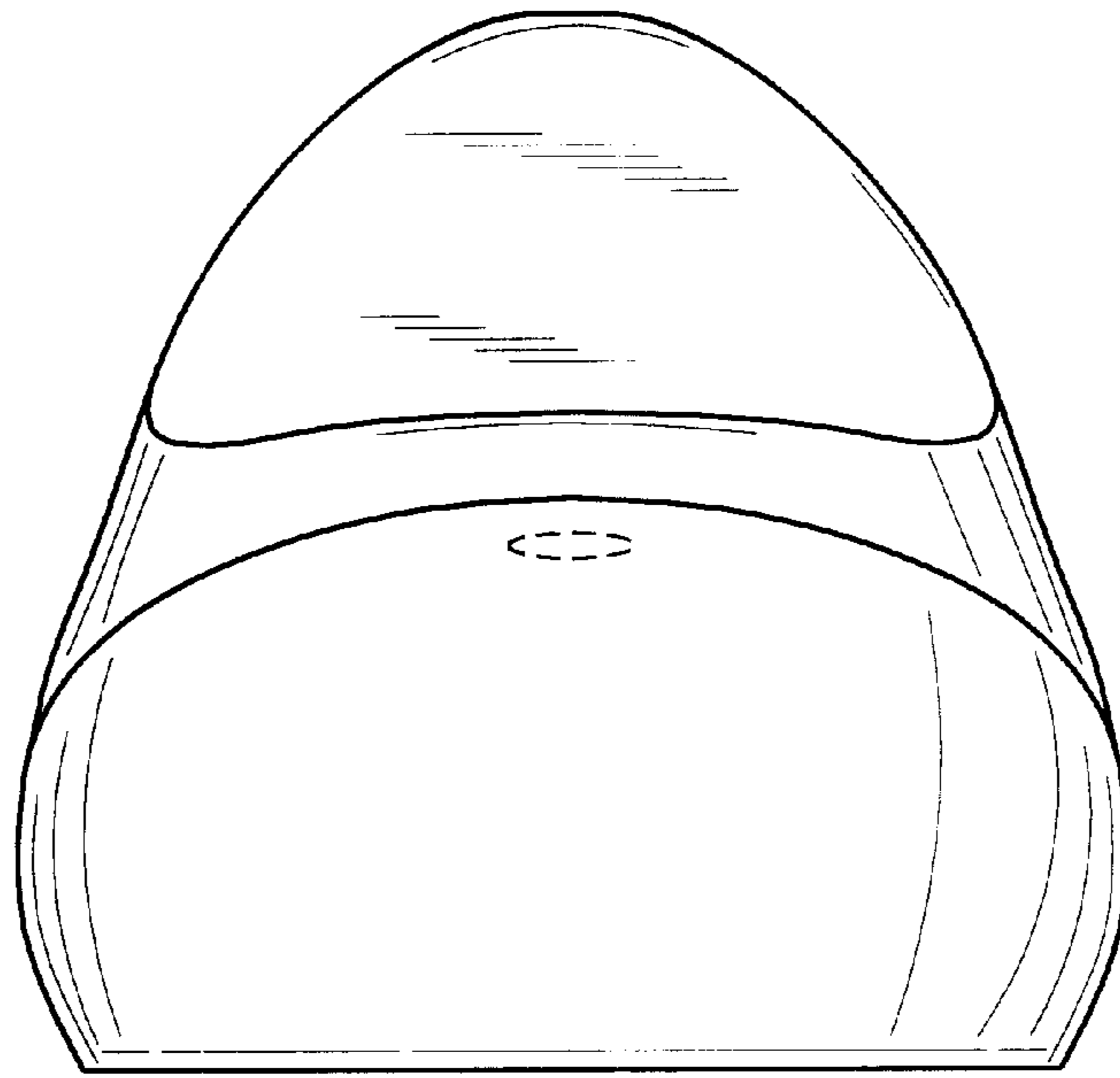


FIG. 5

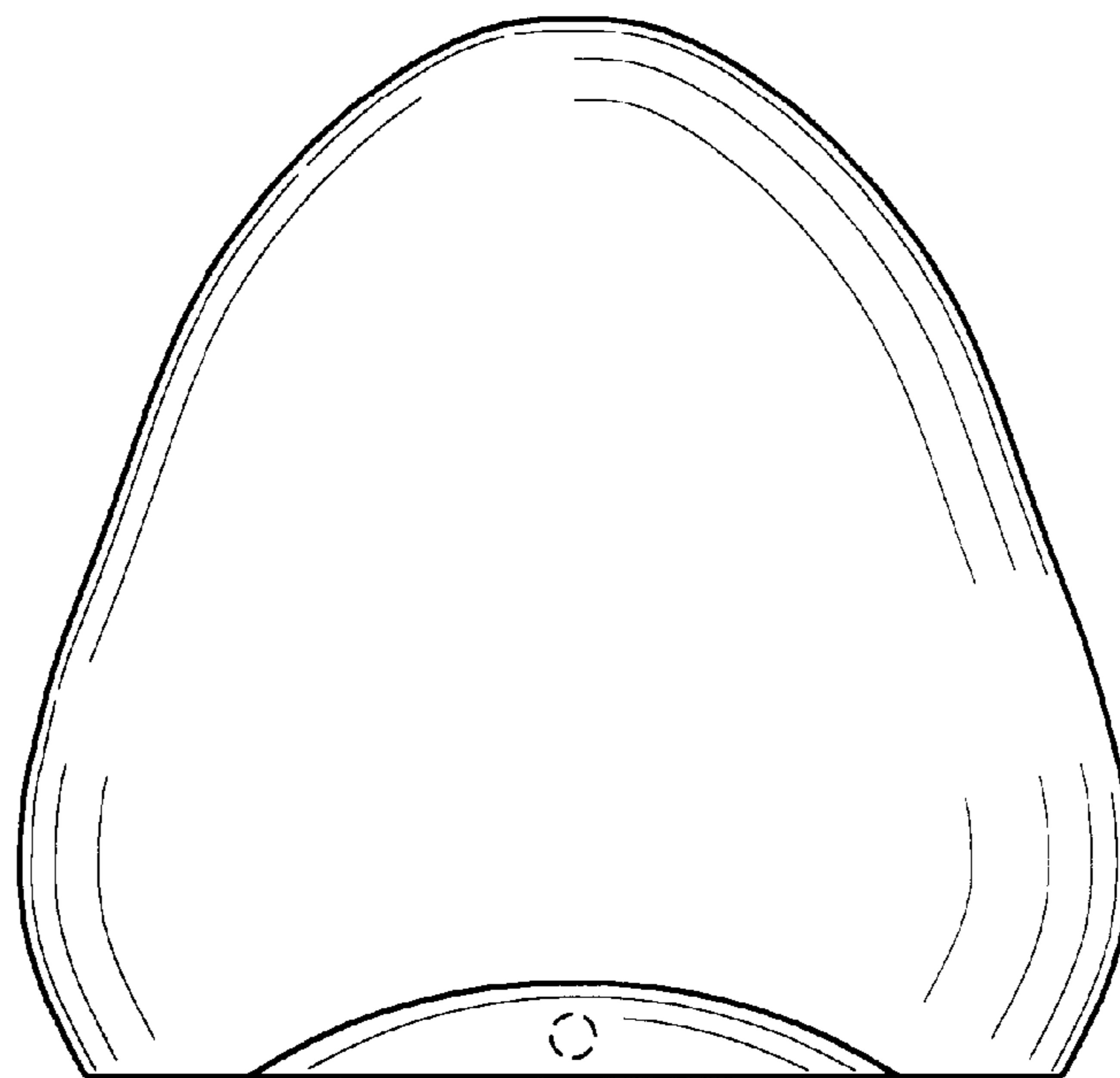


FIG. 6