



US00D475342S

(12) **United States Design Patent**
Mielnik

(10) **Patent No.:** **US D475,342 S**

(45) **Date of Patent:** **** Jun. 3, 2003**

(54) **VEHICLE VISOR ORGANIZER STRAP**

(76) **Inventor:** **Elzbieta Mielnik**, 3036 Coney Island Ave., Brooklyn, NY (US) 11235

(**) **Term:** **14 Years**

(21) **Appl. No.:** **29/168,350**

(22) **Filed:** **Oct. 1, 2002**

(51) **LOC (7) Cl.** **12-16**

(52) **U.S. Cl.** **D12/417; D12/191**

(58) **Field of Search** D19/191, 417, D19/75, 91; D3/265-266, 215, 219; D30/152; D6/552, 553; D8/373; D11/200; 296/97.1, 97.5-97.9, 97.11; 224/901, 901.2-901.8, 311, 312, 313, 257, 258, 264; 24/3.1, 306-307

(56) **References Cited**

U.S. PATENT DOCUMENTS

- 3,430,299 A * 3/1969 Copen 24/306
- D289,810 S * 5/1987 Kotas D30/152
- D292,595 S * 11/1987 Tanaka D12/417 X

- D294,660 S * 3/1988 Strongwater D12/417 X
- 5,259,657 A * 11/1993 Arendt et al. 296/97.6
- D398,571 S * 9/1998 Steinbach D12/191
- D403,296 S * 12/1998 Thomas D12/417

* cited by examiner

Primary Examiner—Stacia Cadmus

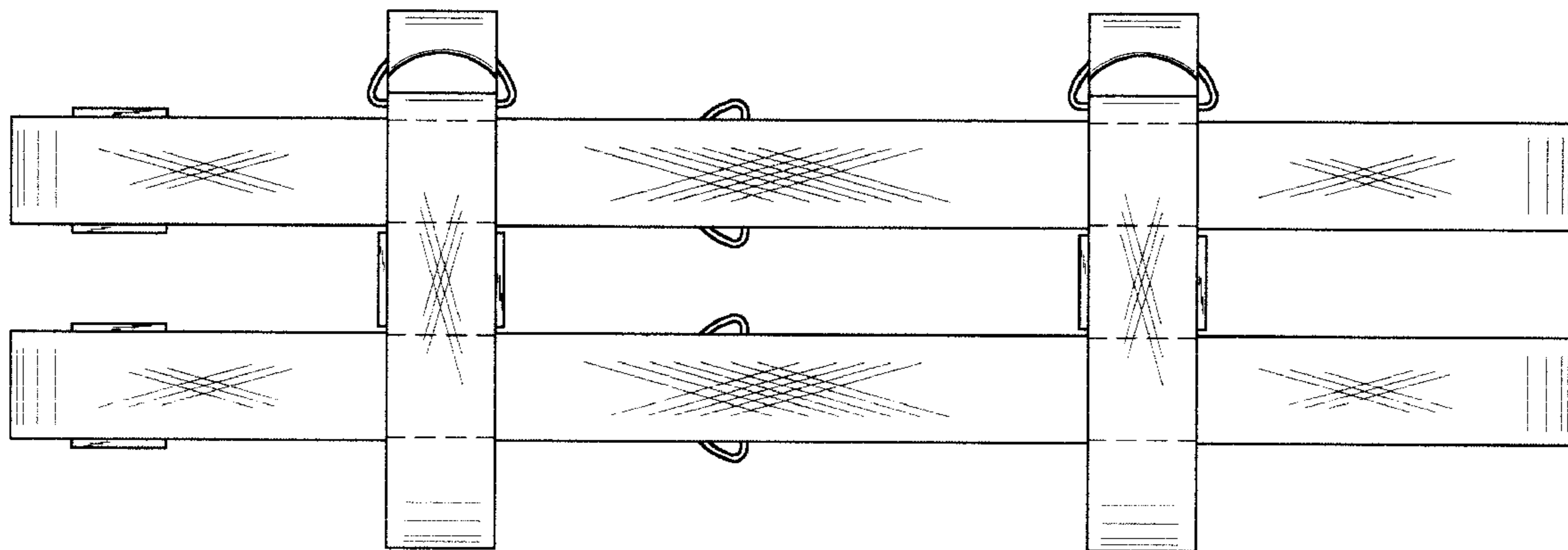
(57) **CLAIM**

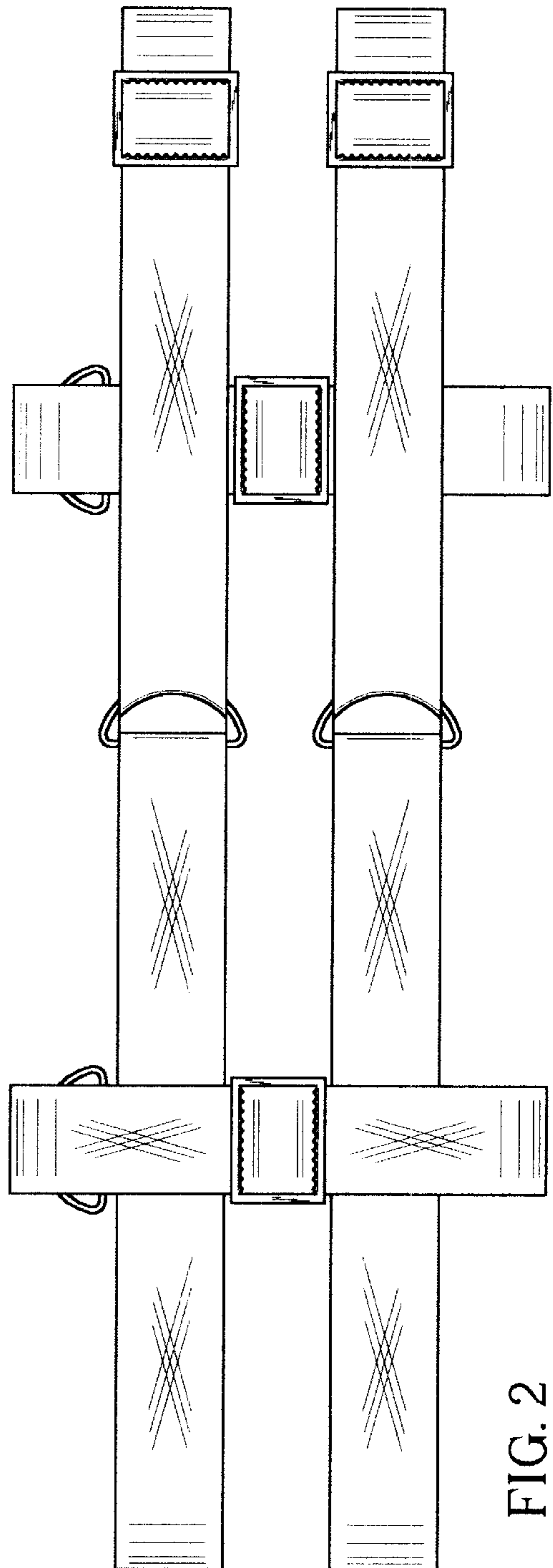
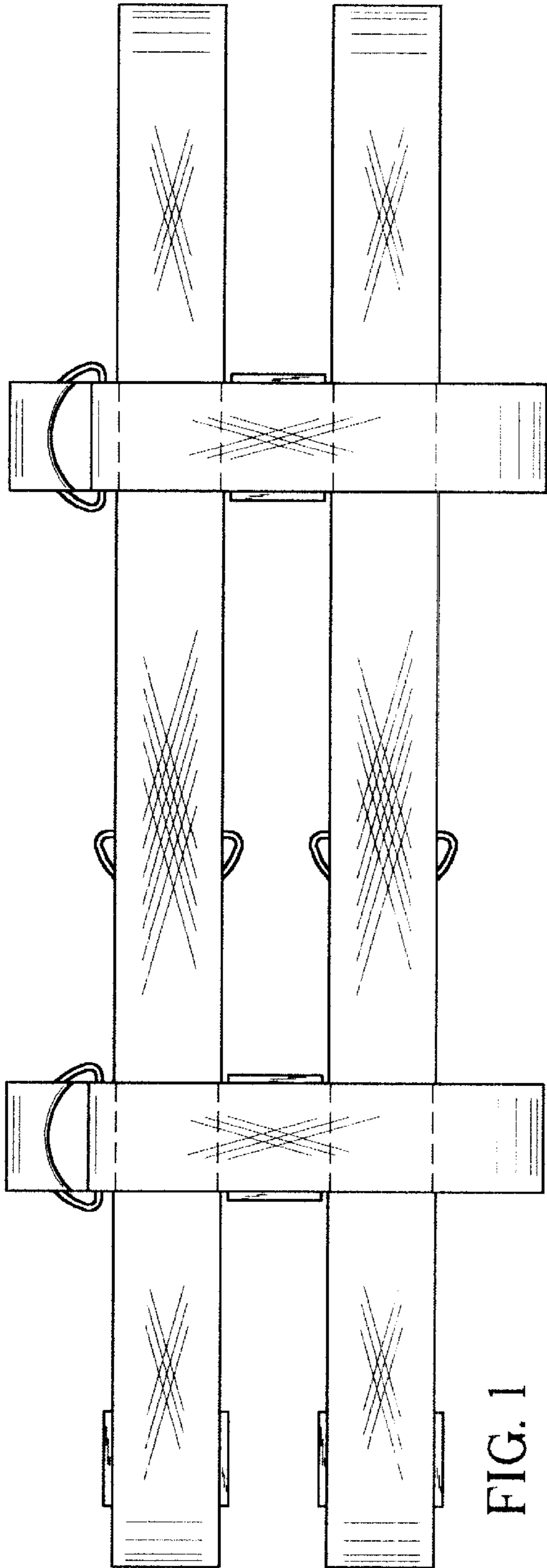
The ornamental design for a vehicle visor organizer strap, as shown and described.

DESCRIPTION

FIG. 1 is a front view of a vehicle visor organizer strap showing my new design;
 FIG. 2 is a back view of the vehicle visor organizer strap;
 FIG. 3 is an end view of the vehicle visor organizer strap; and,
 FIG. 4 is a side view of the vehicle visor organizer strap.
 The broken lines on the strap in FIG. 1 are understood to represent stitching.

1 Claim, 2 Drawing Sheets





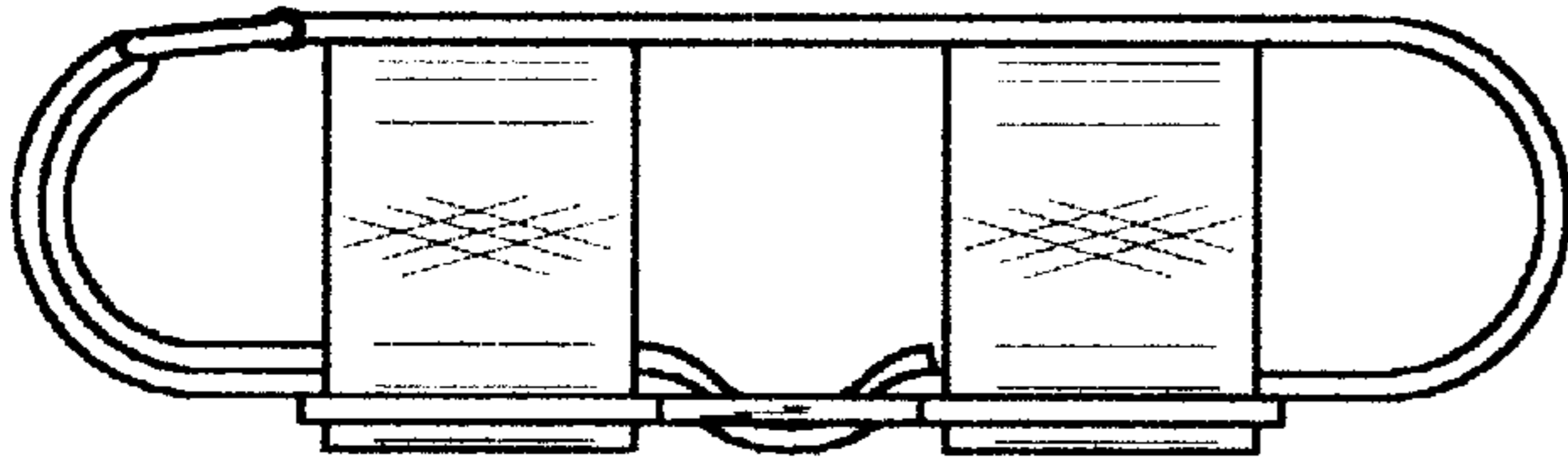


FIG. 3

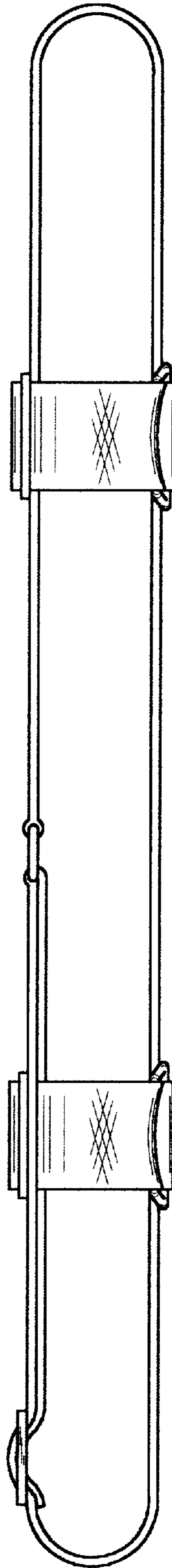


FIG. 4