



US00D475341S

(12) **United States Design Patent**  
**Garland**

(10) **Patent No.:** **US D475,341 S**

(45) **Date of Patent:** **\*\* Jun. 3, 2003**

(54) **SAFETY CORNER COVER FOR AN AIRPLANE WING FLAP**

D386,143 S \* 11/1997 Astaire ..... D12/345

\* cited by examiner

(76) **Inventor:** **Joseph M. Garland**, 17701 Middle Oak Ct., Ft. Myers, FL (US) 33912

*Primary Examiner*—Marcus A. Jackson

(\*\*) **Term:** **14 Years**

(57) **CLAIM**

The ornamental design for a safety corner cover for an airplane wing flap, as shown and described.

(21) **Appl. No.:** **29/135,259**

**DESCRIPTION**

(22) **Filed:** **Jan. 9, 2001**

(51) **LOC (7) Cl.** ..... **12-12**

FIG. 1 is a top right rear perspective view of a safety corner cover for an airplane wing flap.

(52) **U.S. Cl.** ..... **D12/345**

FIG. 2 is a top view of a safety corner cover for an airplane wing flap.

(58) **Field of Search** ..... D12/319, 321, D12/323, 345; 244/16, DIG. 1.1, DIG. 1.4, 13

FIG. 3 is a front view of a safety corner cover for an airplane wing flap; and,

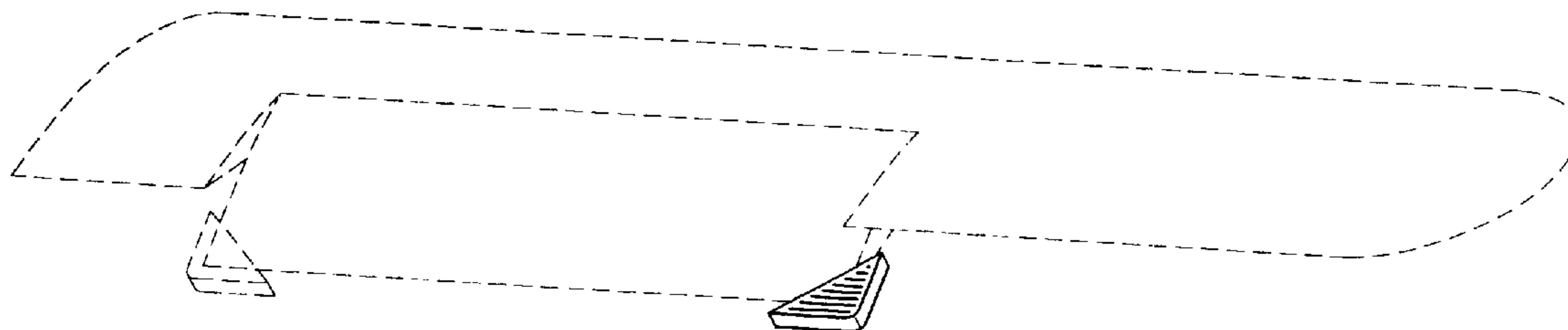
FIG. 4 is a rear view of a safety corner cover for an airplane wing flap.

(56) **References Cited**

**U.S. PATENT DOCUMENTS**

D332,250 S \* 1/1993 Avendano ..... D12/345

**1 Claim, 2 Drawing Sheets**



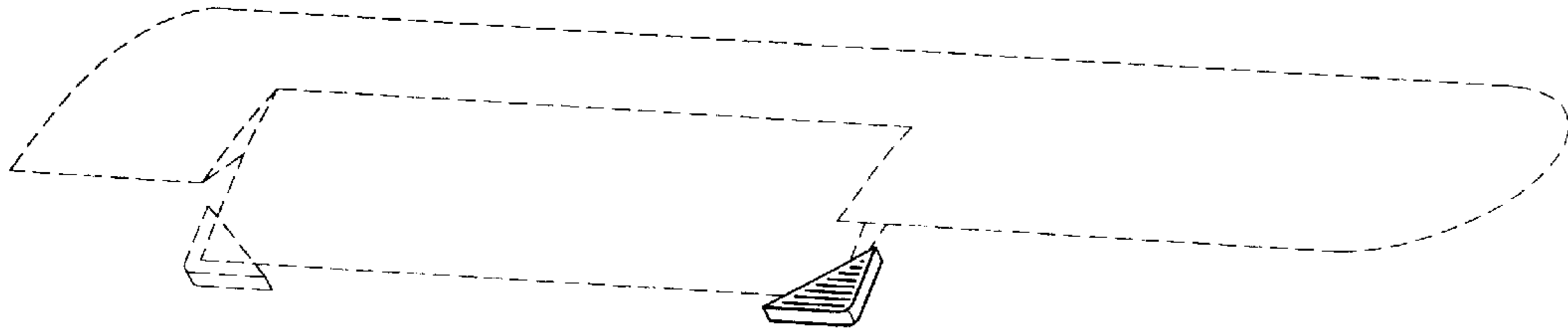


FIG. 1

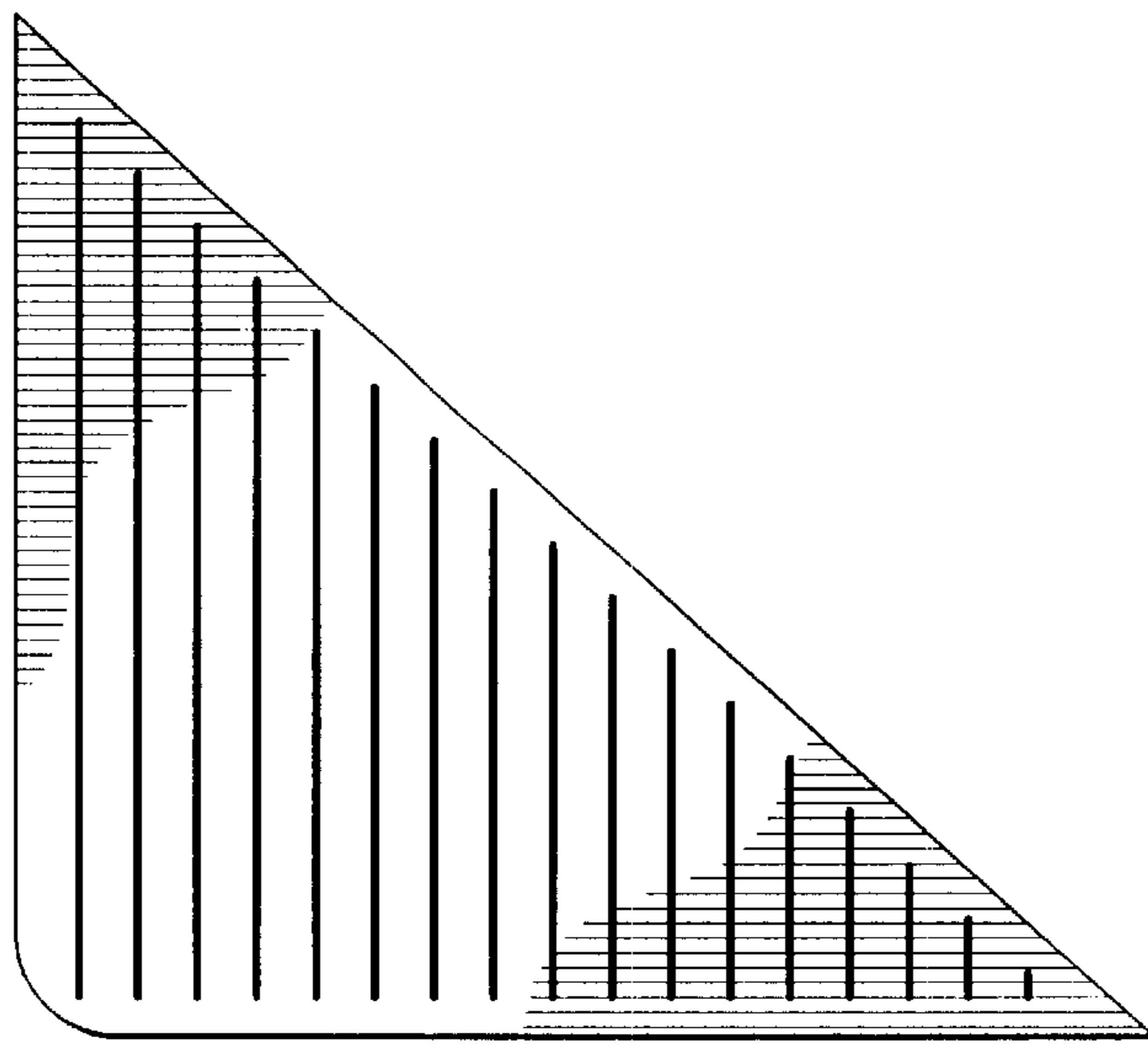


FIG. 2

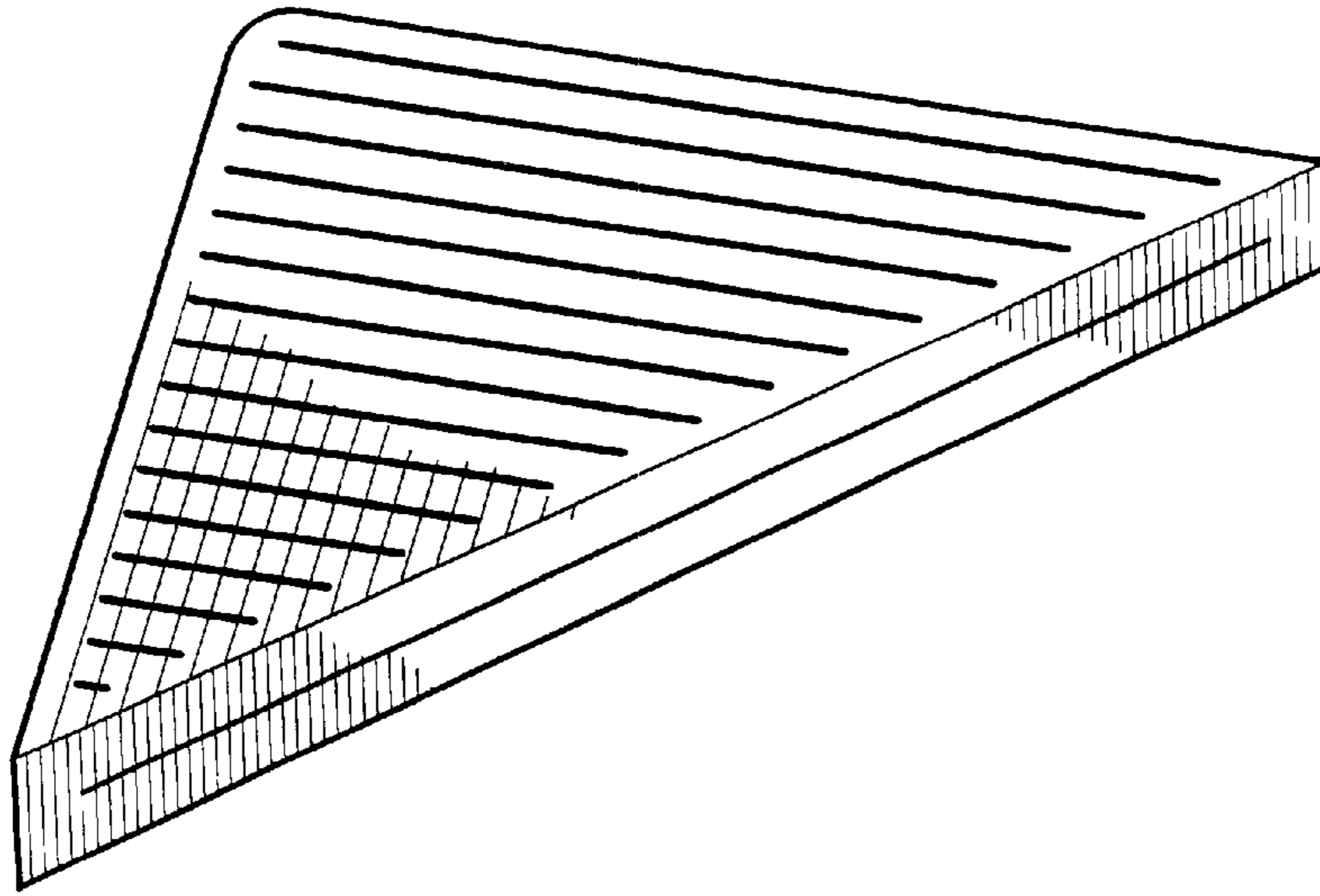


FIG. 3

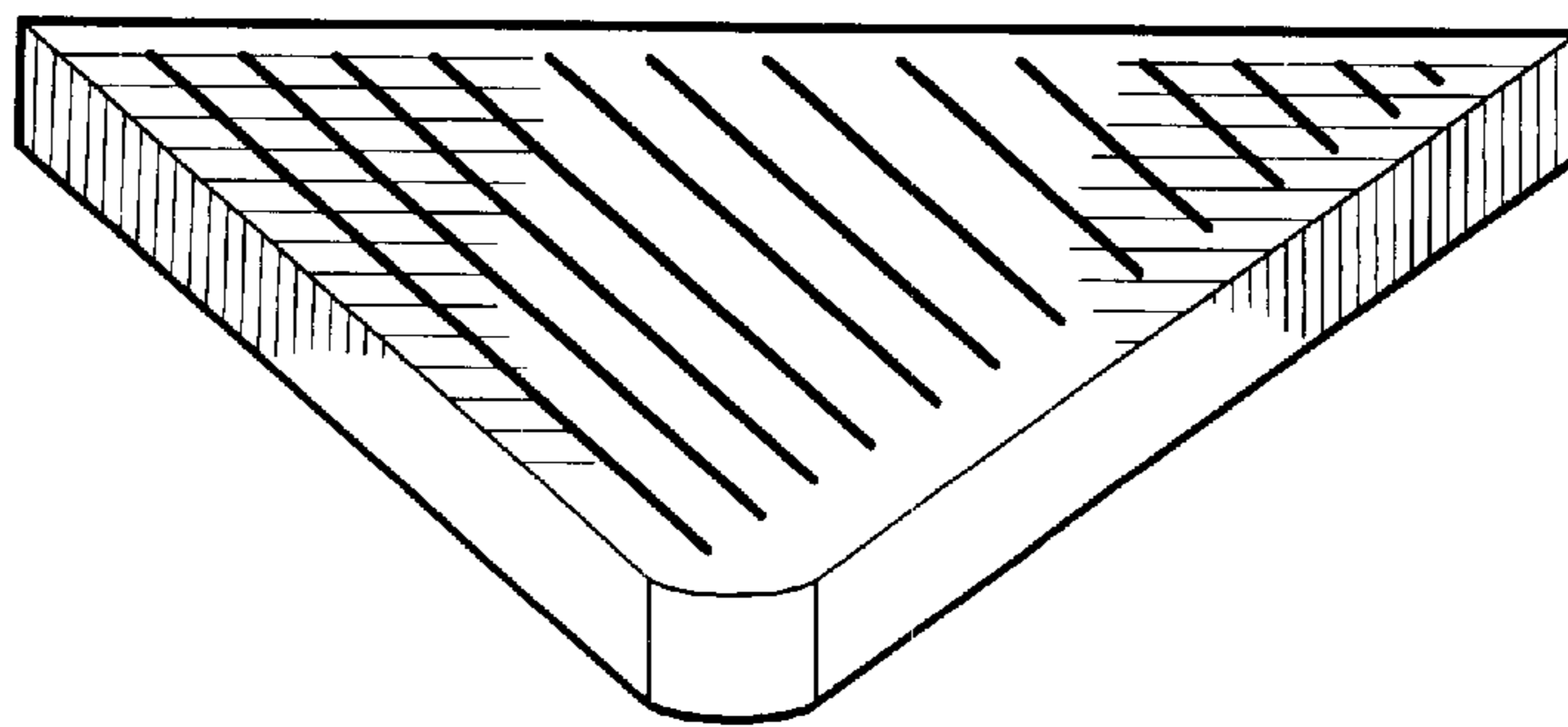


FIG. 4