



US00D475337S

(12) **United States Design Patent**
Kataoka

(10) **Patent No.:** **US D475,337 S**

(45) **Date of Patent:** **** Jun. 3, 2003**

(54) **WHEEL**

(75) **Inventor:** **Tatsuya Kataoka**, Torrance, CA (US)

(73) **Assignee:** **Y. Kataoka Corporation**, Torrance, CA (US)

(**) **Term:** **14 Years**

(21) **Appl. No.:** **29/170,624**

(22) **Filed:** **Nov. 12, 2002**

(51) **LOC (7) Cl.** **12-16**

(52) **U.S. Cl.** **D12/209**

(58) **Field of Search** D12/204-211;
301/37.101, 64.101, 65

(56) **References Cited**

U.S. PATENT DOCUMENTS

D258,503 S	*	3/1981	Semple	D12/211
D392,611 S	*	3/1998	Echazabal et al.	D12/211
D408,345 S	*	4/1999	Cullen	D12/209
D416,532 S	*	11/1999	Cullen	D12/209
D433,375 S	*	11/2000	Fitzgerald	D12/209
D447,993 S	*	9/2001	Neeper	D12/211

D452,674 S	*	1/2002	Wartono	D12/209
D458,203 S	*	6/2002	Kataoka	D12/209
D458,204 S	*	6/2002	Kataoka	D12/209
D458,572 S	*	6/2002	Fitzgerald	D12/209
D458,887 S	*	6/2002	Kataoka	D12/209
D459,689 S	*	7/2002	Hieke	D12/211
D460,037 S	*	7/2002	Takechi	D12/211
D466,463 S	*	12/2002	Hodges	D12/209
D466,854 S	*	12/2002	Kern	D12/211

* cited by examiner

Primary Examiner—Stacia Cadmus

(74) *Attorney, Agent, or Firm*—Park & Sutton LLP; John K. Park

(57) **CLAIM**

The ornamental design for a wheel, as shown and described.

DESCRIPTION

FIG. 1 is a perspective view of a wheel showing my new design; and,

FIG. 2 is a front elevational view of FIG. 1.

The broken line showing of environment is for illustrative purposes only and forms no part of the claimed design.

1 Claim, 2 Drawing Sheets

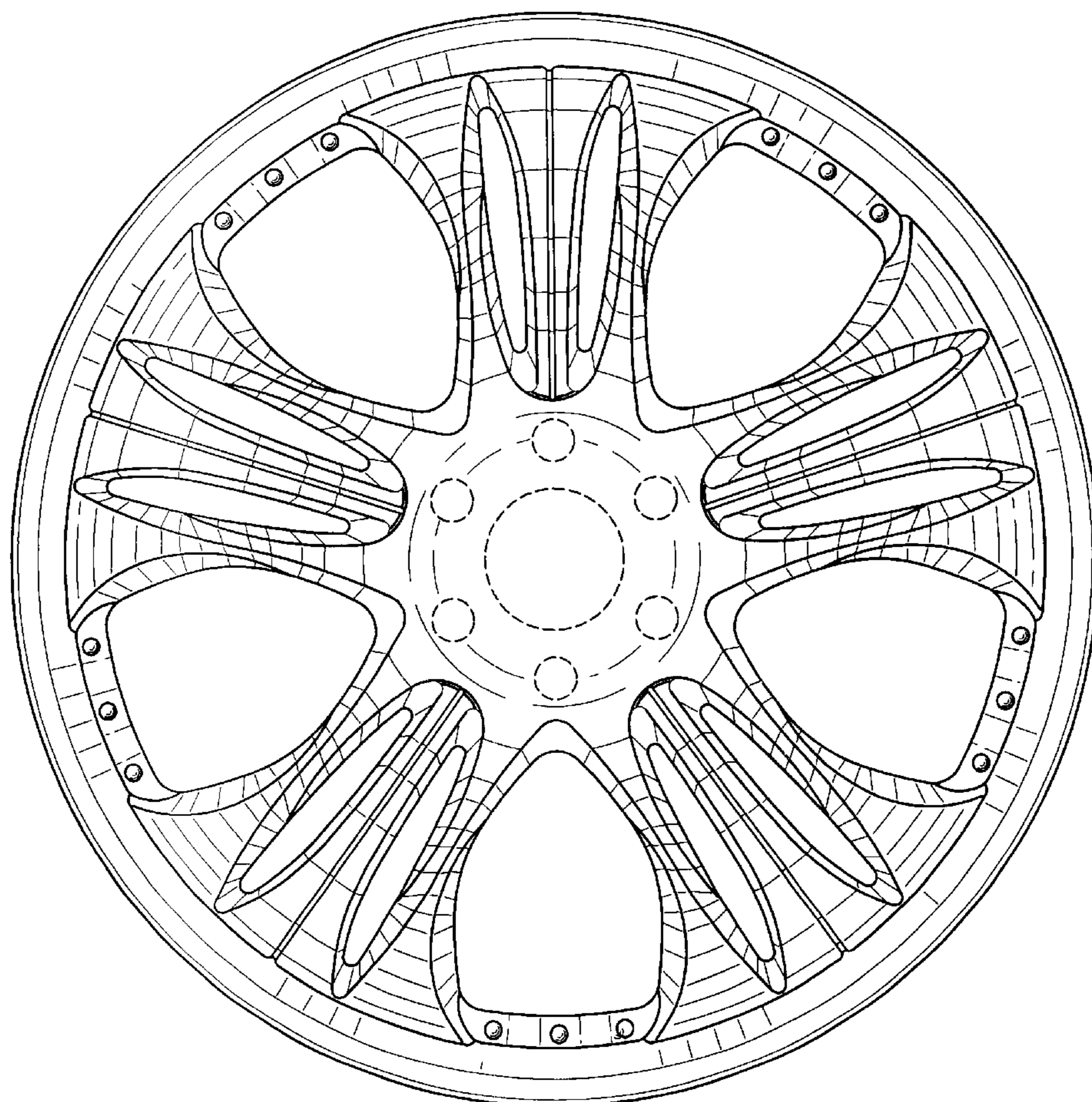


Fig. 1

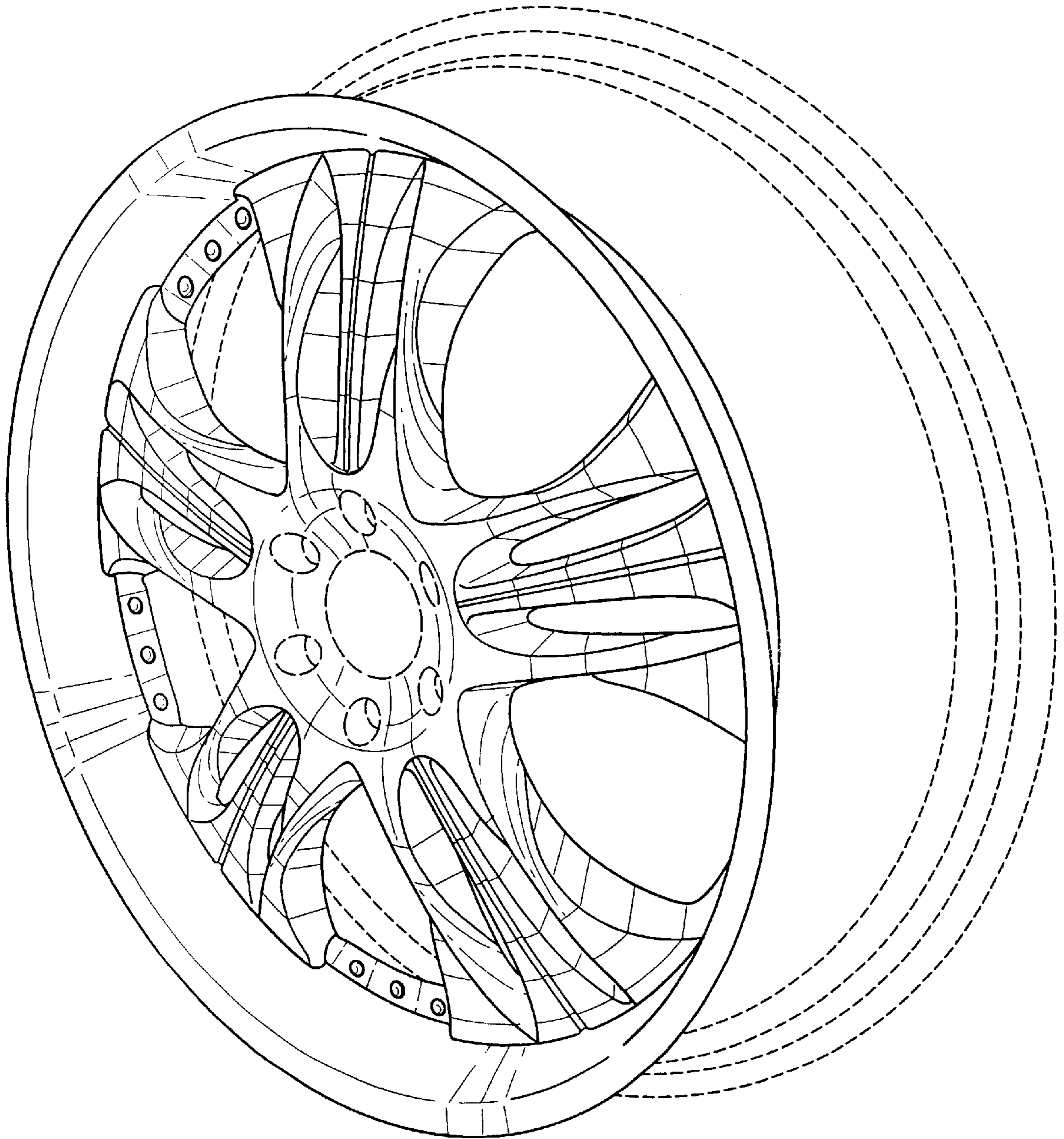


Fig. 2

