



US00D475331S

(12) **United States Design Patent**  
**Leazenby**

(10) **Patent No.:** **US D475,331 S**

(45) **Date of Patent:** **\*\* Jun. 3, 2003**

(54) **VEHICLE GRILLE**

D456,752 S \* 5/2002 Leazenby ..... D12/163  
D459,279 S \* 6/2002 Leazenby ..... D12/163

(75) Inventor: **Craig Lynn Leazenby**, San Bernardino,  
CA (US)

\* cited by examiner

(73) Assignee: **J&J Enterprises**, Ontario, CA (US)

*Primary Examiner*—Melody N. Brown

(\*\*) Term: **14 Years**

(57) **CLAIM**

(21) Appl. No.: **29/168,643**

The ornamental design for a vehicle grille, as shown and described.

(22) Filed: **Oct. 4, 2002**

**DESCRIPTION**

(51) **LOC (7) Cl.** ..... **12-16**

(52) **U.S. Cl.** ..... **D12/163**

(58) **Field of Search** ..... D12/163, 90-92,  
D12/171; 180/68.1, 68.6, 69.21; 293/115,  
117, 120

FIG. 1 is a front perspective view of the vehicle grille;  
FIG. 2 is an left elevational view of the grille;  
FIG. 3 is a right elevational view of the grille;  
FIG. 4 is a top plan view of the grille;  
FIG. 5 is a bottom plan view of the grille;  
FIG. 6 is a front elevational view of the grille; and,  
FIG. 7 is a rear elevational view of the grille.

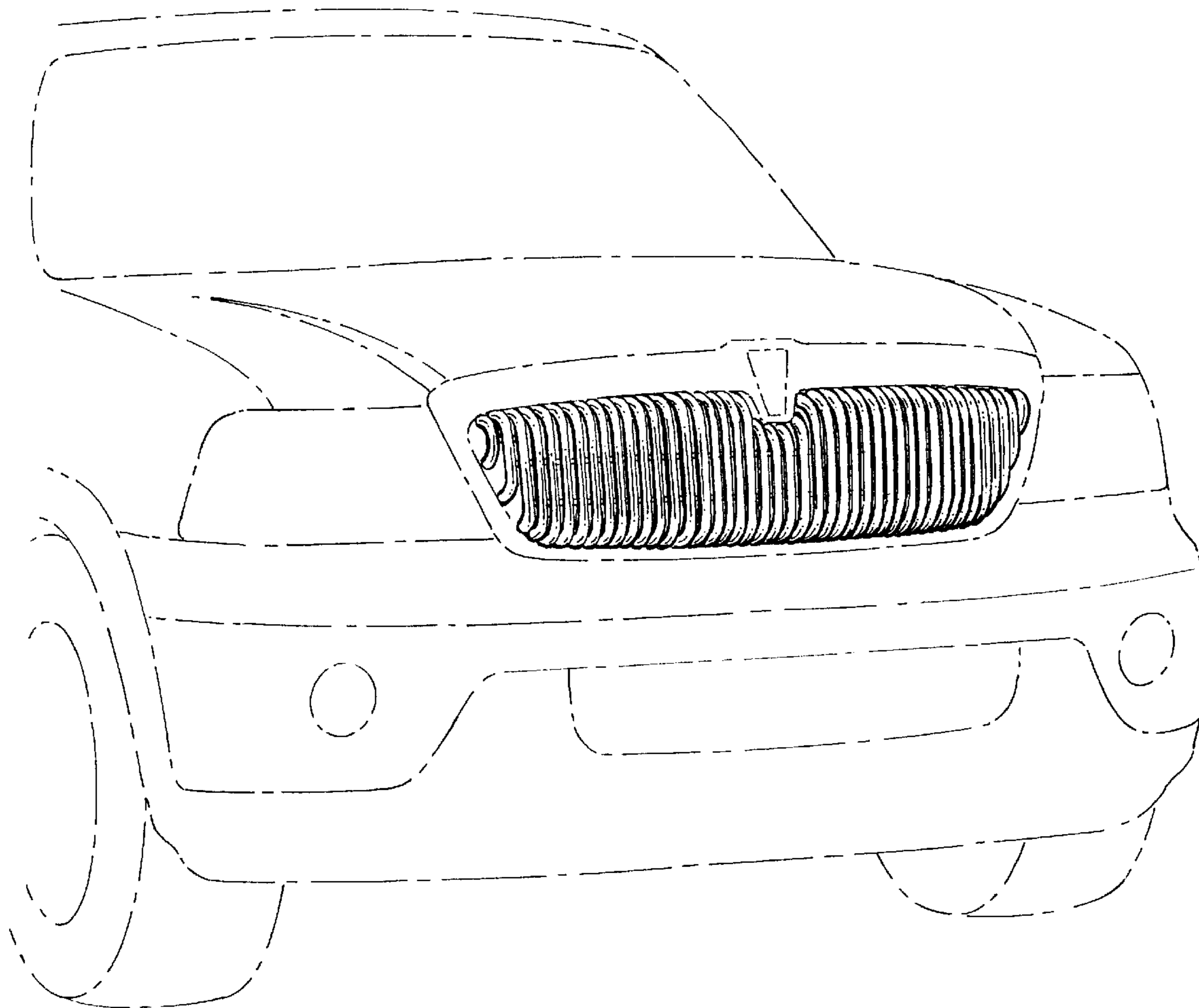
(56) **References Cited**

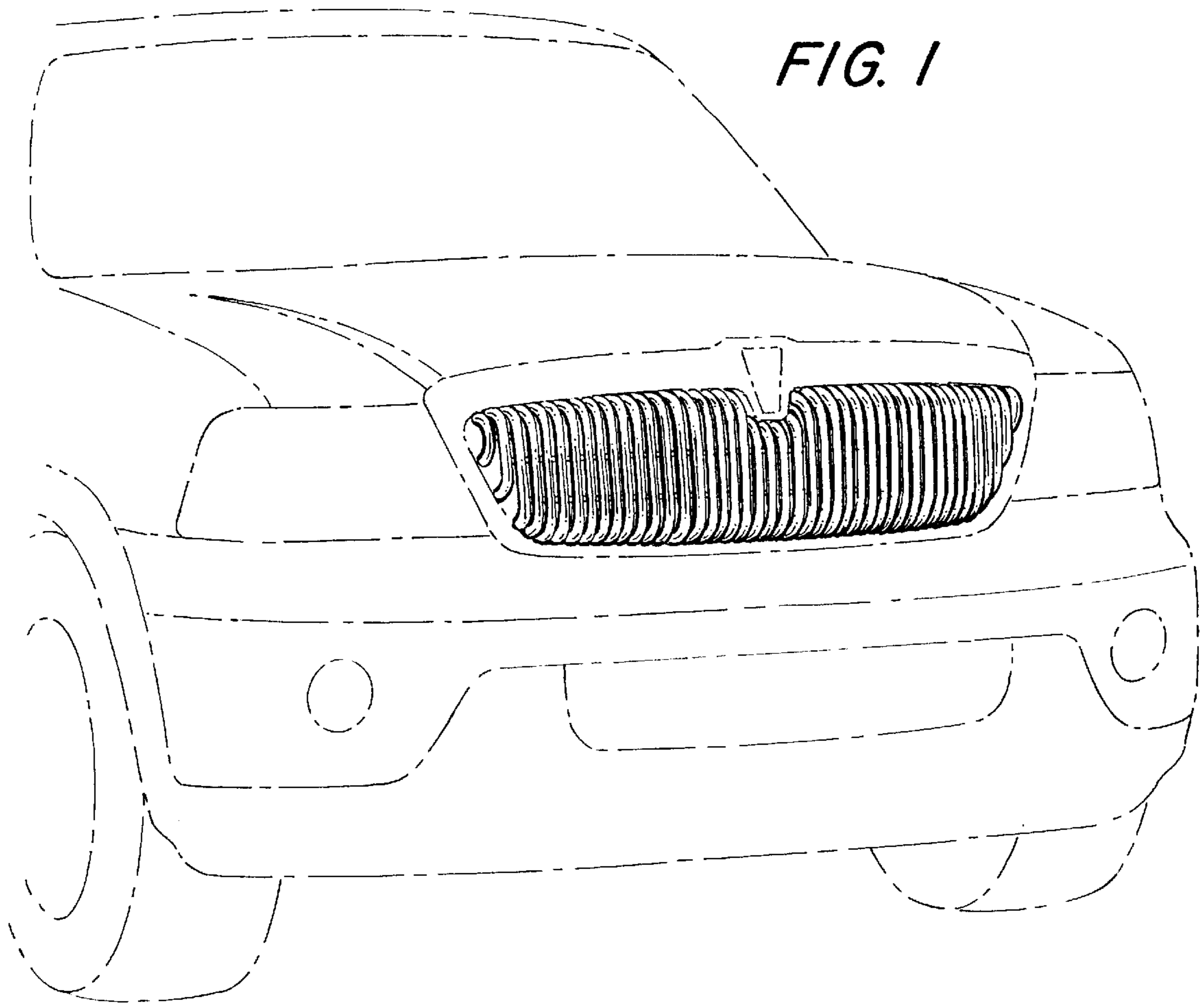
The broken lines shown in the FIG. 1 drawing view are for illustrative purposes only and form no part of the claimed design.

**U.S. PATENT DOCUMENTS**

D454,816 S \* 3/2002 Leazenby ..... D12/163  
D455,683 S \* 4/2002 Leazenby ..... D12/163

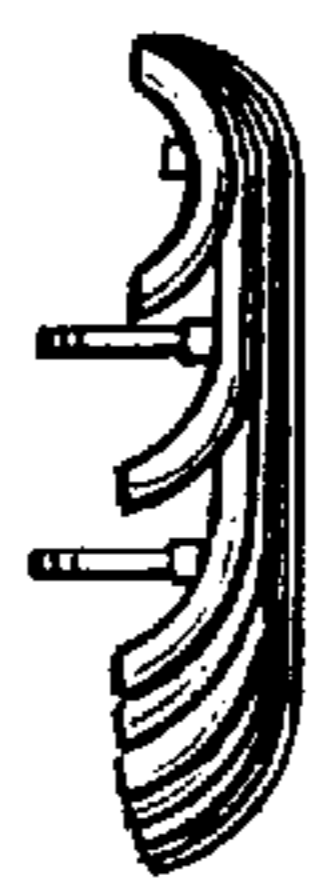
**1 Claim, 2 Drawing Sheets**





*FIG. 1*

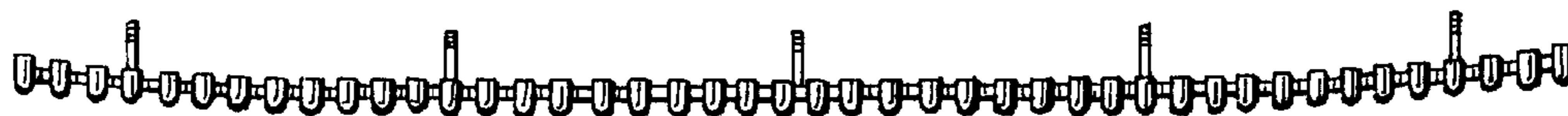
*FIG. 2*



*FIG. 3*



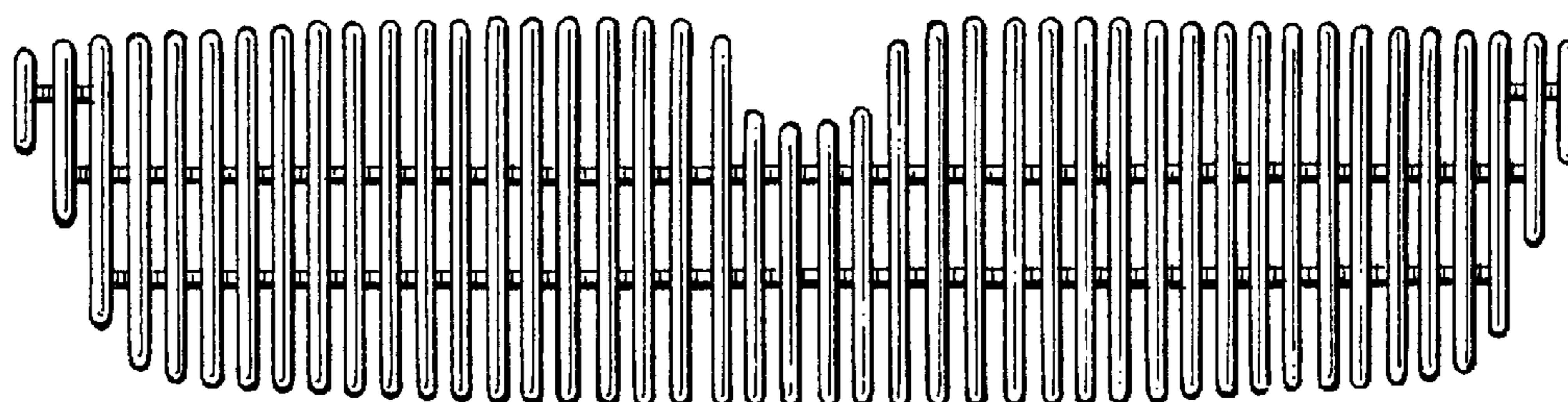
*FIG. 4*



*FIG. 5*



*FIG. 6*



*FIG. 7*

