



US00D475328S

(12) **United States Design Patent**  
**Murguia**

(10) **Patent No.:** **US D475,328 S**

(45) **Date of Patent:** **\*\* Jun. 3, 2003**

(54) **HITCH COVER**

D462,303 S \* 9/2002 Swiggart ..... D12/162

(76) Inventor: **Manuel Murguia**, 7239 Redwood Ave.,  
Hesperia, CA (US) 92345

\* cited by examiner

(\*\*) Term: **14 Years**

*Primary Examiner*—Stacia Cadmus

(74) *Attorney, Agent, or Firm*—Goldstein & Lavas, P.C.

(21) Appl. No.: **29/171,598**

(57) **CLAIM**

(22) Filed: **Nov. 25, 2002**

The ornamental design for a hitch cover, as shown and described.

(51) **LOC (7) Cl.** ..... **12-16**

**DESCRIPTION**

(52) **U.S. Cl.** ..... **D12/162**

(58) **Field of Search** ..... D12/162; 280/415,  
280/416-416.3, 504, 510-513, 493-495,  
477, 507; D29/102-104

FIG. 1 is a perspective view of the hitch cover in full lines with a plug shown in broken lines in FIGS. 1, 3-7 representing environmental association matter being for illustrative purposes only and forming no part of the claimed invention.

(56) **References Cited**

**U.S. PATENT DOCUMENTS**

4,738,293 A	4/1988	Ostrom	150/52
4,800,471 A	1/1989	Lippert	362/80
D358,794 S	* 5/1995	Thigpen	D12/162
D392,926 S	* 3/1998	Adelaar	D12/162
D417,177 S	11/1999	Contreras	D12/162
D452,205 S	* 12/2001	Eisenbraun	D12/162
D456,321 S	* 4/2002	Sammons et al.	D12/162

FIG. 2 is a front elevational view thereof.

FIG. 3 is a rear elevational view thereof.

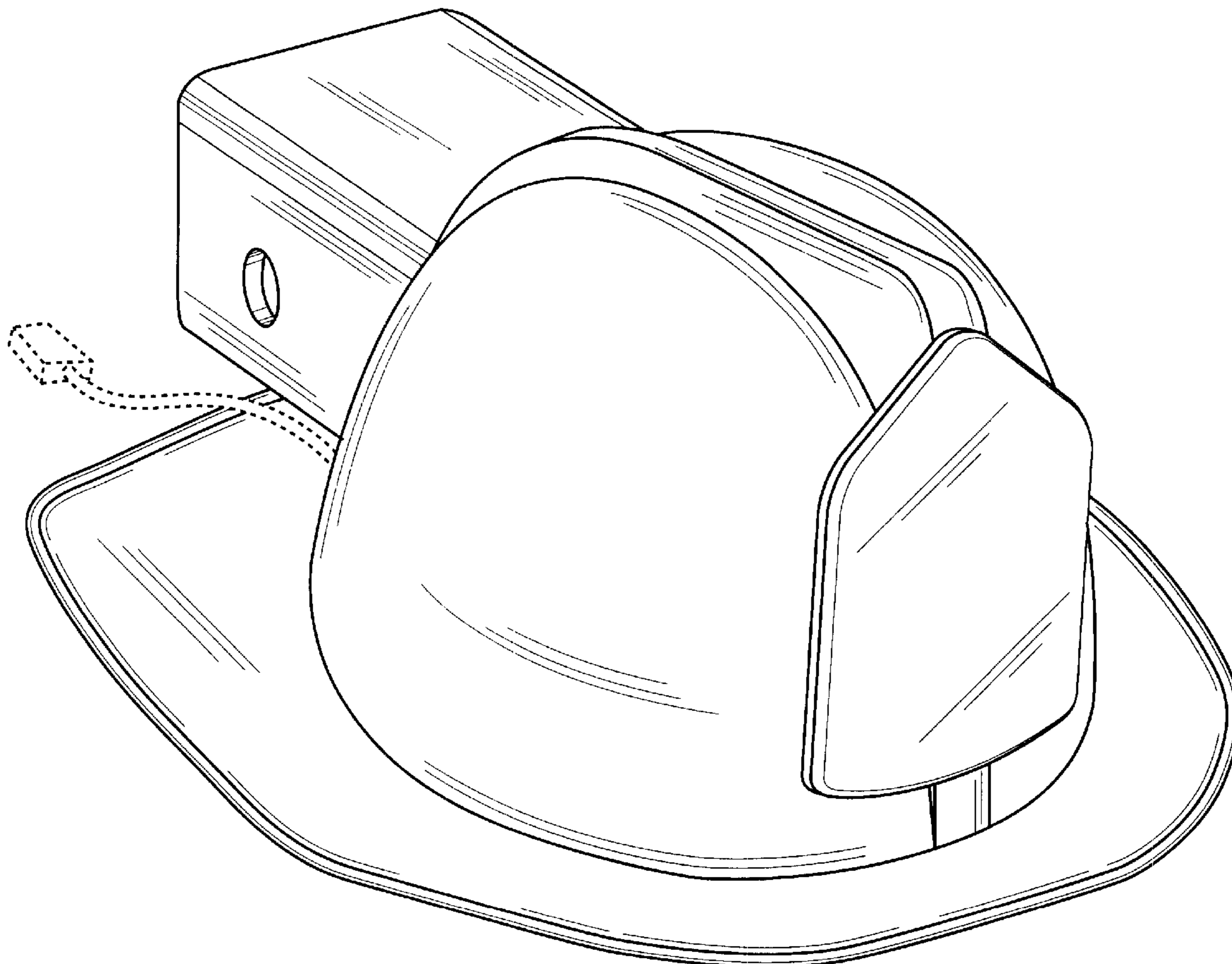
FIG. 4 is a right side elevational view thereof.

FIG. 5 is a left side elevational view thereof.

FIG. 6 is a top plan view of the hitch cover; and,

FIG. 7 is a bottom plan view thereof.

**1 Claim, 5 Drawing Sheets**



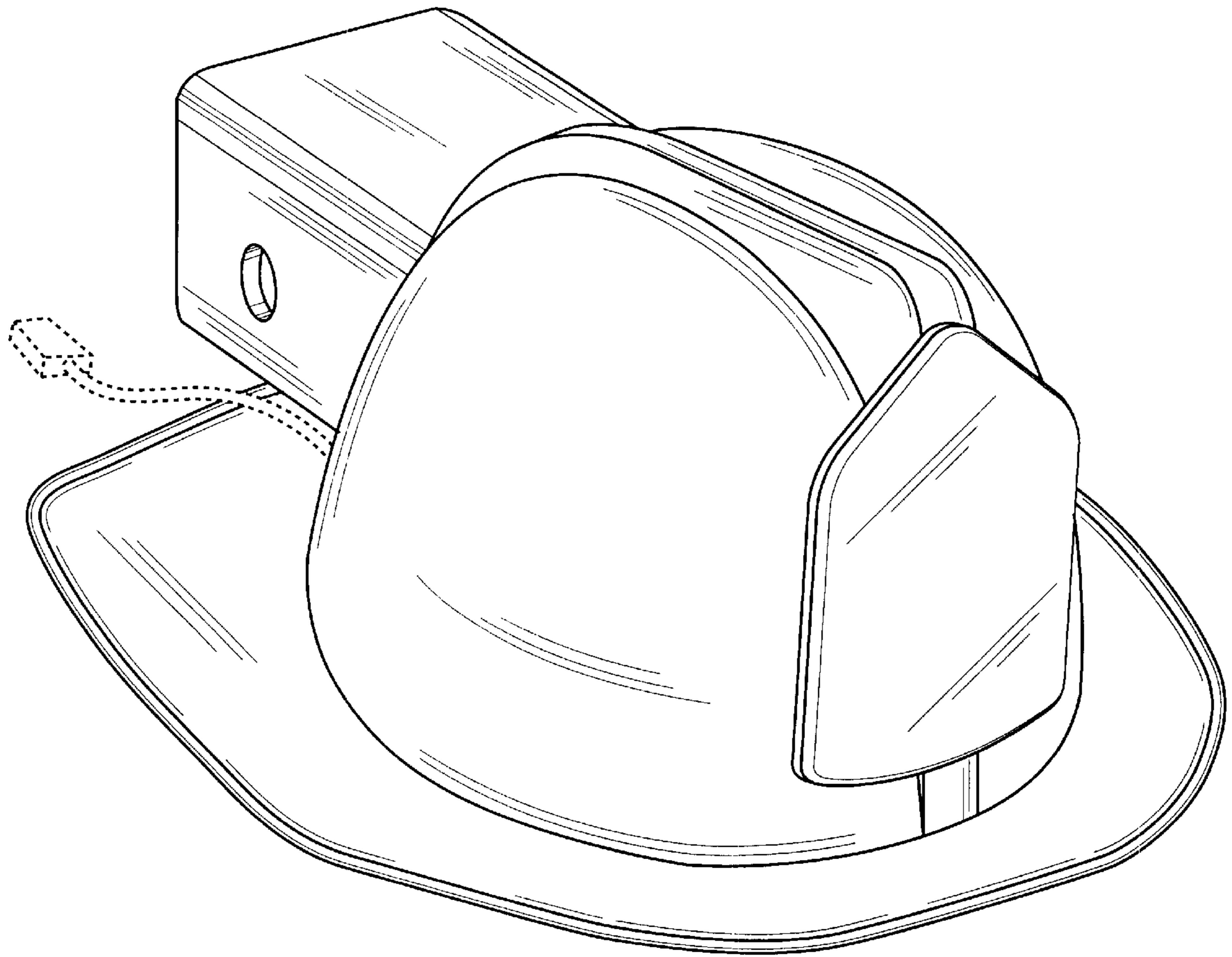


FIG. 1

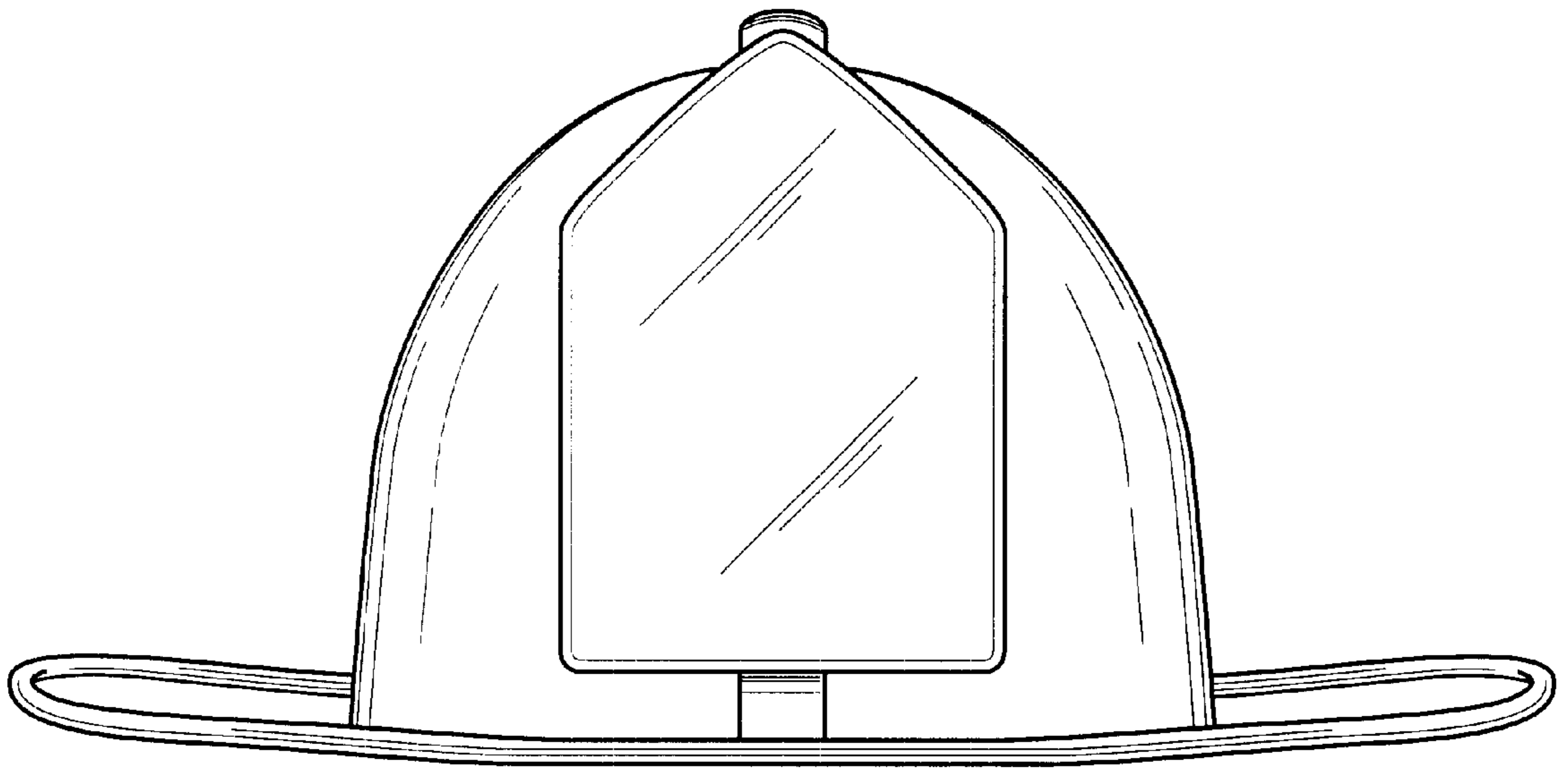


FIG. 2

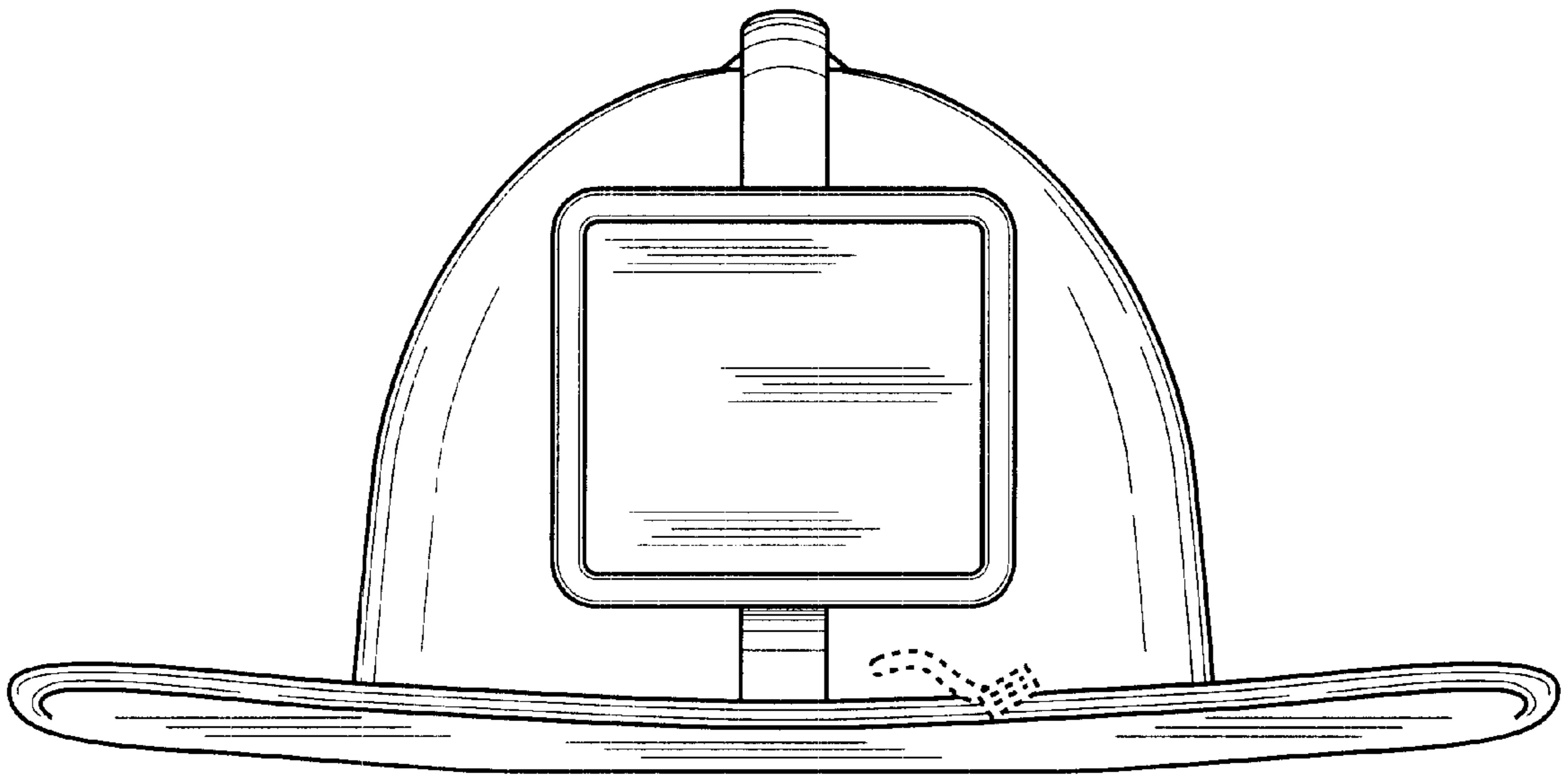


FIG. 3

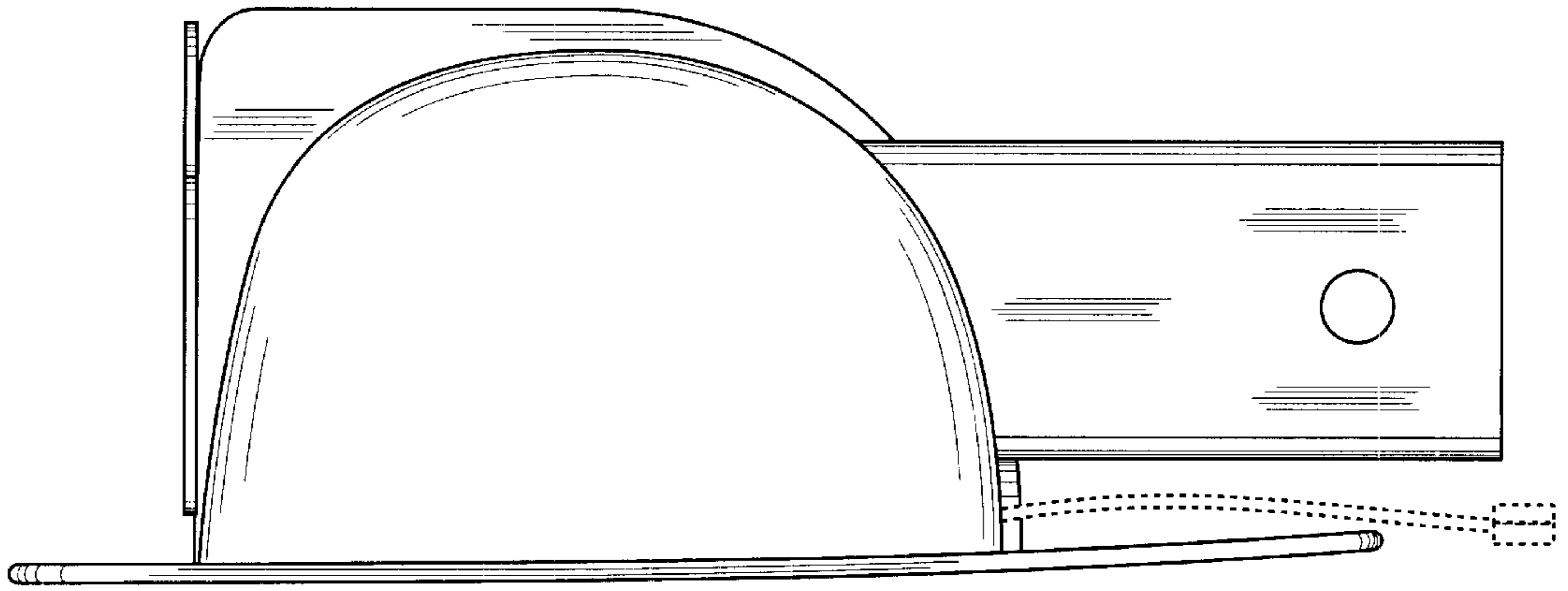


FIG. 4

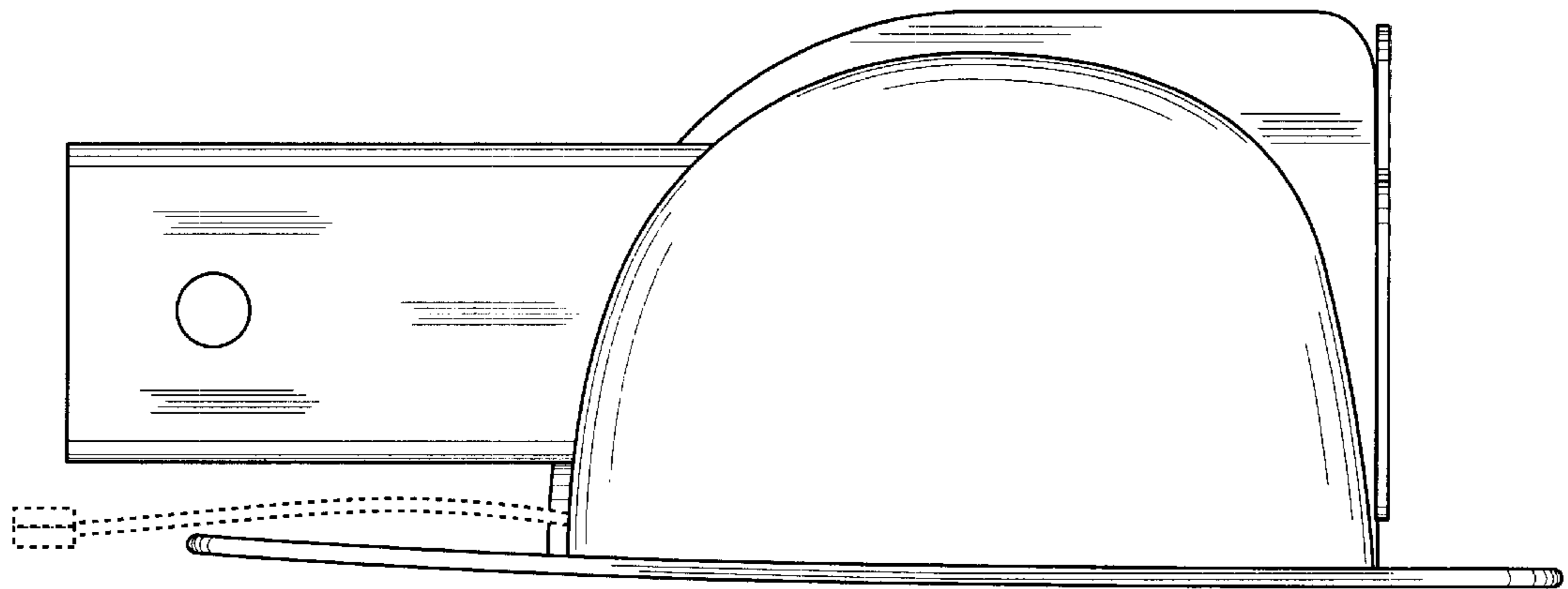


FIG. 5

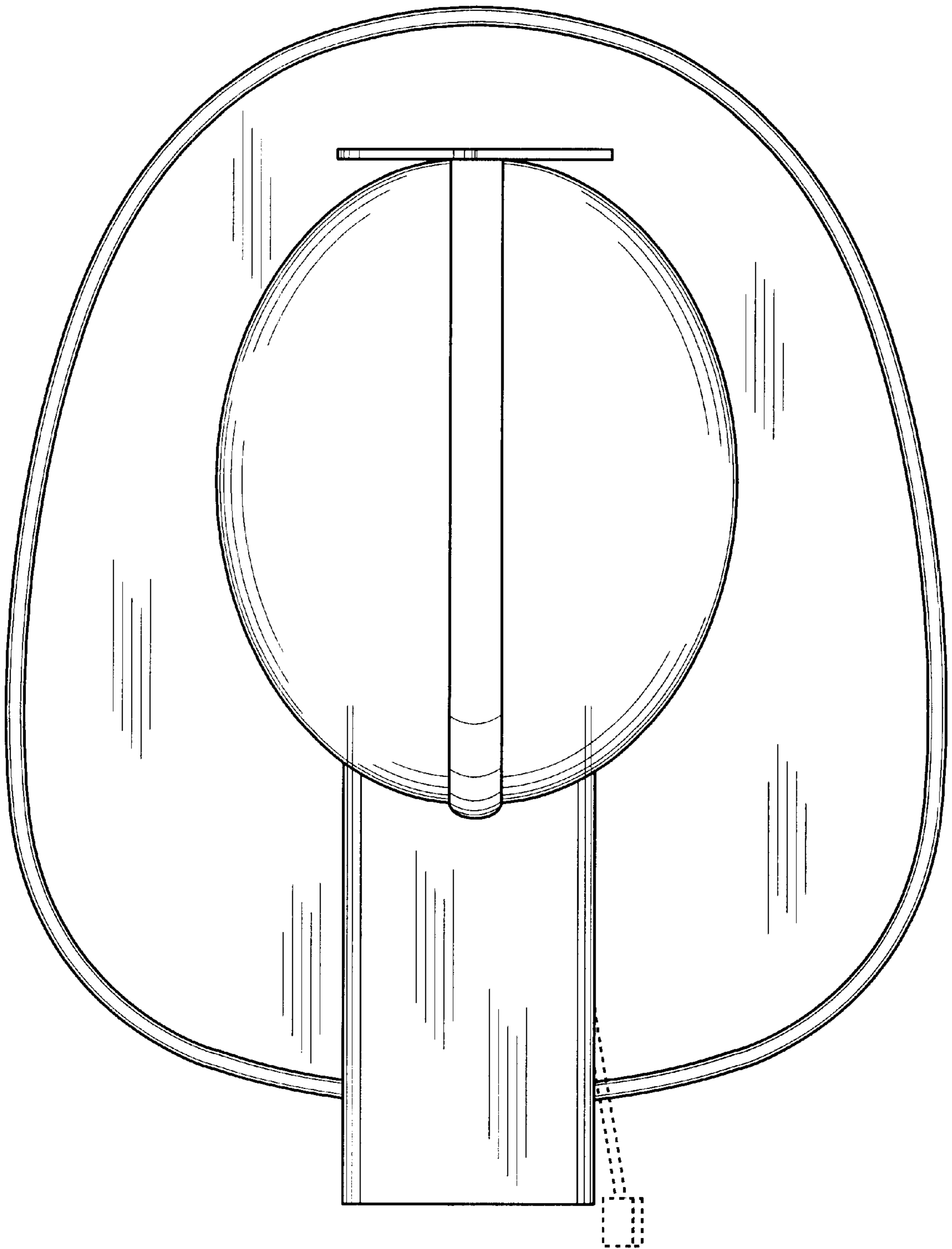


FIG. 6



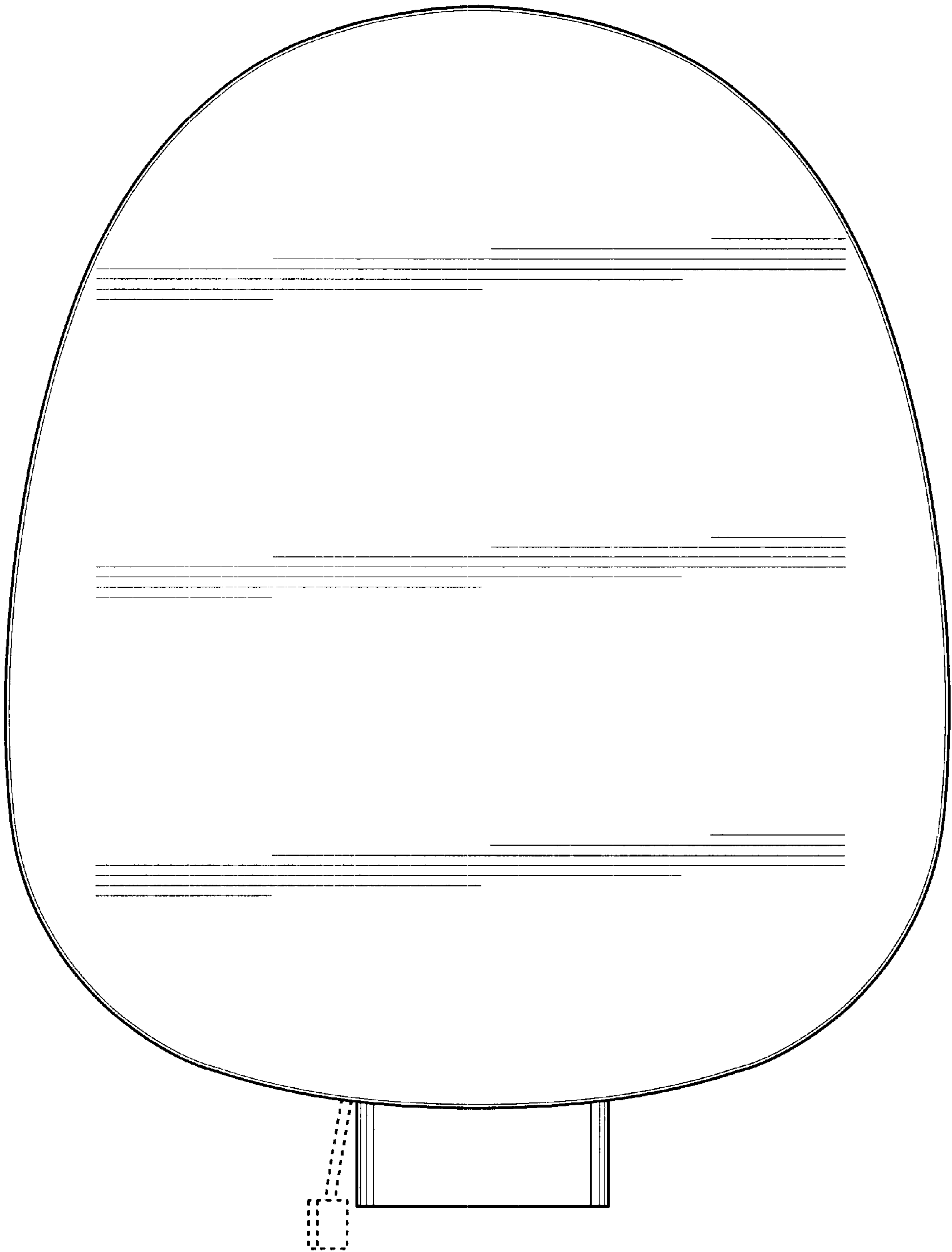


FIG. 7