



US00D475327S

(12) **United States Design Patent**
McCoy et al.

(10) **Patent No.:** **US D475,327 S**

(45) **Date of Patent:** **** Jun. 3, 2003**

(54) **HITCH BAR**

(75) **Inventors:** **Richard W. McCoy**, Granger, IN (US);
Thomas W. Lindenman, South Bend,
IN (US); **Michael A. Hoopes**, White
Pigeon, MI (US)

(73) **Assignee:** **Reese Products Inc.**, Elkhart, IN (US)

(**) **Term:** **14 Years**

(21) **Appl. No.:** **29/166,904**

(22) **Filed:** **Sep. 5, 2002**

(51) **LOC (7) Cl.** **12-16**

(52) **U.S. Cl.** **D12/162**

(58) **Field of Search** D12/162, 400,
D12/223; D8/381; 280/490.1, 491.2, 457,
461.1, 495, 497, 511, 292, 483

(56) **References Cited**

U.S. PATENT DOCUMENTS

- D142,882 S 11/1945 Martin
- 2,549,734 A 4/1951 White
- 3,664,686 A 5/1972 Anderson
- 4,033,601 A 7/1977 Lindahl et al.
- D358,321 S 5/1995 Tayar
- D369,581 S * 5/1996 McCoy et al. D12/162

- D369,582 S * 5/1996 McCoy et al. D12/162
- D397,067 S * 8/1998 McCoy et al. D12/162
- 6,010,142 A * 1/2000 McCoy et al. 280/490.1

FOREIGN PATENT DOCUMENTS

- CA 594646 9/1956
- GB 1 208 344 10/1970

* cited by examiner

Primary Examiner—Stacia Cadmus

(74) *Attorney, Agent, or Firm*—King & Schickli PLLC

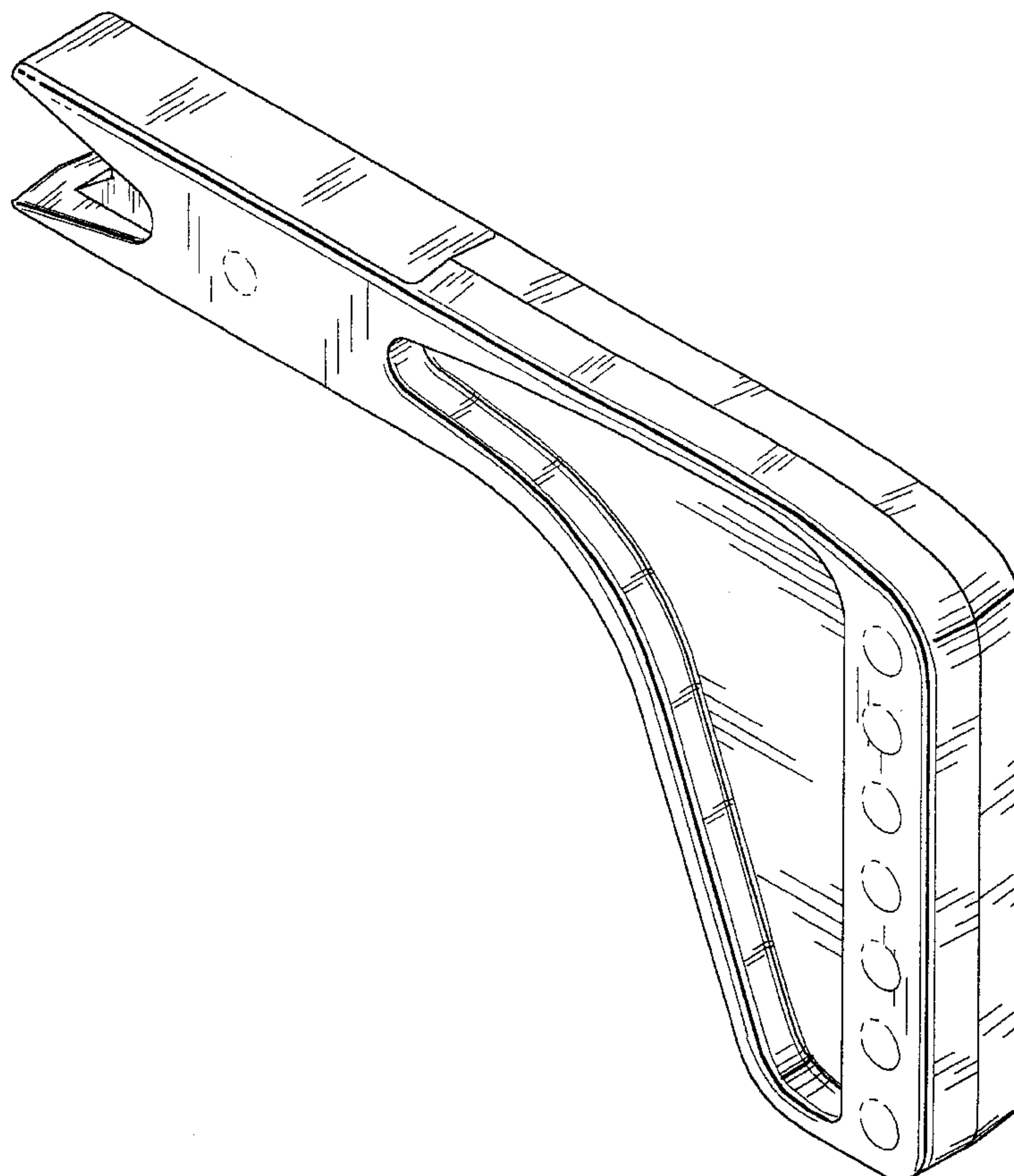
(57) **CLAIM**

The ornamental design for a hitch bar, as shown and described.

DESCRIPTION

FIG. 1 is a perspective view of the hitch bar of the present invention;
 FIG. 2 is a right side elevational view thereof;
 FIG. 3 is a bottom plan view thereof;
 FIG. 4 is a top plan view thereof;
 FIG. 5 is a front elevational view thereof; and,
 FIG. 6 is a rear elevational view thereof.
 The broken line showing of environment is for illustrative purposes only and forms no part of the claimed design.

1 Claim, 3 Drawing Sheets



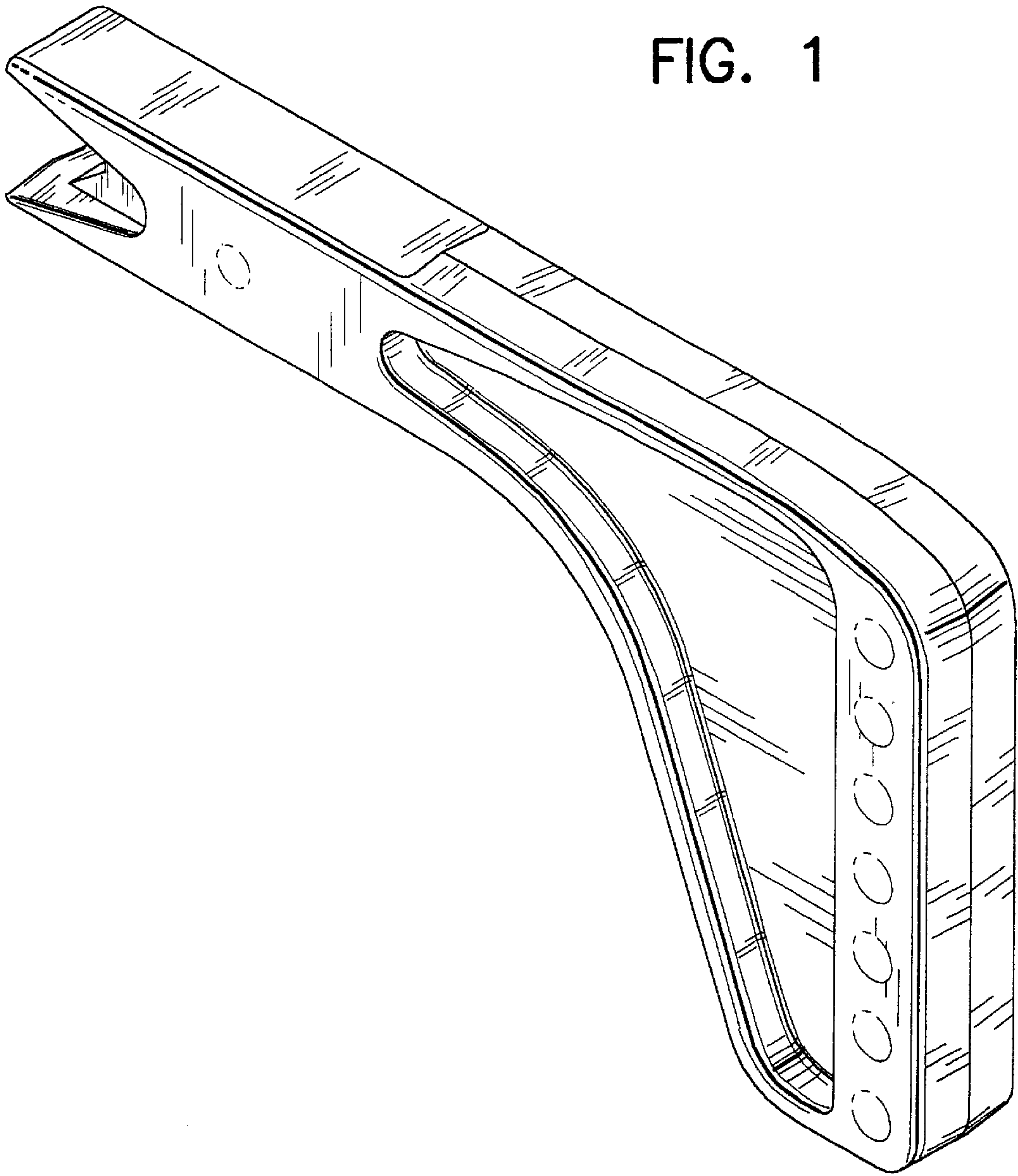


FIG. 1

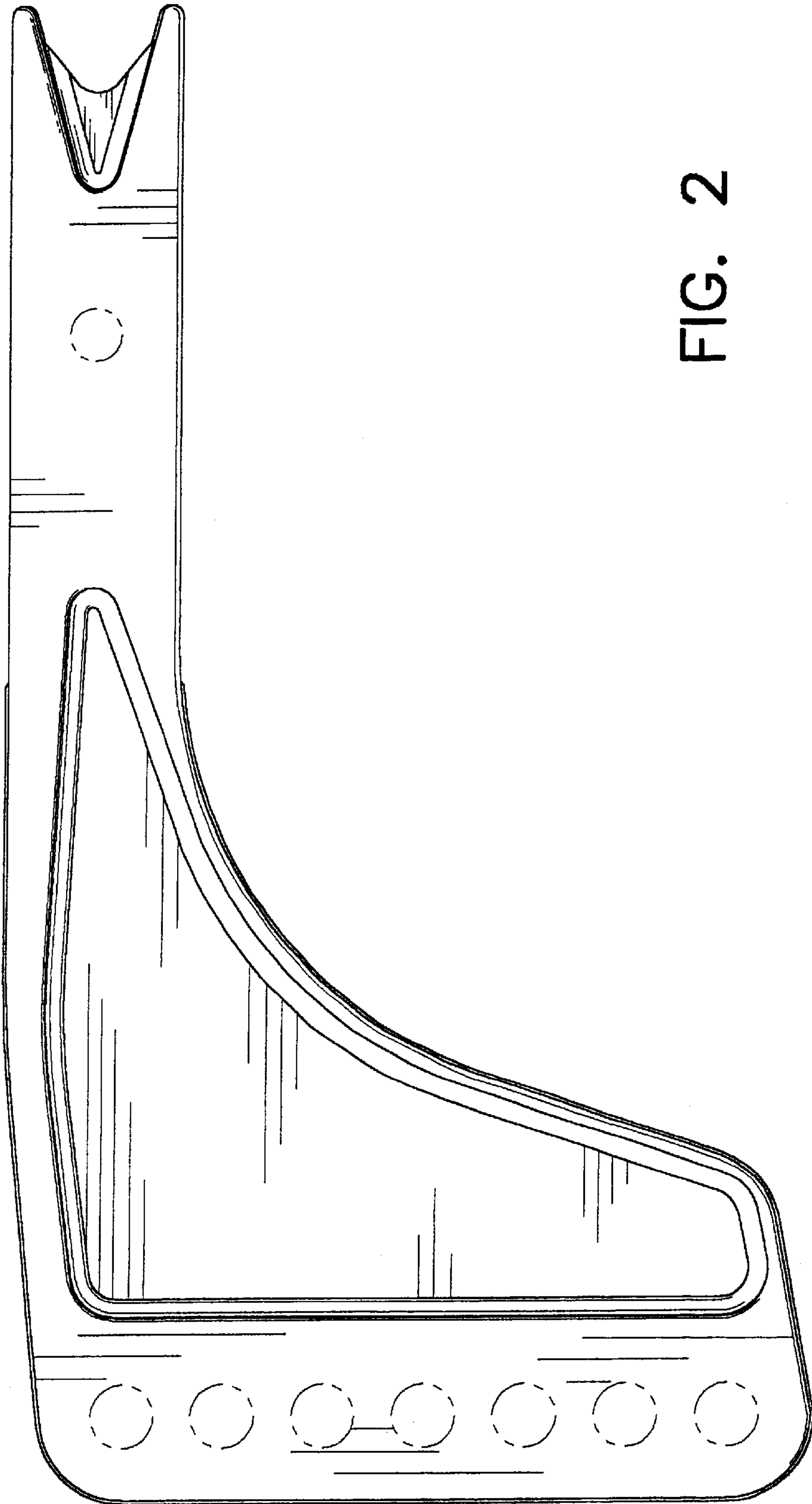


FIG. 2

FIG. 3

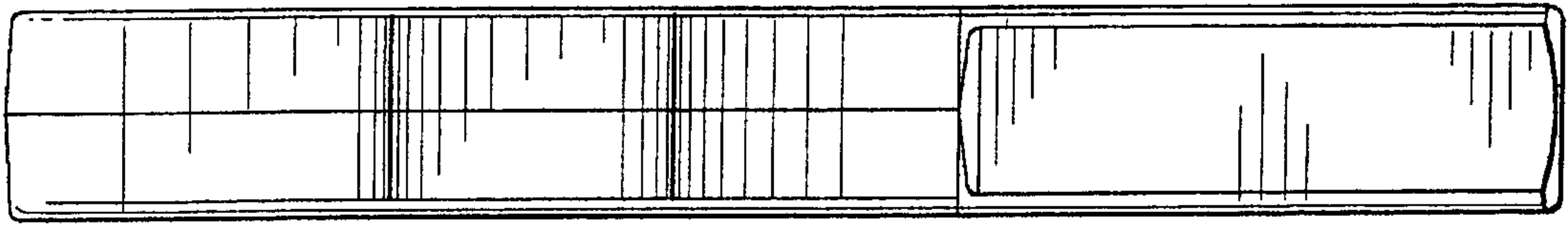


FIG. 4

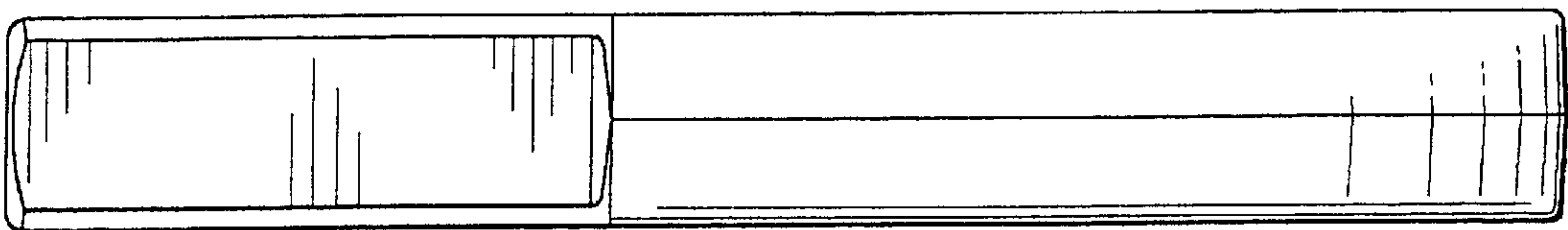


FIG. 5

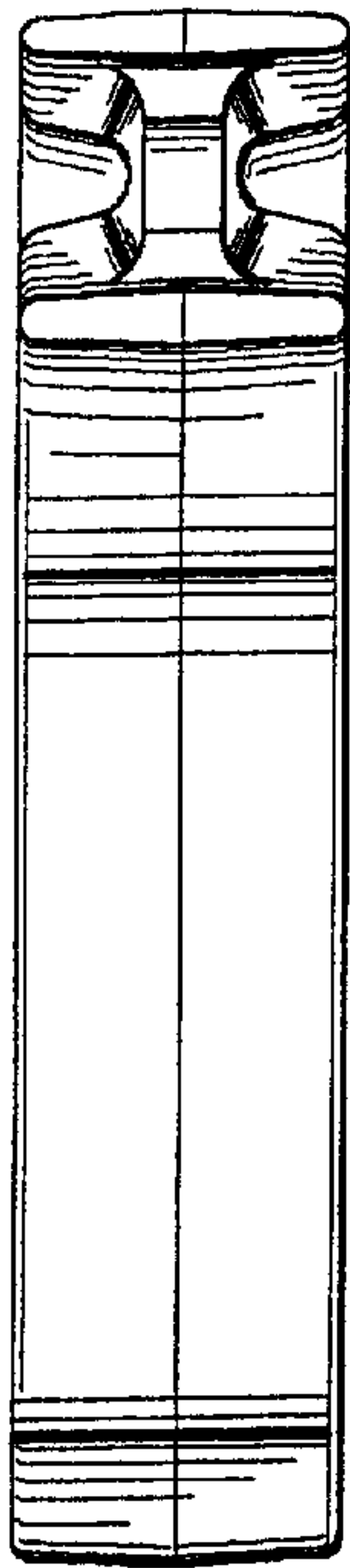


FIG. 6

