



US00D475324S

(12) **United States Design Patent**  
**Hallgrimsson**

(10) **Patent No.:** **US D475,324 S**

(45) **Date of Patent:** **\*\* Jun. 3, 2003**

(54) **REAR FORK**

(75) Inventor: **Bjarki Hallgrimsson, Ottawa (CA)**

(73) Assignee: **Random Products Trust, Bridetown (BB)**

(\*\*) Term: **14 Years**

(21) Appl. No.: **29/126,237**

(22) Filed: **Jul. 10, 2000**

(30) **Foreign Application Priority Data**

Jan. 25, 2000 (CA) ..... 2000-0169

(51) **LOC (7) Cl.** ..... **12-12**

(52) **U.S. Cl.** ..... **D12/133; D12/118**

(58) **Field of Search** ..... D12/111, 117,  
D12/118, 130, 131, 133; 280/284-288,  
288.1-288.3, 288.4, 250.1, 304.1; 285/21,  
286, 287, 331; 297/DIG. 4, 423.19; 135/65-67;  
16/44

(56) **References Cited**

**U.S. PATENT DOCUMENTS**

D30,914 S \* 5/1899 Burnham ..... D12/118

D89,135 S \* 1/1933 Lewis ..... D12/118  
4,813,591 A \* 3/1989 Mueller et al. .... 280/288 X  
5,271,784 A \* 12/1993 Chen et al. .... 280/288.3 X  
D361,048 S \* 8/1995 LaRiviere ..... D12/118  
D387,705 S \* 12/1997 Cook ..... D12/118  
D423,993 S \* 5/2000 Slagerman ..... D12/133  
D429,665 S \* 8/2000 Dickie ..... D12/133

\* cited by examiner

*Primary Examiner*—Alan P. Douglas

*Assistant Examiner*—Linda Brooks

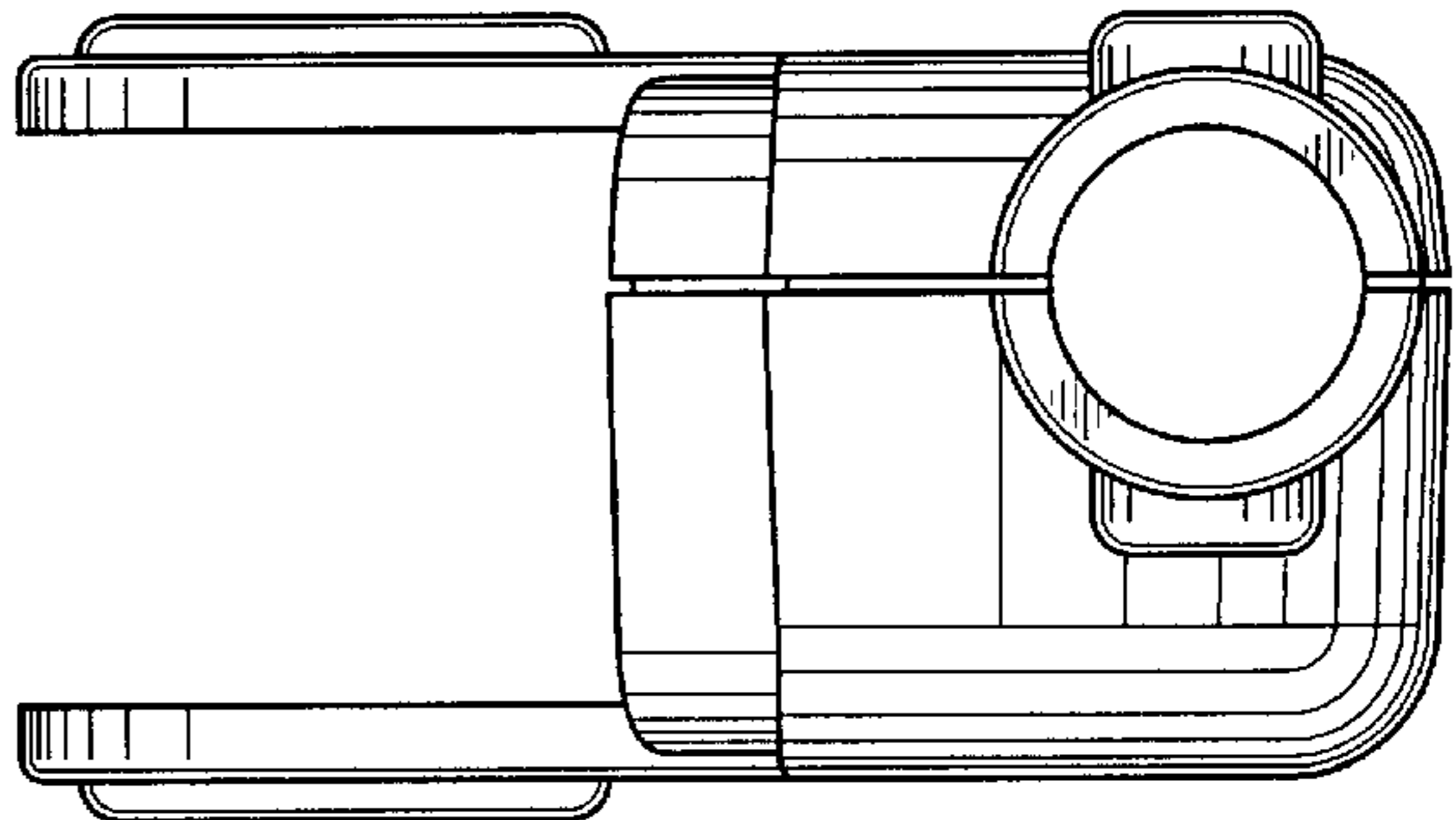
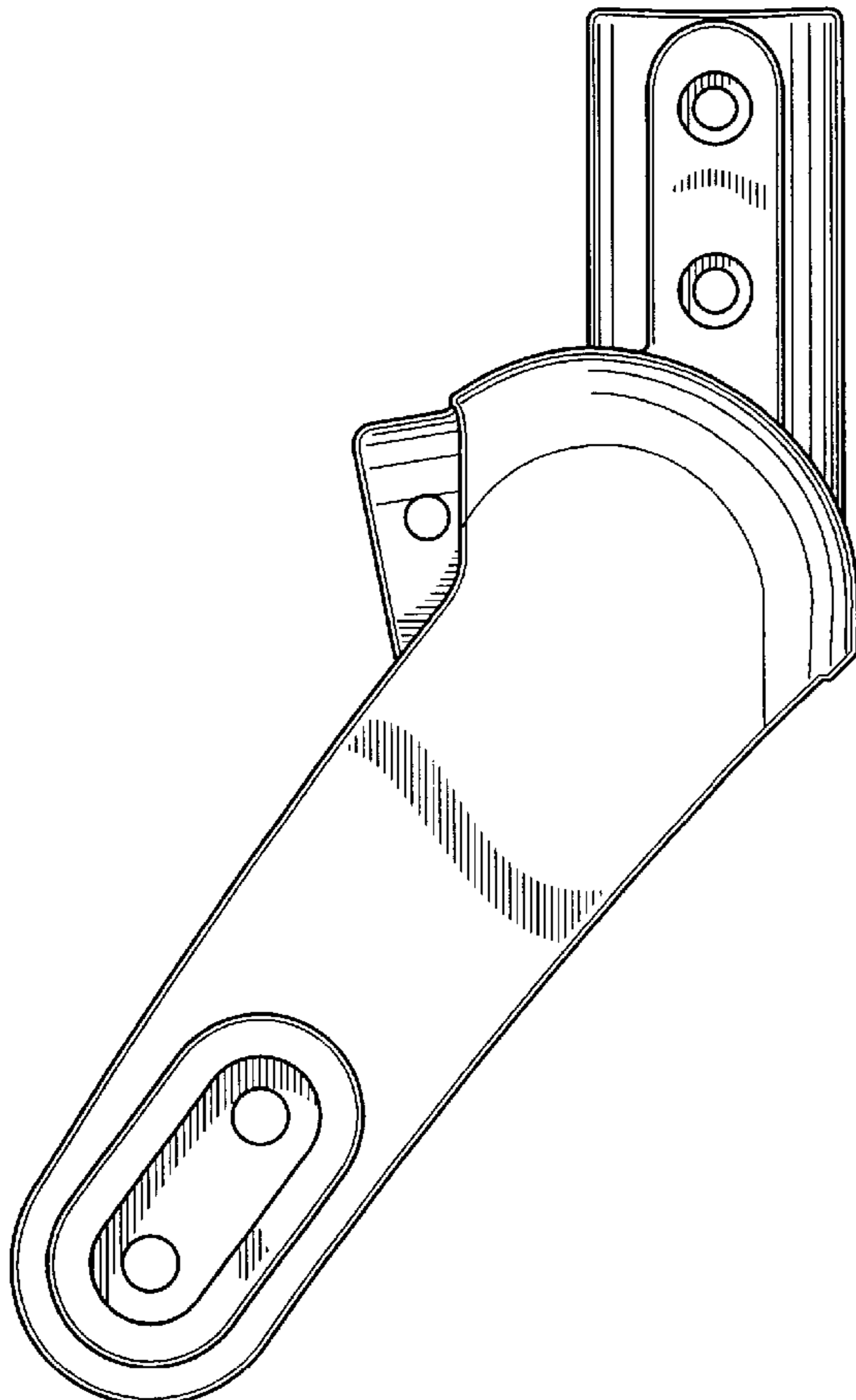
(57) **CLAIM**

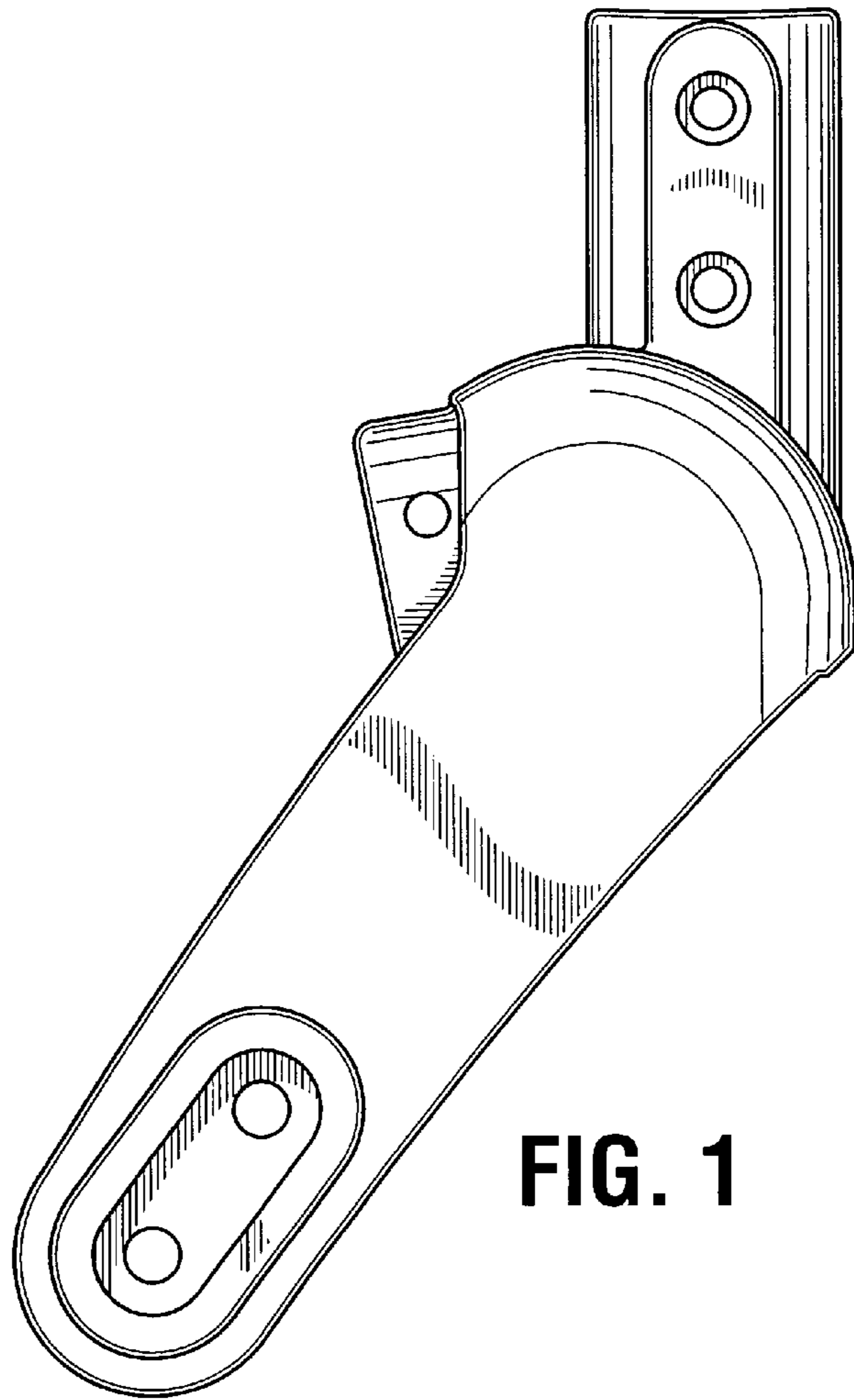
The ornamental design for a rear fork, as shown and described.

**DESCRIPTION**

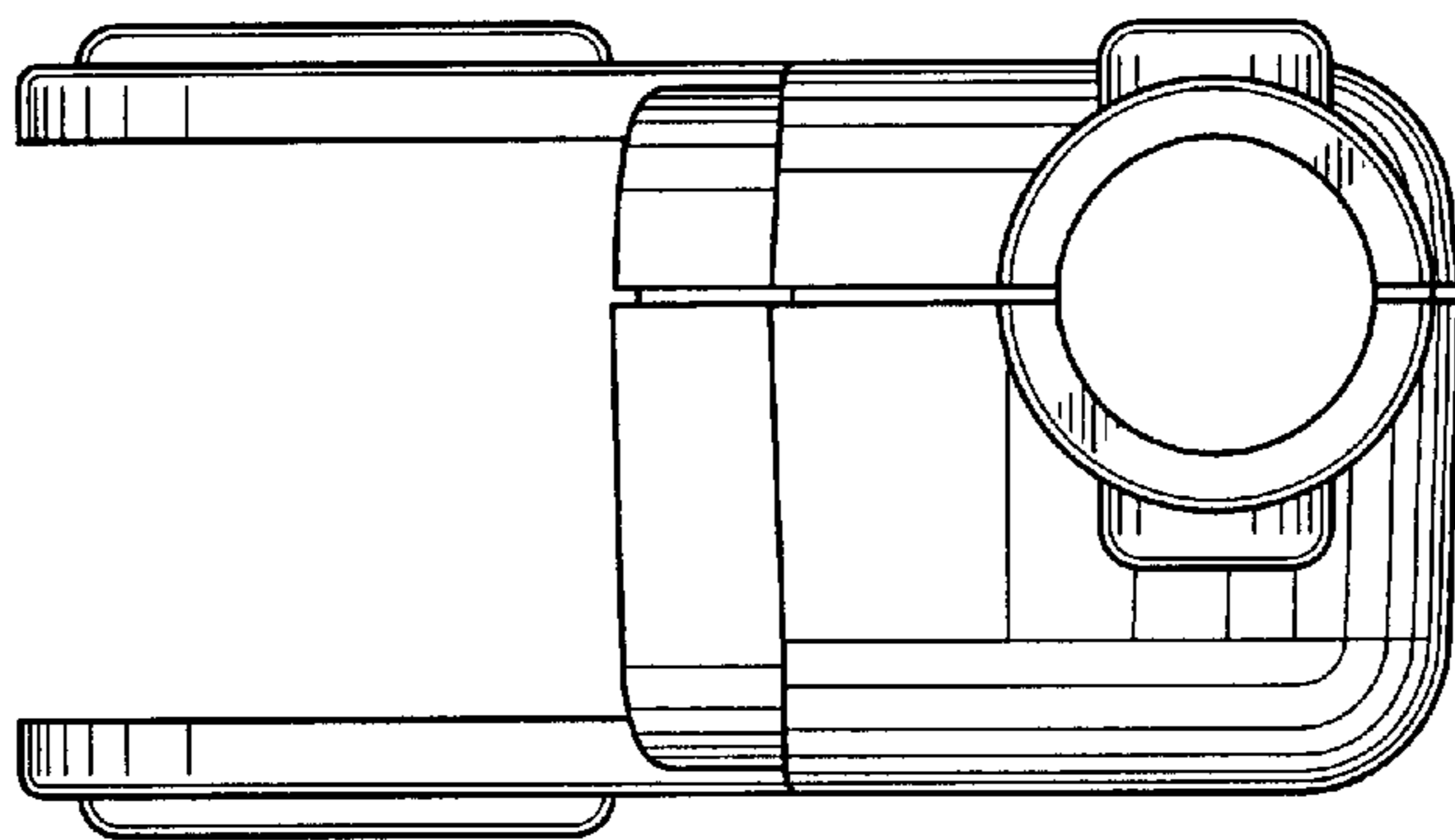
FIG. 1 is a side view of the rear fork showing my new design;  
FIG. 2 is a top view thereof;  
FIG. 3 is a bottom view thereof;  
FIG. 4 is a front view thereof;  
FIG. 5 is a rear view thereof; and,  
FIG. 6 is a side view showing the side opposite to FIG. 1 thereof.

**1 Claim, 3 Drawing Sheets**

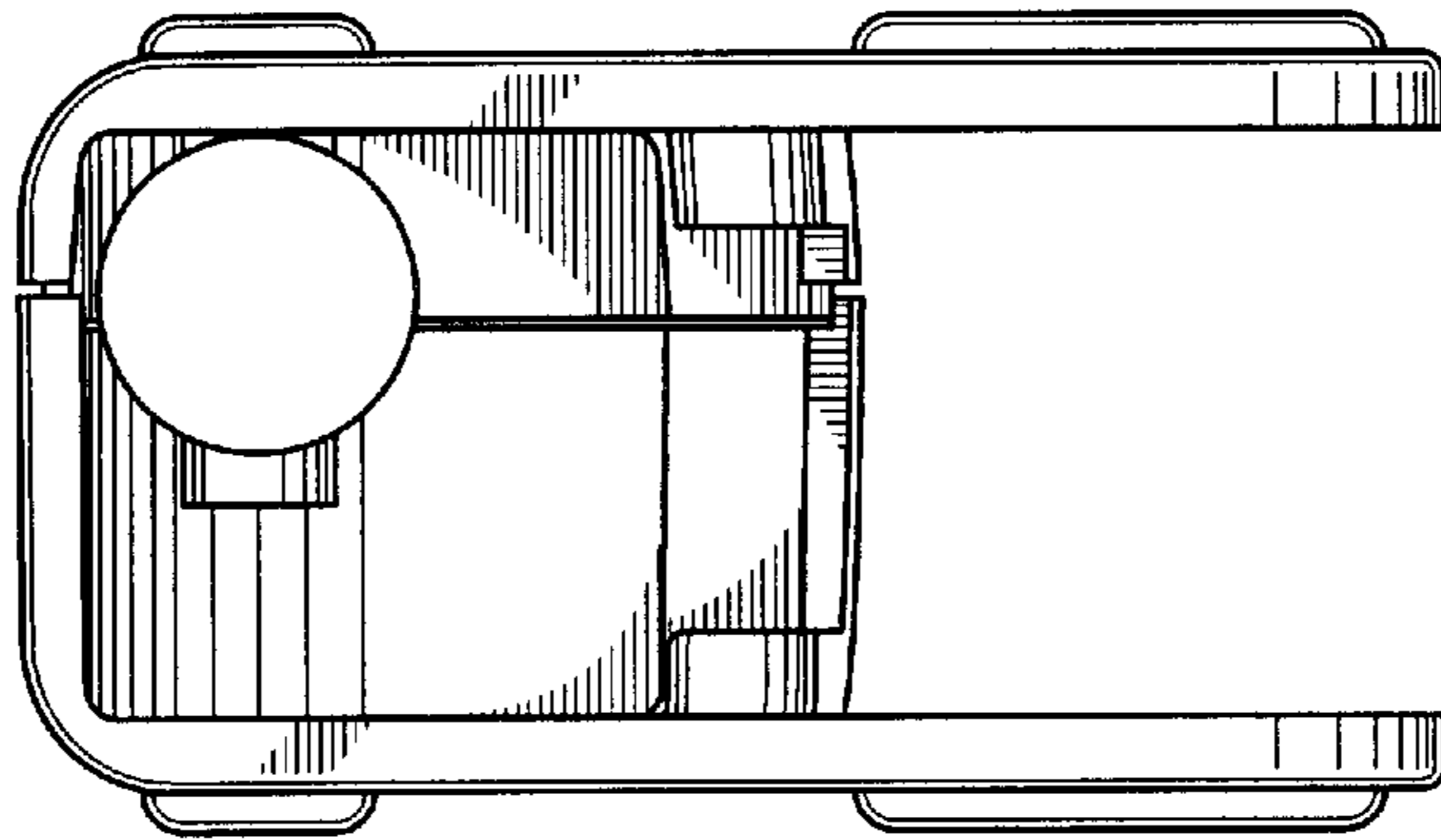




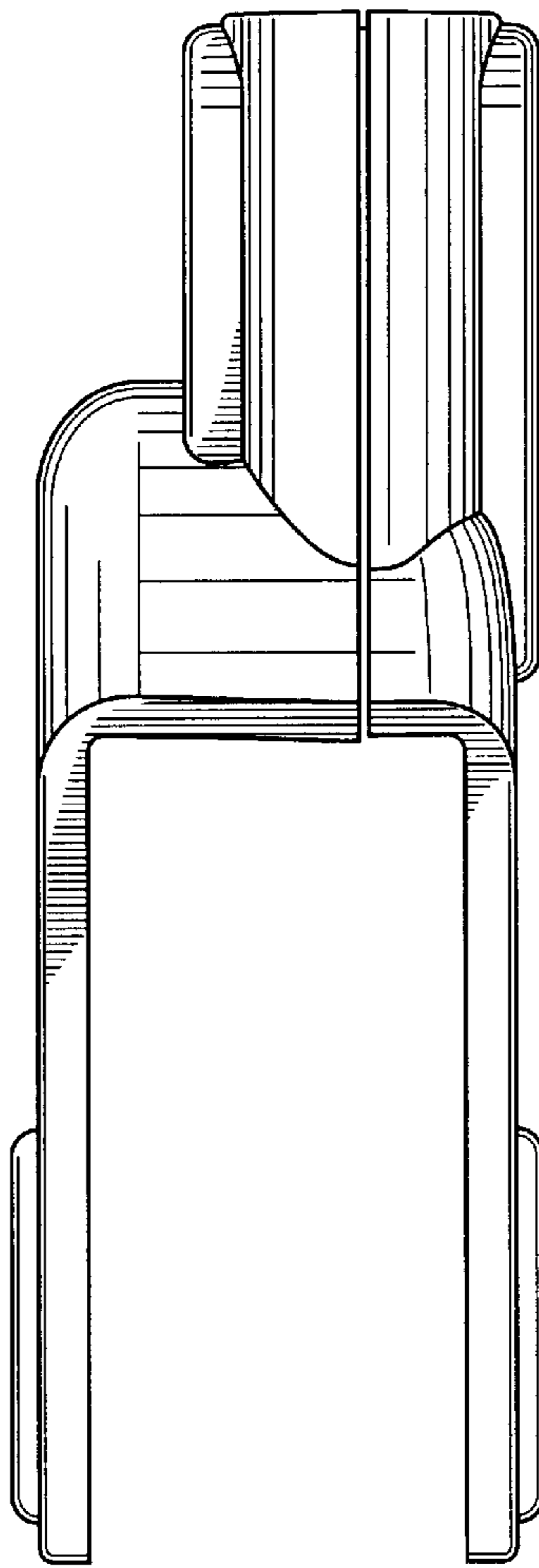
**FIG. 1**



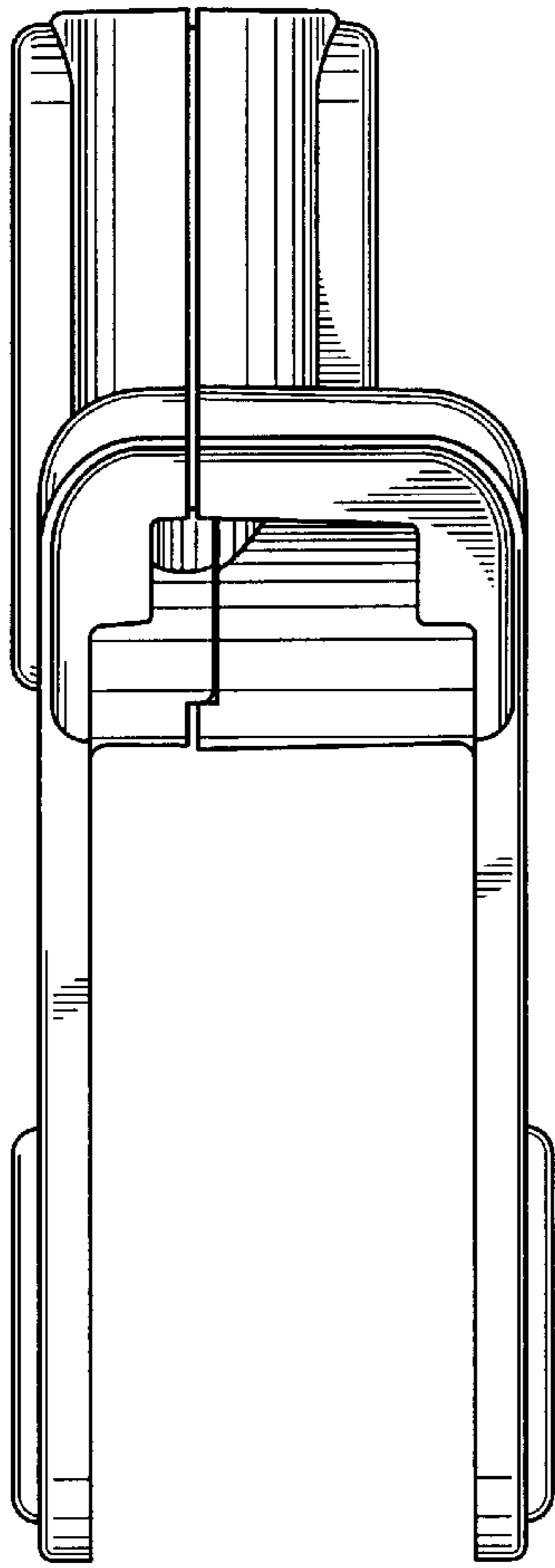
**FIG. 2**



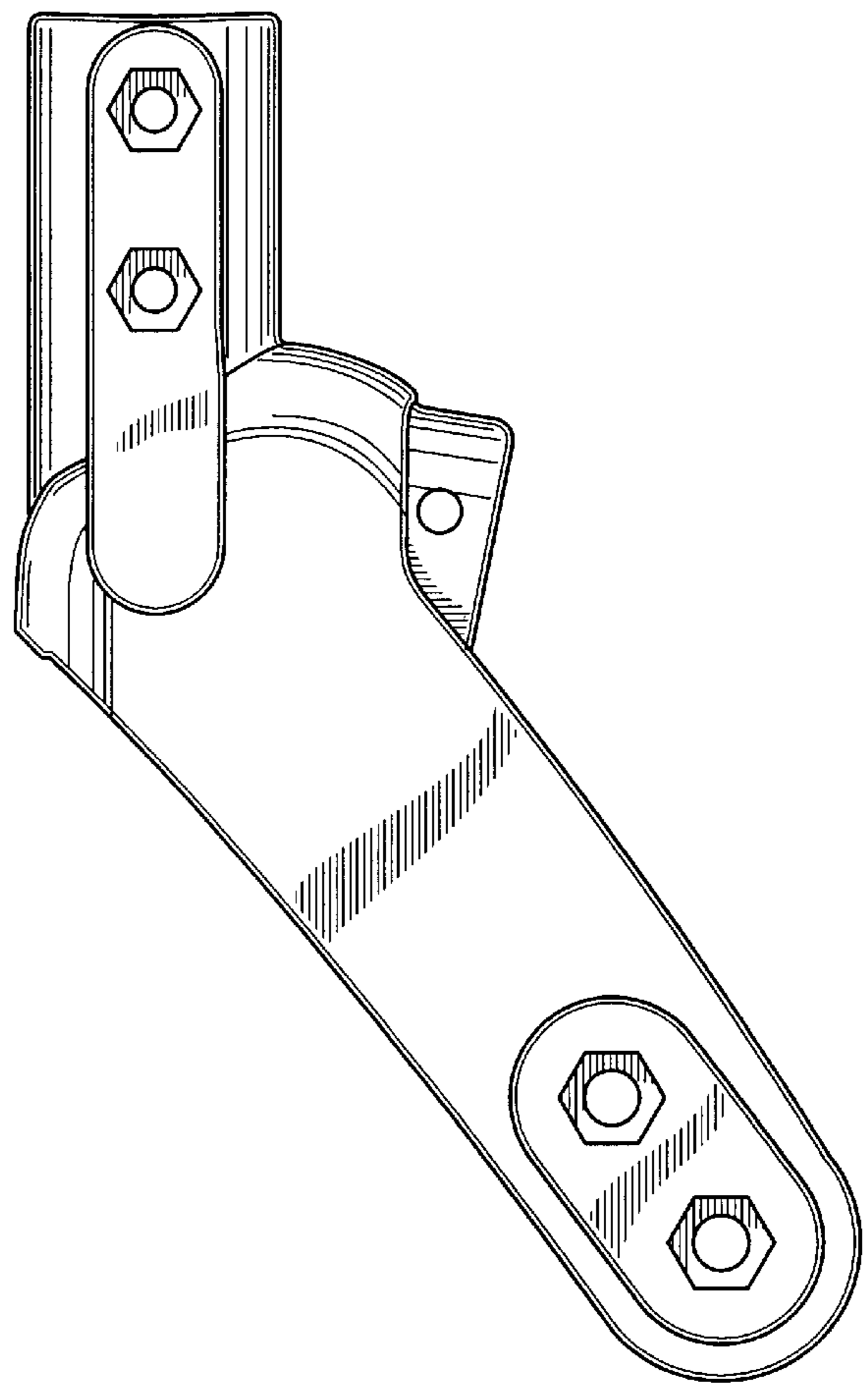
**FIG. 3**



**FIG. 4**



**FIG. 5**



**FIG. 6**