



US00D475323S

(12) **United States Design Patent**
Hallgrimsson

(10) **Patent No.:** **US D475,323 S**

(45) **Date of Patent:** **** Jun. 3, 2003**

(54) **WALKER**

(75) **Inventor:** **Bjarki Hallgrimsson, Ottawa (CA)**

(73) **Assignee:** **Random Products Trust, Bridetown (BB)**

(**) **Term:** **14 Years**

(21) **Appl. No.:** **29/163,648**

(22) **Filed:** **Jul. 11, 2002**

(51) **LOC (7) Cl.** **12-12**

(52) **U.S. Cl.** **D12/130**

(58) **Field of Search** **D12/128-133;**
135/65, 66, 67, 70; 428/66, 68, 69, 139;
280/47.27, 47.28, 47.29, 47.35; 5/86.1

(56) **References Cited**

U.S. PATENT DOCUMENTS

D375,708 S * 11/1996 Ahlbertz D12/130
D385,233 S * 10/1997 Doyle et al. D12/130
D395,853 S * 7/1998 Luo D12/130

D396,437 S * 7/1998 Liljedahl D12/130

D427,115 S * 6/2000 Kjell et al. D12/130

D441,694 S * 5/2001 Kjell et al. D12/130

D448,706 S * 10/2001 Ferm D12/130

D451,053 S * 11/2001 Hallgrimsson D12/130

* cited by examiner

Primary Examiner—Marcus A. Jackson

(57) **CLAIM**

The ornamental design for a walker, as shown and described.

DESCRIPTION

FIG. 1 is a side view of the walker showing my new design;
FIG. 2 is a top view thereof;
FIG. 3 is a bottom view thereof;
FIG. 4 is a front view thereof;
FIG. 5 is a rear view thereof;
FIG. 6 is a side view showing the side opposite to FIG. 1
thereof; and,
FIG. 7 is a perspective view thereof.

1 Claim, 4 Drawing Sheets



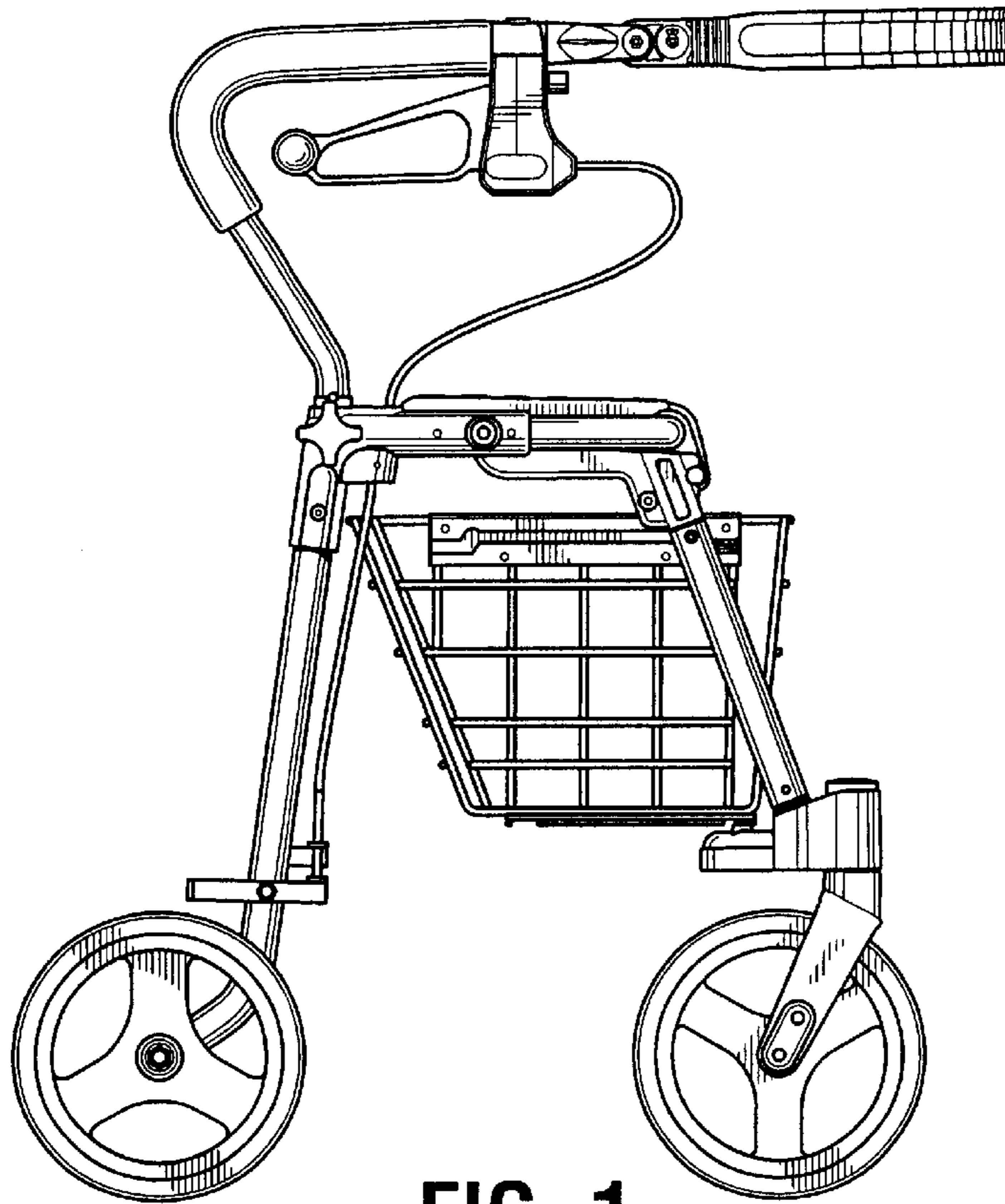


FIG. 1

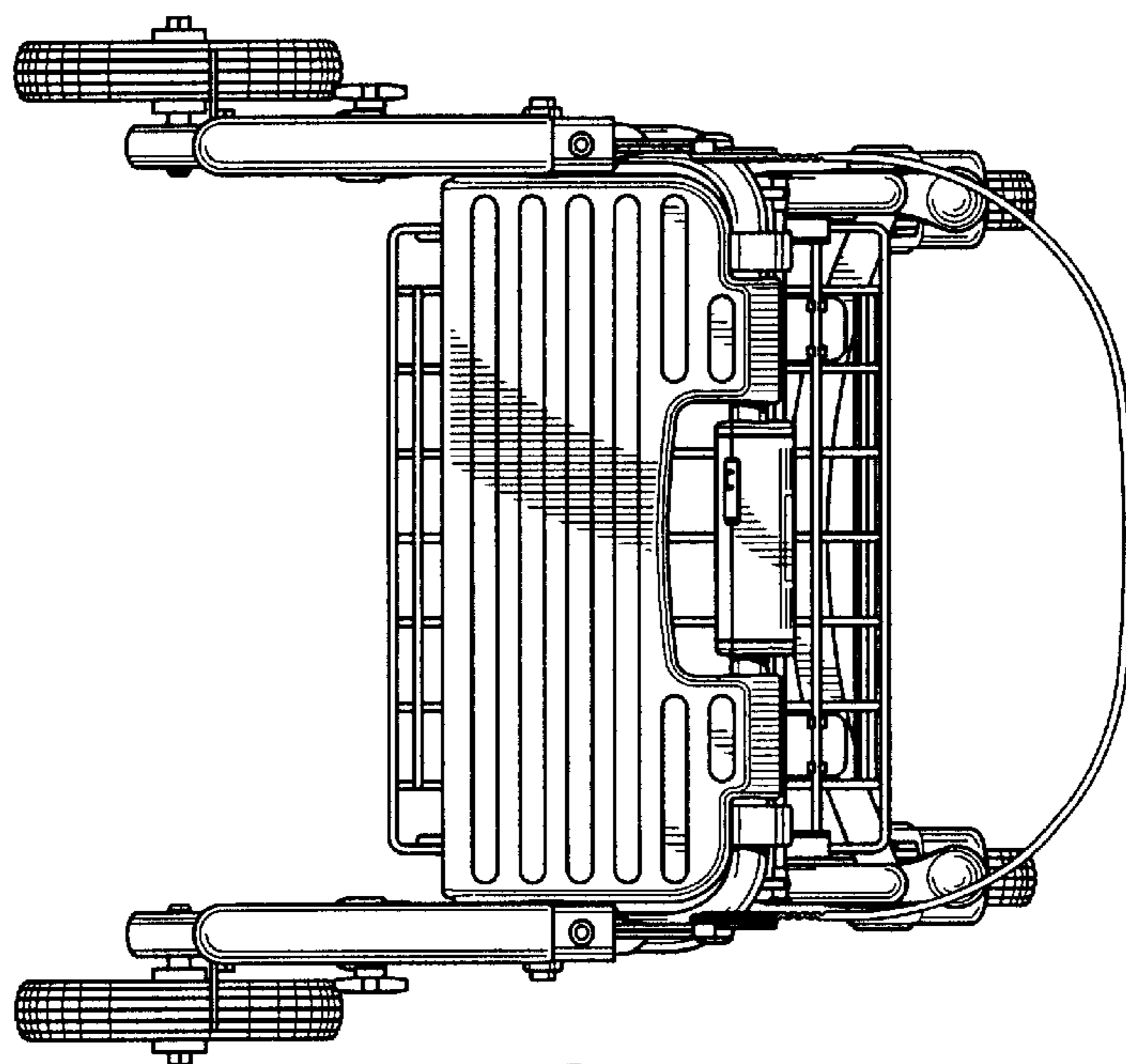


FIG. 2

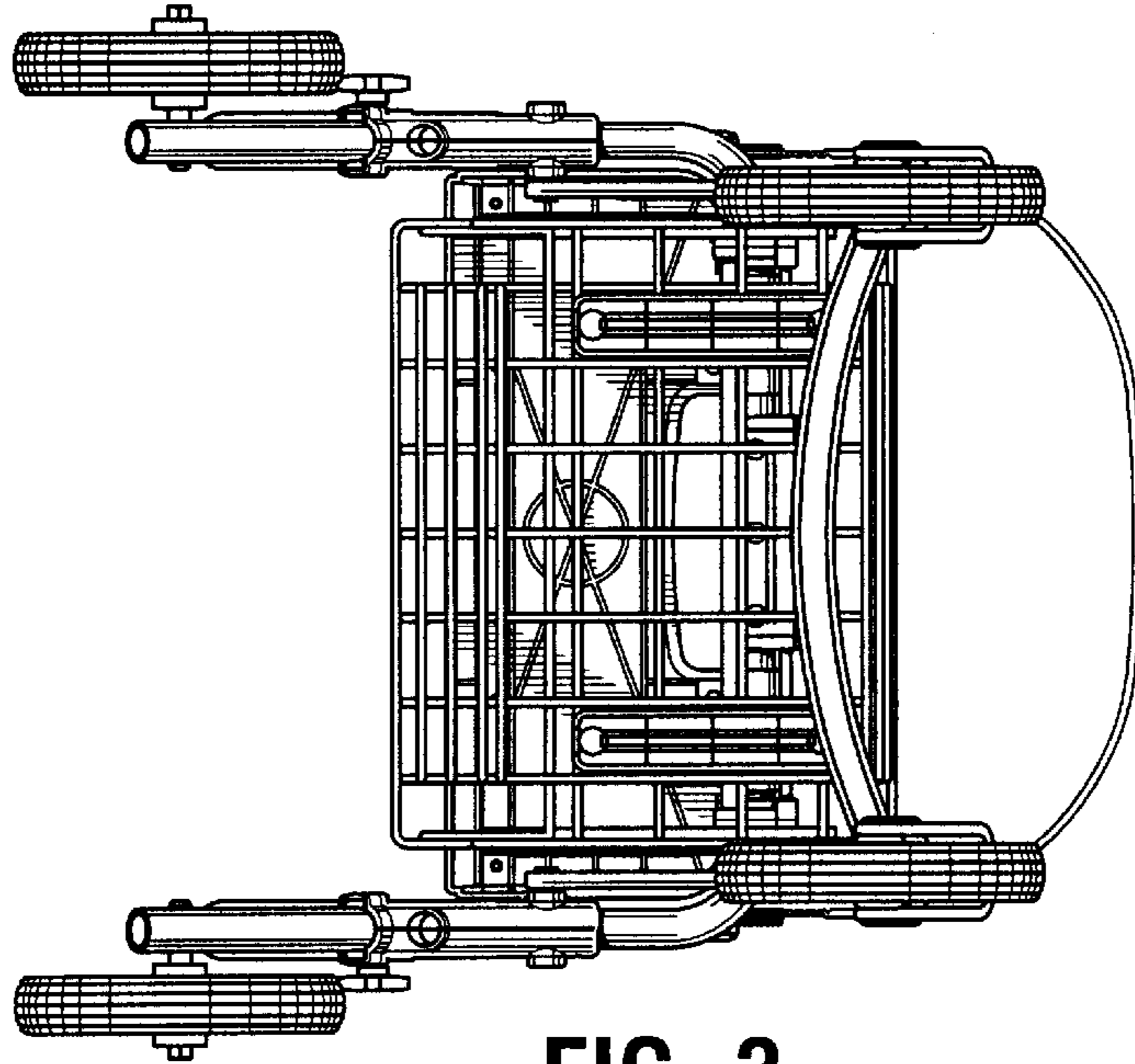


FIG. 3

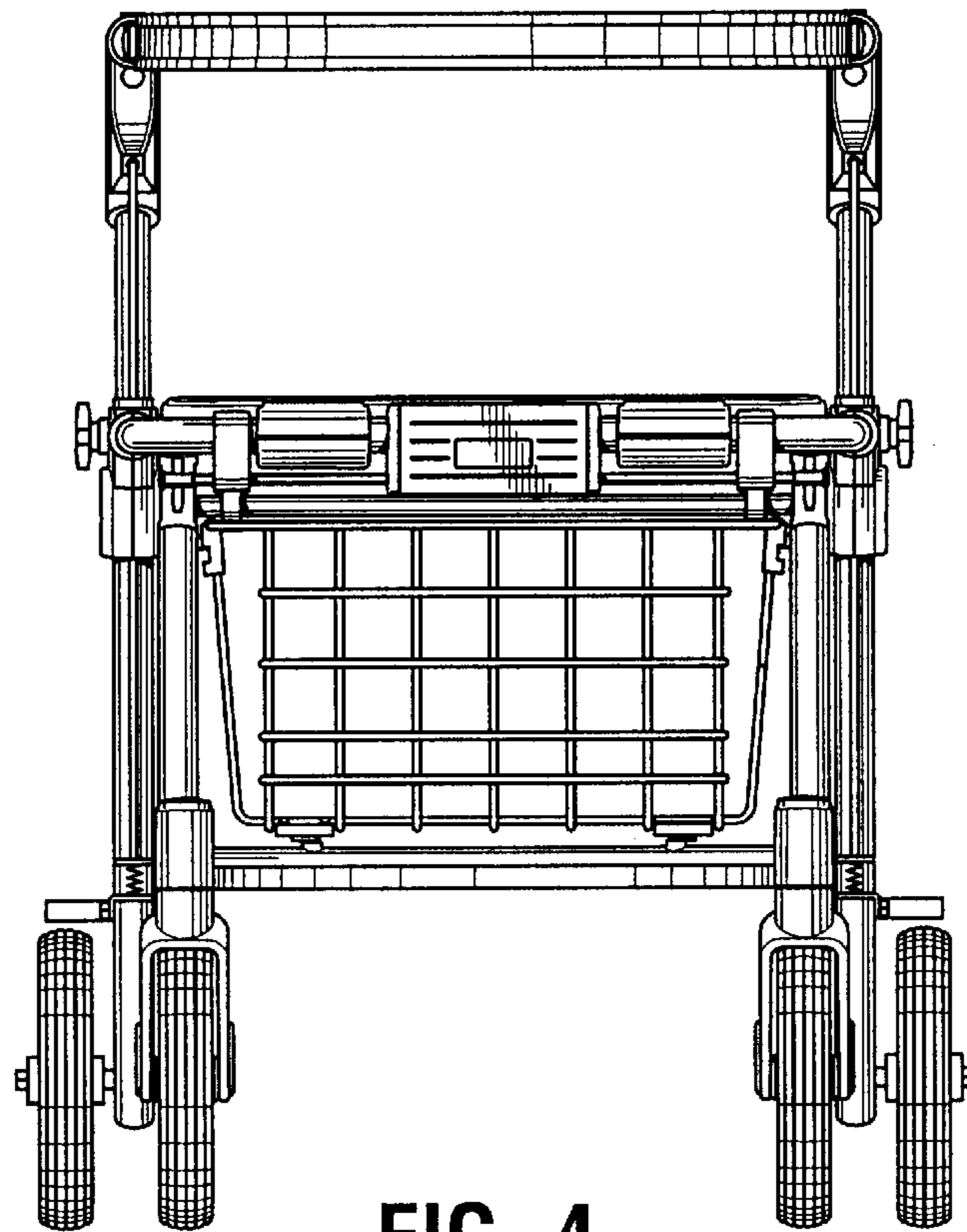


FIG. 4

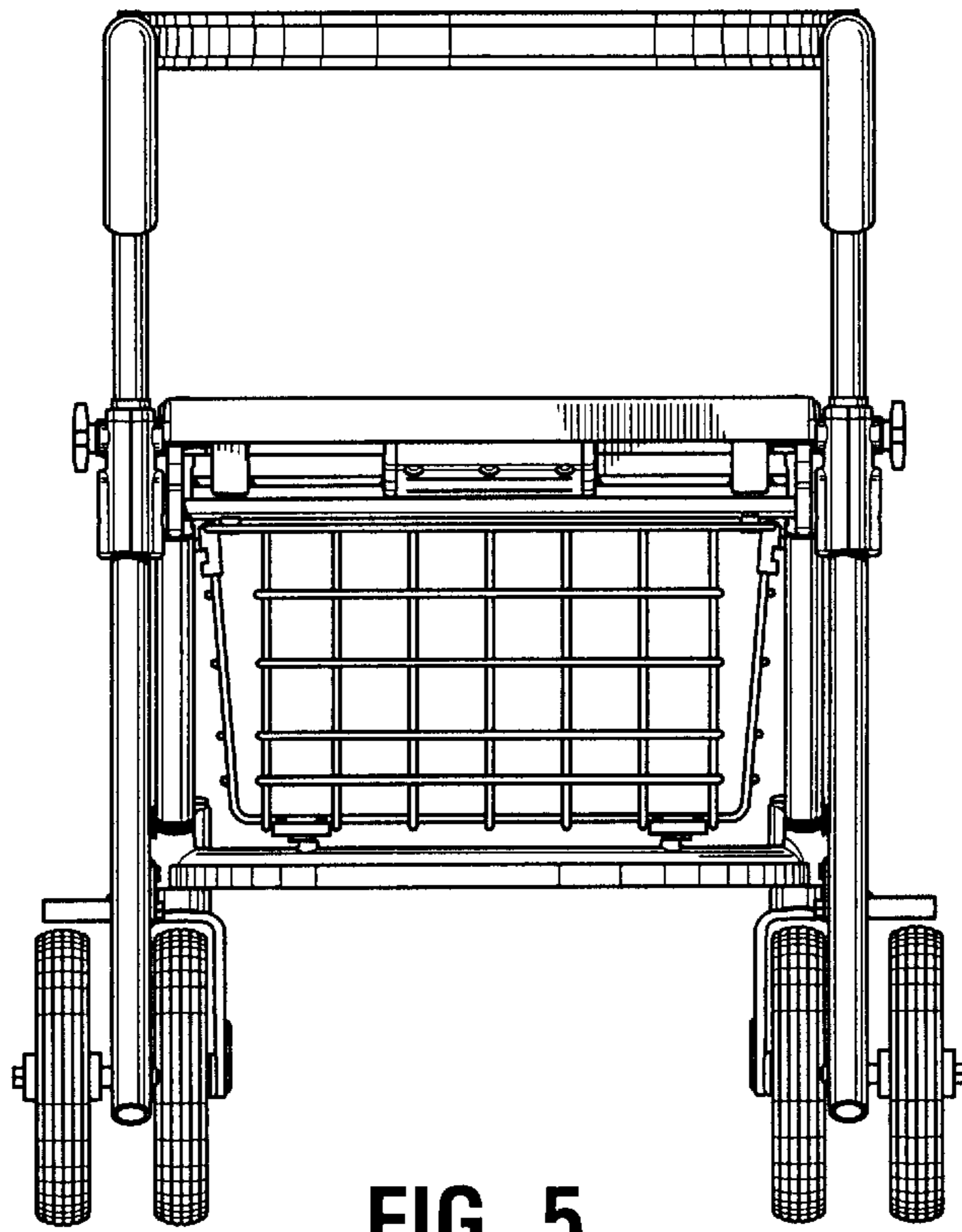


FIG. 5

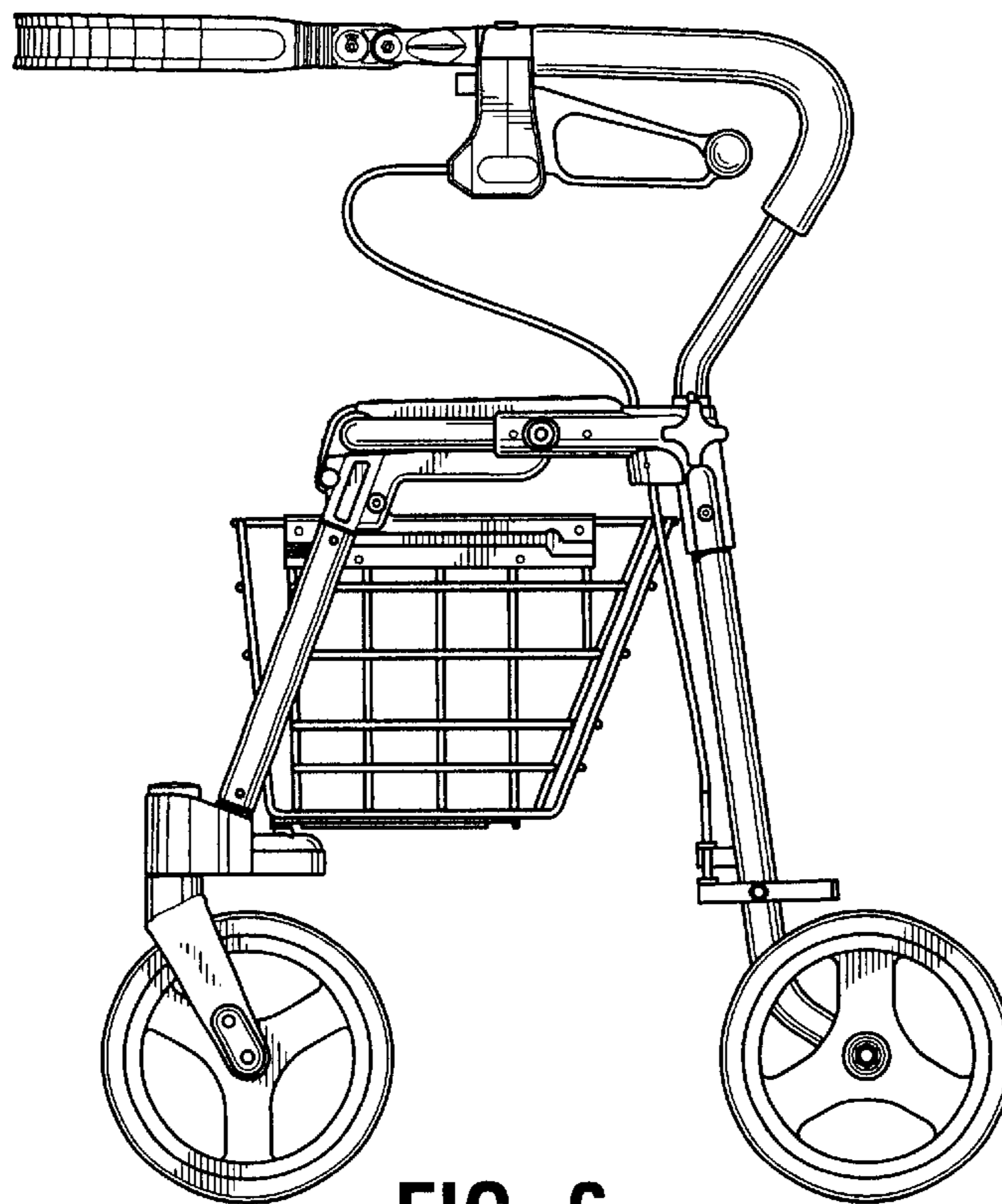


FIG. 6



FIG. 7