



US00D475312S

(12) **United States Design Patent**
Runciman

(10) **Patent No.:** **US D475,312 S**

(45) **Date of Patent:** **** Jun. 3, 2003**

(54) **HEAT DETECTOR CASING**

D377,321 S * 1/1997 Tomizawa D10/106
6,166,648 A * 12/2000 Wiemeyer et al. 340/578 X
D446,741 S * 8/2001 Johnson et al. D10/106

(75) Inventor: **Dunstan Walter Runciman,**
Zeekoeivlei (ZA)

* cited by examiner

(73) Assignee: **GSBS Development Corporation,**
Charlotte, NC (US)

Primary Examiner—Antoine Duval Davis
(74) *Attorney, Agent, or Firm*—Baker & Hostetler LLP

(**) Term: **14 Years**

(57) **CLAIM**

(21) Appl. No.: **29/161,840**

The ornamental design for a heat detector casing, as shown and described.

(22) Filed: **Jun. 6, 2002**

(30) **Foreign Application Priority Data**

DESCRIPTION

Dec. 6, 2001 (ZA) A2001-1298

FIG. 1 is a perspective view of the side elevation of the casing, particularly showing the inventive design thereof;
FIG. 2 is a bottom view thereof;
FIG. 3 is a top view thereof;
FIG. 4 is a front view thereof;
FIG. 5 is a rear view thereof;
FIG. 6 is a right view thereof; and,
FIG. 7 is a left view thereof.

(51) **LOC (7) Cl.** **10-05**

(52) **U.S. Cl.** **D10/106**

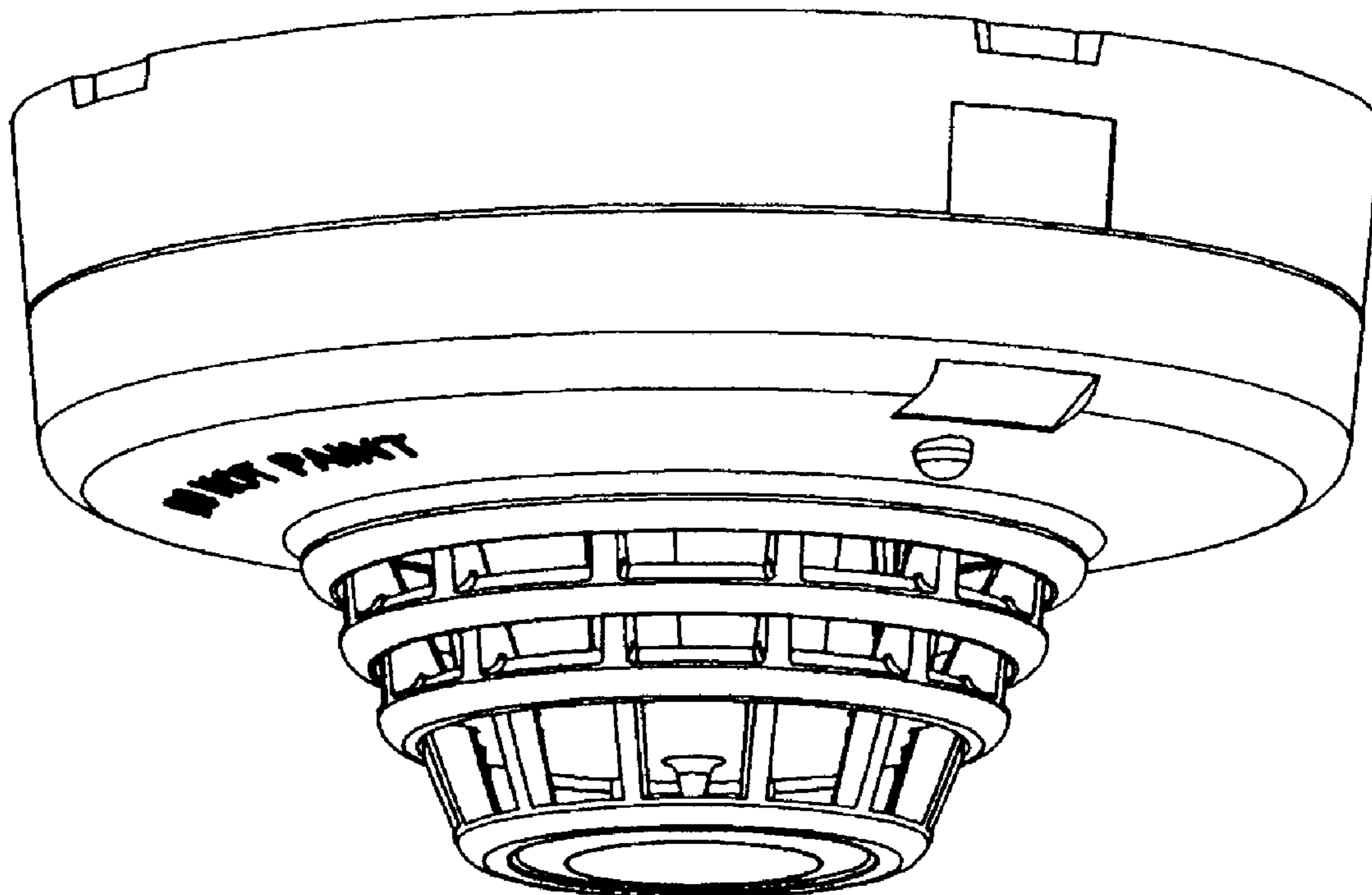
(58) **Field of Search** D10/106; 340/540,
340/545, 571-573, 577, 578, 628, 629,
630

(56) **References Cited**

U.S. PATENT DOCUMENTS

D308,836 S * 6/1990 Fenne D10/106

1 Claim, 7 Drawing Sheets



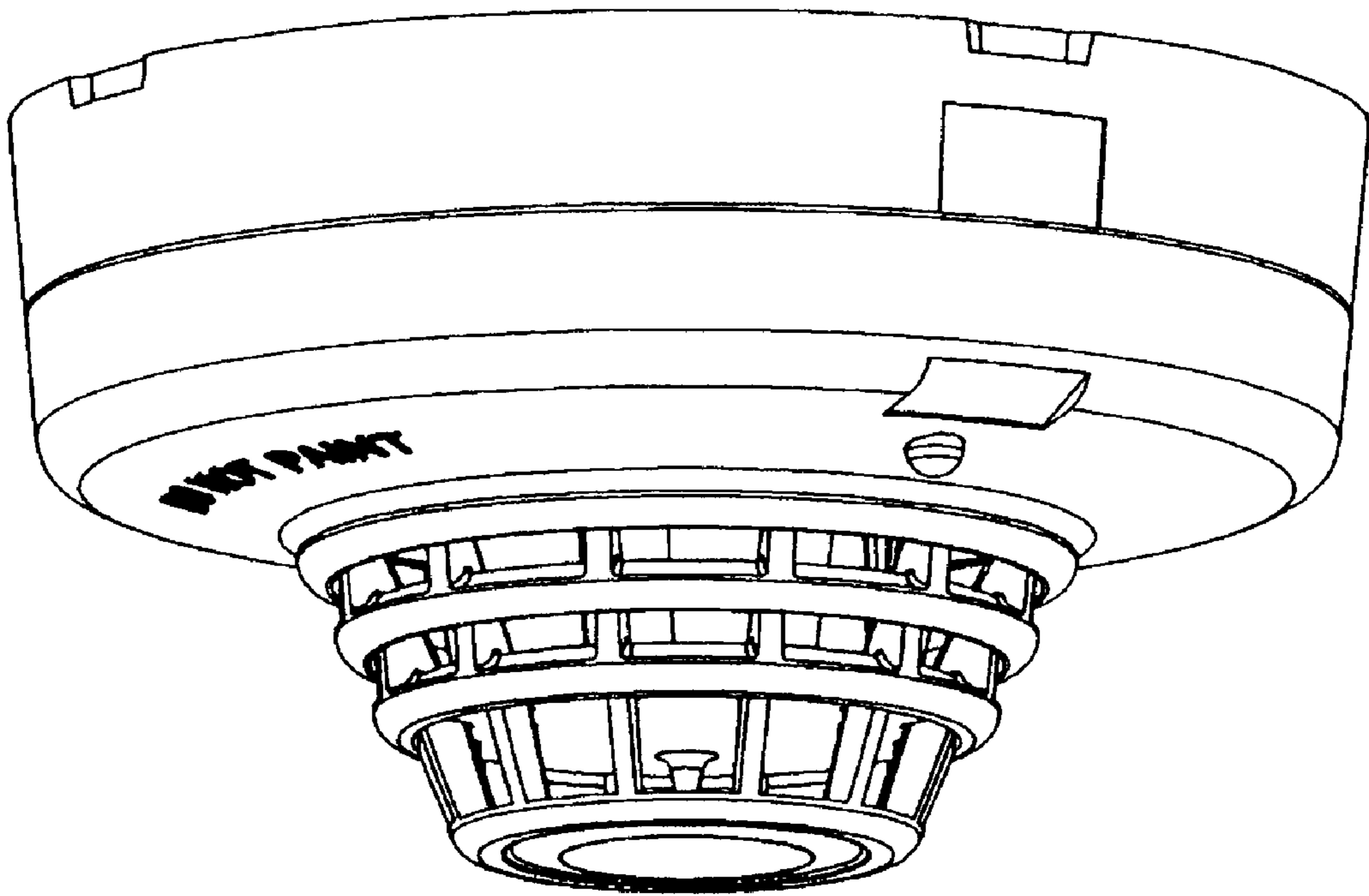


Fig. 1

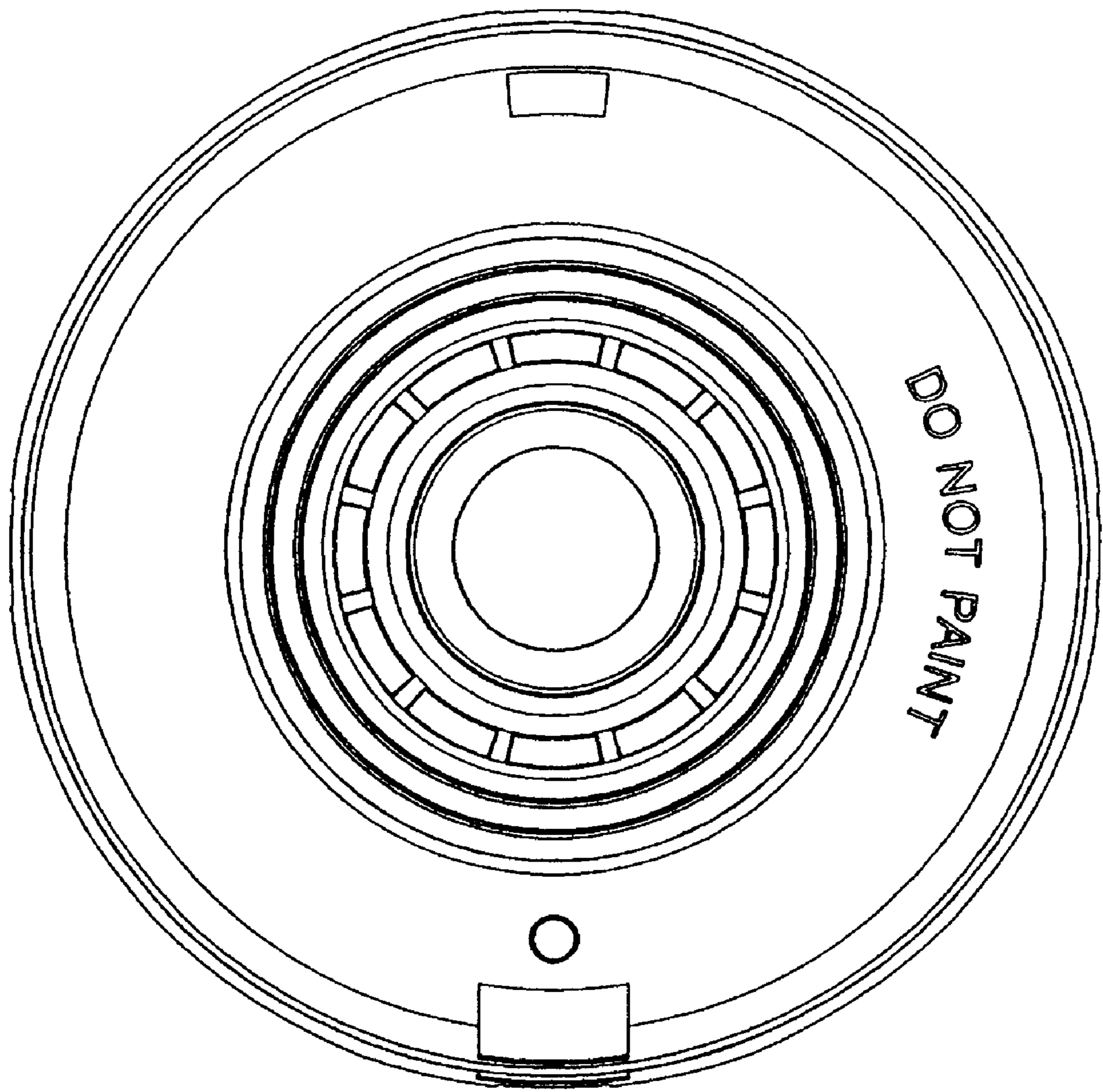


Fig. 2

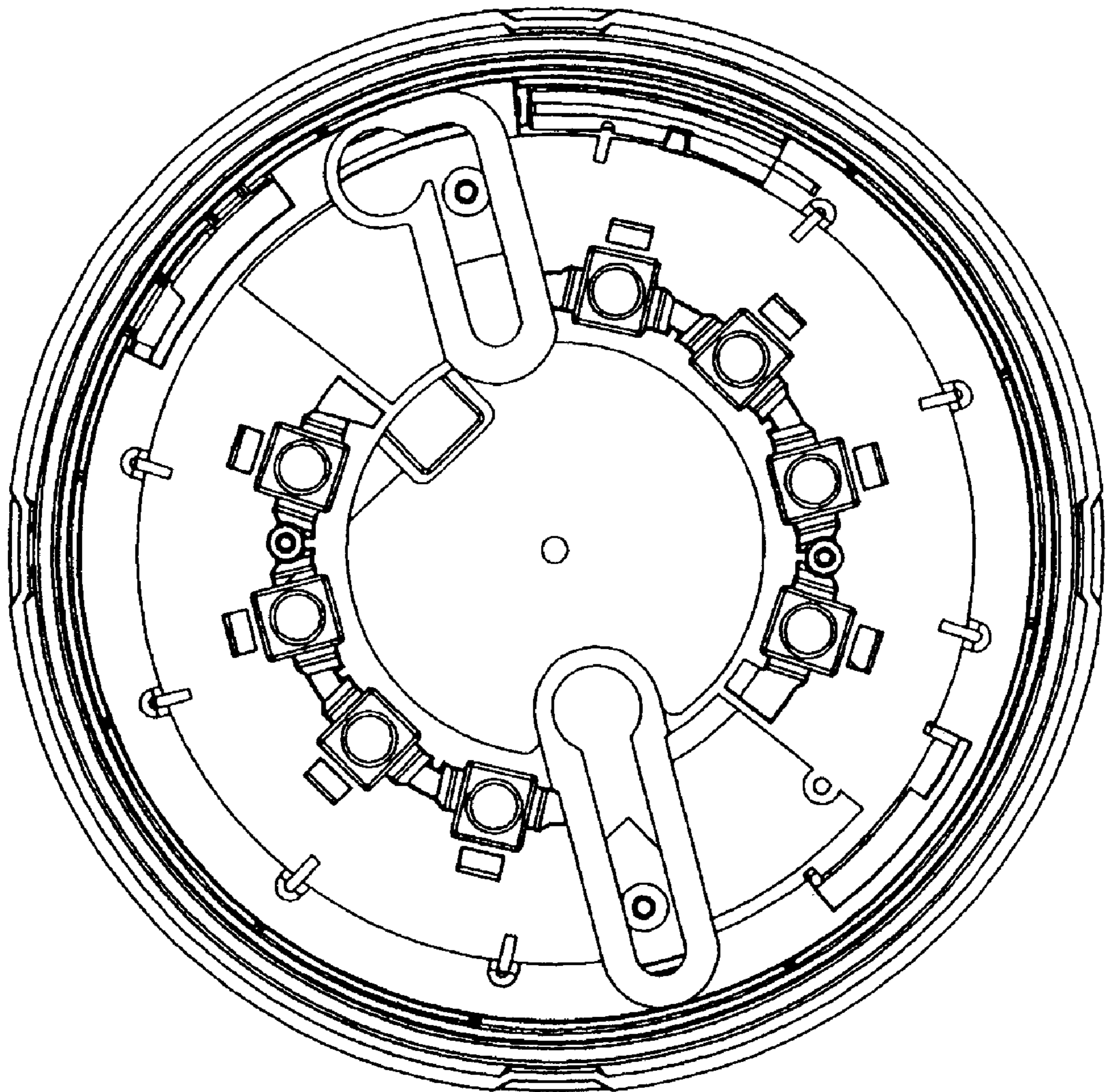


Fig. 3

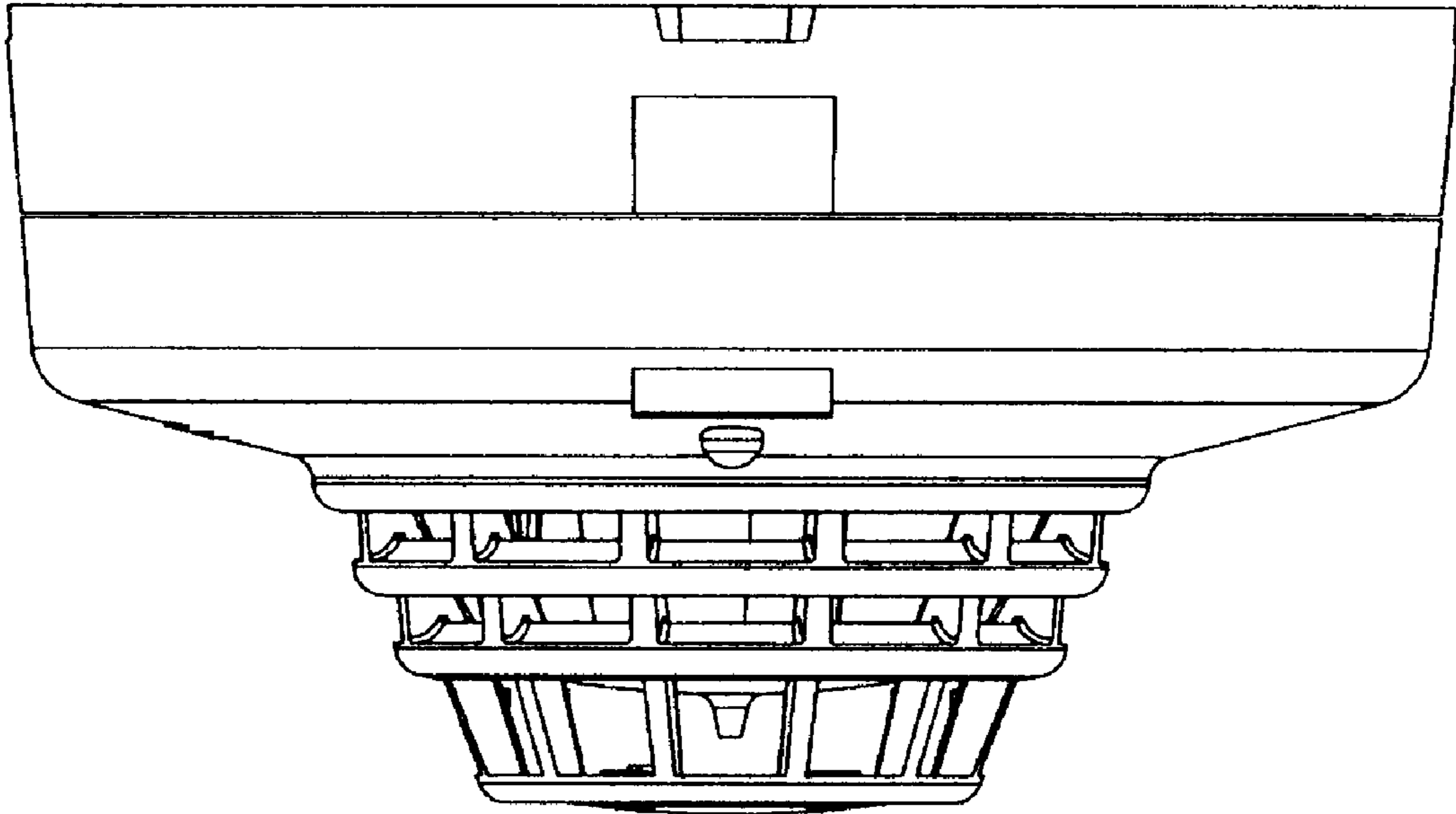


Fig. 4

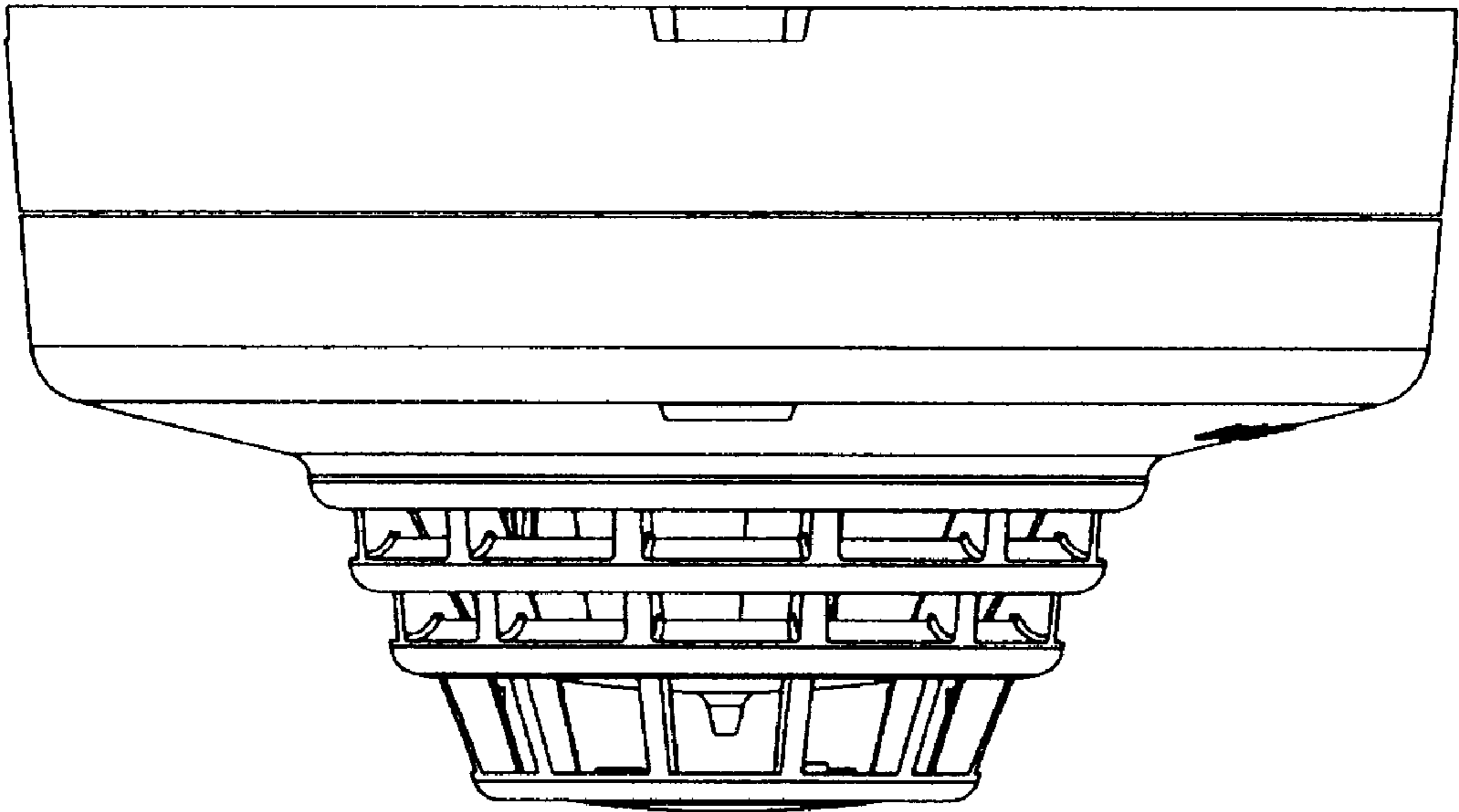


Fig. 5

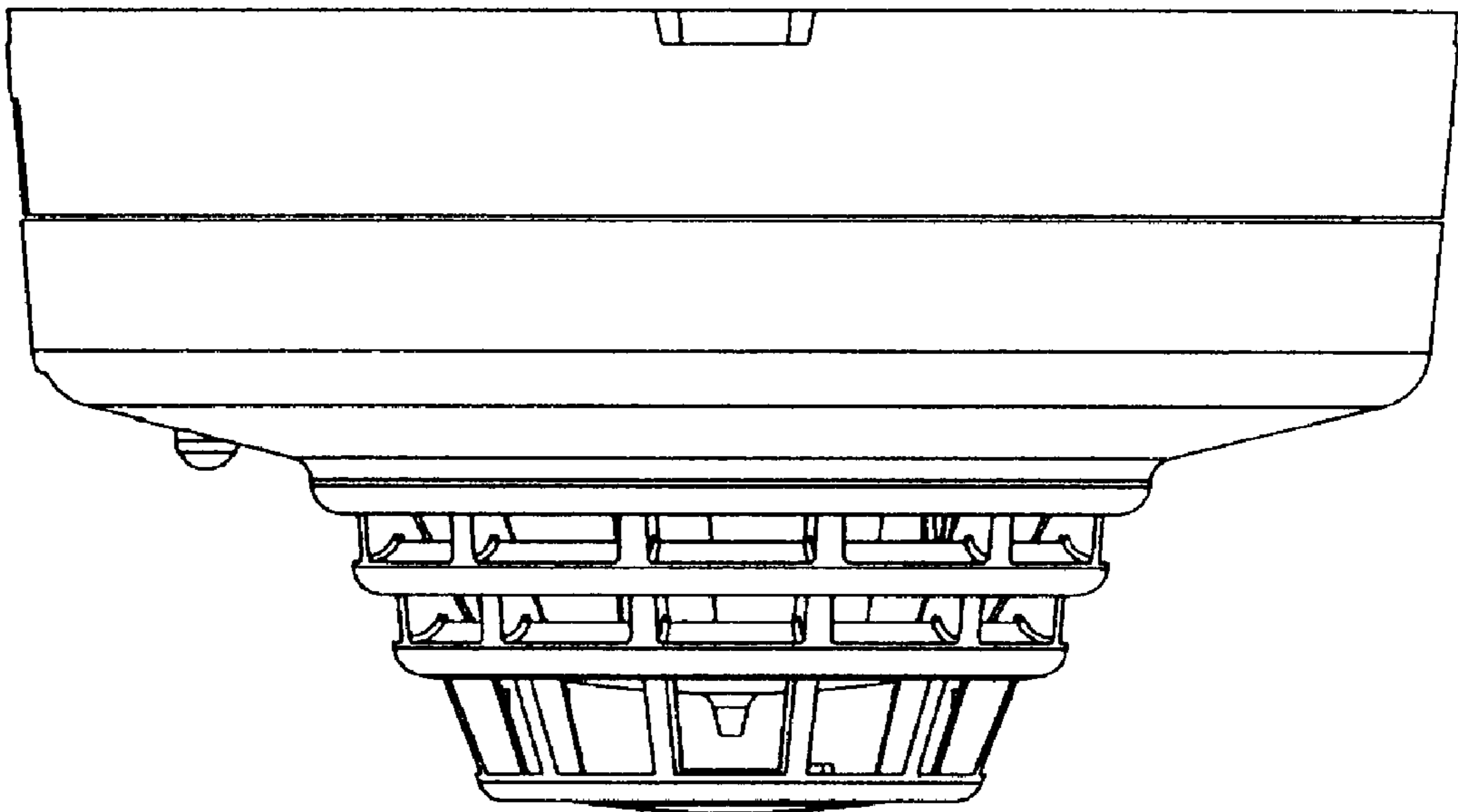


Fig. 6

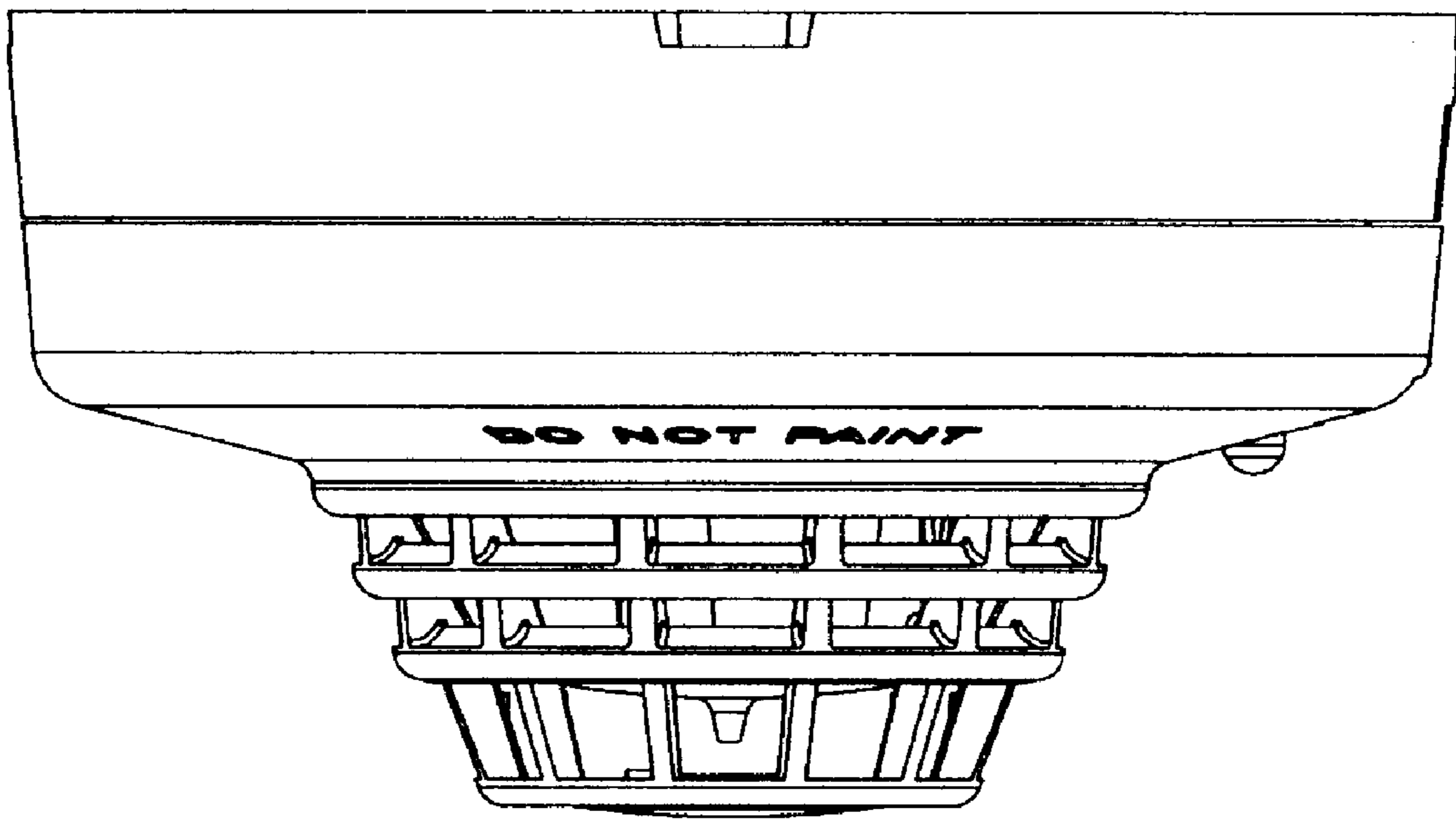


Fig. 7

UNITED STATES PATENT AND TRADEMARK OFFICE
CERTIFICATE OF CORRECTION

PATENT NO. : Des. 475,312 S
DATED : June 3, 2003
INVENTOR(S) : Runciman

Page 1 of 1

It is certified that error appears in the above-identified patent and that said Letters Patent is hereby corrected as shown below:

Title page,

Item [54], Title, should read -- **FIRE DETECTOR CASING** --

Signed and Sealed this

Twenty-fourth Day of February, 2004

A handwritten signature in black ink that reads "Jon W. Dudas". The signature is written in a cursive style with a large, looped initial "J".

JON W. DUDAS

Acting Director of the United States Patent and Trademark Office