



US00D475307S

(12) **United States Design Patent**
Grendahl

(10) **Patent No.:** **US D475,307 S**

(45) **Date of Patent:** **** Jun. 3, 2003**

(54) **ELECTRICIAN'S CENTERLINE TEMPLATE**

(76) **Inventor:** **Mark S. Grendahl**, 117 Belmont Rd.,
Apple Valley, MN (US) 55124

(**) **Term:** **14 Years**

(21) **Appl. No.:** **29/161,790**

(22) **Filed:** **Jun. 5, 2002**

(51) **LOC (7) Cl.** **10-04**

(52) **U.S. Cl.** **D10/64; D10/71**

(58) **Field of Search** D10/71, 64; 33/483-494,
33/562, 563-566, 1 B, 1 C, 1 BB; 83/565

(56) **References Cited**

U.S. PATENT DOCUMENTS

D142,608 S	4/1945	Ziegfeld	
D165,849 S	2/1952	Jordan	
D167,043 S	3/1952	Kintz	
D347,586 S	6/1994	Kim	D10/64
5,577,328 A	11/1996	Kerry, Sr.	33/563
5,685,816 A	11/1997	Romer	493/231

6,216,354 B1 *	4/2001	Carbone	33/565
D448,406 S	9/2001	Lariviere, Jr. et al.	D19/39
D448,802 S	10/2001	Lariviere, Jr. et al.	D19/39
6,434,844 B1 *	8/2002	Rank	33/494

* cited by examiner

Primary Examiner—Antoine Duval Davis

(74) *Attorney, Agent, or Firm*—John W. Bunch

(57) **CLAIM**

The ornamental design for an electrician's centerline template, as shown and described.

DESCRIPTION

FIG. 1 is a top plan view of an electrician's centerline template incorporating my new design; FIG. 2 is a side elevational view thereof, the other side elevational view being the same as that shown; FIG. 3 is a bottom plan view thereof; and, FIG. 4 is an end elevational view thereof, the other end elevational view being the same as that shown.

1 Claim, 1 Drawing Sheet

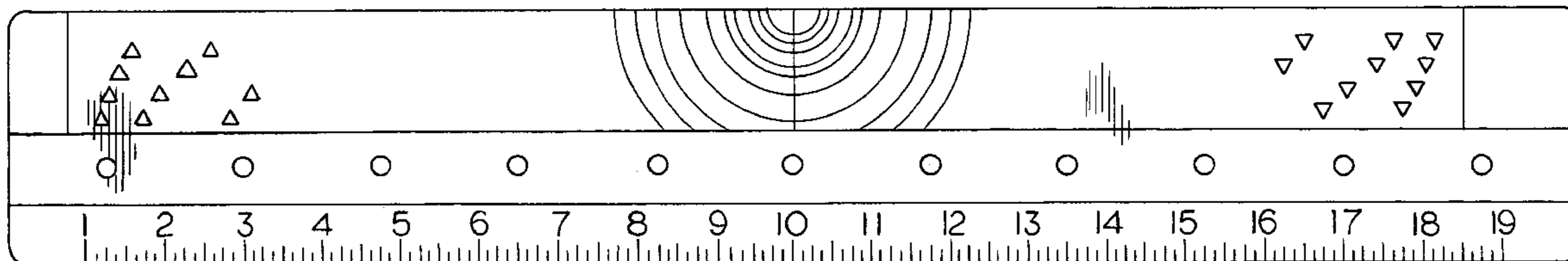


FIG. 1

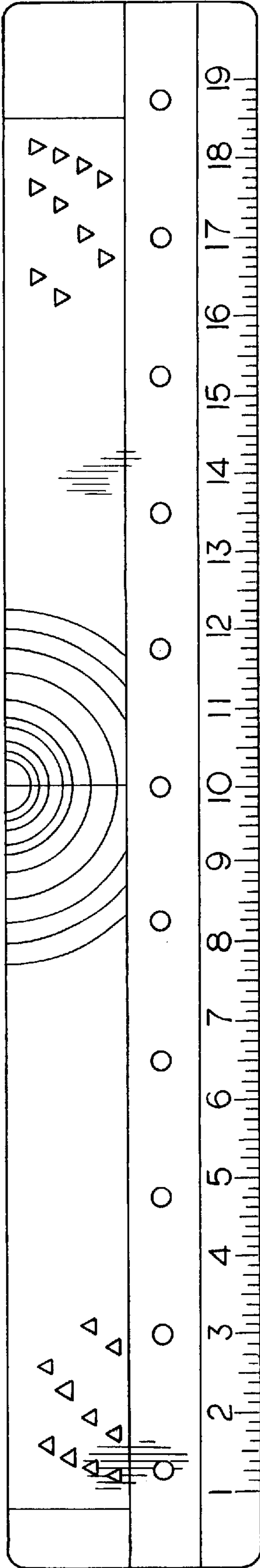


FIG. 2



FIG. 3

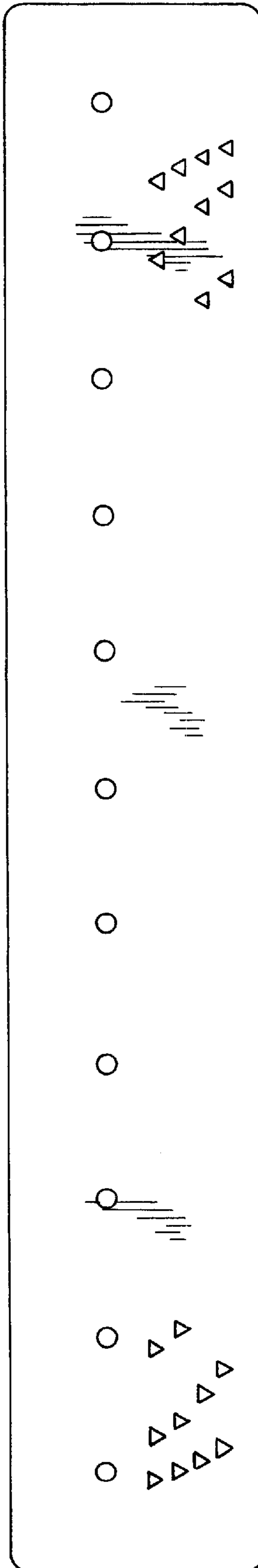


FIG. 4



FIG. 5

