



US00D475302S

(12) **United States Design Patent**
Chan

(10) **Patent No.:** **US D475,302 S**

(45) **Date of Patent:** **** Jun. 3, 2003**

(54) **CLOCK**

D409,498 S 5/1999 Hargrove, III D10/15

D442,210 S 5/2001 Chan D18/2

D466,417 S 12/2002 Yoshinaka D10/15

(75) Inventor: **Sik-Leung Chan, Tsuen Wan (CN)**

(73) Assignee: **C. C. & L Company Limited, Tsuen Wan (CN)**

Primary Examiner—Nelson C. Holtje

(74) *Attorney, Agent, or Firm*—Alix, Yale & Ristas, LLP

(**) Term: **14 Years**

(57) **CLAIM**

(21) Appl. No.: **29/166,955**

The ornamental design for a clock, as shown and described.

(22) Filed: **Sep. 6, 2002**

DESCRIPTION

(30) **Foreign Application Priority Data**

Apr. 25, 2002 (HK) 0210559

FIG. 1 is a front perspective view of a clock showing my new design;

(51) **LOC (7) Cl.** **10-01**

FIG. 2 is a front perspective view in opened position thereof;

(52) **U.S. Cl.** **D10/15; D10/18**

FIG. 3 is a front elevational view thereof;

(58) **Field of Search** D10/1-40, 122-132;
368/280-282, 276-277, 28-30, 285, 239-242,
243-249, 82-84, 41-44

FIG. 4 is a rear elevational view thereof;

FIG. 5 is a left side elevational view thereof;

FIG. 6 is a right side elevational view thereof;

FIG. 7 is a top plan view thereof; and,

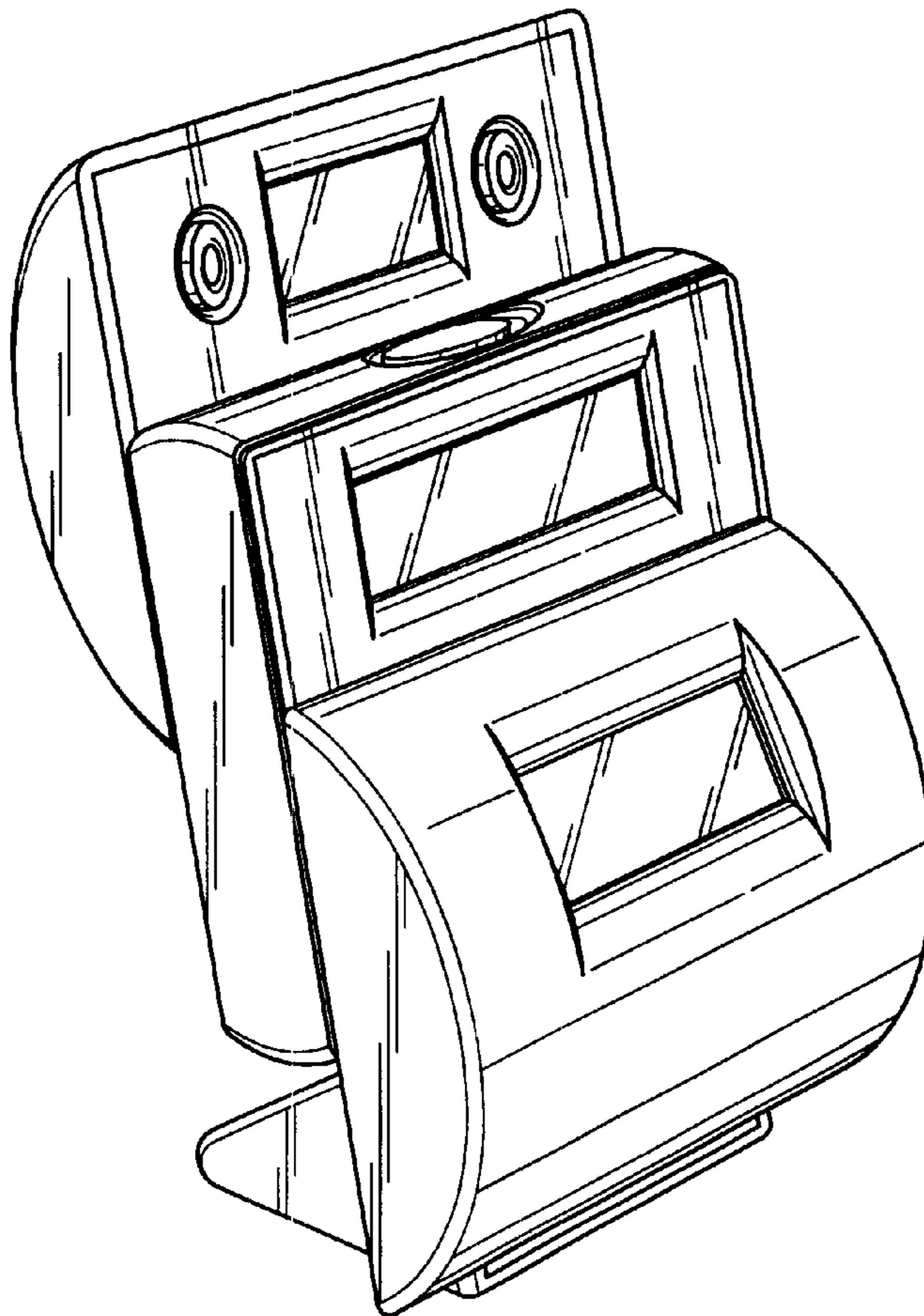
FIG. 8 is a bottom plan view thereof.

(56) **References Cited**

U.S. PATENT DOCUMENTS

D161,880 S 2/1957 Schlenker D10/15

1 Claim, 4 Drawing Sheets



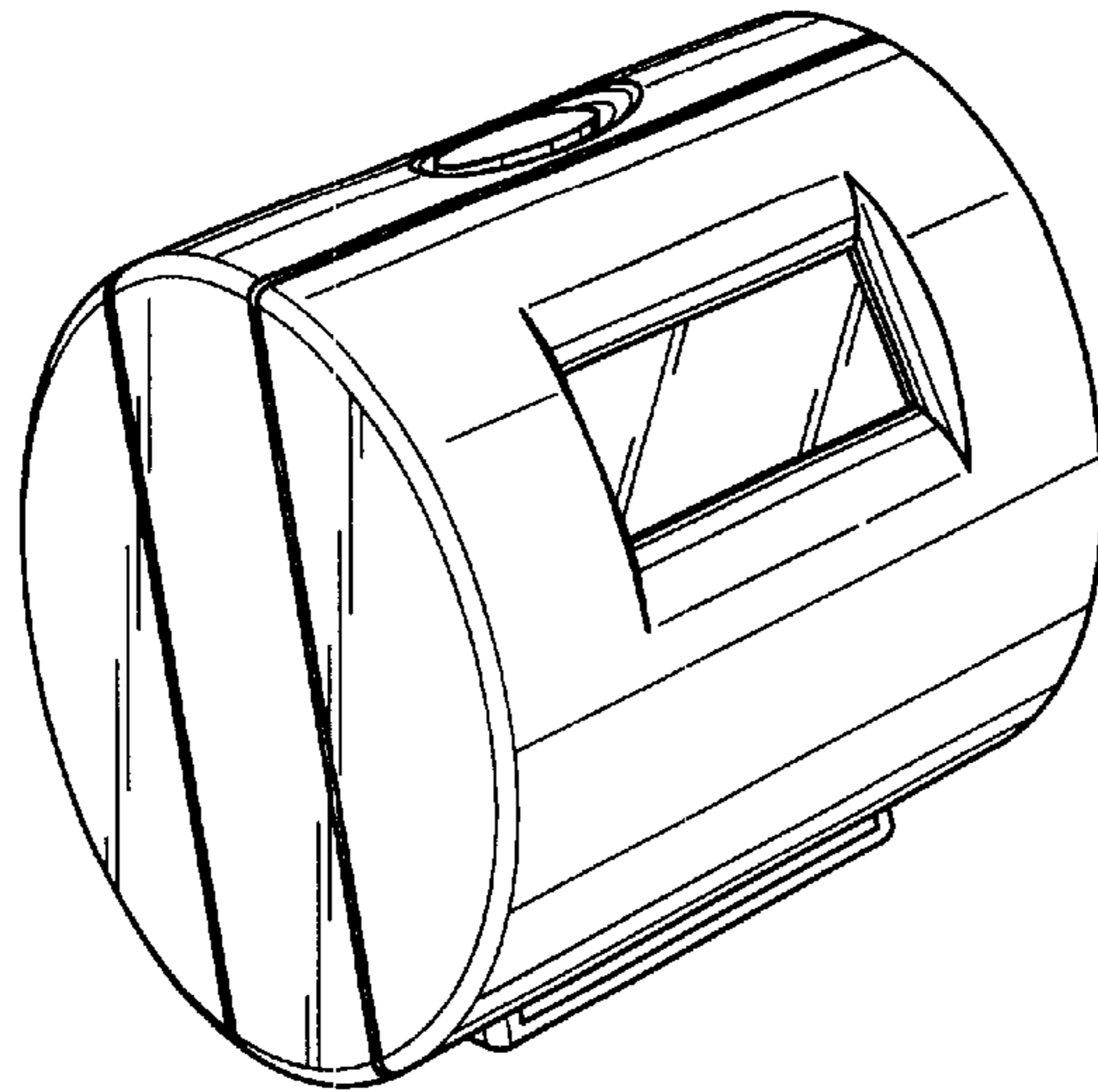


FIG. 1

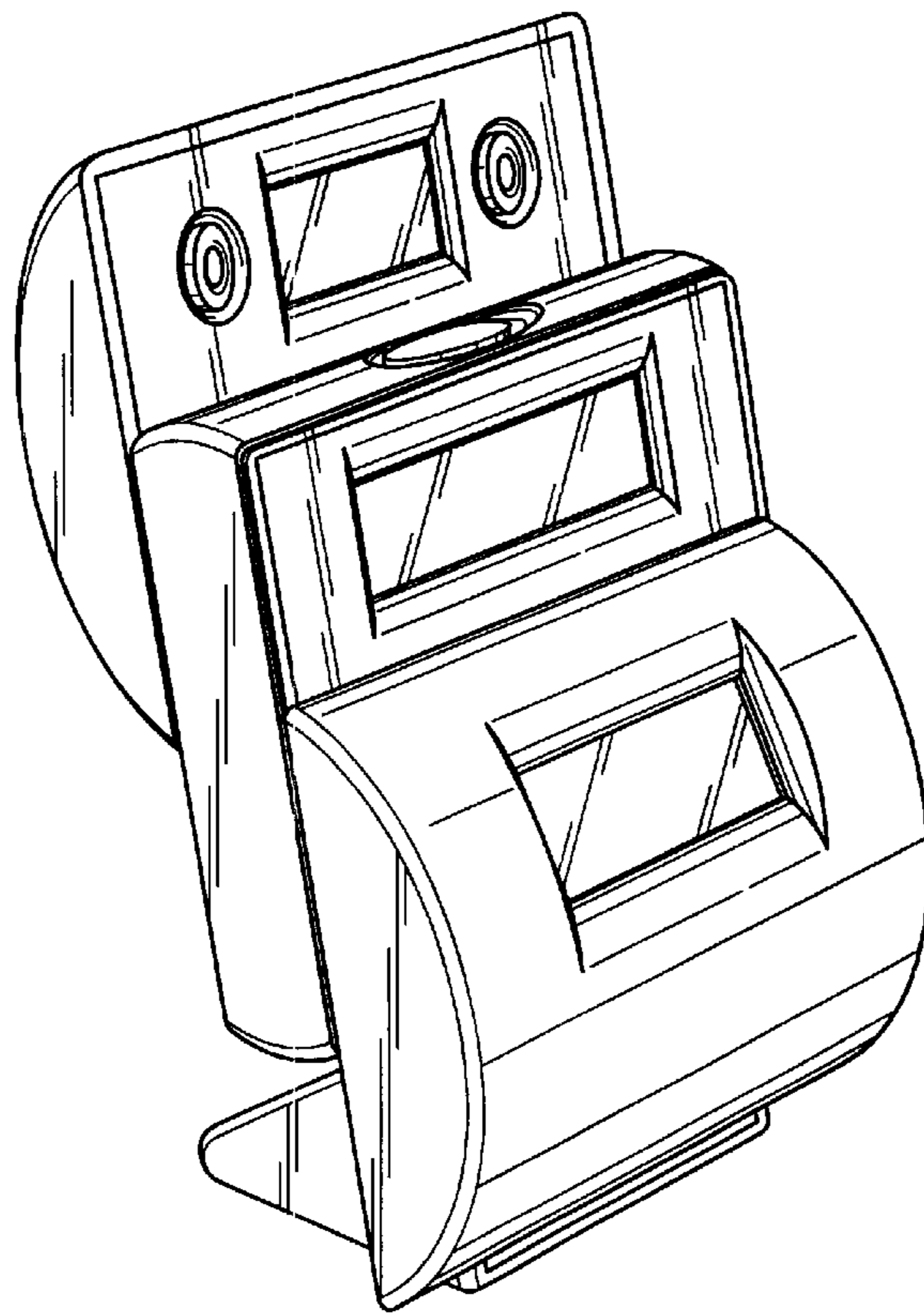


FIG. 2

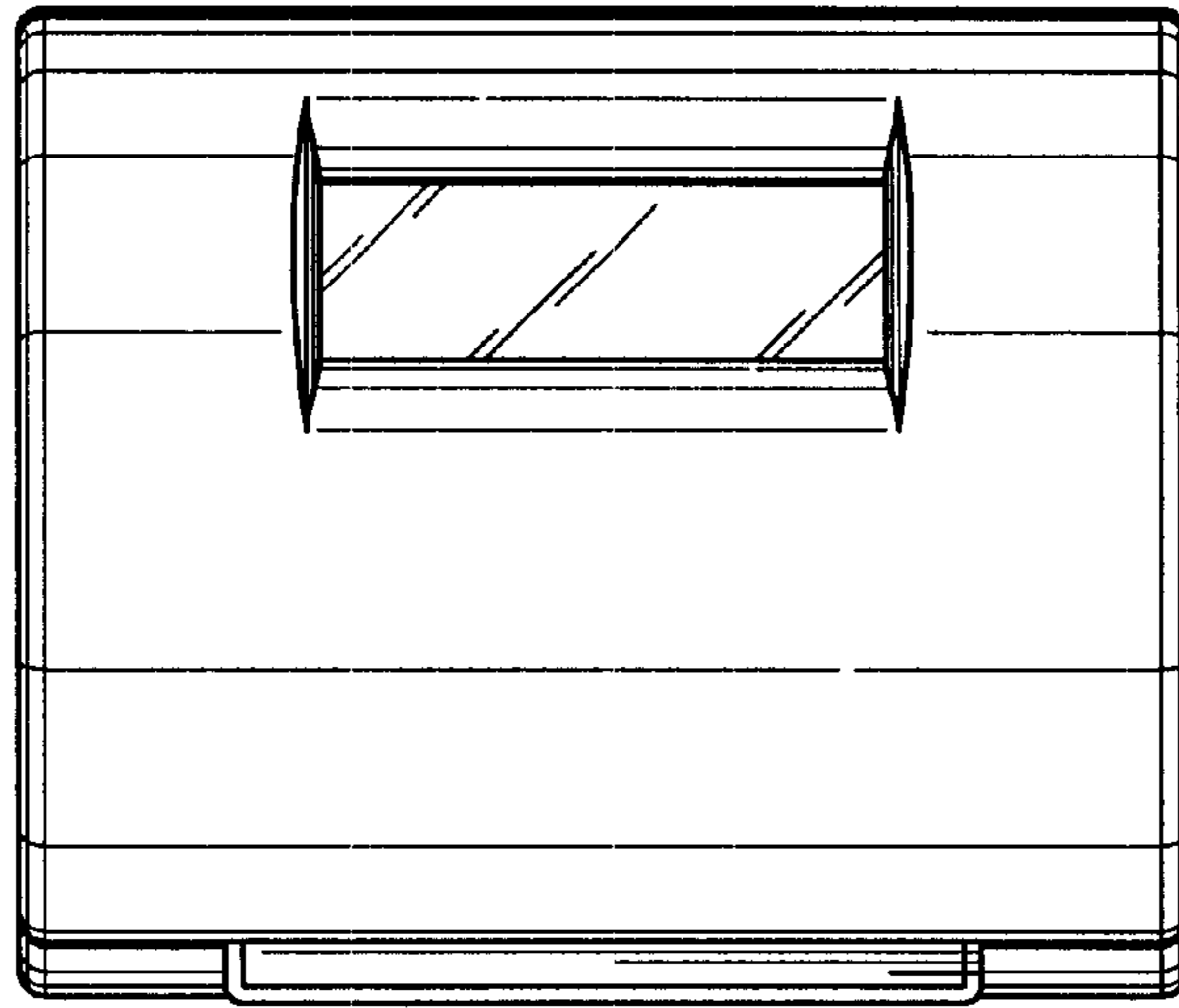


FIG. 3

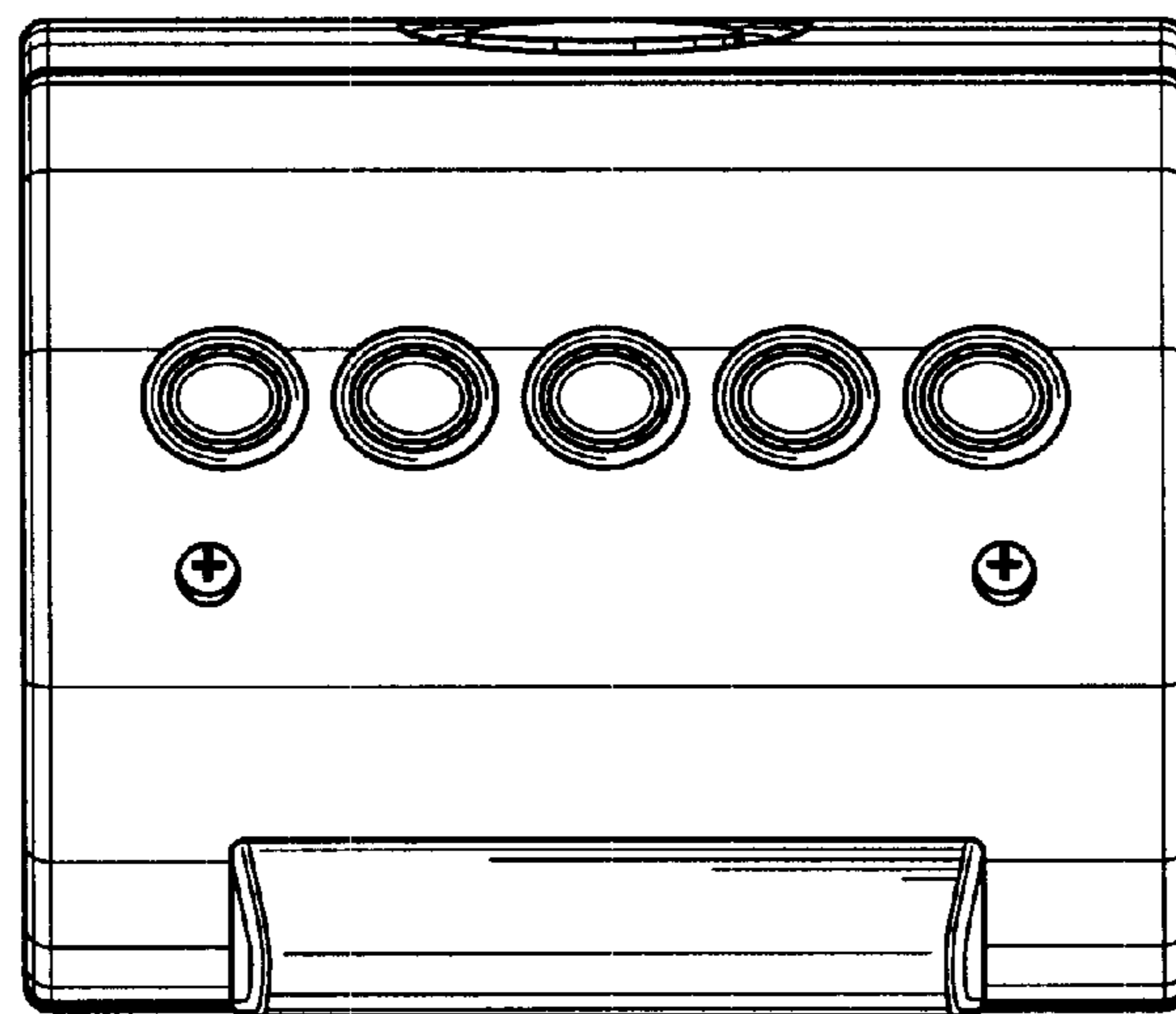


FIG. 4

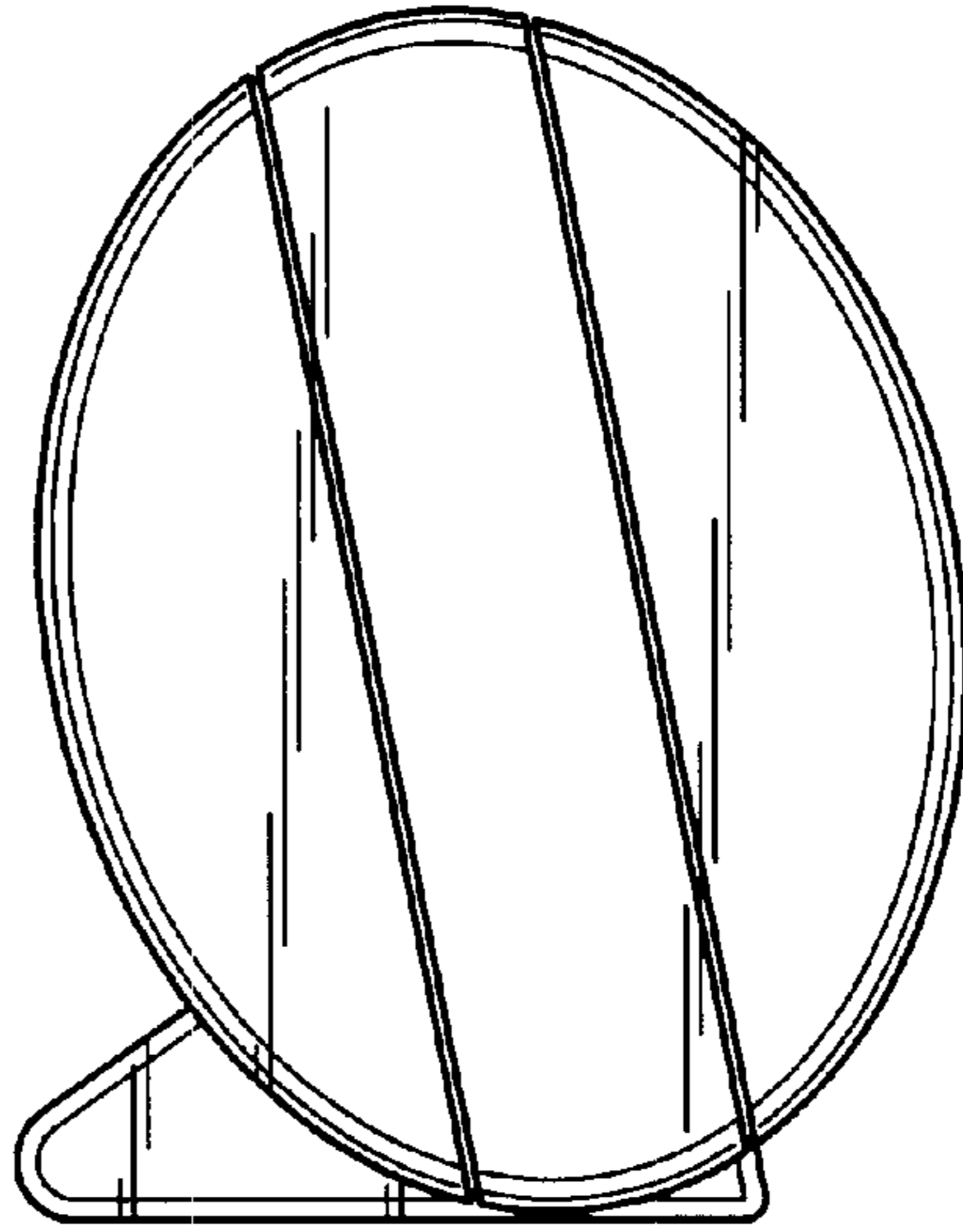


FIG. 5

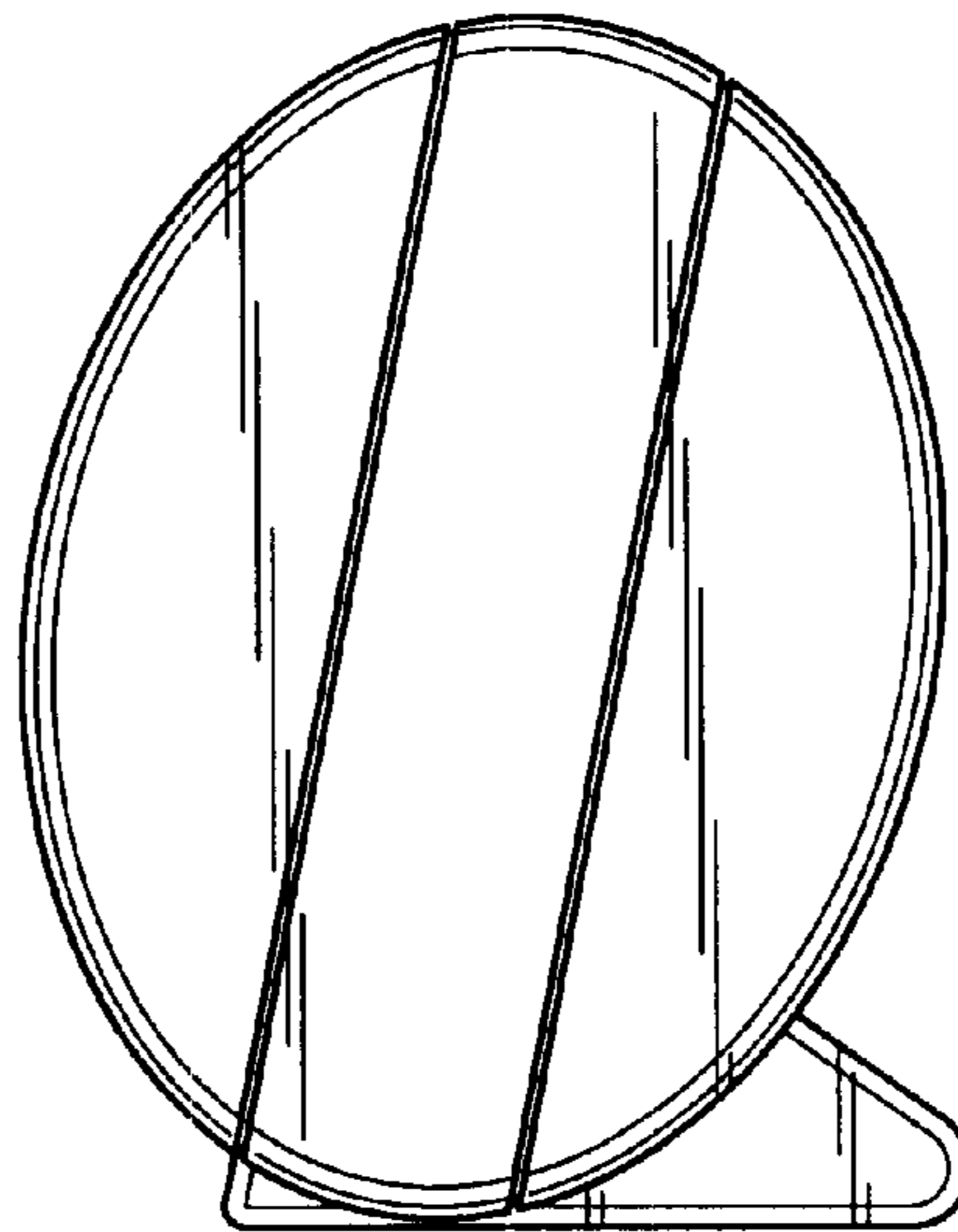


FIG. 6

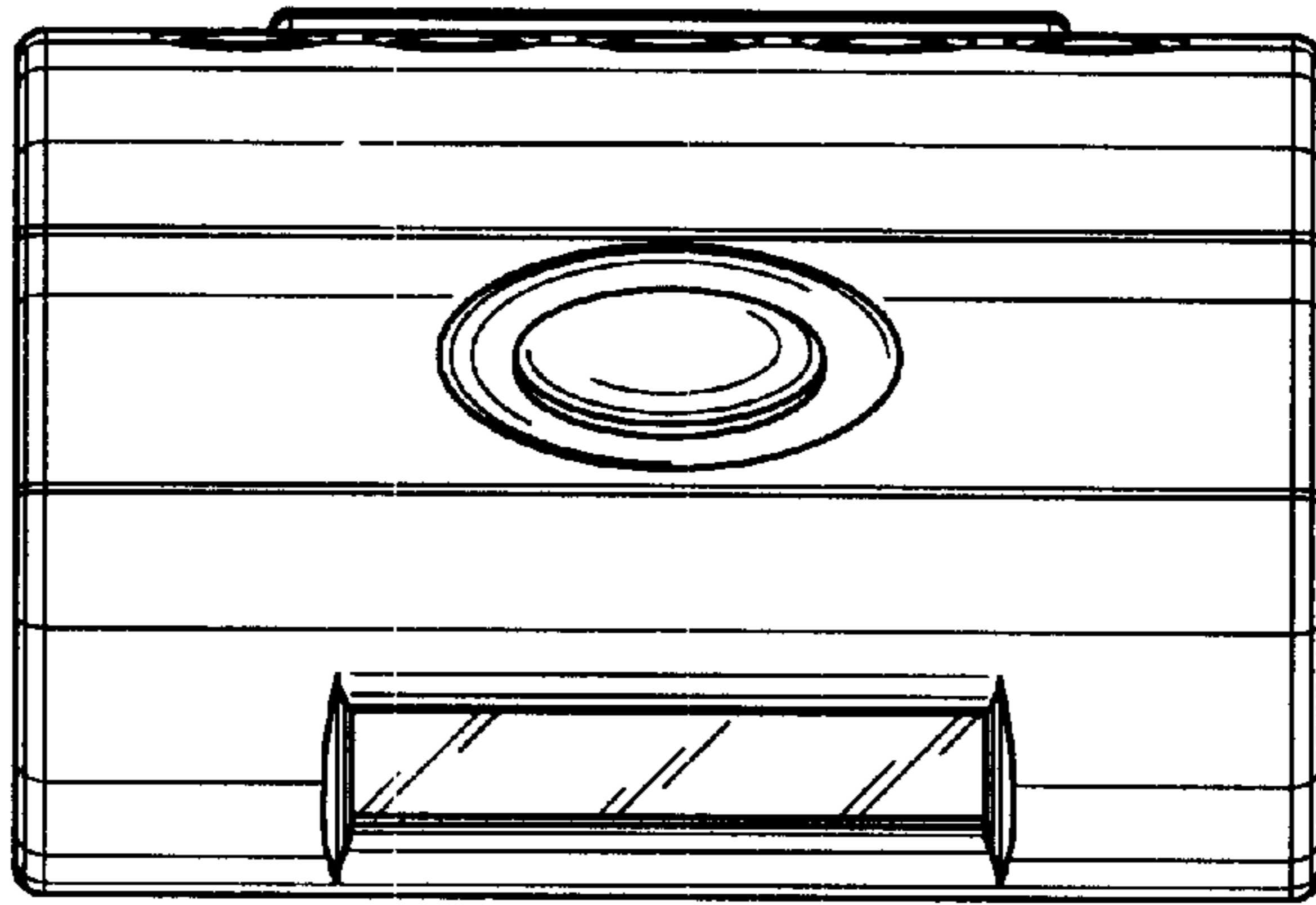


FIG. 7

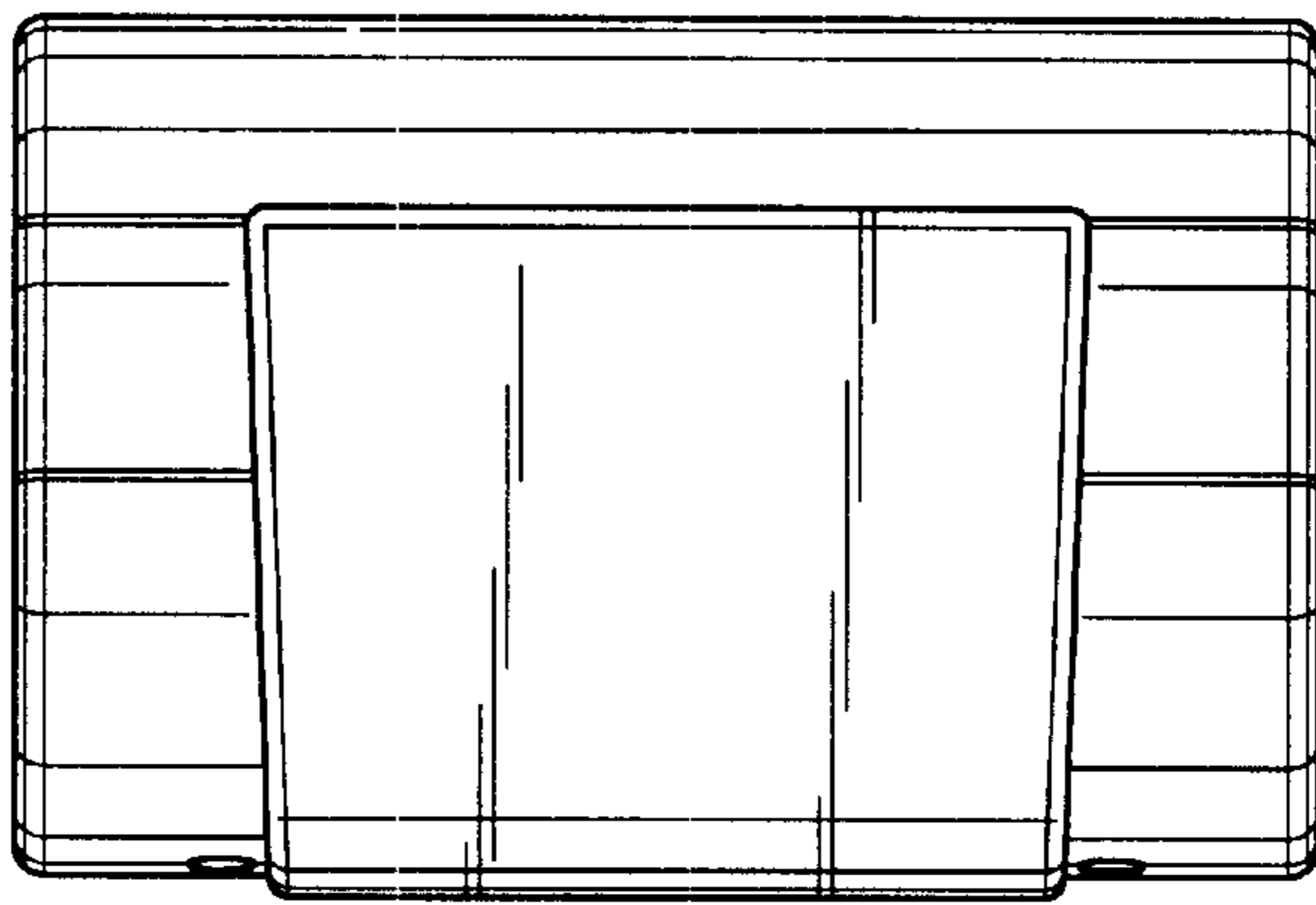


FIG. 8