



US00D475299S

(12) **United States Design Patent**
Chan

(10) **Patent No.:** **US D475,299 S**

(45) **Date of Patent:** **** Jun. 3, 2003**

(54) **CLOCK**

(75) **Inventor:** **Sik-Leung Chan, Tsuen Wan (CN)**

(73) **Assignee:** **C. C. & L Company Limited, Tsuen Wan (CN)**

(**) **Term:** **14 Years**

(21) **Appl. No.:** **29/166,485**

(22) **Filed:** **Aug. 27, 2002**

(30) **Foreign Application Priority Data**

Apr. 25, 2002 (HK) 0210559.9M002

(51) **LOC (7) Cl.** **10-01**

(52) **U.S. Cl.** **D10/1**

(58) **Field of Search** D10/1-40, 122-132;
368/280-282, 276-277, 28-30, 285, 239-242,
243-249, 82-84, 41-44

(56) **References Cited**

U.S. PATENT DOCUMENTS

D161,880 S * 2/1957 Schlenker D10/15
D258,725 S * 3/1981 Hocq D10/22

D278,313 S * 4/1985 Progin D10/23
D317,576 S * 6/1991 Aoki et al. D10/15
D322,942 S * 1/1992 Tse D10/23
D337,530 S * 7/1993 Benton D10/29
D347,185 S * 5/1994 Shimamura D10/28
D414,119 S * 9/1999 Hargrove, III D10/15

* cited by examiner

Primary Examiner—Nelson C. Holtje

(74) *Attorney, Agent, or Firm*—Alix, Yale & Ristas, LLP

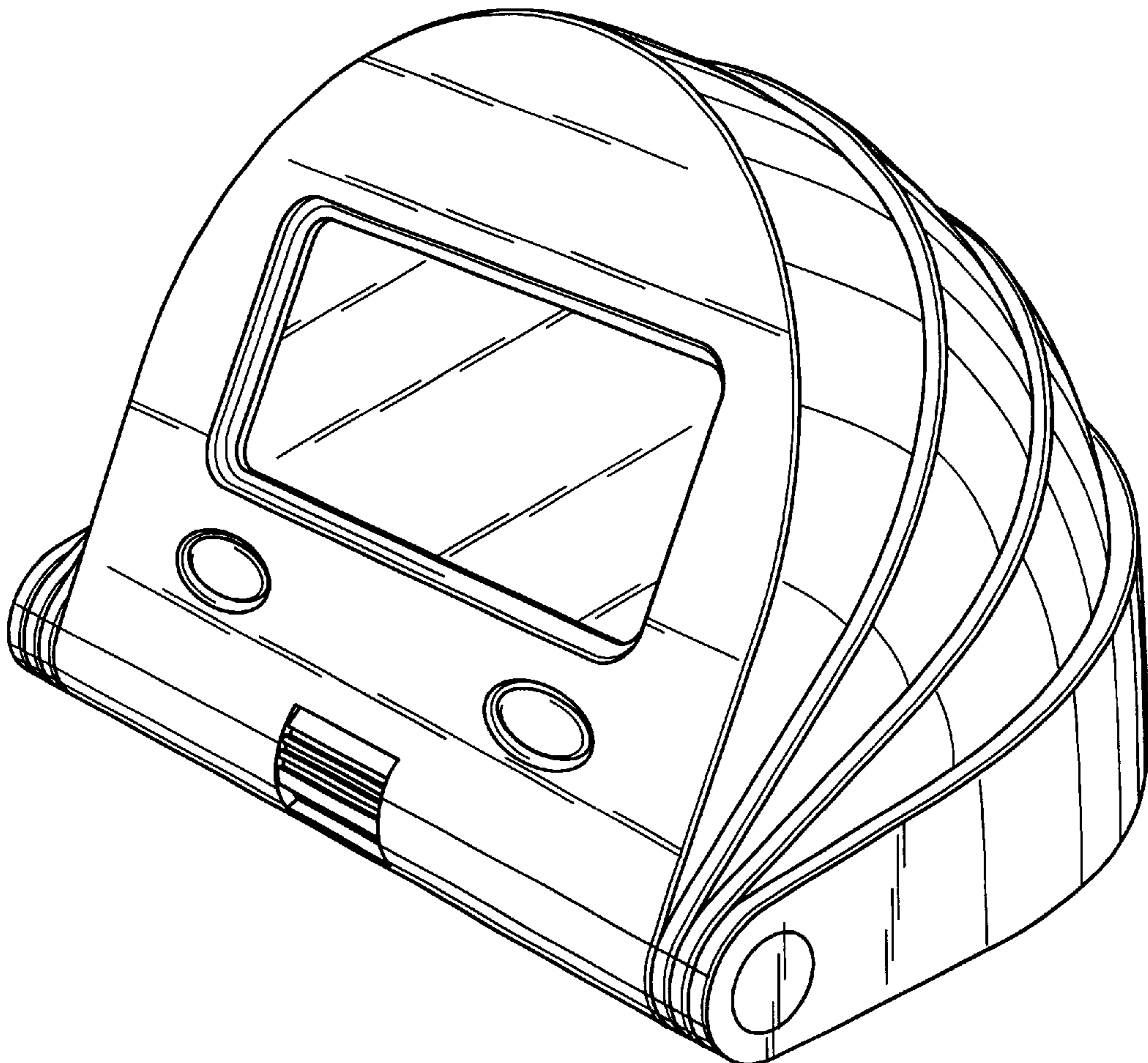
(57) **CLAIM**

The ornamental design for a clock, as shown and described.

DESCRIPTION

FIG. 1 is a front perspective view of a clock showing my new design;
FIG. 2 is a front perspective view in opened position thereof;
FIG. 3 is a front elevational view thereof;
FIG. 4 is a top plan view thereof;
FIG. 5 is a left side elevational view thereof;
FIG. 6 is a right side elevational view thereof;
FIG. 7 is a rear elevational view thereof; and,
FIG. 8 is a bottom plan view thereof.

1 Claim, 4 Drawing Sheets



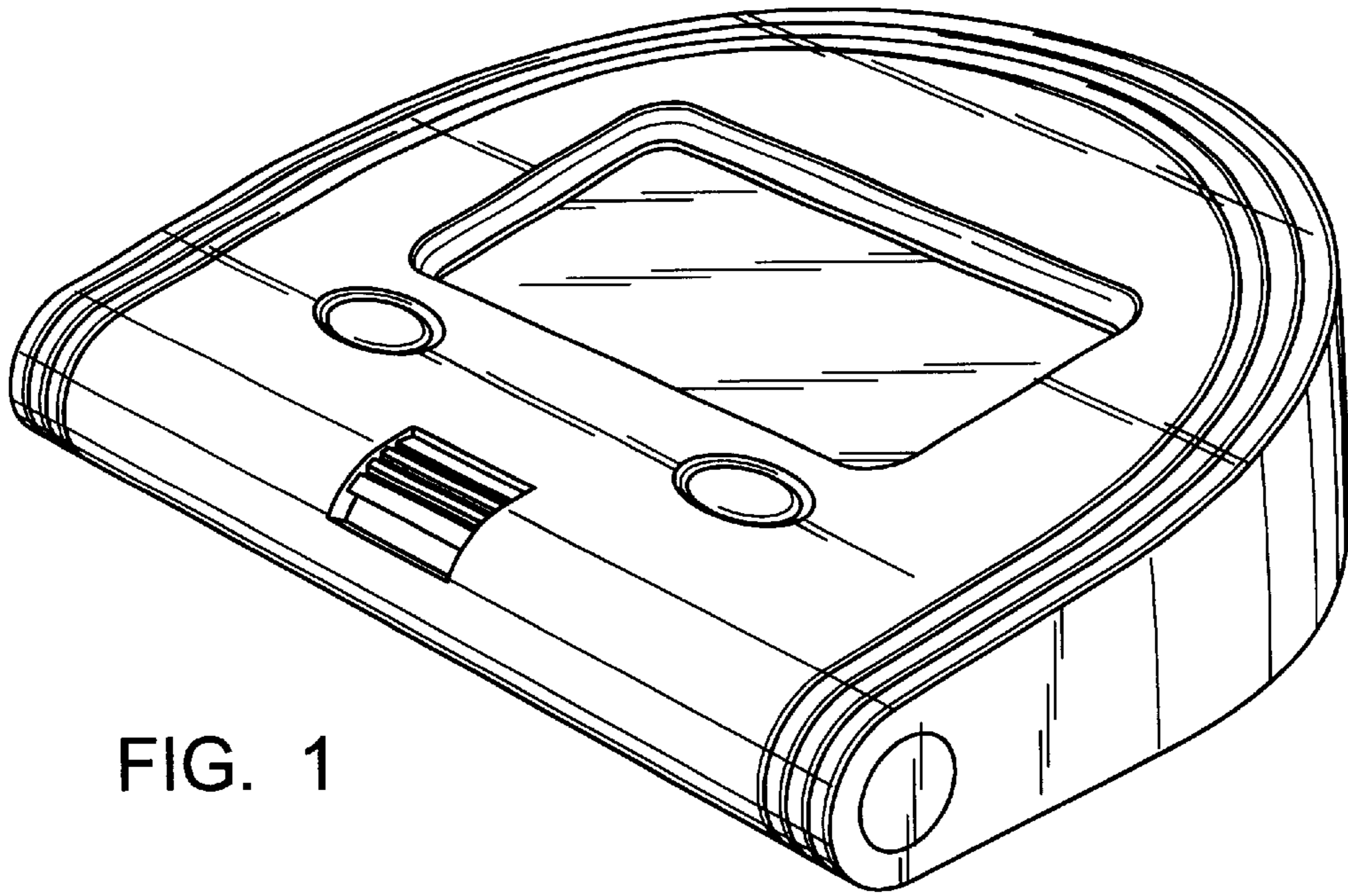


FIG. 1

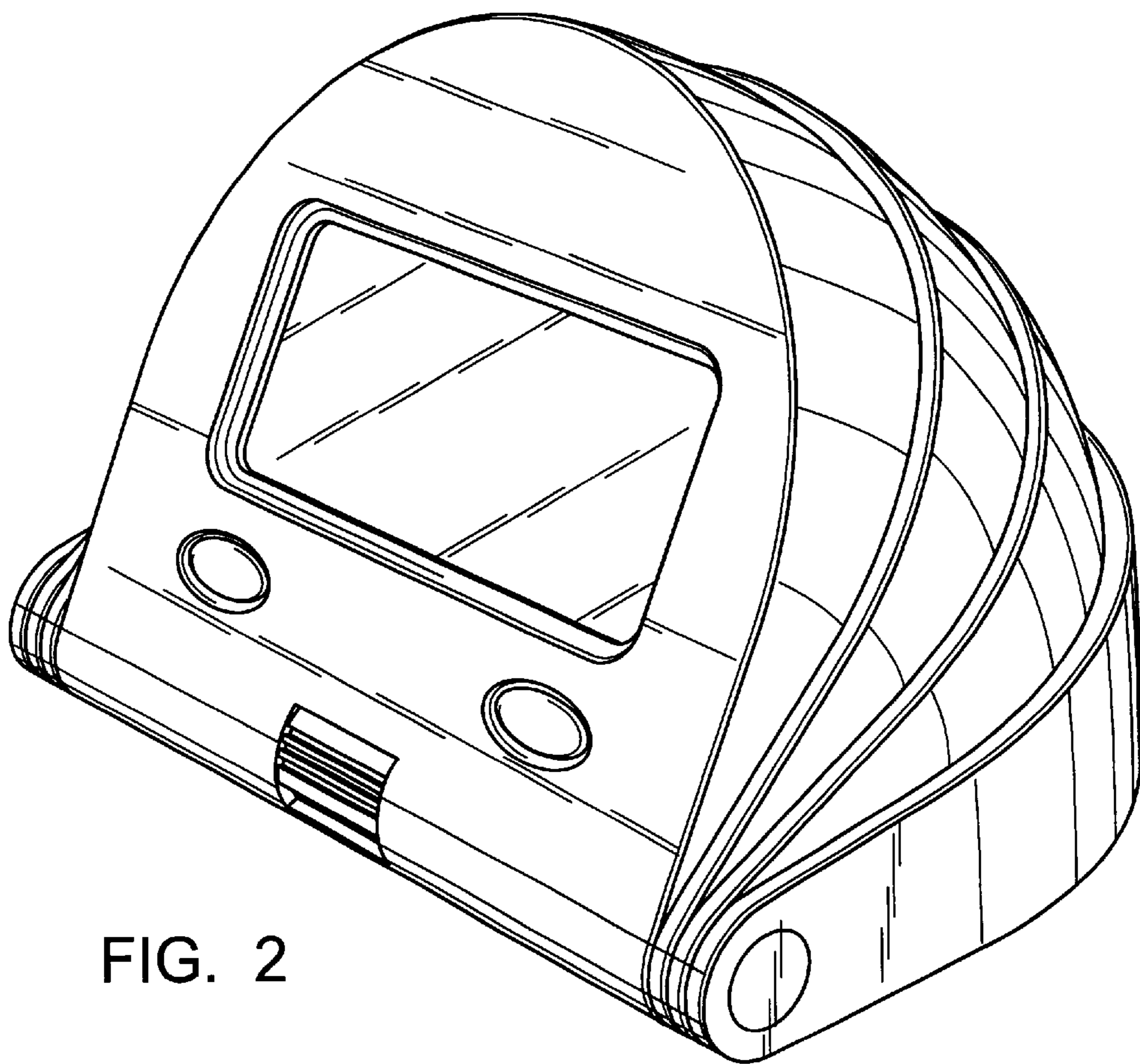


FIG. 2

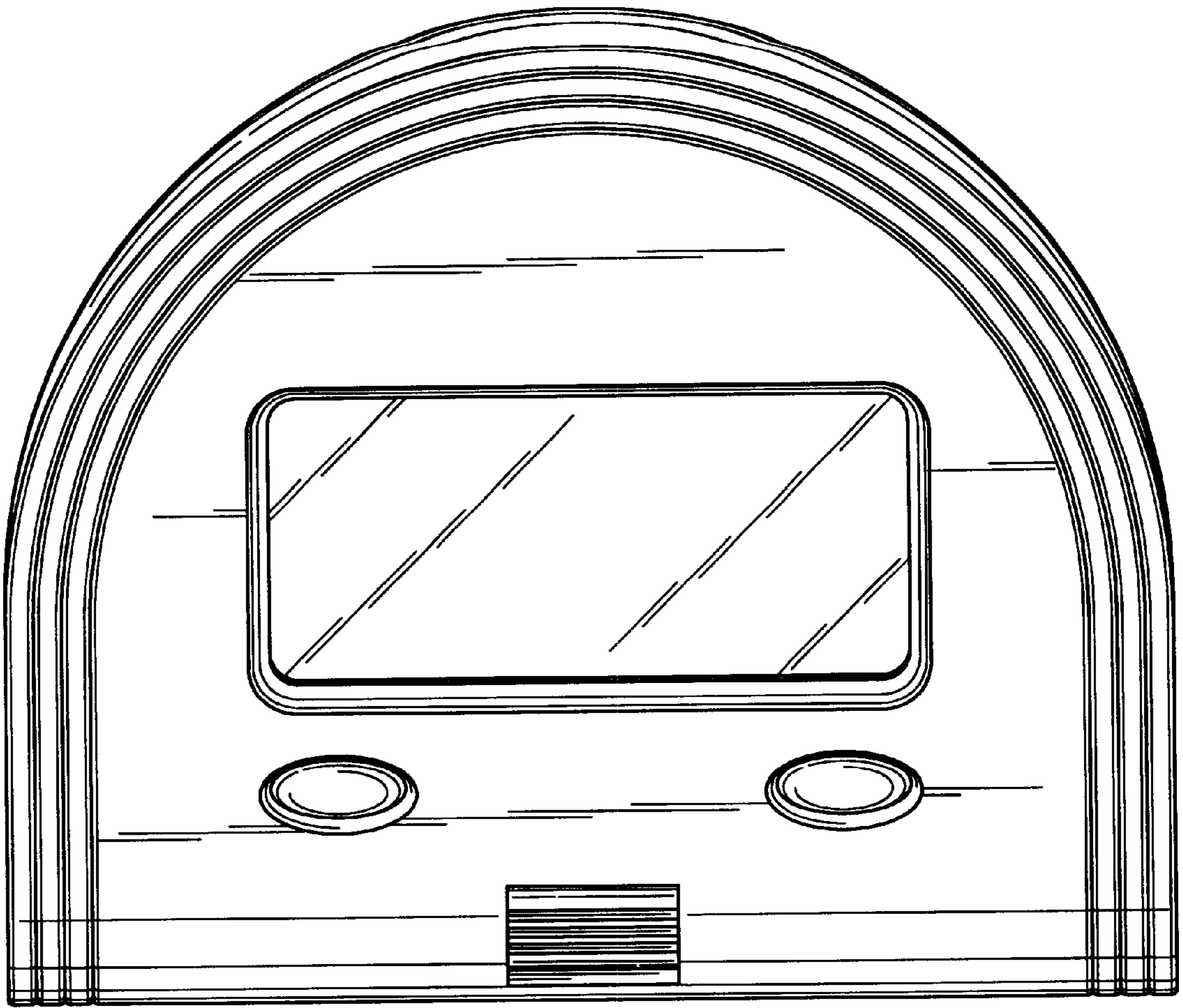


FIG. 4

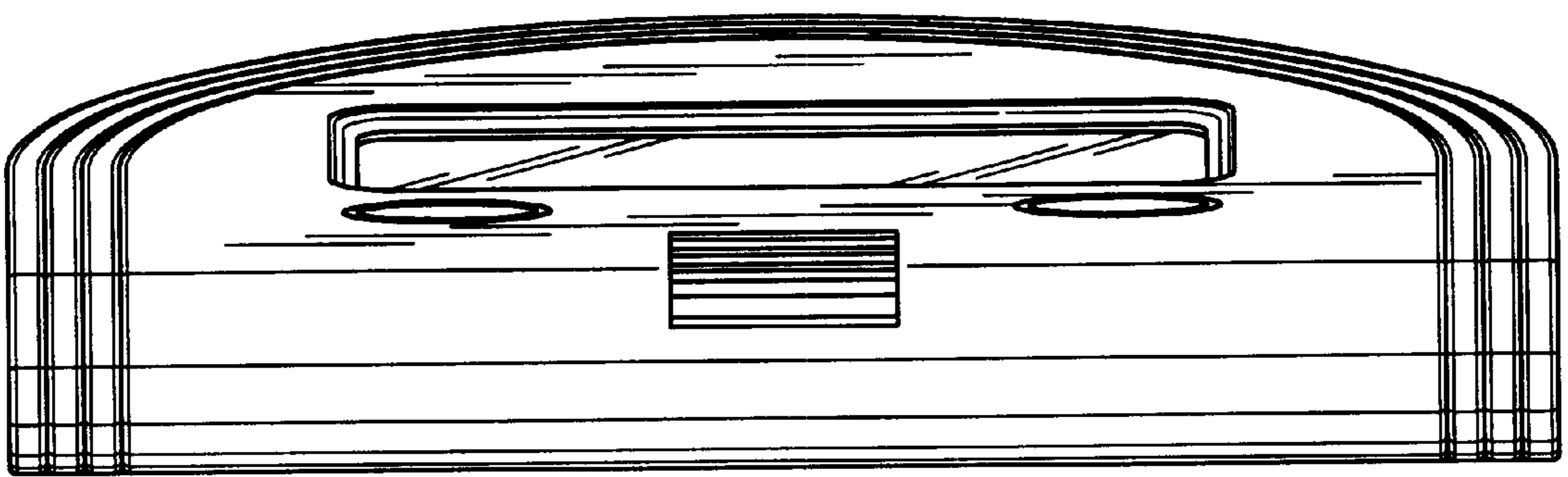


FIG. 3

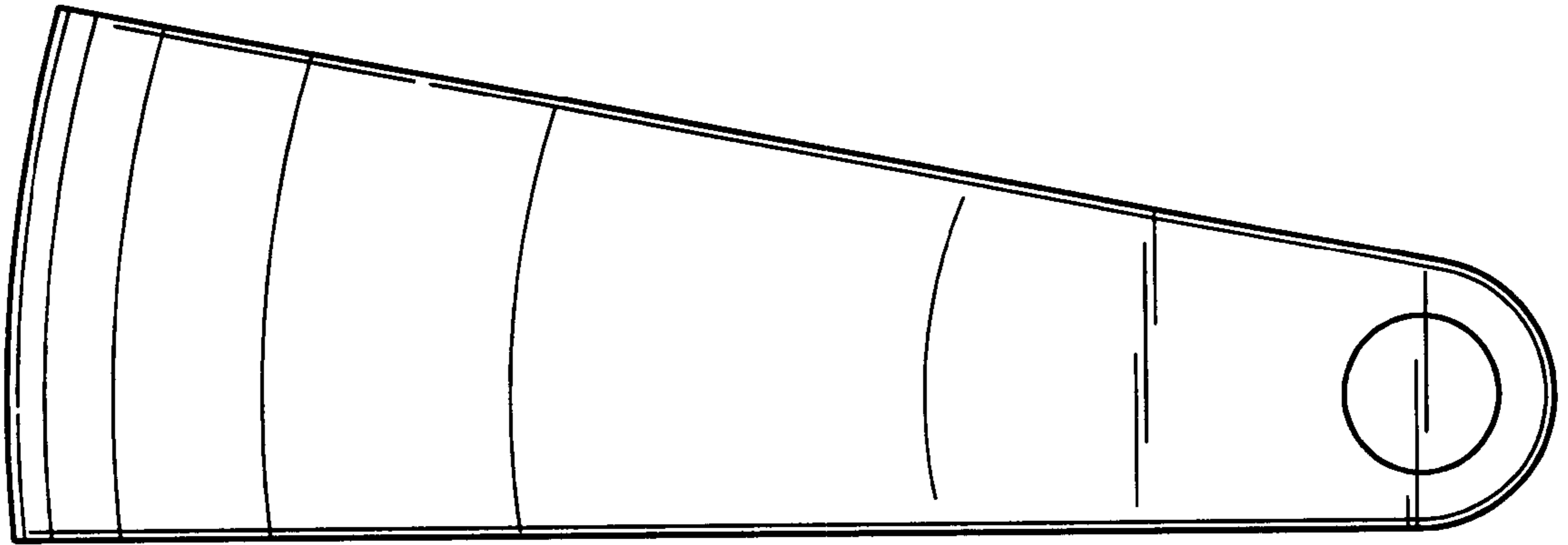


FIG. 5

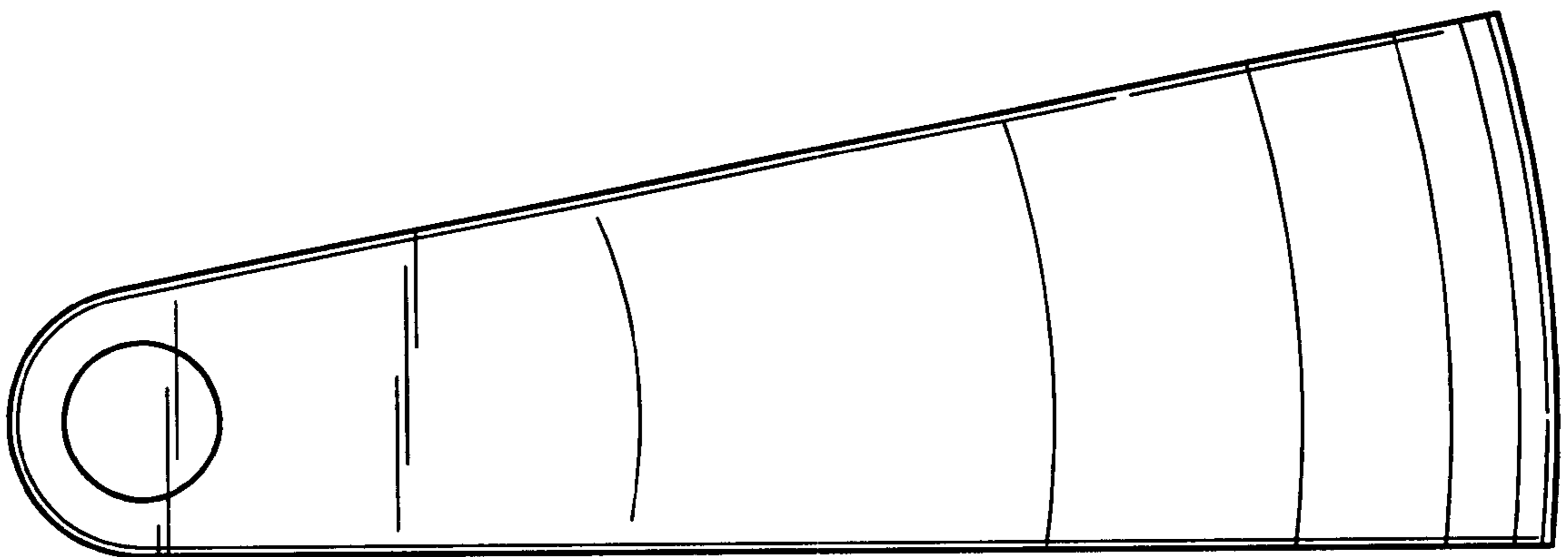


FIG. 6

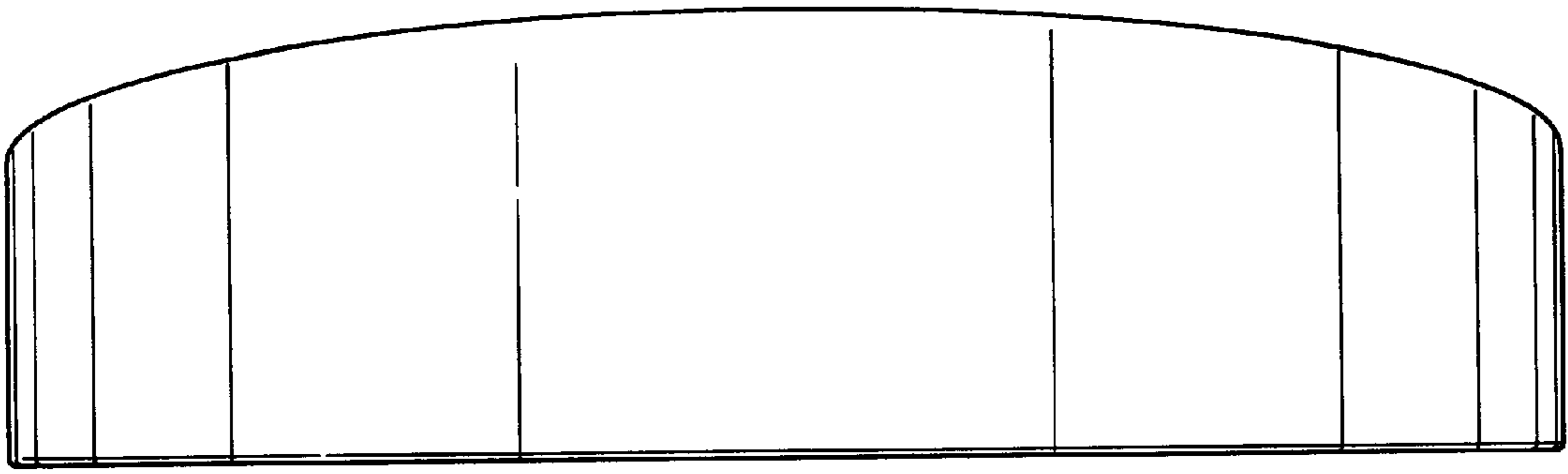


FIG. 7

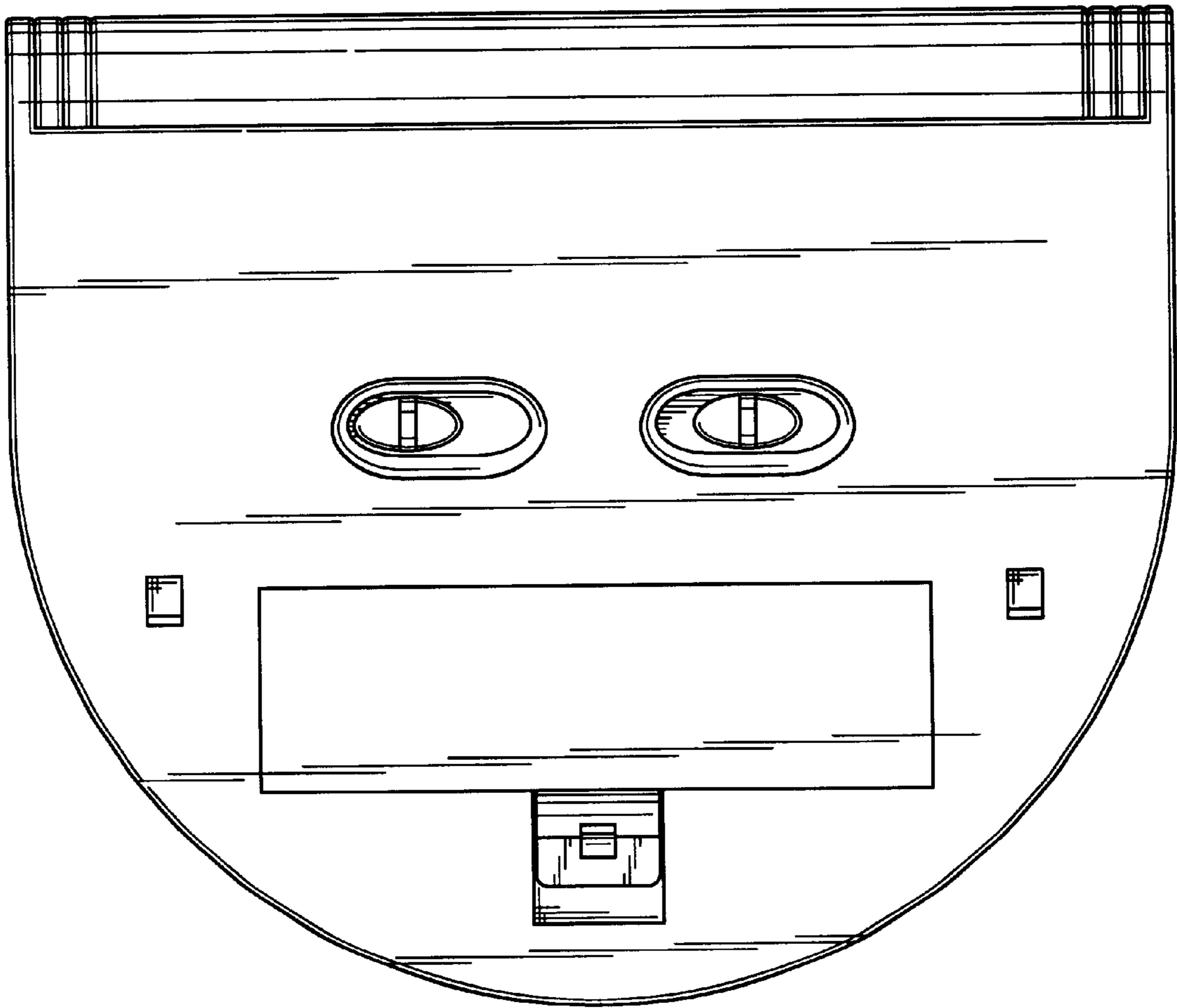


FIG. 8