



US00D475296S

(12) **United States Design Patent**  
**Lee**

(10) **Patent No.:** **US D475,296 S**

(45) **Date of Patent:** **\*\* Jun. 3, 2003**

(54) **LIQUID CONTAINER**

(75) Inventor: **Yu-Kang Lee**, Taipei (TW)

(73) Assignee: **Jung Kuo Enterprise Co., Ltd.**, Taipei (TW)

(\*\*) Term: **14 Years**

(21) Appl. No.: **29/154,862**

(22) Filed: **Feb. 1, 2002**

(51) **LOC (7) Cl.** ..... **09-01**

(52) **U.S. Cl.** ..... **D9/517; D9/560**

(58) **Field of Search** ..... D9/501, 516, 517,  
D9/560, 574; 215/382-384, 396, 398, 400;  
206/216, 546

(56) **References Cited**

**U.S. PATENT DOCUMENTS**

1,459,257	A	*	6/1923	Reger	.....	220/524
2,717,073	A	*	9/1955	Young	.....	229/120.24
D229,394	S	*	11/1973	Givenchy	.....	D9/517
3,896,927	A	*	7/1975	Dutcher	.....	206/775 X
4,196,808	A	*	4/1980	Pardo	.....	215/6 X
4,627,536	A	*	12/1986	Pugh	.....	206/426
4,629,069	A	*	12/1986	Pugh	.....	206/426
D301,546	S	*	6/1989	McCallister	.....	D9/341
D317,717	S	*	6/1991	Carol	.....	D9/341
D333,263	S	*	2/1993	Markuzov	.....	D9/241
D435,442	S	*	12/2000	Candelin	.....	D9/341
D439,156	S	*	3/2001	Hall et al.	.....	D9/341

6,227,416	B1	*	5/2001	Lee	.....	222/321.7
6,390,339	B1	*	5/2001	Lee	.....	222/321.9
D451,812	S	*	12/2001	Colonna de Giovellina	.	D9/560
D454,067	S	*	3/2002	Schoening et al.	.....	D9/517

\* cited by examiner

*Primary Examiner*—Ted Shooman

*Assistant Examiner*—Carol Rademaker

(74) *Attorney, Agent, or Firm*—Rosenberg, Klein & Lee

(57) **CLAIM**

The ornamental design for a liquid container, as shown and described.

**DESCRIPTION**

FIG. 1 is a perspective view of a liquid container showing my new design;

FIG. 2 is a front elevational view thereof;

FIG. 3 is a rear elevational view thereof;

FIG. 4 is a left side elevational view thereof;

FIG. 5 is a right side elevational view thereof;

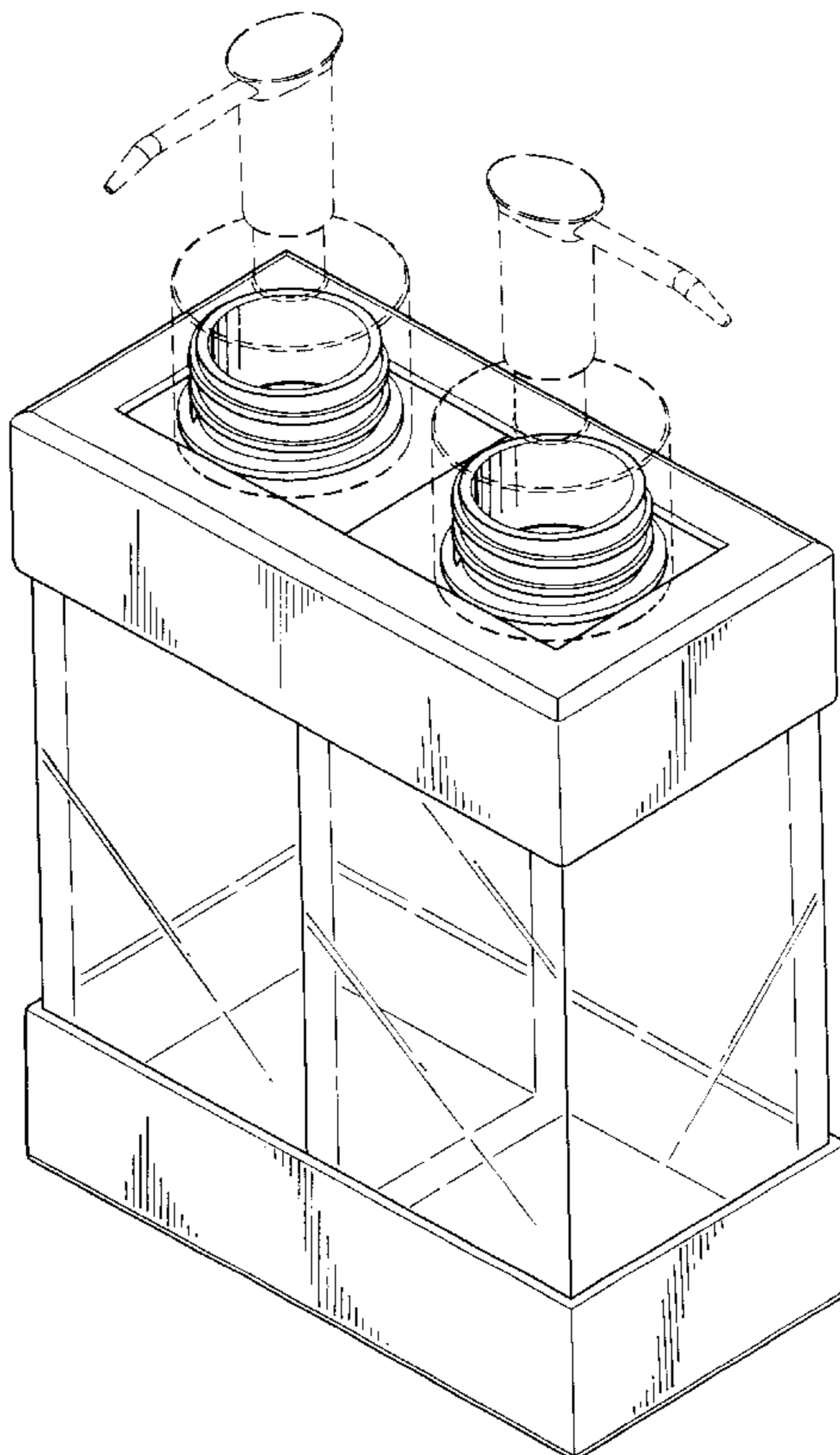
FIG. 6 is a top plan view thereof;

FIG. 7 is a bottom plan view thereof; and,

FIG. 8 is a perspective view of the liquid container shown in FIG. 1 with the environmental showing of a dispensing top.

The broken line showing of a dispensing top in FIG. 8 is for environmental purposes only and forms no part of the claimed design.

**1 Claim, 5 Drawing Sheets**



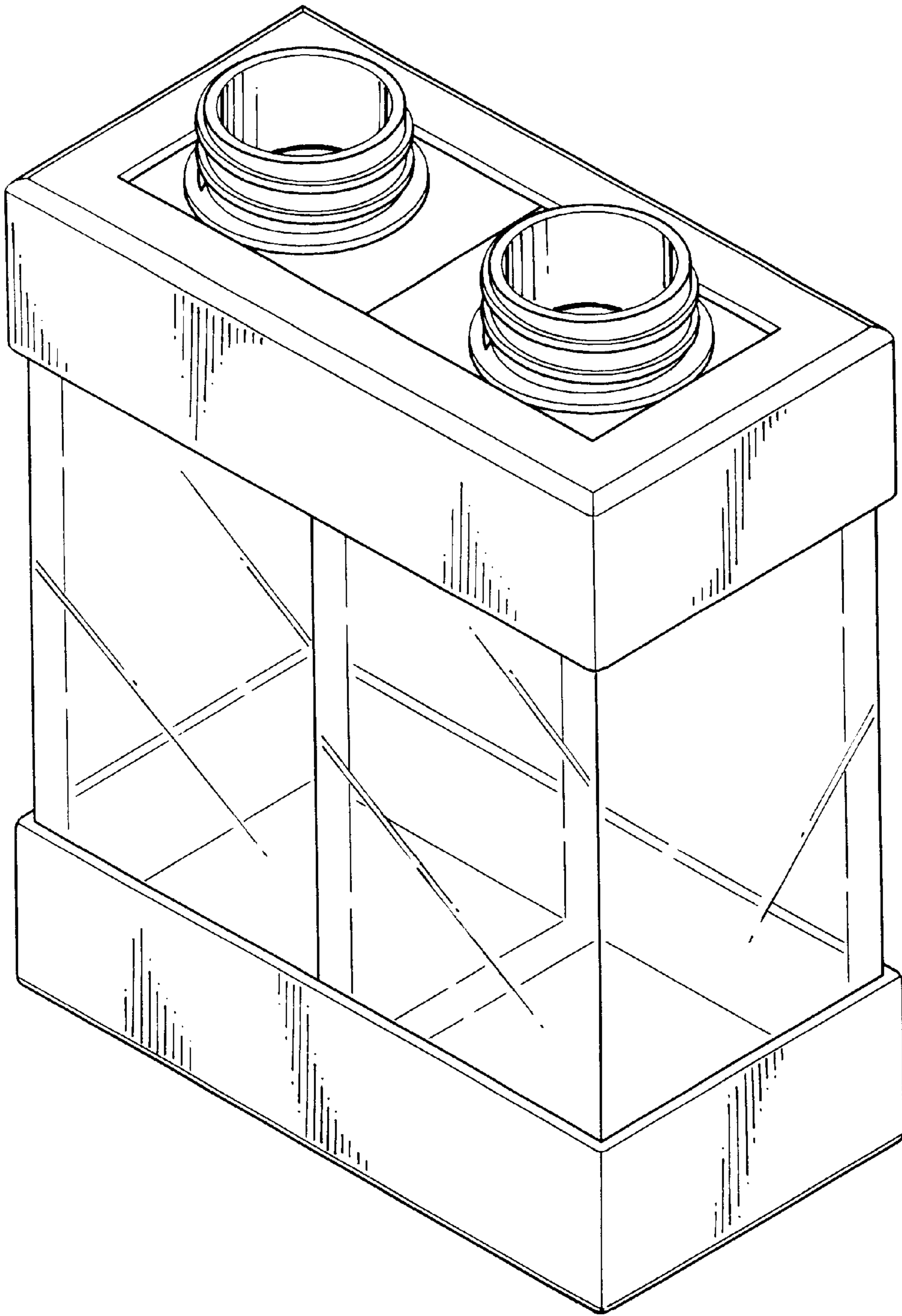


FIG. 1

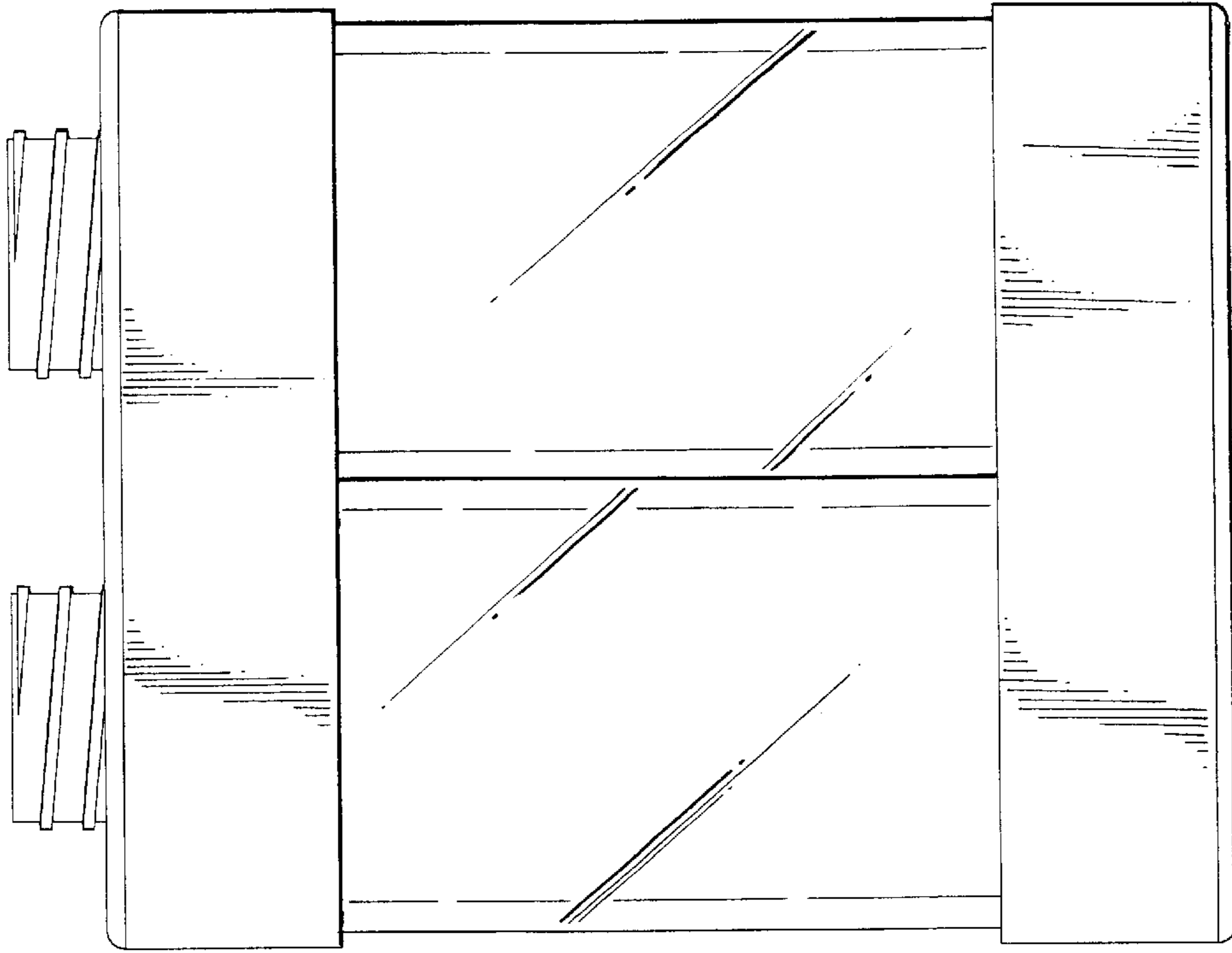


FIG. 3

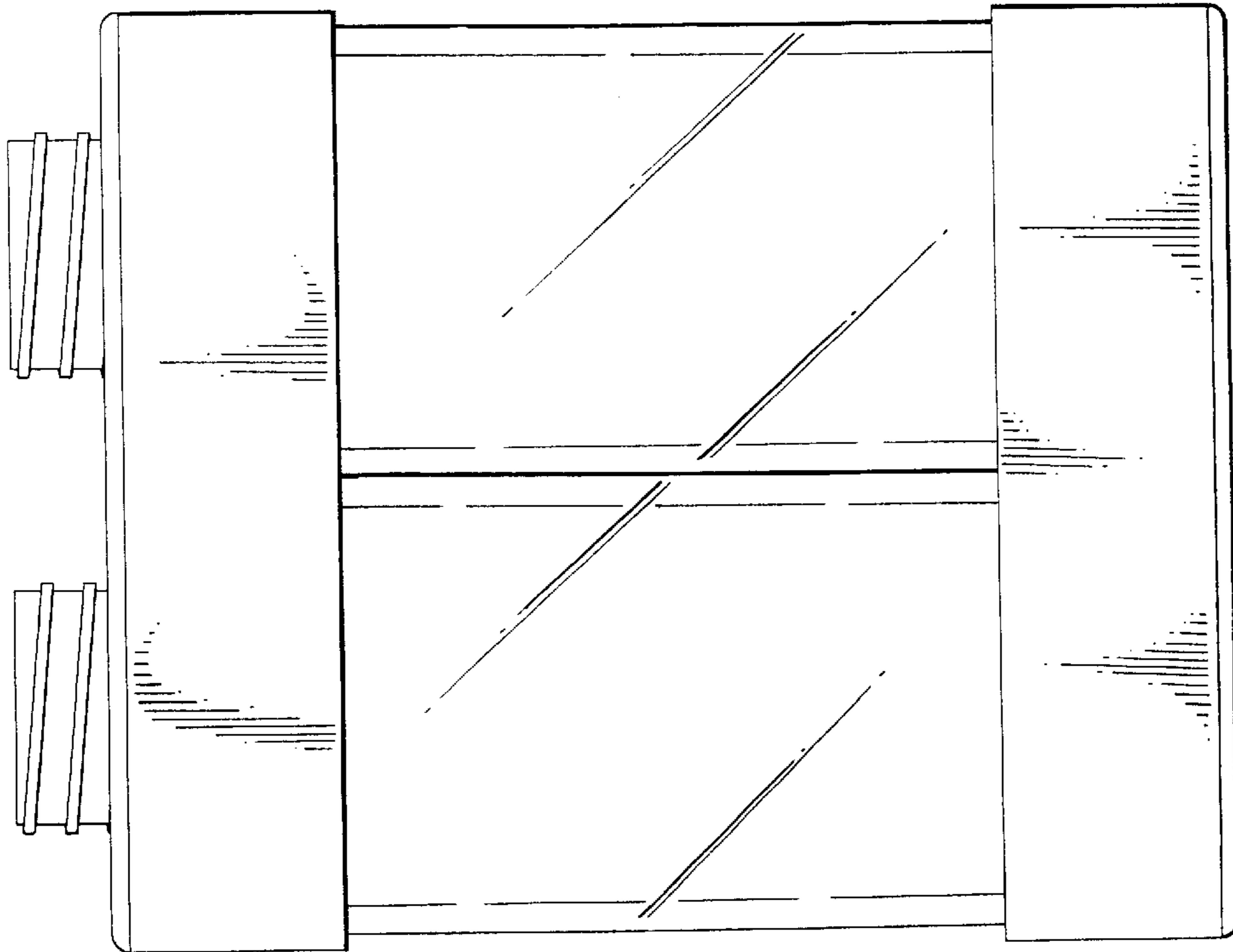


FIG. 2

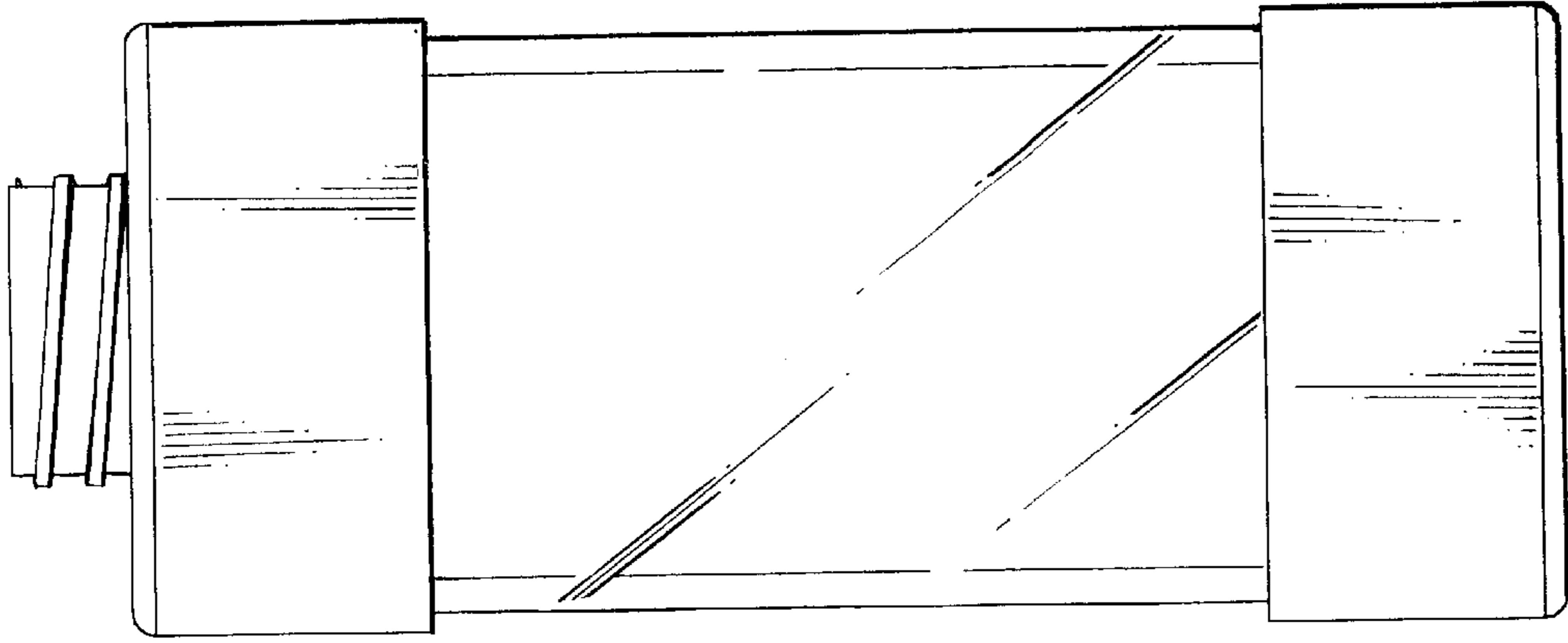


FIG. 5

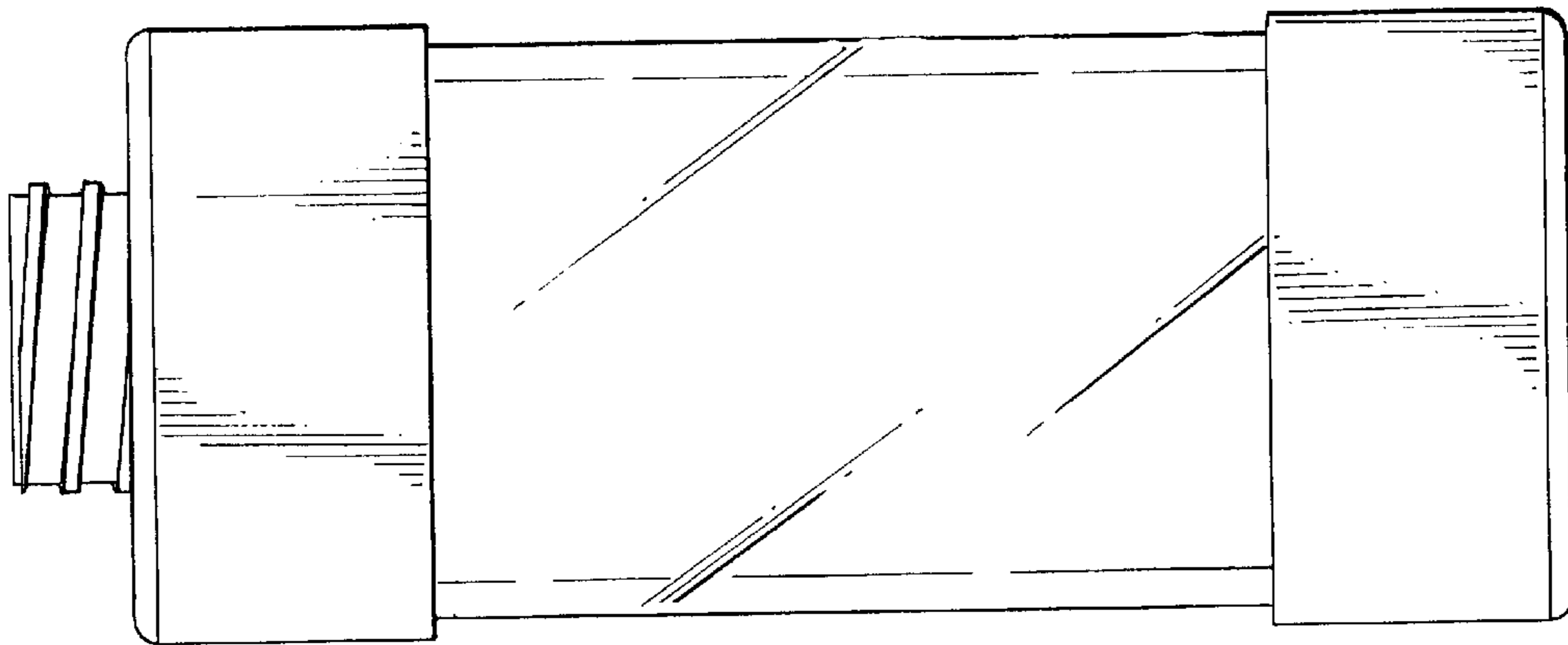


FIG. 4

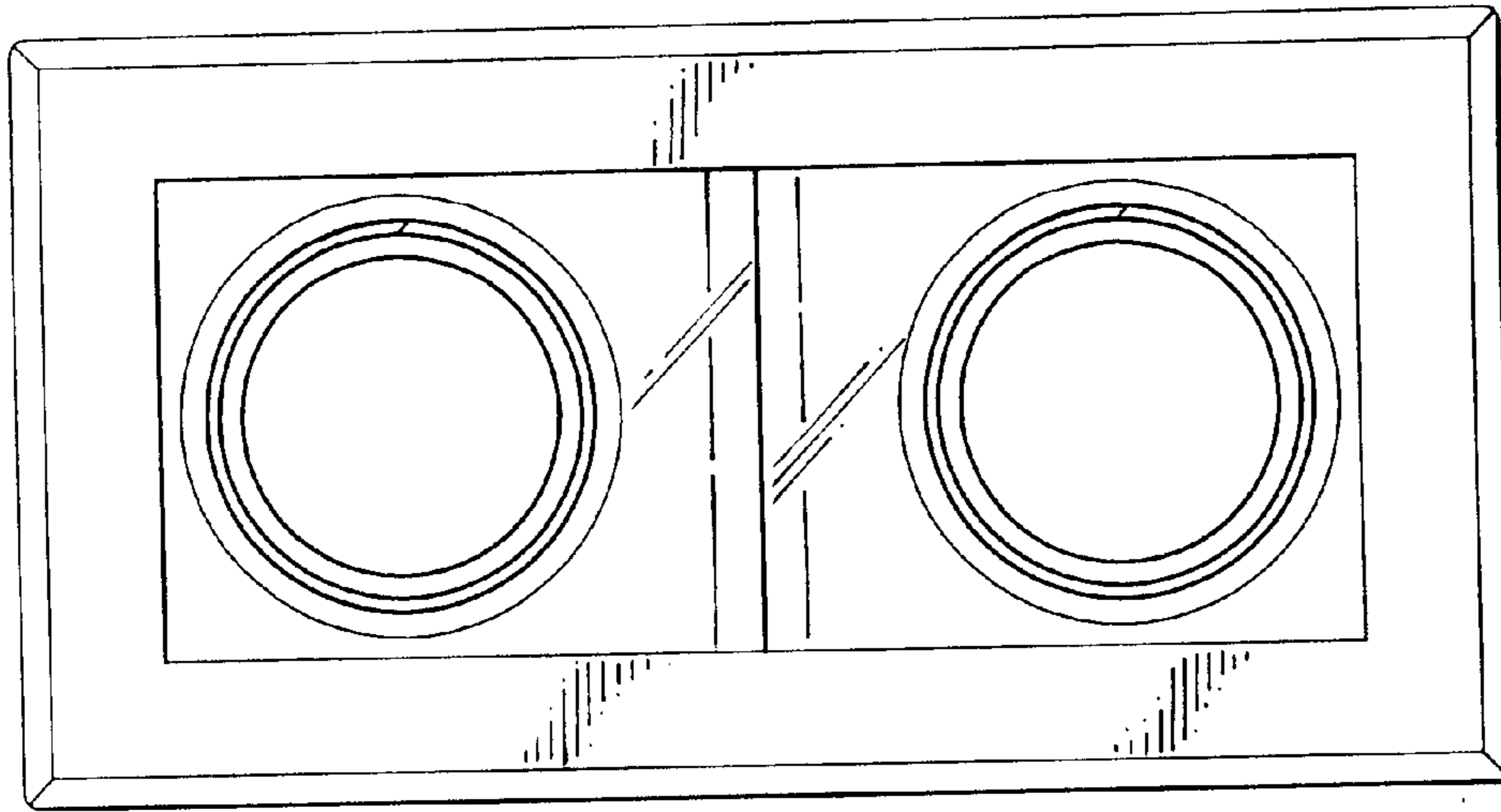


FIG. 6

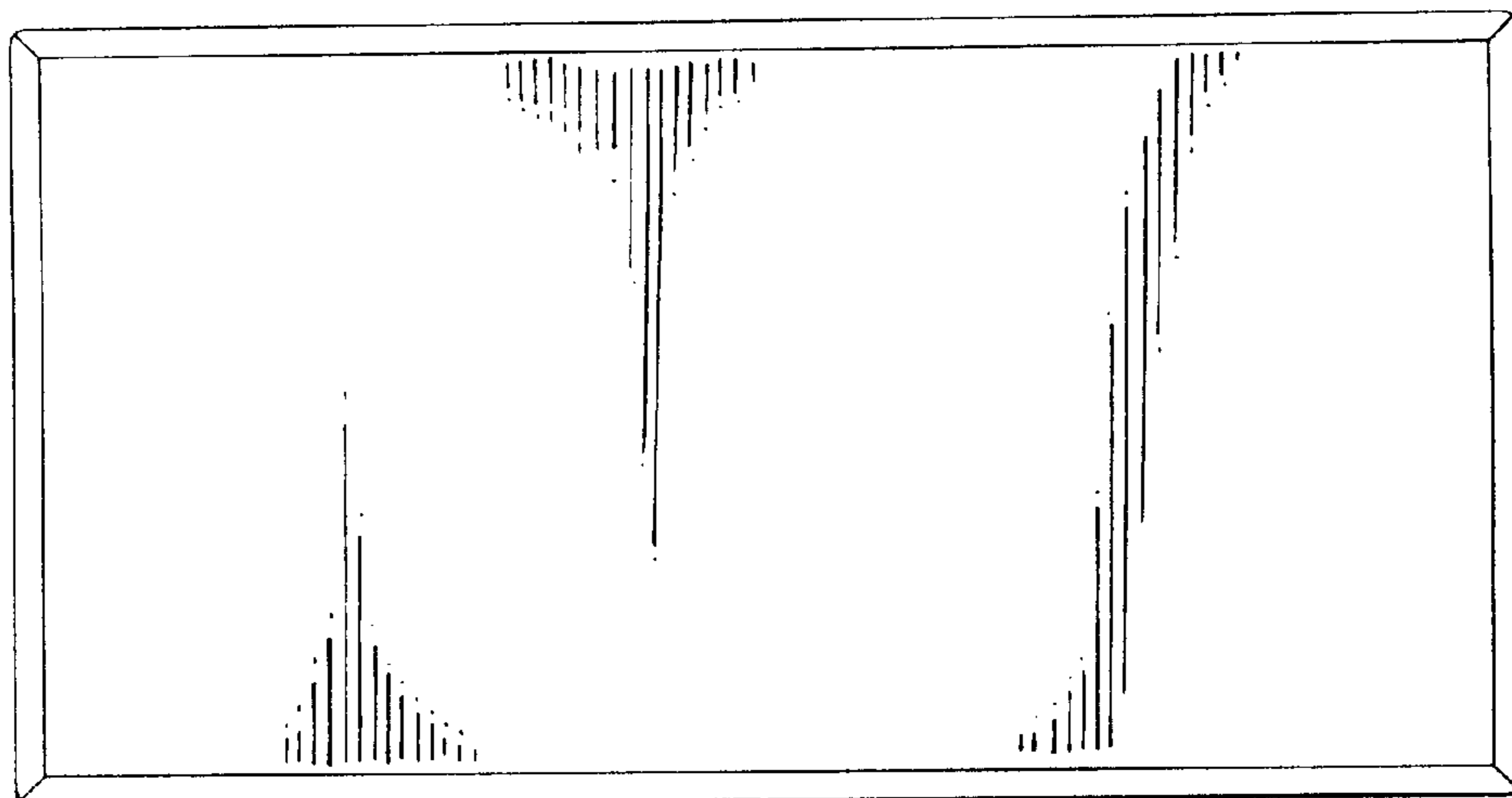


FIG. 7

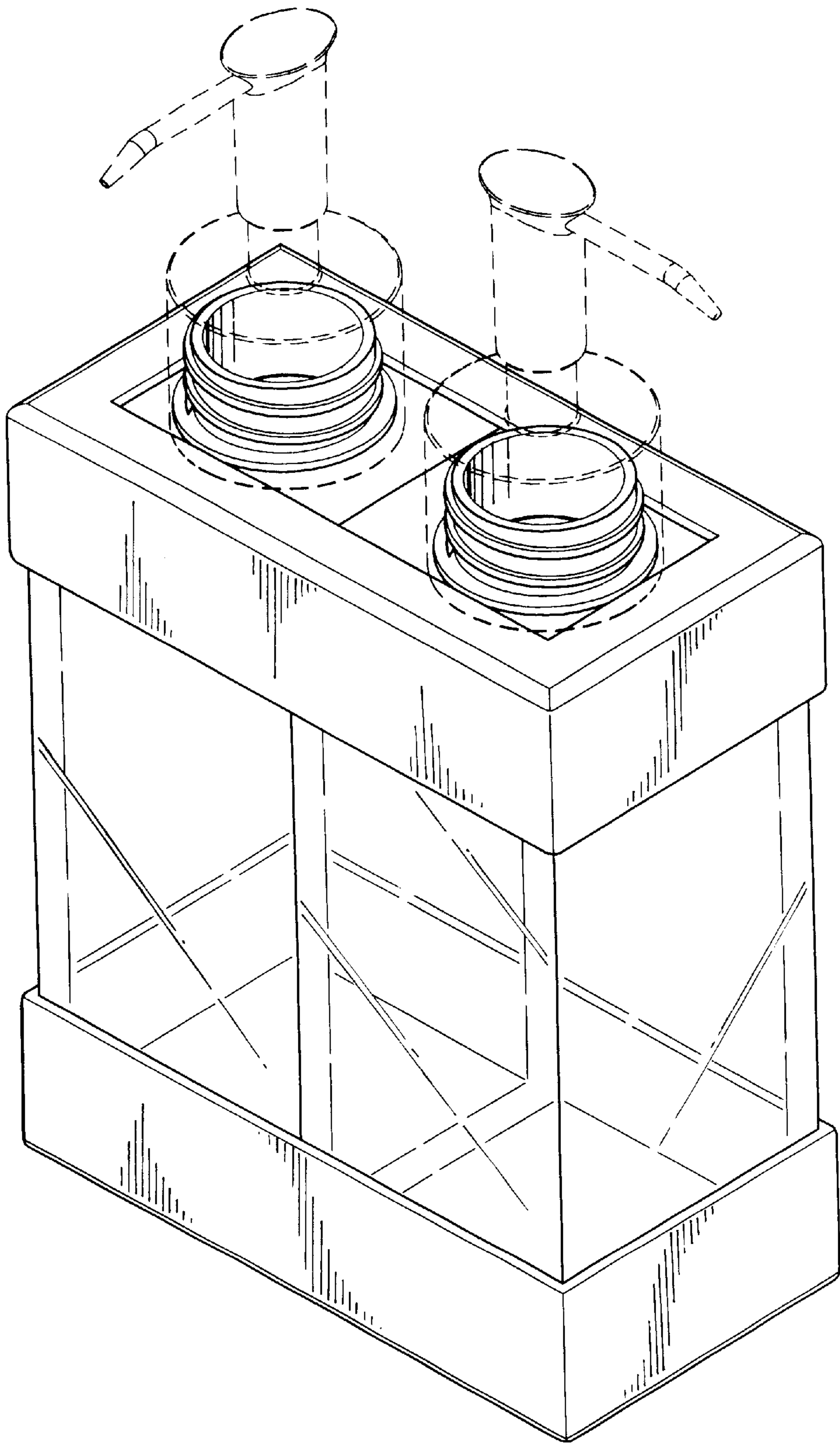


FIG. 8