



US00D475294S

(12) **United States Design Patent**
Foster et al.

(10) **Patent No.:** **US D475,294 S**

(45) **Date of Patent:** **** Jun. 3, 2003**

(54) **ERGONOMIC TRIGGER SPRAYER**

(76) Inventors: **Donald D. Foster**, 2524 Trenton Station, St. Charles, MO (US) 63303;
Jeffrey P. Stark, 14 Winding Stairway, O'Fallon, MO (US) 63366

(**) **Term:** **14 Years**

(21) **Appl. No.:** **29/104,056**

(22) **Filed:** **Apr. 27, 1999**

(51) **LOC (7) Cl.** **09-07**

(52) **U.S. Cl.** **D9/448**

(58) **Field of Search** D9/300, 435, 447, D9/448, 449; D23/213, 223-229; 215/211, 236; 222/153.14, 207, 380, 383.1, 385, 568; 239/333, 396, 397

(56) **References Cited**

U.S. PATENT DOCUMENTS

3,820,721 A *	6/1974	Hellenkamp	222/182
D243,180 S	1/1977	Federico et al.	
4,204,614 A	5/1980	Reeve	
4,527,741 A *	7/1985	Garneau	239/333
D285,713 S	9/1986	Garneau	
D314,507 S	2/1991	Brabeck et al.	
5,152,461 A	10/1992	Proctor	
D332,652 S	1/1993	Foster et al.	
5,207,359 A	5/1993	Steijns	
D336,846 S	6/1993	Proctor	
D342,899 S	1/1994	Battegazzore	
D343,577 S	1/1994	Proctor	
5,303,867 A	4/1994	Peterson	
D346,547 S	5/1994	Steijns et al.	
D351,646 S	10/1994	Foster et al.	
D352,546 S	11/1994	Silvenis et al.	

5,373,973 A	12/1994	Foster	
5,467,900 A	11/1995	Maas et al.	
5,477,989 A	12/1995	Maas et al.	
D366,692 S	1/1996	Wadsworth	
D373,313 S *	9/1996	Lin	D9/448
D377,602 S	1/1997	Wadsworth	
5,639,025 A	6/1997	Bush	
5,711,459 A	1/1998	Glynn	
5,752,626 A	5/1998	Bachand	

* cited by examiner

Primary Examiner—Robert M. Spear

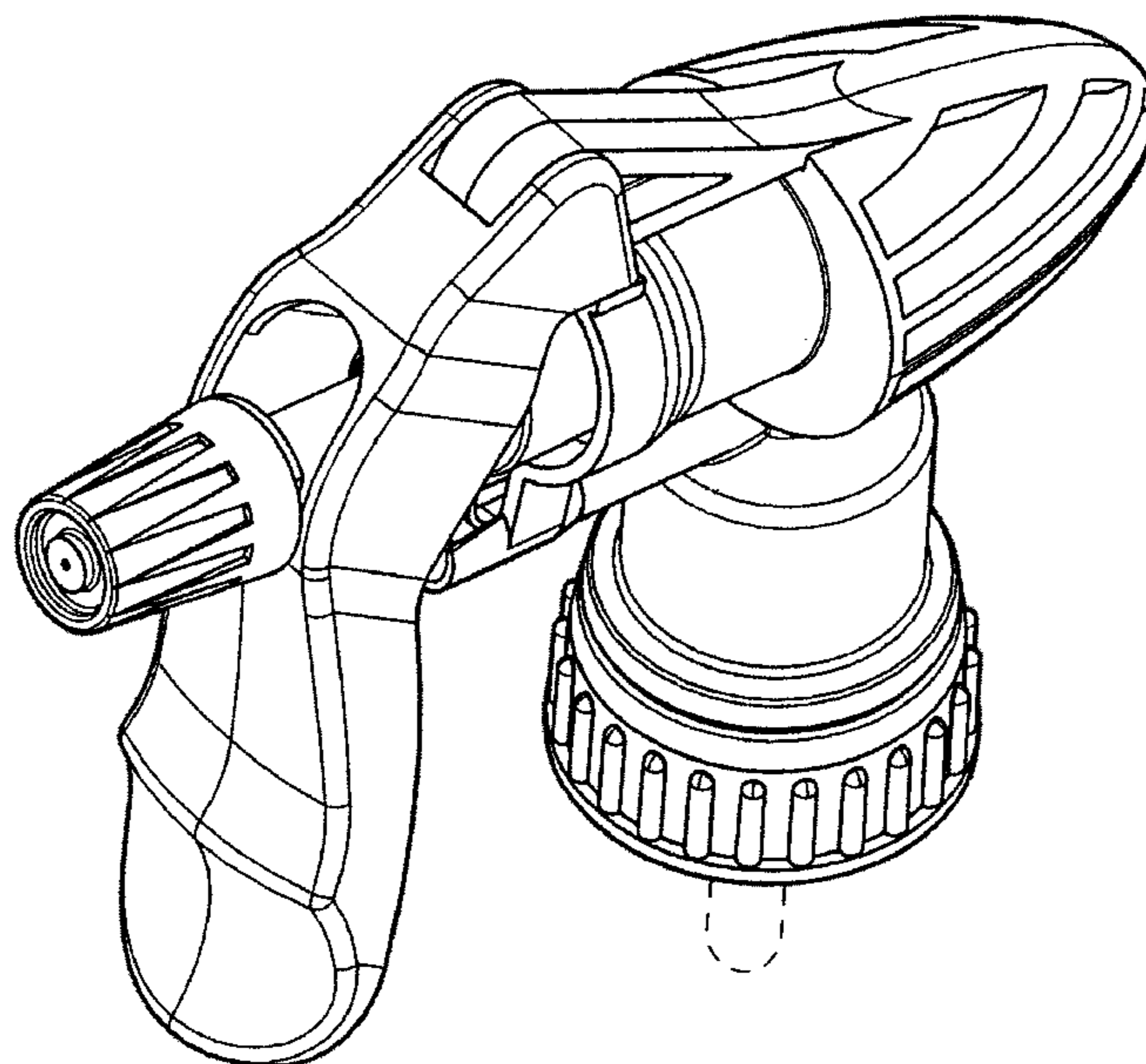
(57) **CLAIM**

The ornamental design for an ergonomic trigger sprayer, as shown and described.

DESCRIPTION

FIG. 1 is a perspective view of the front of the ergonomic trigger sprayer showing my new design;
 FIG. 2 is a perspective view of the rear of the trigger sprayer of FIG. 1;
 FIG. 3 is a perspective view of the side of the trigger sprayer of FIG. 1;
 FIG. 4 is a side elevation view of the trigger sprayer of FIG. 1, the opposite side view being a mirror image thereof;
 FIG. 5 is a front elevation view of the trigger sprayer of FIG. 1;
 FIG. 6 is a rear elevation view of the trigger sprayer of FIG. 1;
 FIG. 7 is a bottom plan view of the trigger sprayer of FIG. 1; and,
 FIG. 8 is a top plan view of the trigger sprayer of FIG. 1.
 The broken lines in the drawings are for illustrative purposes only and form no part of the claimed design.

1 Claim, 8 Drawing Sheets



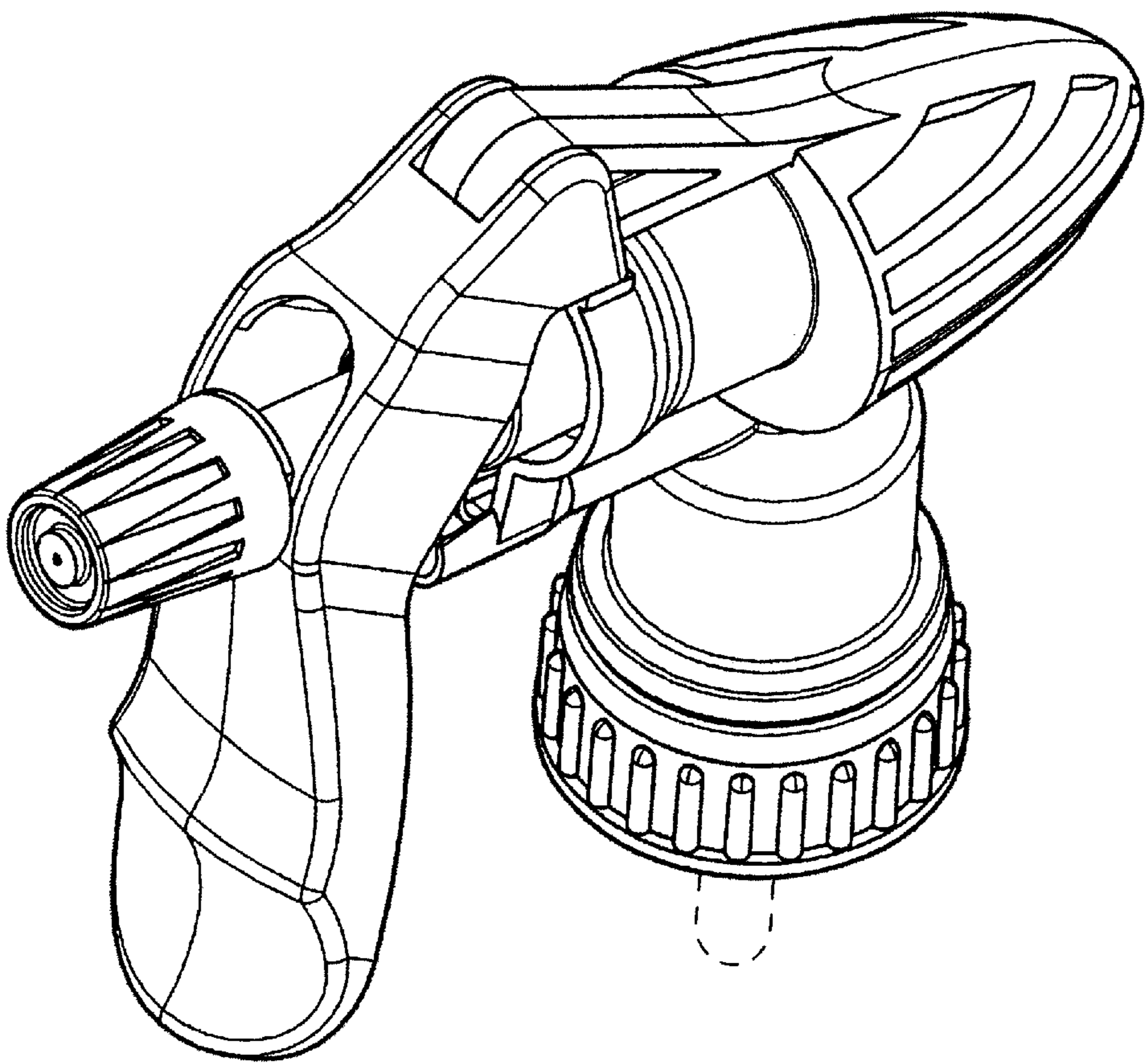


Fig. 1

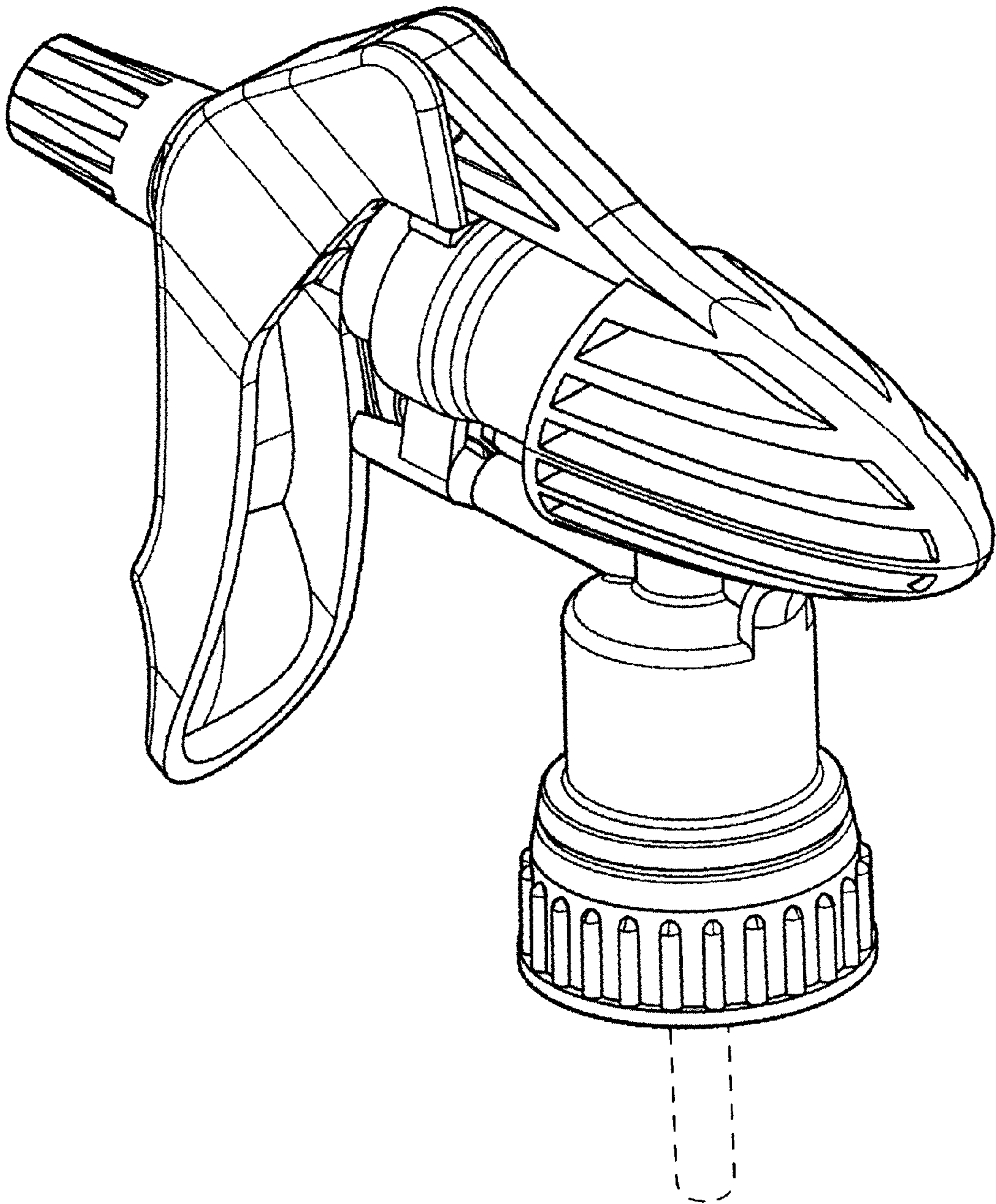


Fig. 2

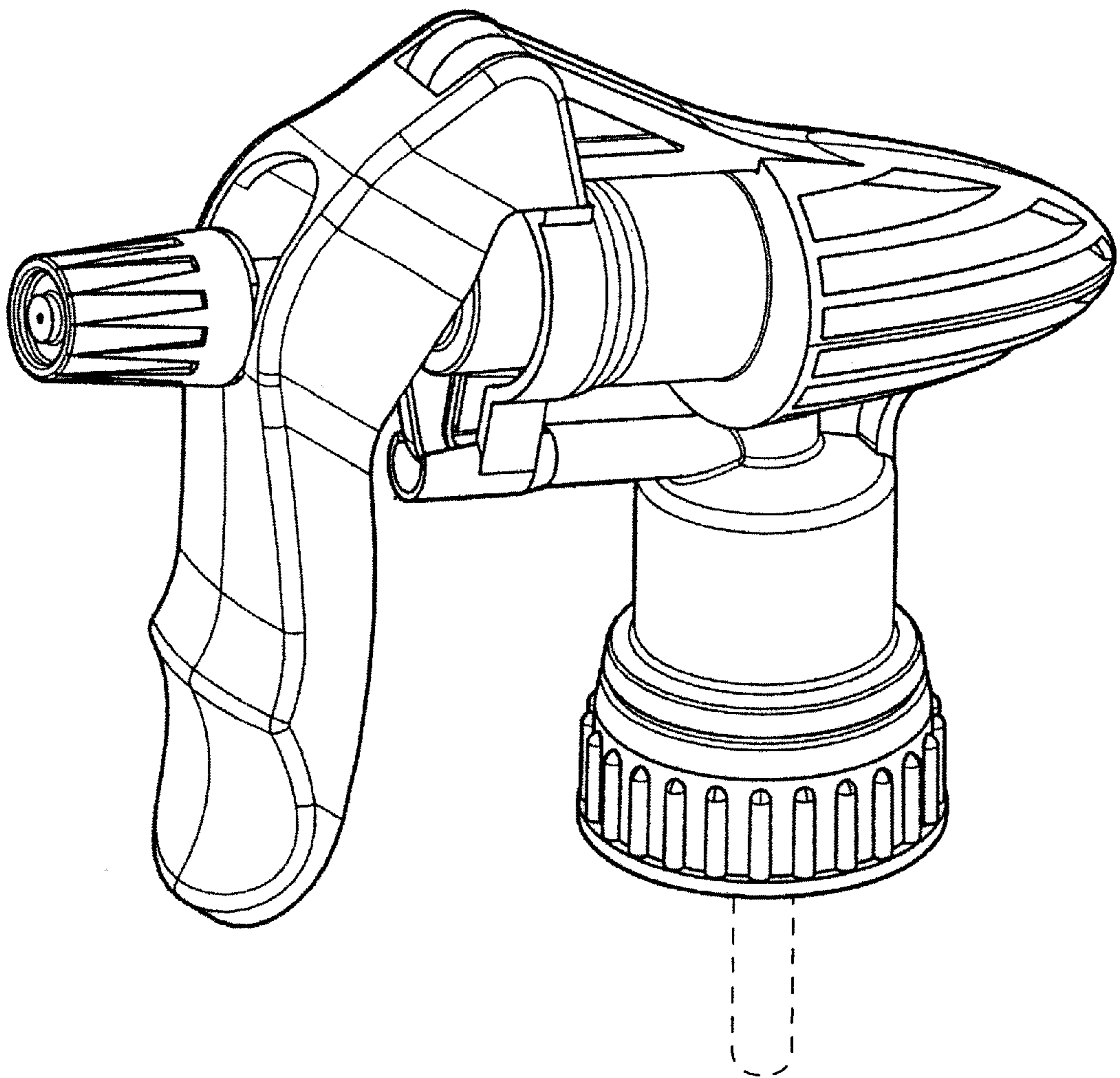


Fig. 3

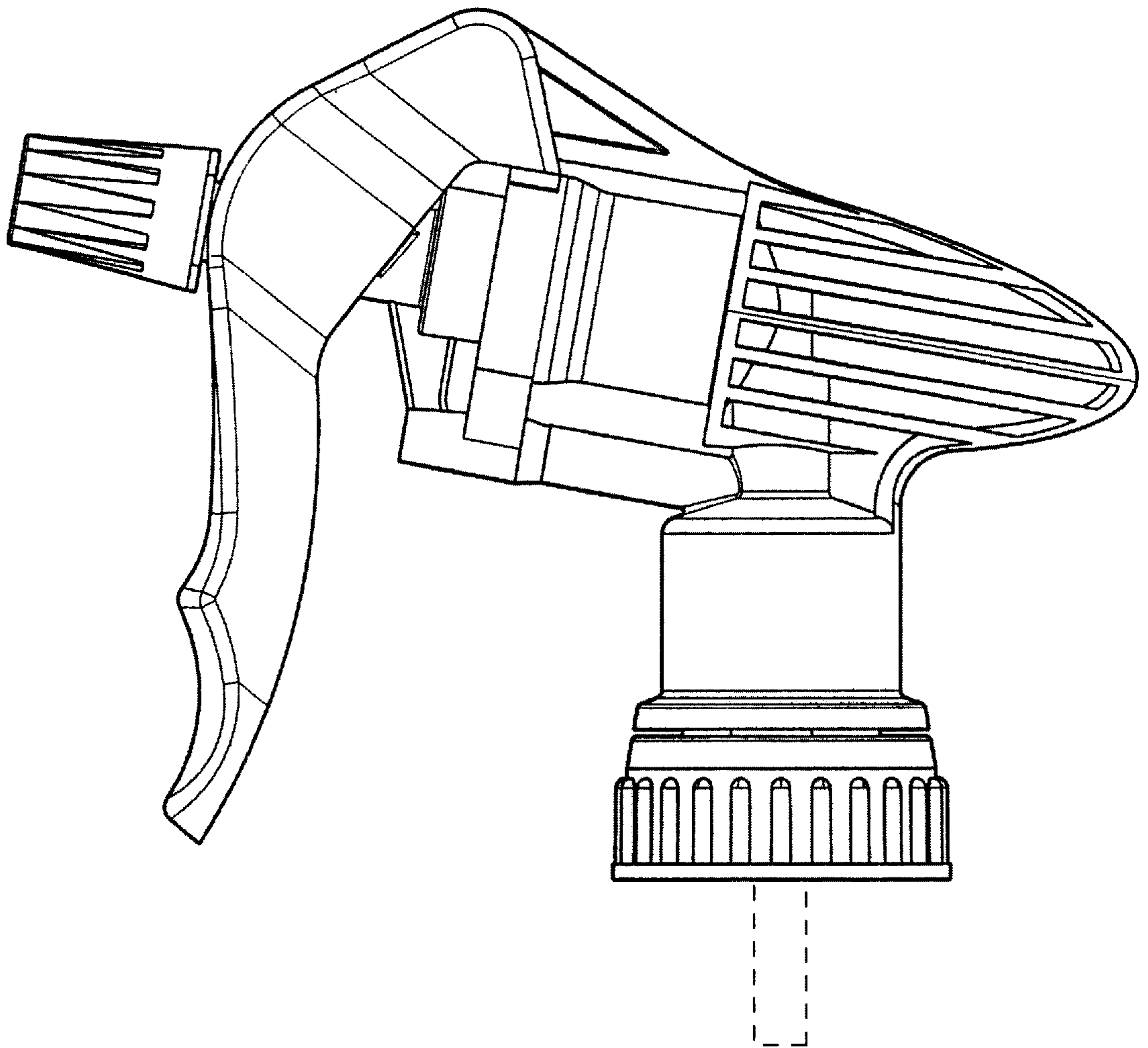


Fig. 4

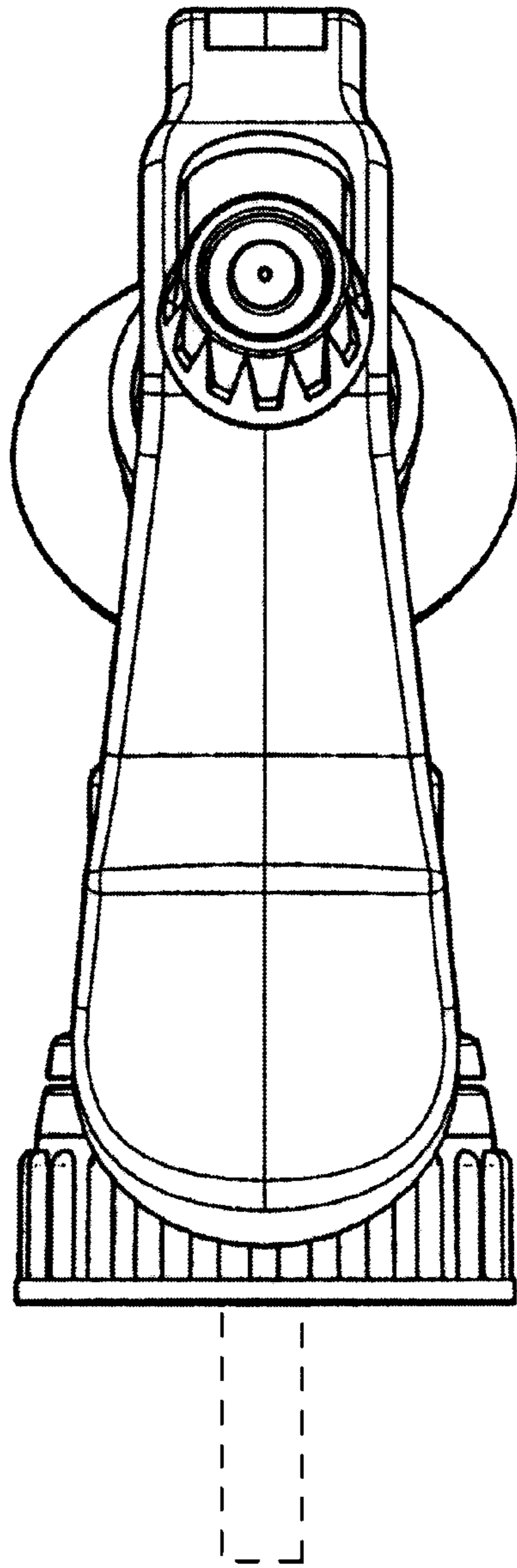


Fig. 5

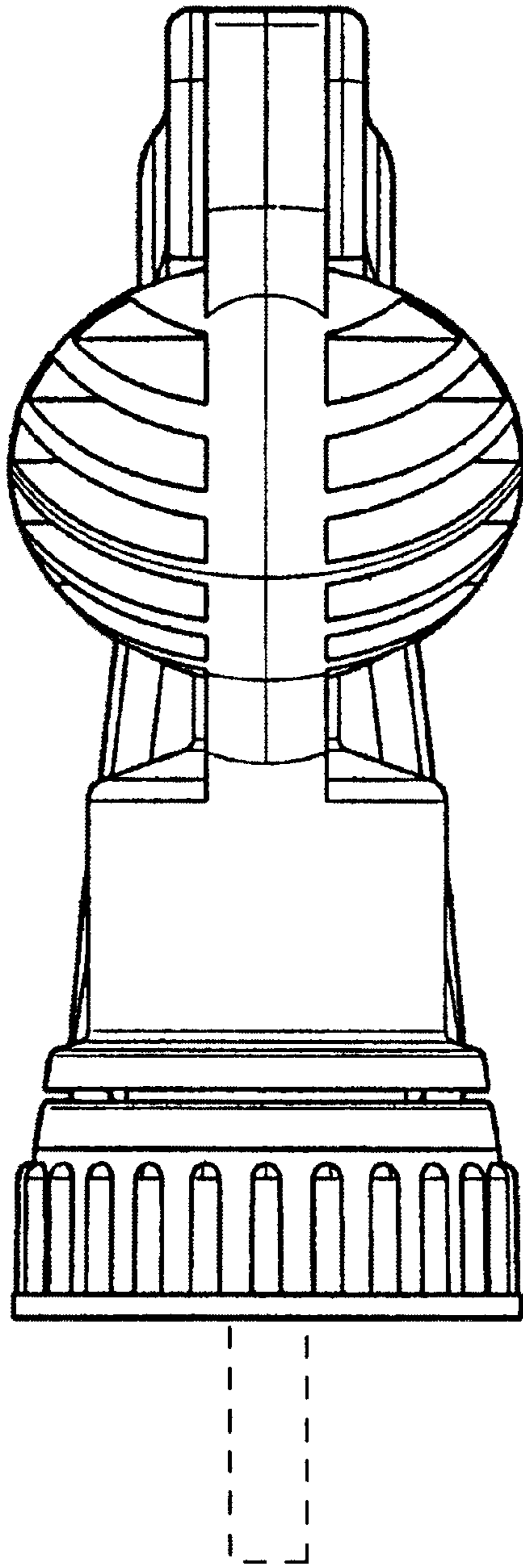


Fig. 6

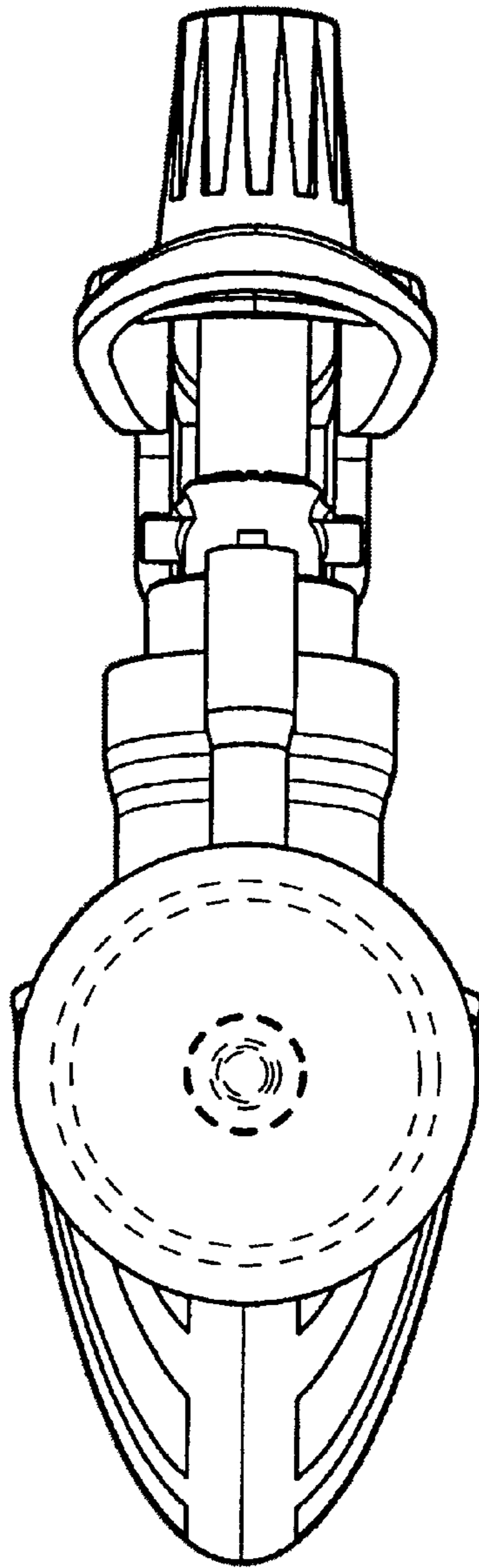


Fig. 7

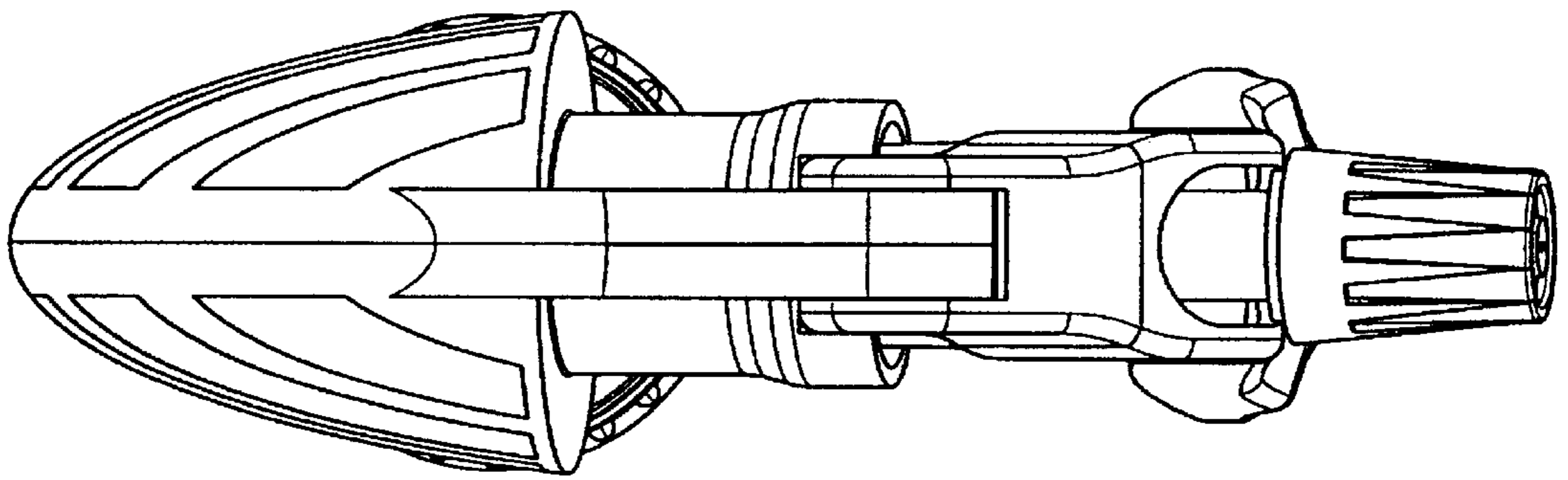


Fig. 8