



US00D475290S

(12) **United States Design Patent**  
**Cooper**

(10) **Patent No.:** **US D475,290 S**

(45) **Date of Patent:** **\*\* Jun. 3, 2003**

(54) **SIDEWALL DETAIL FOR A BEVERAGE BOTTLE**

D439,542 S \* 3/2001 Turner et al. .... D11/90

\* cited by examiner

(75) Inventor: **John A. Cooper**, Philadelphia, PA (US)

*Primary Examiner*—Ralf Seifert

(73) Assignee: **Chatam International, Incorporated**,  
Wilmington, DE (US)

(74) *Attorney, Agent, or Firm*—Paul & Paul

(\*\*) Term: **14 Years**

(57) **CLAIM**

The ornamental design of a sidewall detail for a beverage bottle, as shown and described.

(21) Appl. No.: **29/164,943**

**DESCRIPTION**

(22) Filed: **Aug. 2, 2002**

(51) **LOC (7) Cl.** ..... **09-07**

(52) **U.S. Cl.** ..... **D9/434; D11/90**

(58) **Field of Search** ..... D11/1, 2, 26–29,  
D11/89–92; 63/26–28, 32; D20/37; D9/516,  
307, 320, 434

FIG. 1 is a front view of a sidewall detail for a beverage bottle.

FIG. 2 is an enlarged front view of the sidewall detail for a beverage bottle, of FIG. 1.

FIG. 3 is a right side view of the sidewall detail for a beverage bottle, of FIG. 2, taken along the line III—III FIG. 2, the left side view of which is a mirror image thereof

FIG. 4 is a bottom view of the sidewall detail for a beverage bottle, of FIG. 2, taken along the line IV—IV FIG. 2, the top view of which is a mirror image thereof; and,

FIG. 5 is a rear view of the sidewall detail for a beverage bottle, of FIG. 2.

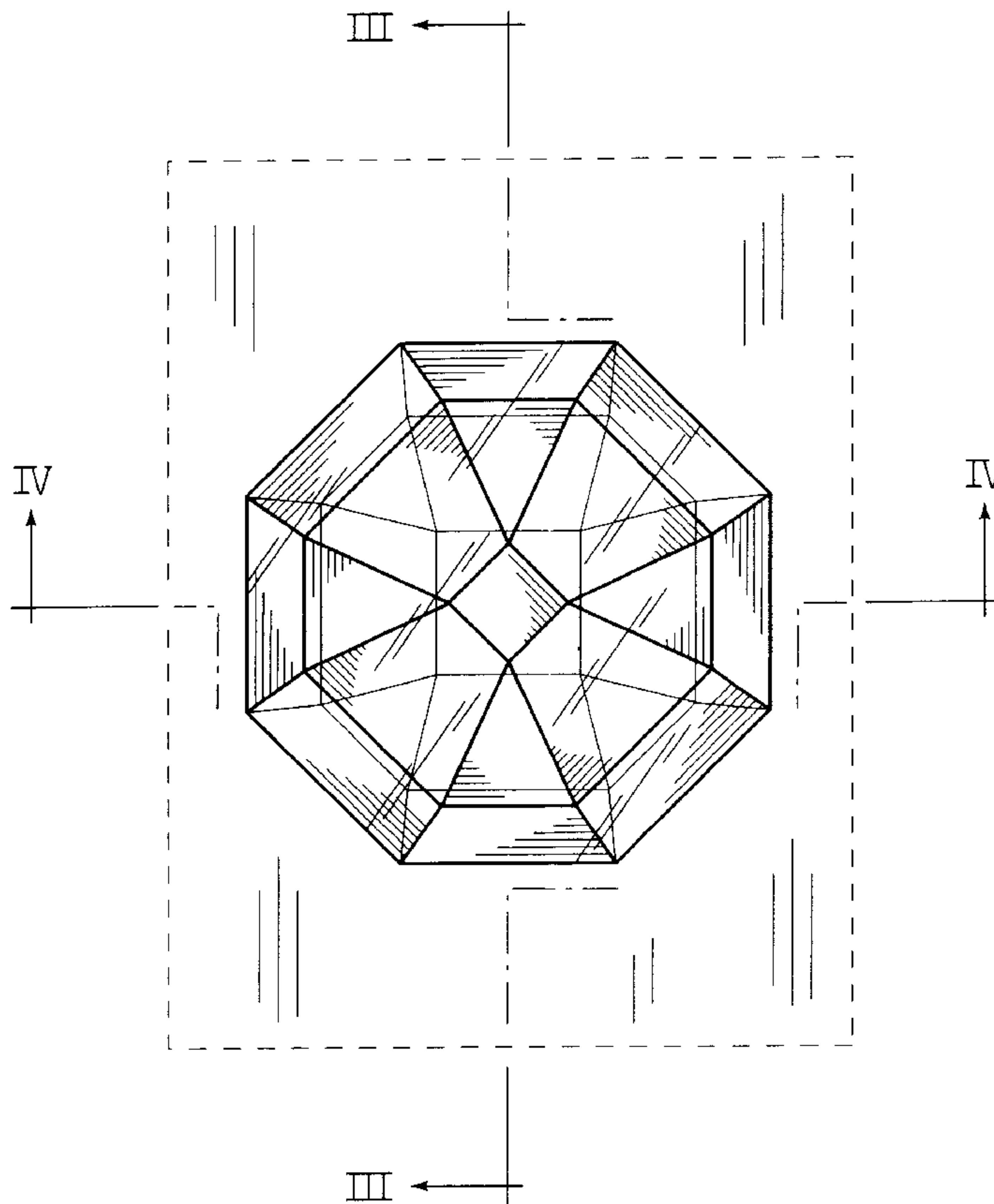
The dotted lines illustrate environmental structure and do not form part of the design.

(56) **References Cited**

**U.S. PATENT DOCUMENTS**

D217,229 S	*	4/1970	Onthank	.....	D9/320
D270,340 S	*	8/1983	Sun	.....	D11/125
D270,433 S	*	9/1983	Sun	.....	D11/129
D275,269 S	*	8/1984	Sun	.....	D11/121
D277,936 S	*	3/1985	Tobias	.....	D9/307
D308,477 S	*	6/1990	Ordell	.....	D9/320

**1 Claim, 5 Drawing Sheets**



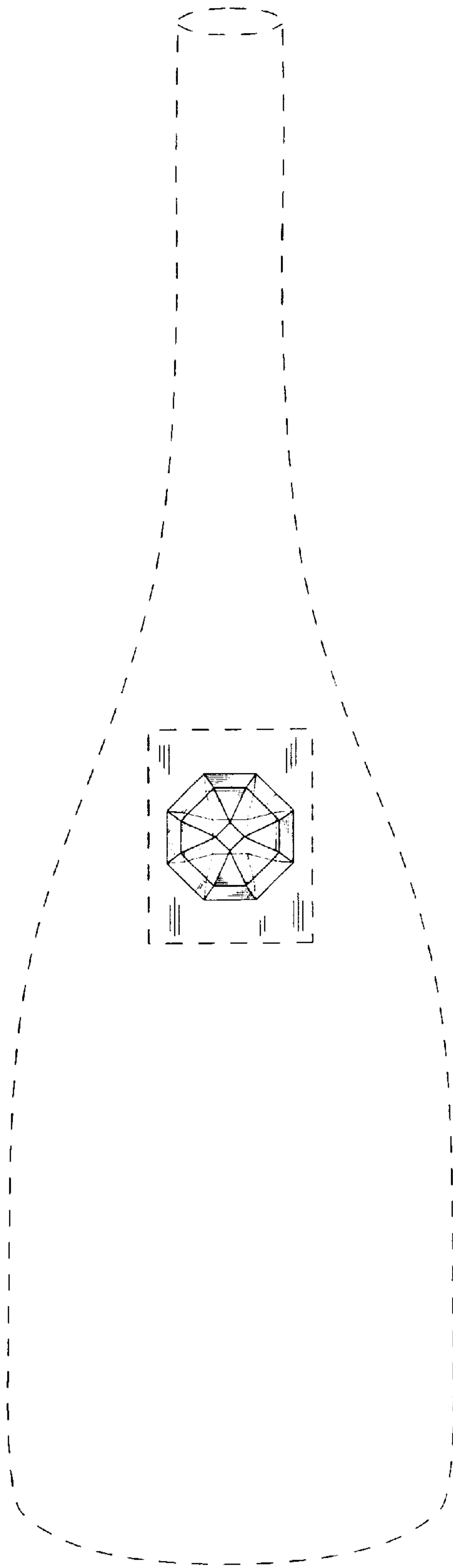


FIG. 1

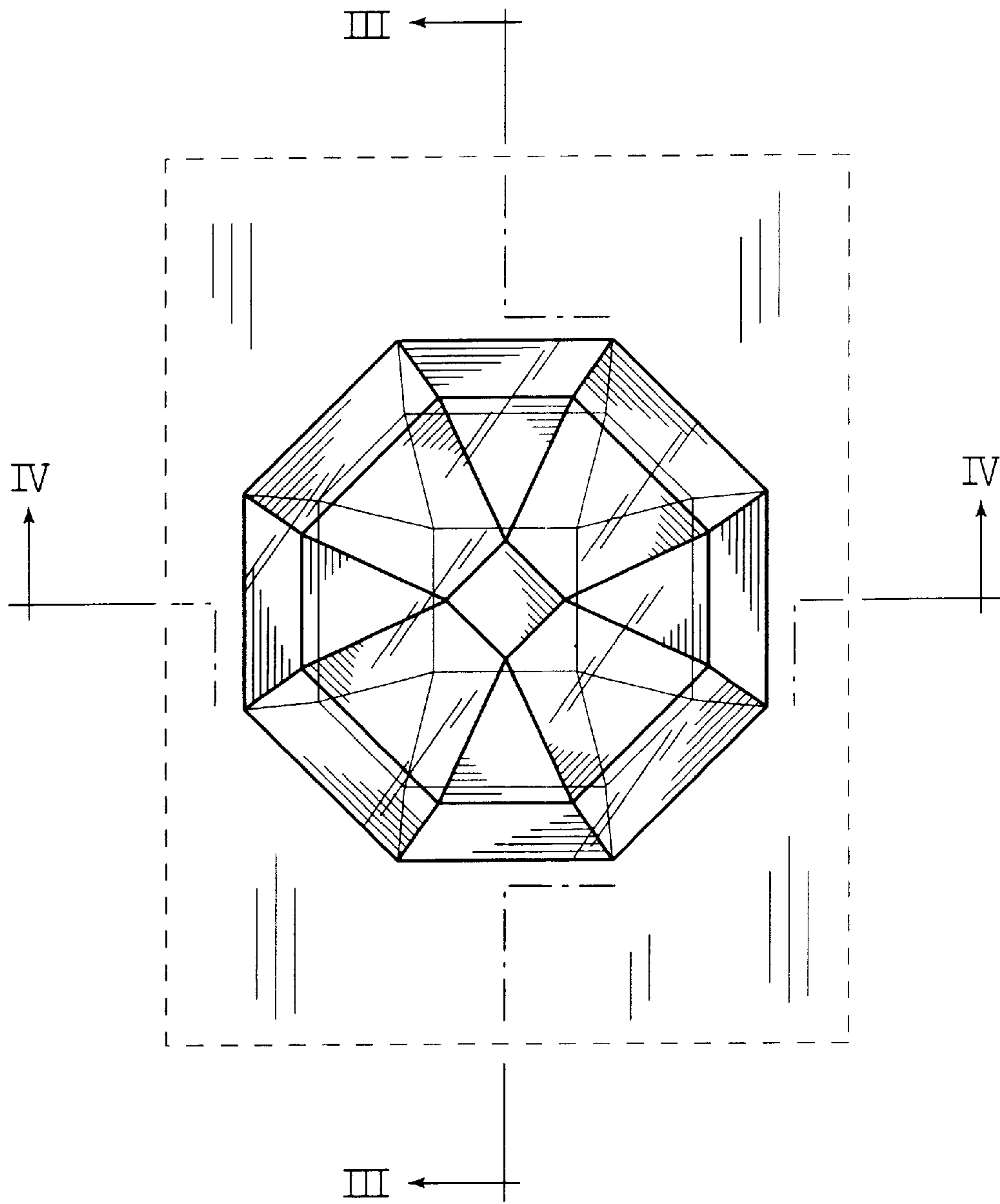


FIG. 2

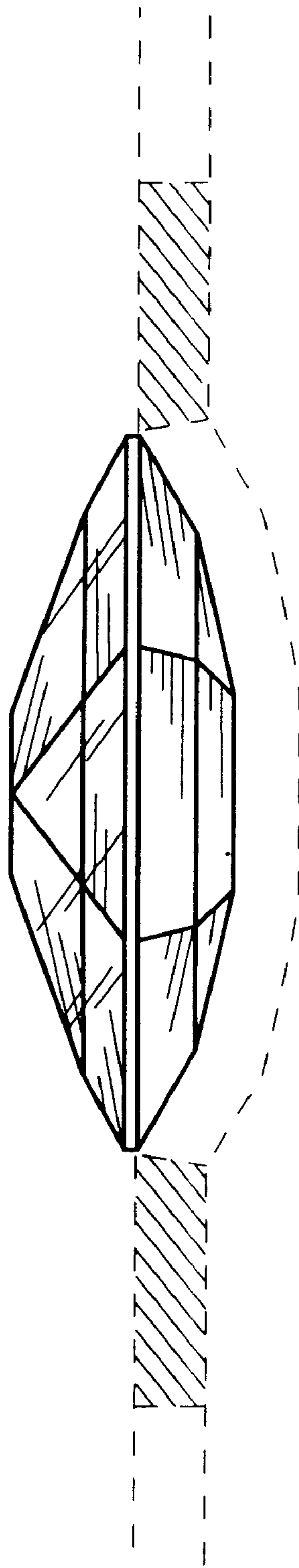


FIG. 3

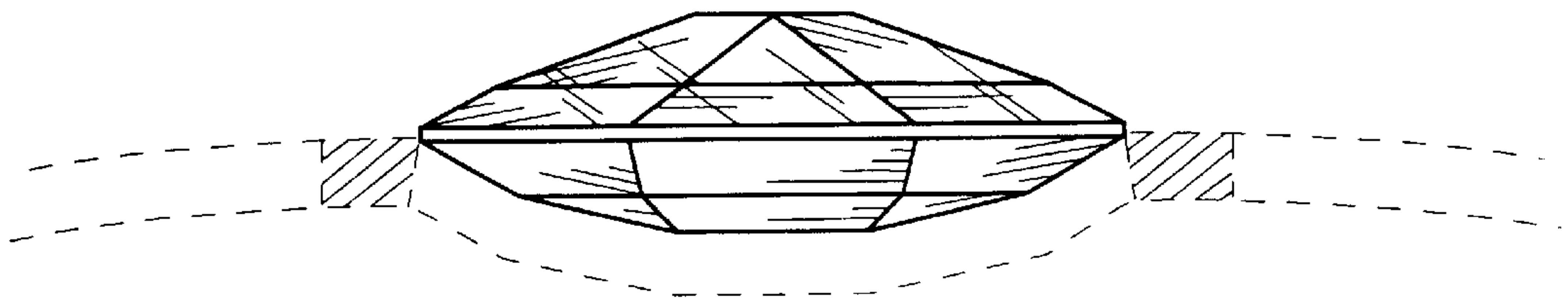


FIG. 4

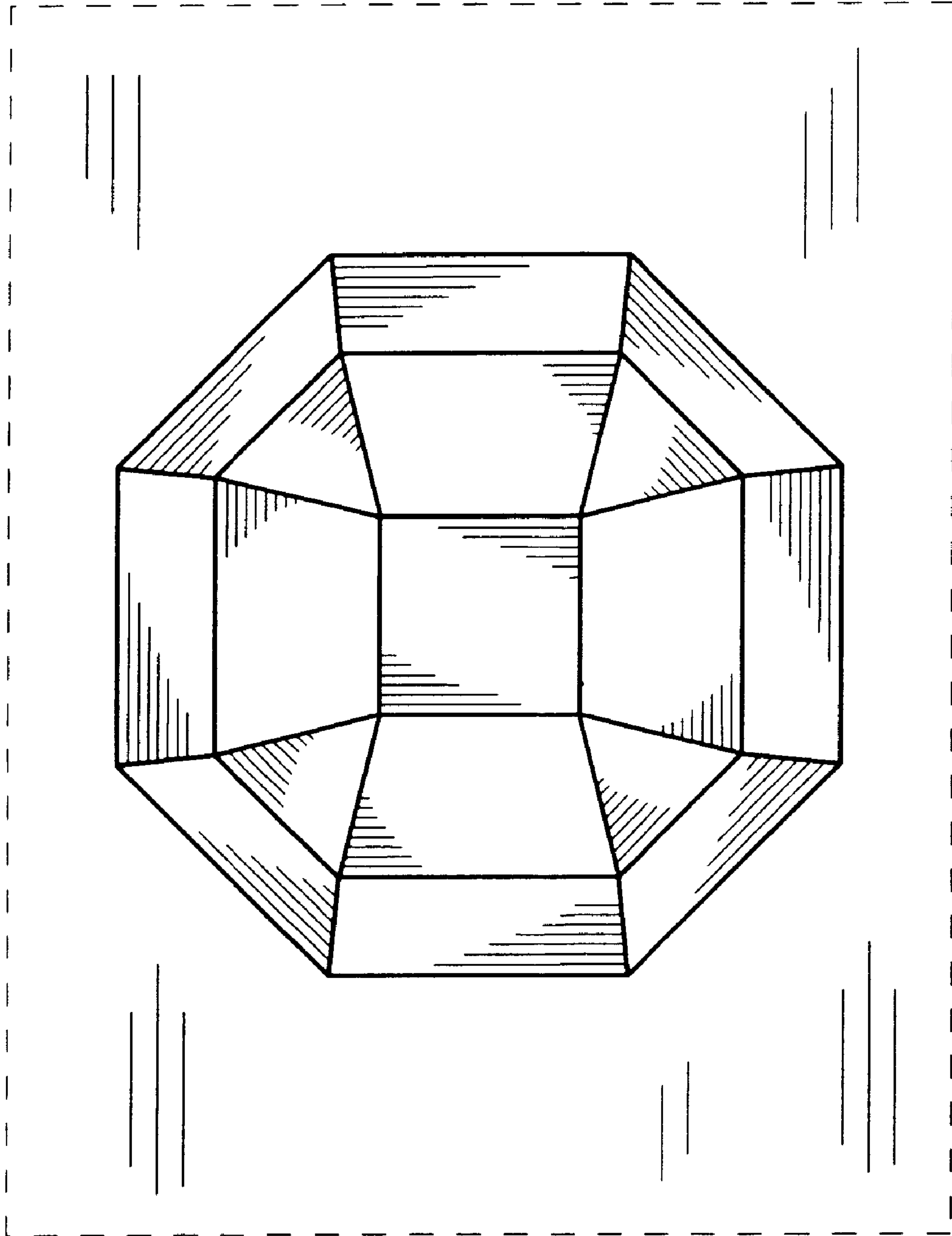


FIG. 5