



US00D475278S

(12) **United States Design Patent**
Williams

(10) **Patent No.:** **US D475,278 S**

(45) **Date of Patent:** **** Jun. 3, 2003**

(54) **SOCK HOOK**

(75) Inventor: **Arnold H. Williams**, Boxborough, MA (US)

(73) Assignee: **Christmas Cove Designs, Inc.**, Richmond, ME (US)

(**) Term: **14 Years**

(21) Appl. No.: **29/161,139**

(22) Filed: **May 23, 2002**

(51) **LOC (7) Cl.** **08-05**

(52) **U.S. Cl.** **D8/367; D3/328**

(58) **Field of Search** D8/373, 367, 368; 211/113, 86.01, 106.01, 13.1; D11/42, 126, 130; 248/214, 215, 302-308, 309.1, 339, 341, 914, 497; D3/328, 304; D6/315, 317

(56) **References Cited**

U.S. PATENT DOCUMENTS

2,473,086	A	*	6/1949	Montero	248/308
2,521,037	A	*	9/1950	Brinton	211/85.3
D244,883	S	*	6/1977	Rohrmuller	D3/328
D295,267	S	*	4/1988	Saraga	D11/42
5,816,558	A	*	10/1998	Sommer et al.	248/544
D401,840	S	*	12/1998	Goodman et al.	D8/367

* cited by examiner

Primary Examiner—Pamela Burgess

(74) *Attorney, Agent, or Firm*—Pandiscio & Pandiscio

(57) **CLAIM**

The ornamental design for a sock hook, as shown and described.

DESCRIPTION

FIG. 1 is a perspective view of a sock hook showing my new design, the broken lines shown are for illustrative purposes only and form no part of the claimed design;

FIG. 2 is an enlarged perspective view of the sock hook shown in FIG. 1;

FIG. 3 is a right side elevational view of the sock hook shown in FIG. 1;

FIG. 4 is a left side elevational view of the sock hook shown in FIG. 1;

FIG. 5 is a top plan view of the sock hook shown in FIG. 1;

FIG. 6 is a bottom plan view of the sock hook shown in FIG. 1;

FIG. 7 is a front elevational view of the sock hook shown in FIG. 1;

FIG. 8 is a rear elevational view of the sock hook shown in FIG. 1;

FIG. 9 is a perspective view of a second embodiment of the sock hook showing my new design, the broken lines shown are for illustrative purposes only and form no part of the claimed design;

FIG. 10 is an enlarged perspective view of the sock hook shown in FIG. 9;

FIG. 11 is a right side elevational view of the sock hook shown in FIG. 9;

FIG. 12 is a left side elevational view of the sock hook shown in FIG. 9;

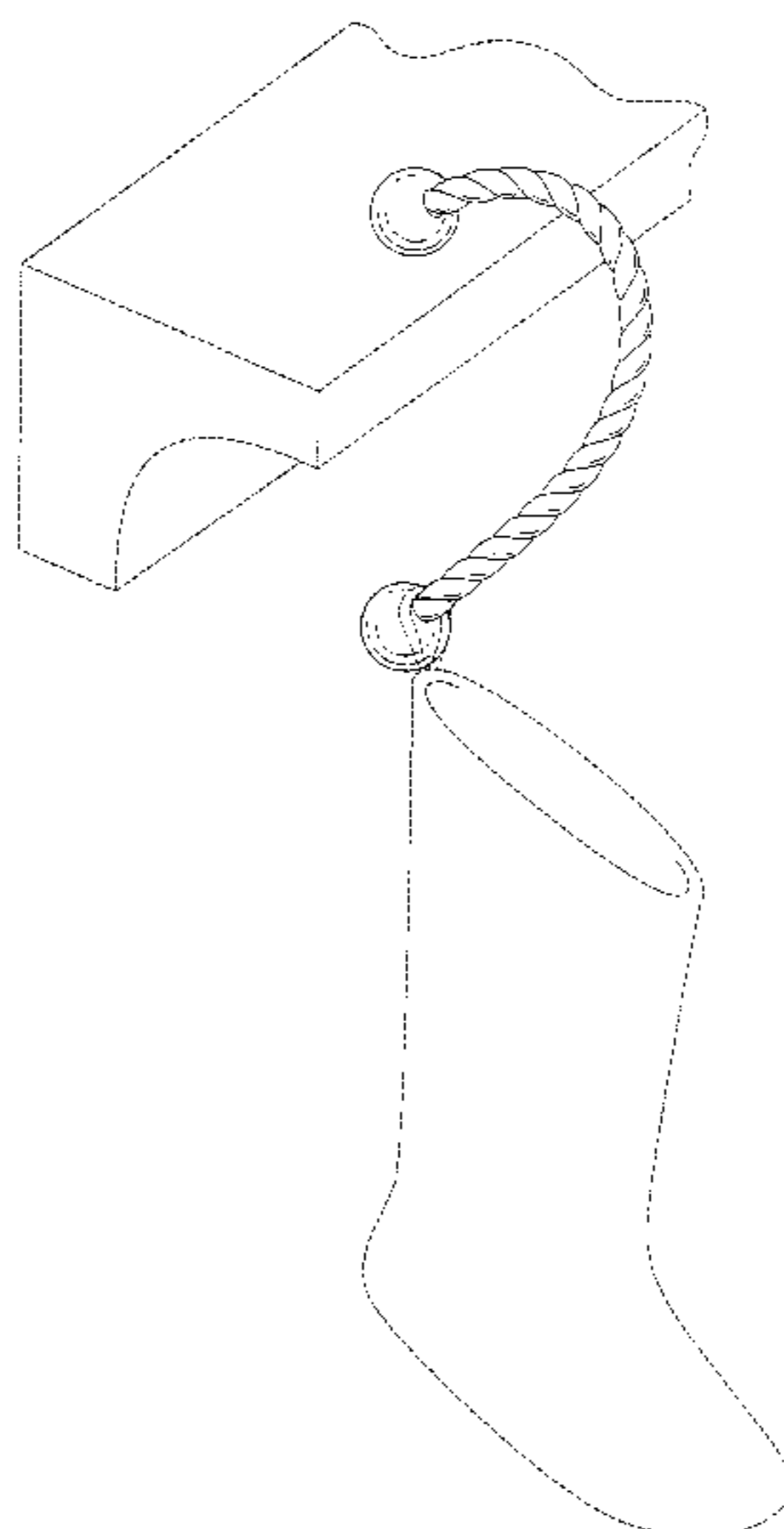
FIG. 13 is a top plan view of the sock hook shown in FIG. 9;

FIG. 14 is a bottom plan view of the sock hook shown in FIG. 9;

FIG. 15 is a front elevational view of the sock hook shown in FIG. 9; and,

FIG. 16 is a rear elevational view of the sock hook shown in FIG. 9.

1 Claim, 8 Drawing Sheets



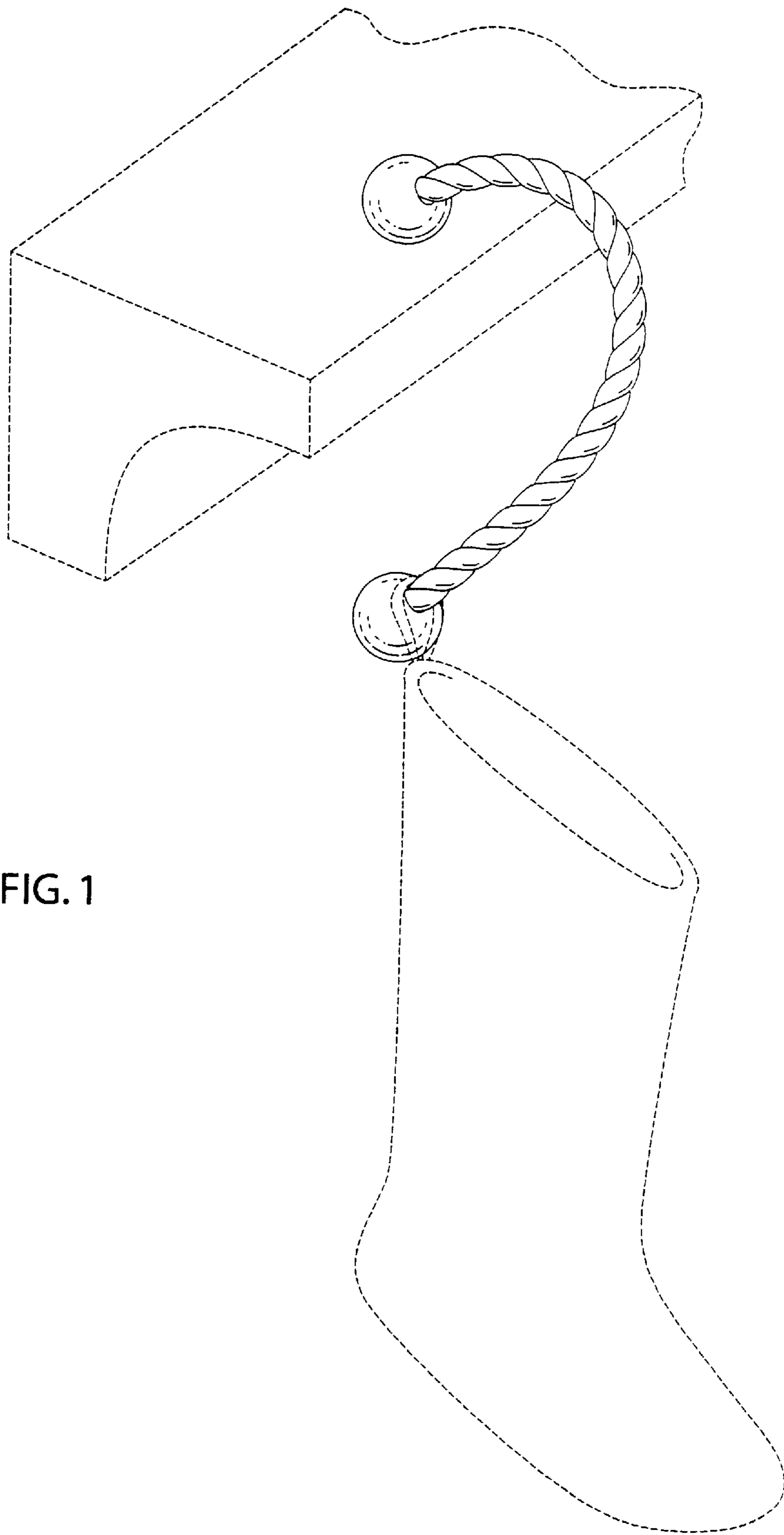


FIG. 1

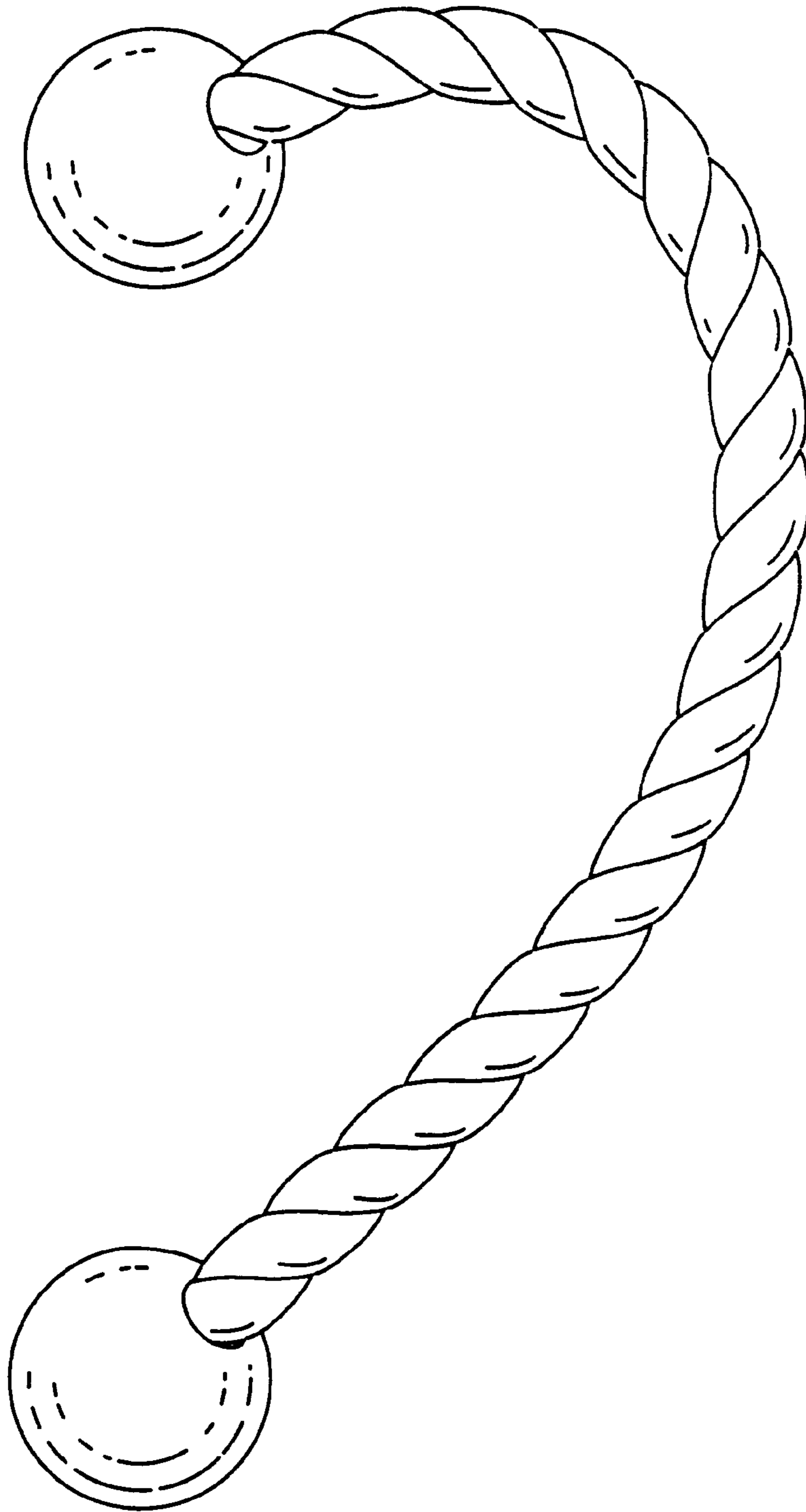


FIG. 2

FIG. 3

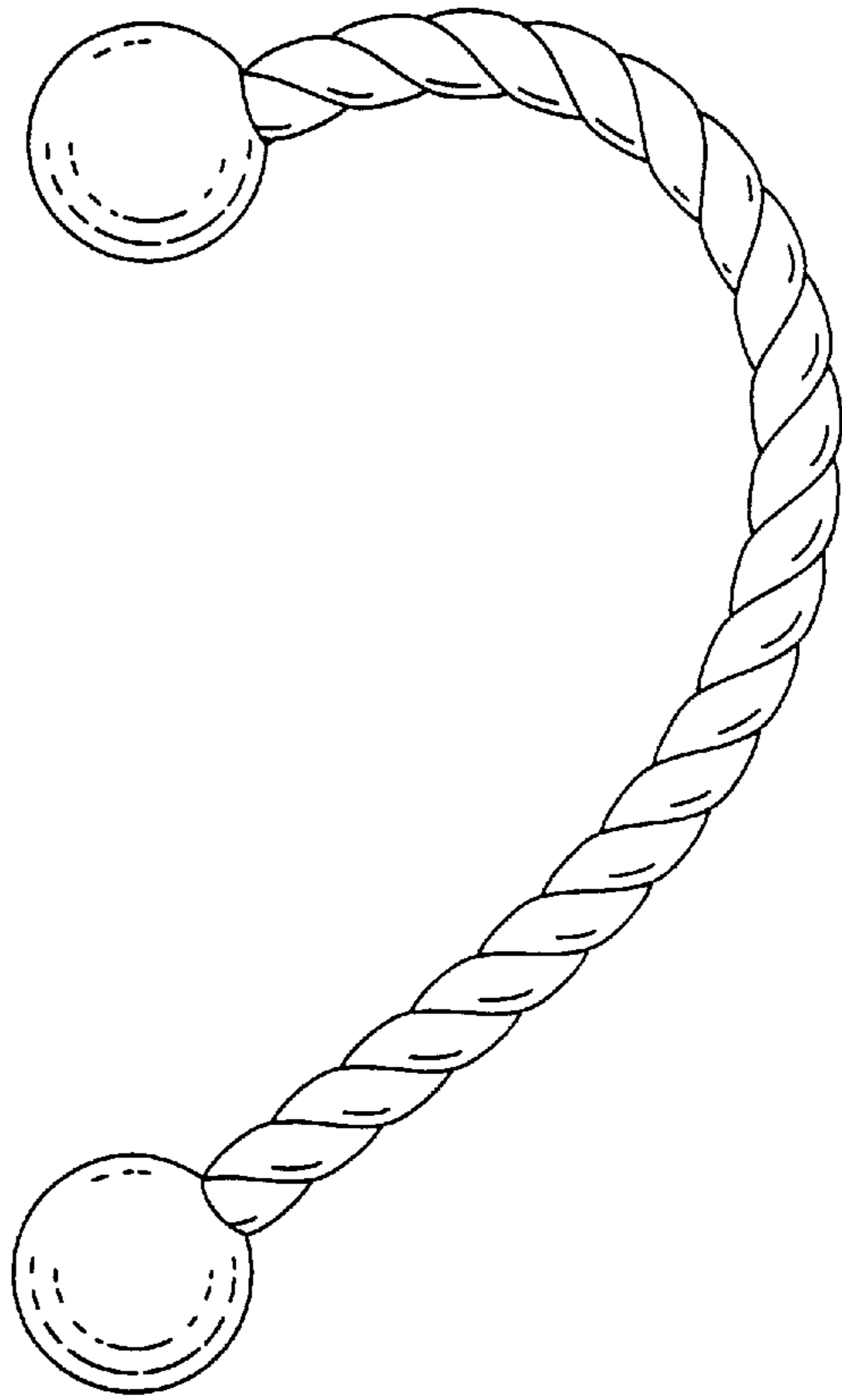
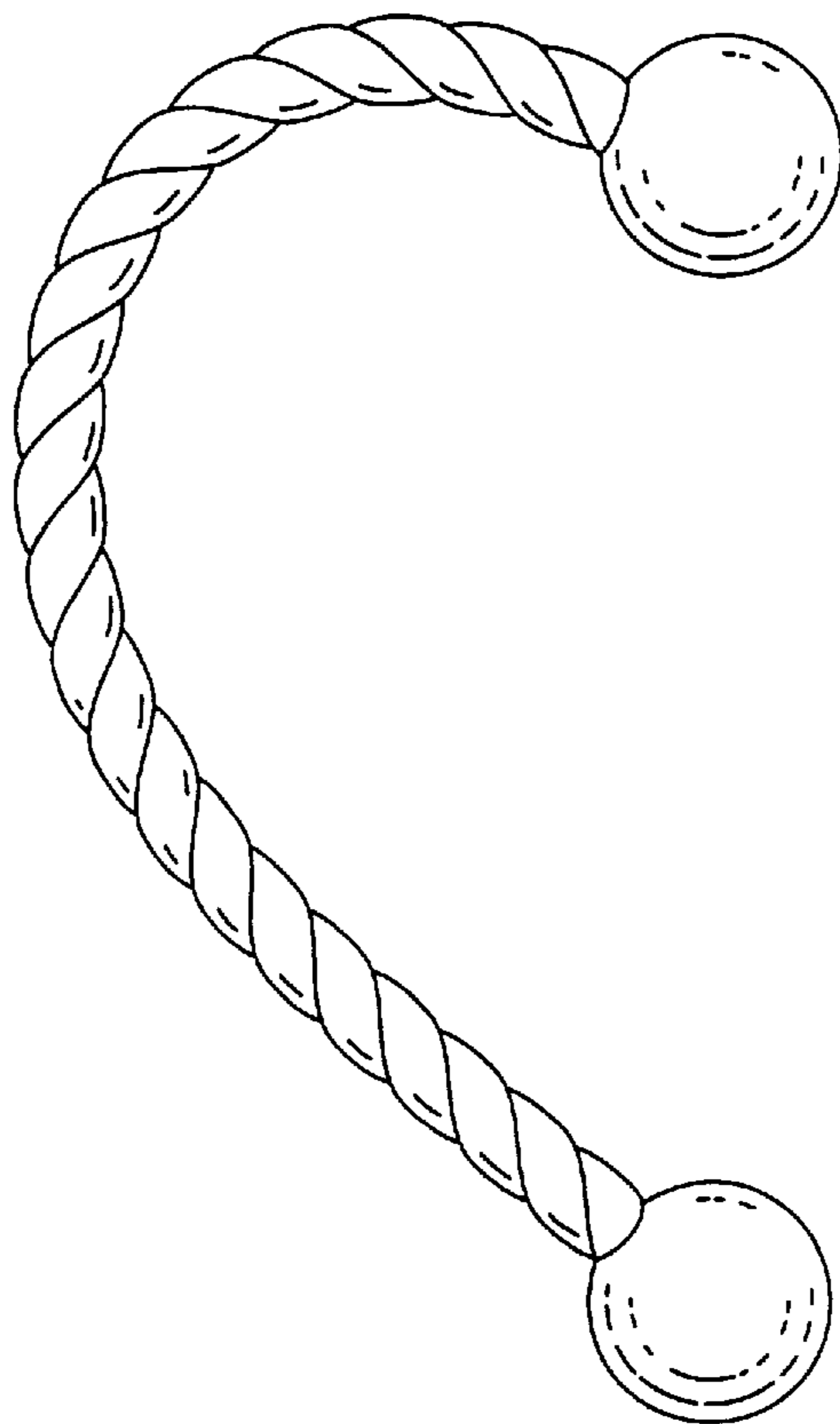


FIG. 4



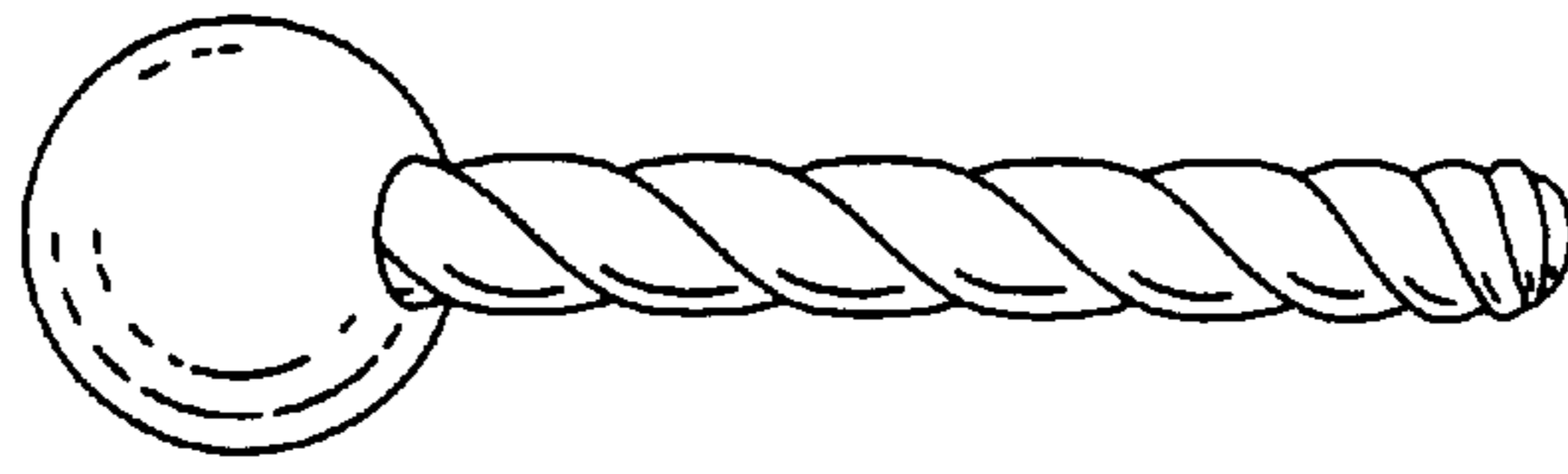


FIG. 5

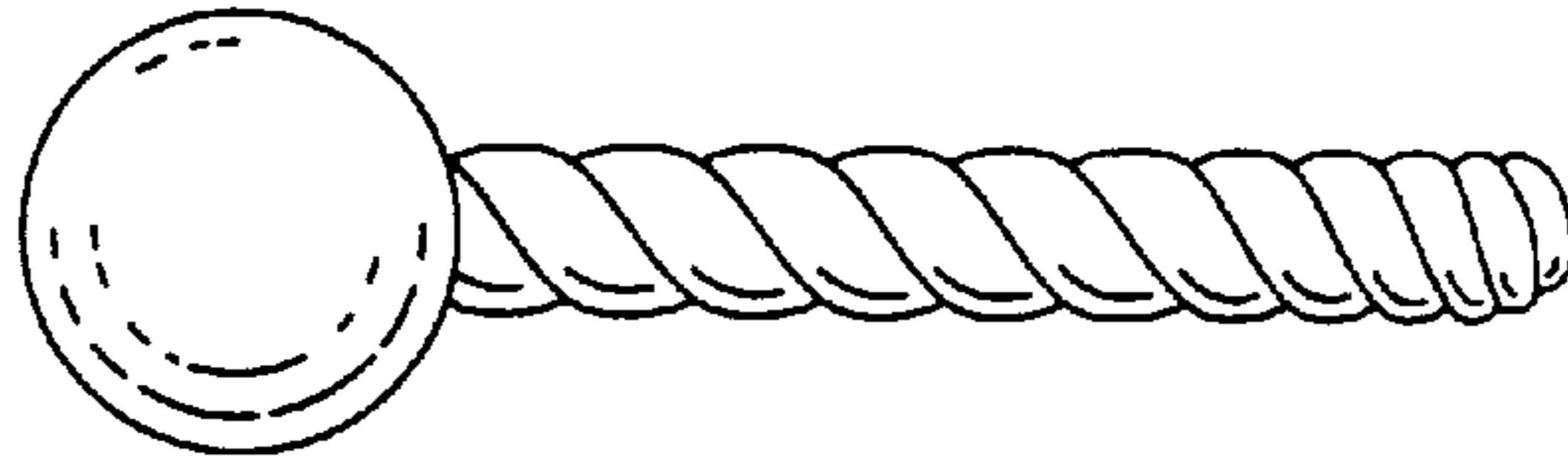


FIG. 6

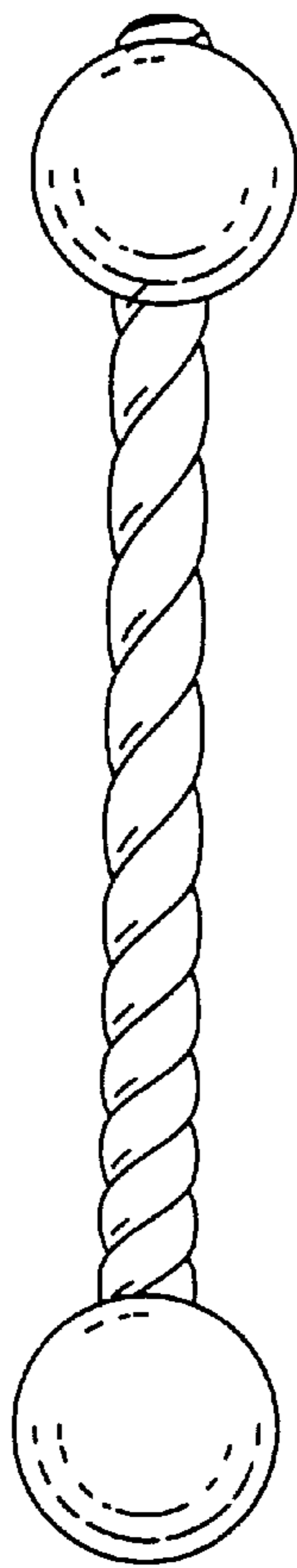


FIG. 7

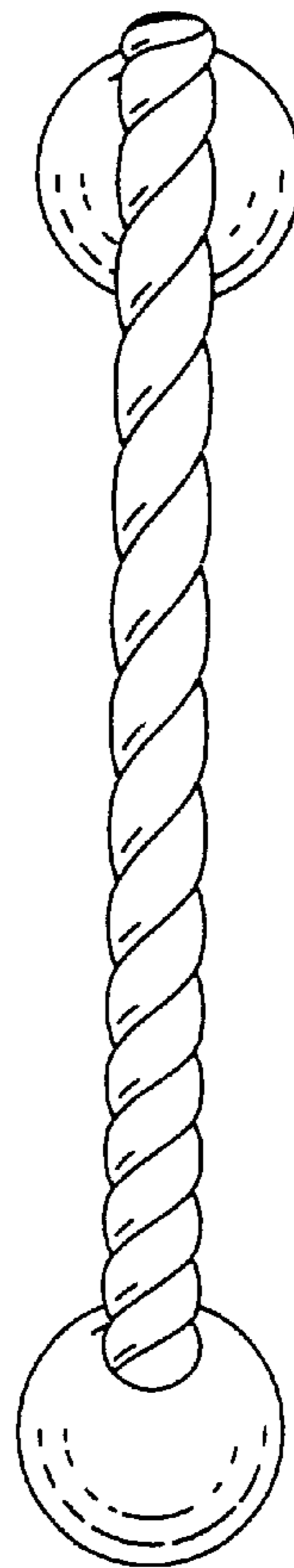


FIG. 8

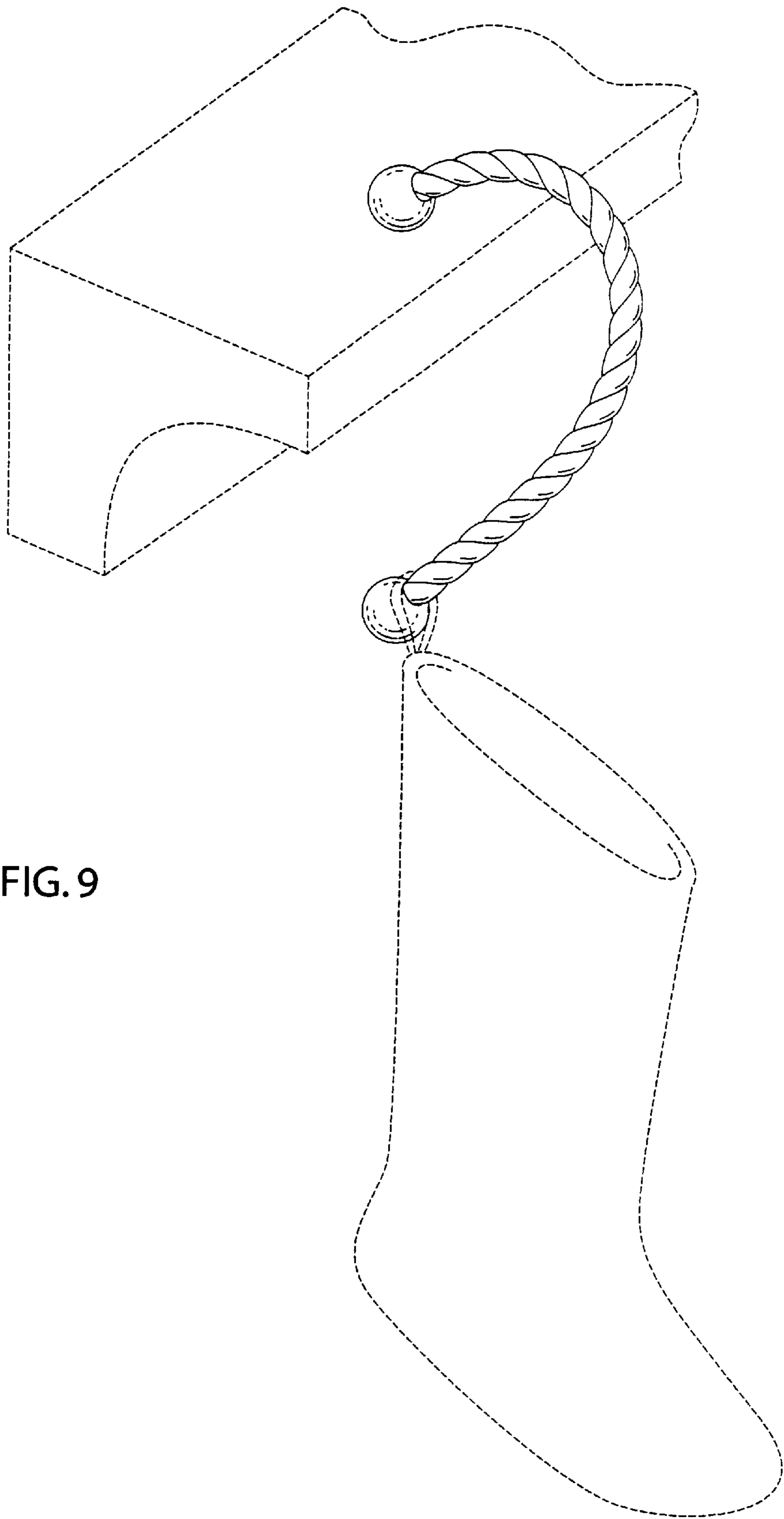


FIG. 9

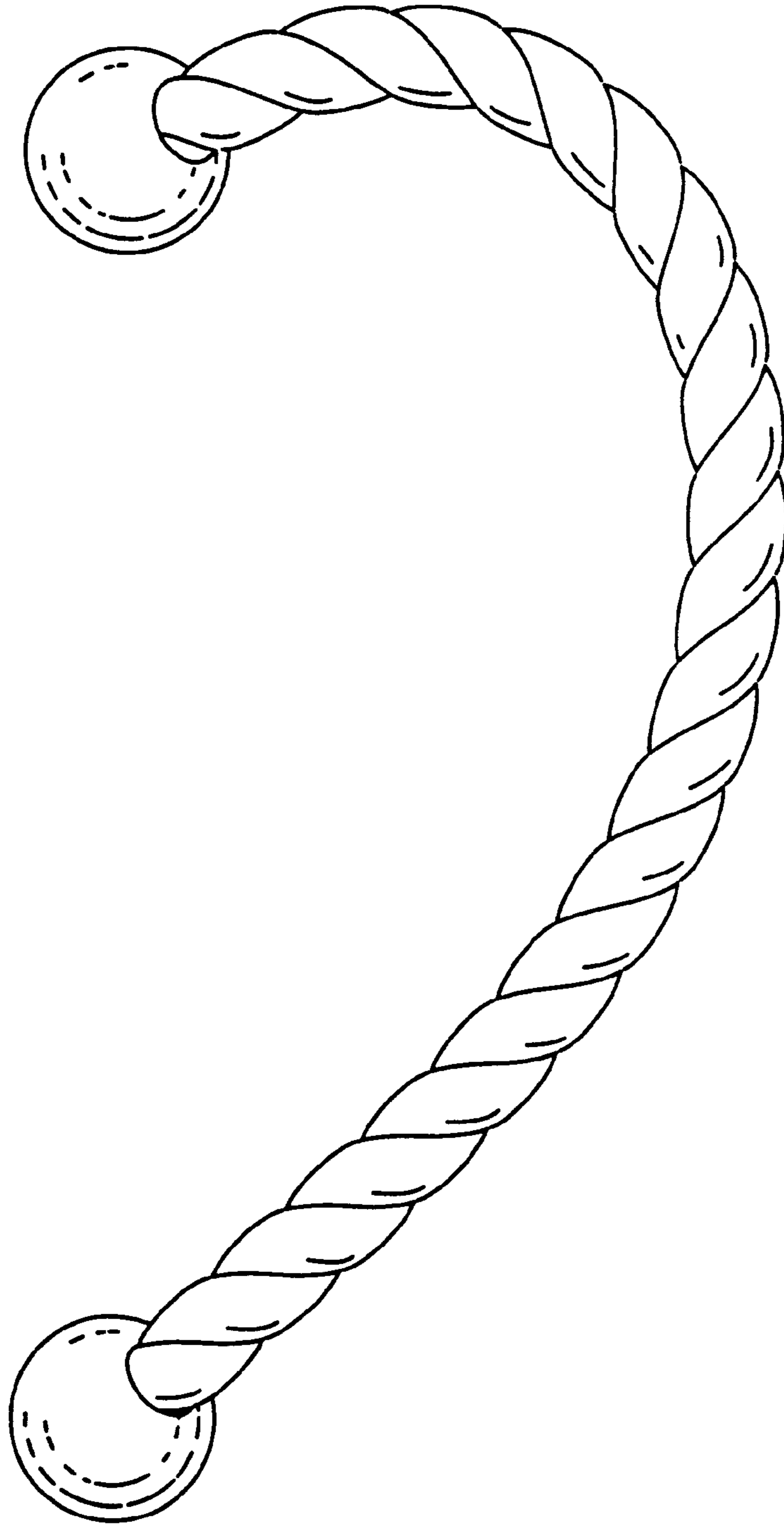


FIG. 10

FIG. 11

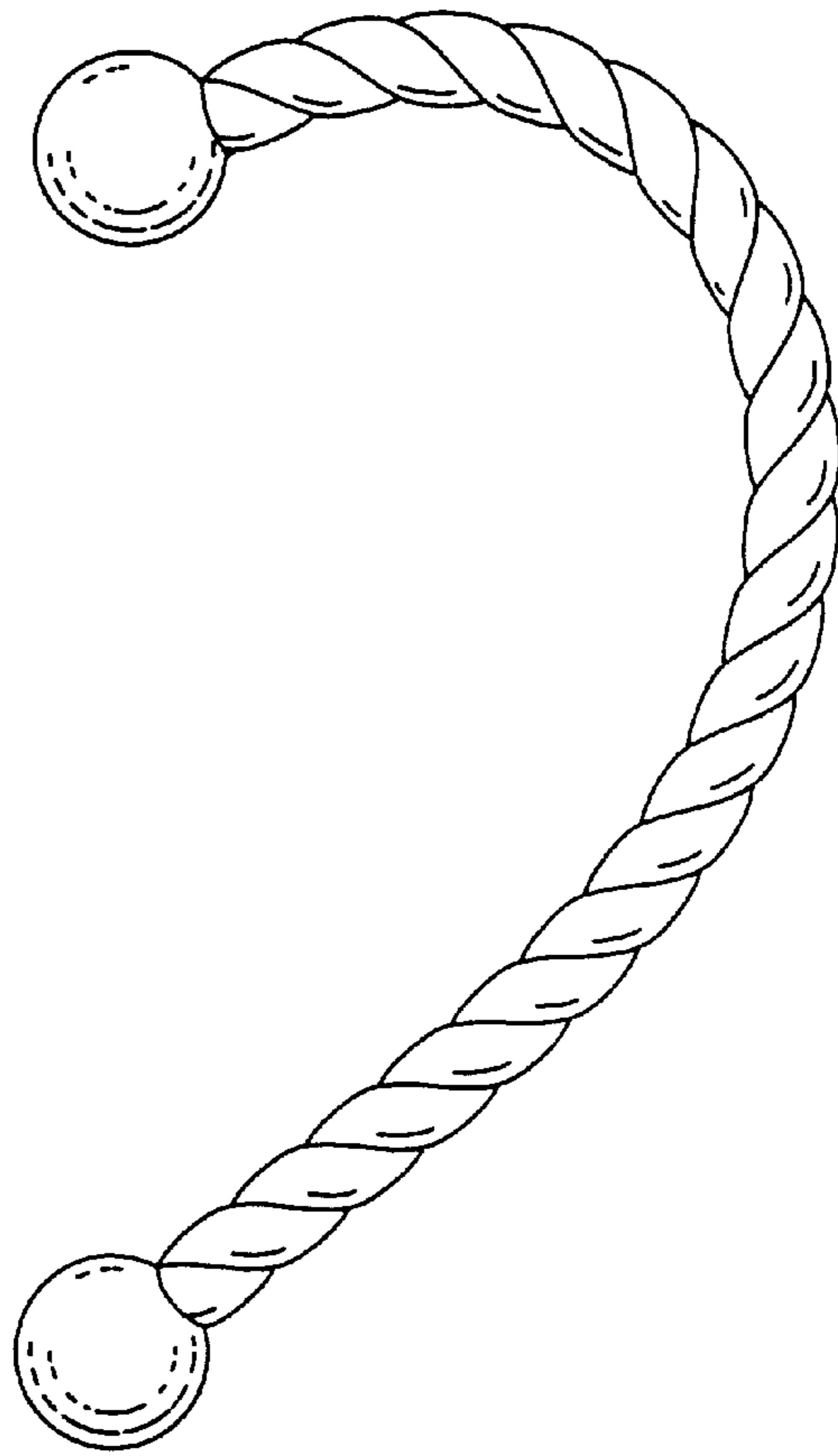


FIG. 12

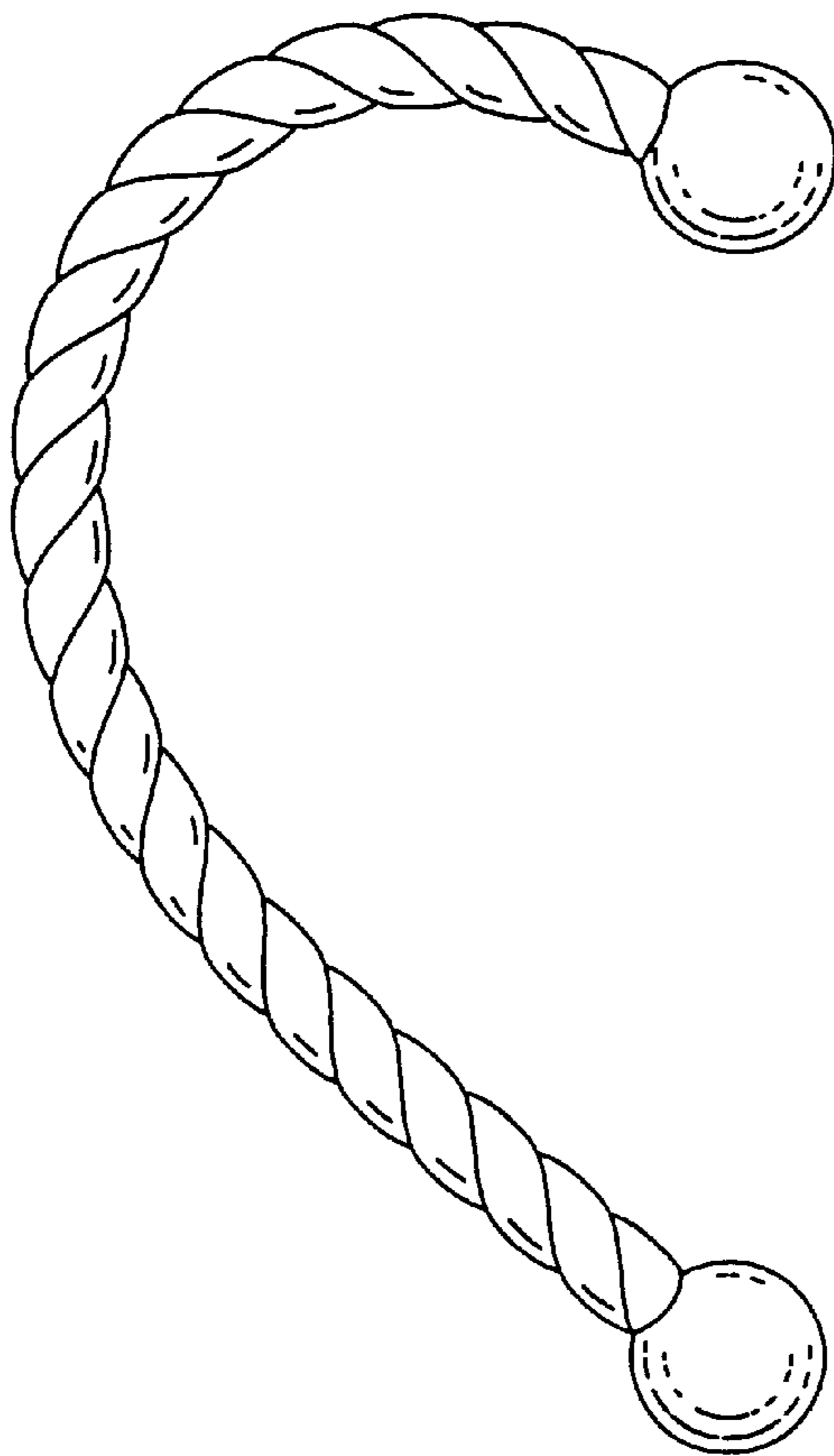




FIG. 13



FIG. 14

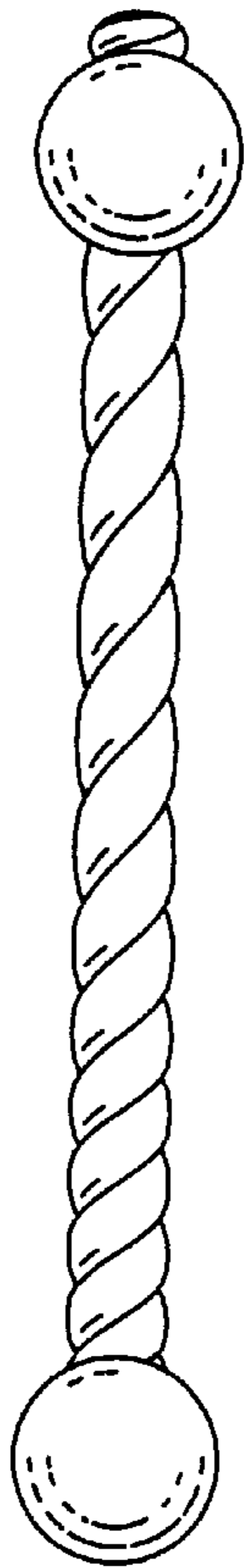


FIG. 15

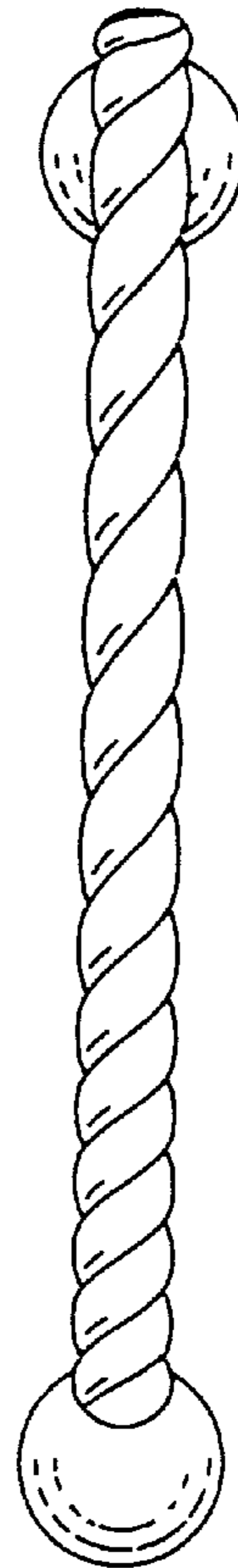


FIG. 16