



US00D475275S

(12) **United States Design Patent**  
**Kelleghan**

(10) **Patent No.:** **US D475,275 S**

(45) **Date of Patent:** **\*\* Jun. 3, 2003**

(54) **BOOT SHAPED CARABINER**

D449,975 S \* 11/2001 Smith et al. .... D8/356

(75) Inventor: **Brian James Kelleghan**, Longmont,  
CO (US)

\* cited by examiner

(73) Assignee: **Bison Designs, L.L.C.**, Longmont, CO  
(US)

*Primary Examiner*—Robert M. Spear

*Assistant Examiner*—Elizabeth A. Albert

(74) *Attorney, Agent, or Firm*—Rick Martin; Patent Law  
Offices of Rick Martin, P.C.

(\*\*) Term: **14 Years**

(21) Appl. No.: **29/165,080**

(22) Filed: **Aug. 5, 2002**

(51) **LOC (7) Cl.** ..... **08-05**

(52) **U.S. Cl.** ..... **D8/356**

(58) **Field of Search** ..... D1/104, 120, 126;  
D8/333, 356, 367, 370, 383; D11/133, 157,  
200, 211; 24/583.1, 587.1, 588.1, 588.11,  
594.11, 598.1, 598.2, 598.3, 598.4, 599.1,  
599.2, 599.5, 599.6, 599.7, 599.8, 599.9,  
600.1, 600.3, 600.9, 601.5; 248/231.9, 231.91,  
925; 294/82.17, 82.19, 82.2; 428/7, 13,  
28

(56) **References Cited**

**U.S. PATENT DOCUMENTS**

D354,719 S \* 1/1995 Sheridan ..... D11/126

(57) **CLAIM**

The ornamental design for a boot shaped carabiner, as  
shown.

**DESCRIPTION**

FIG. 1 is a top plan view of my new design for a boot shaped  
carabiner.

FIG. 2 is a bottom plan view of FIG. 1.

FIG. 3 is a back side elevation view of FIG. 1.

FIG. 4 is a front side elevation view of FIG. 1.

FIG. 5 is a right side elevation view of FIG. 1.

FIG. 6 is a left side elevation view of FIG. 1; and,

FIG. 7 is a top perspective view of FIG. 1.

**1 Claim, 1 Drawing Sheet**

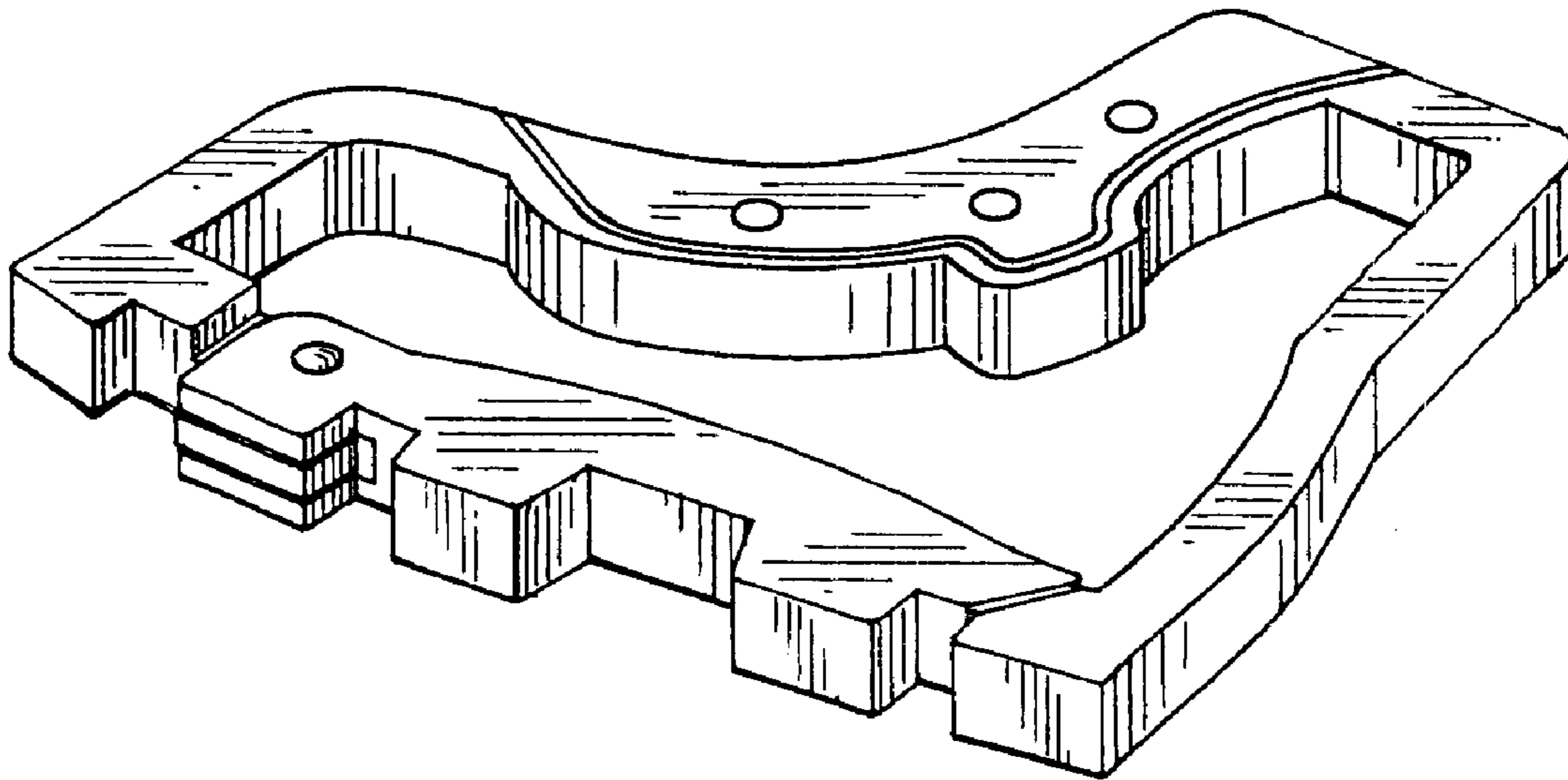




FIG. 5

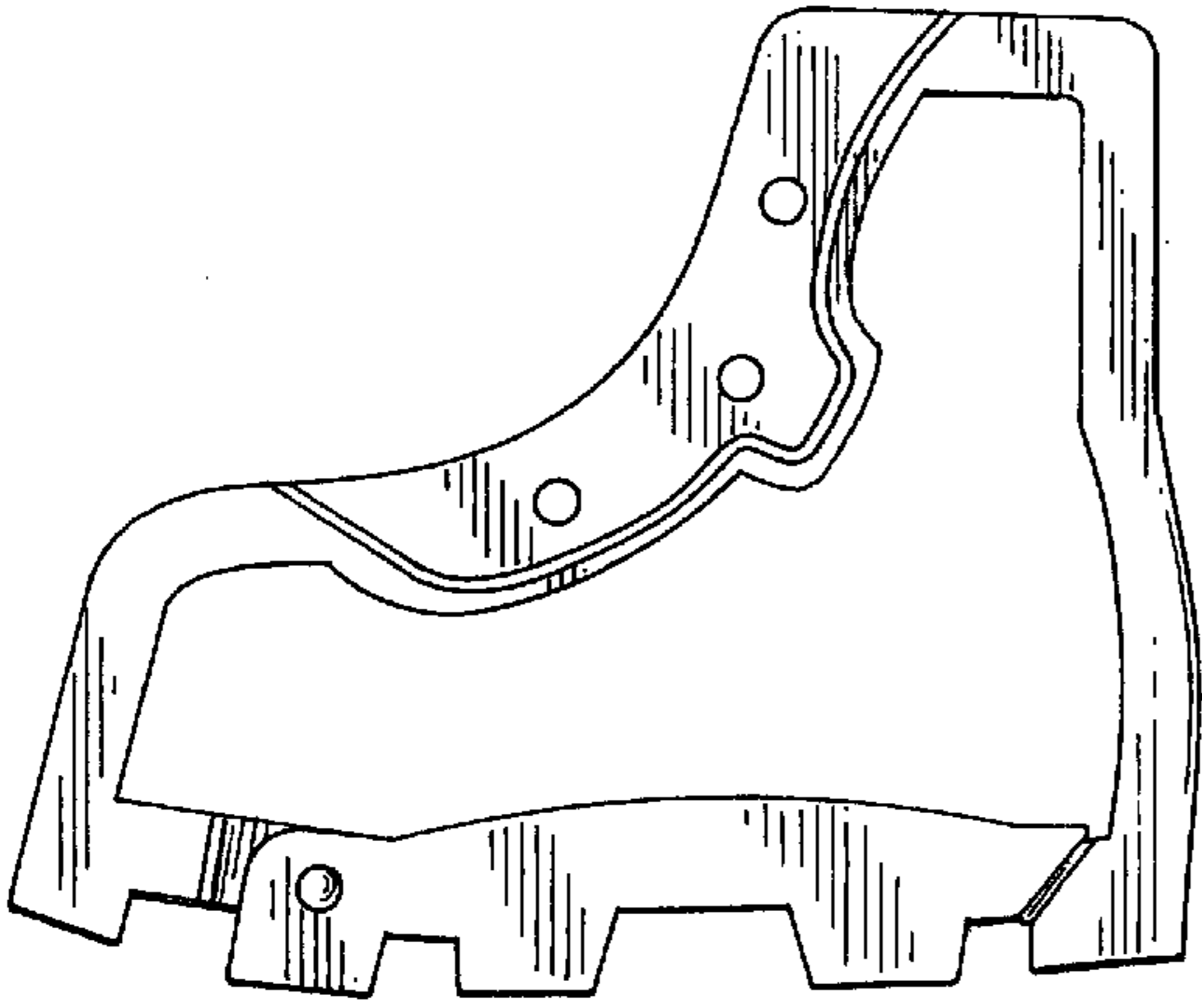


FIG. 1

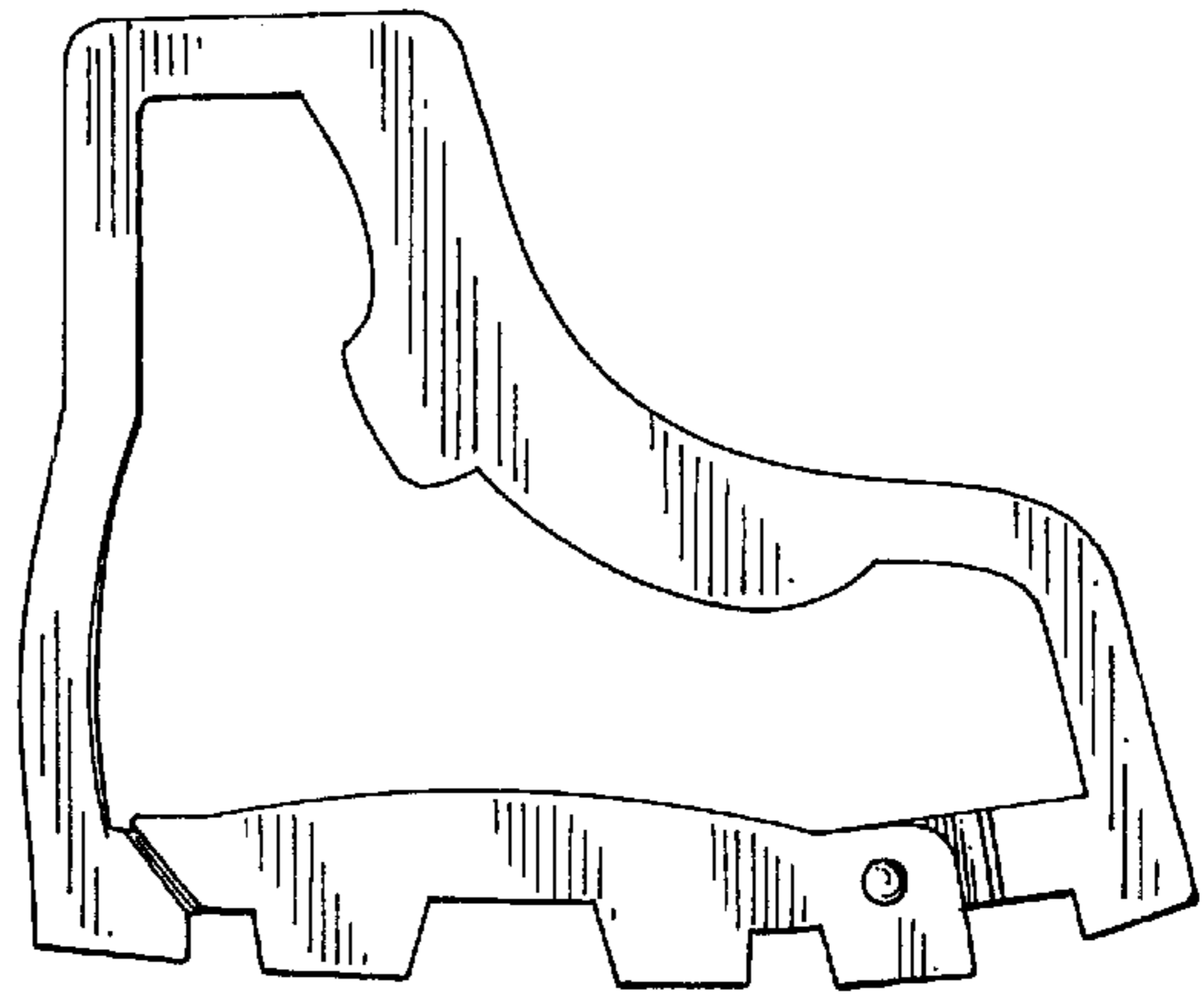


FIG. 2



FIG. 6

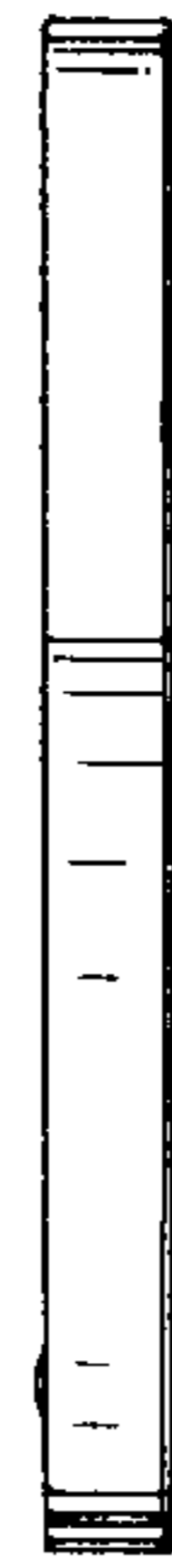


FIG. 3

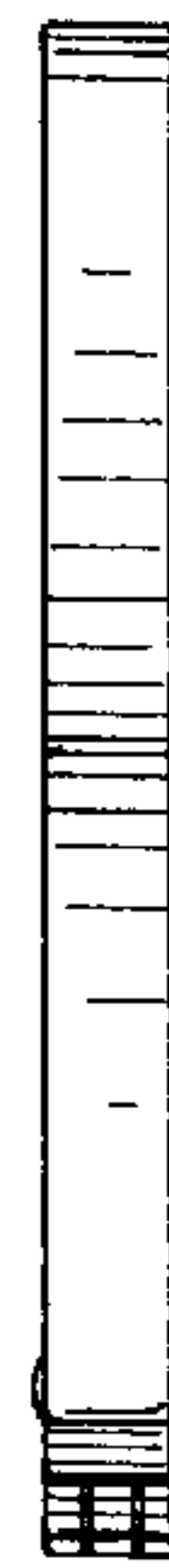


FIG. 4

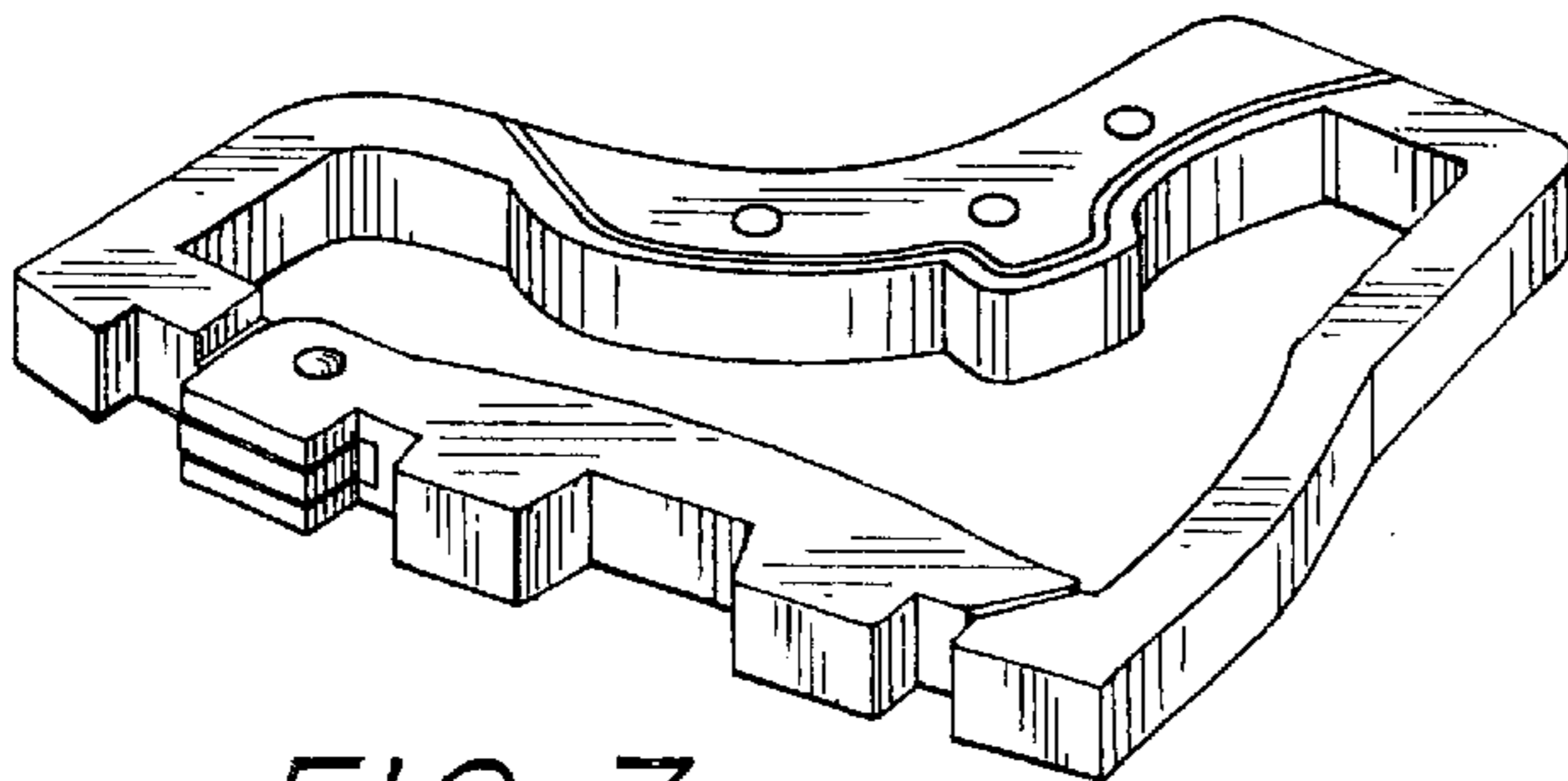


FIG. 7