



US00D475273S

(12) **United States Design Patent**  
**Vito**

(10) **Patent No.:** **US D475,273 S**

(45) **Date of Patent:** **\*\* Jun. 3, 2003**

(54) **ANTI-THEFT DEVICE**

(76) **Inventor:** **Robert A. Vito**, 1434 Sugartown Rd.,  
Berwyn, PA (US) 19312

(\*\*) **Term:** **14 Years**

(21) **Appl. No.:** **29/155,353**

(22) **Filed:** **Feb. 8, 2002**

**Related U.S. Application Data**

(60) Division of application No. 29/152,328, filed on Dec. 14, 2001, and a division of application No. 29/155,059, filed on Feb. 1, 2002, now Pat. No. Des. 458,529, and a continuation-in-part of application No. 10/007,090, filed on Dec. 7, 2001.

(51) **LOC (7) Cl. .... 08-07**

(52) **U.S. Cl. .... D8/331; D8/343**

(58) **Field of Search .... D8/330, 331, 339,  
D8/343; 70/209, 225, 226, 227, 252**

(56) **References Cited**

**U.S. PATENT DOCUMENTS**

|             |         |                  |
|-------------|---------|------------------|
| 1,364,068 A | 1/1921  | Brader           |
| 2,716,336 A | 8/1955  | Ross             |
| 3,190,090 A | 6/1965  | Zaidener         |
| 3,690,131 A | 9/1972  | Davis            |
| 3,898,823 A | 8/1975  | Ludeman          |
| 4,696,172 A | 9/1987  | Farrow           |
| 4,699,238 A | 10/1987 | Tamir            |
| 4,779,435 A | 10/1988 | Farrow           |
| 5,113,674 A | 5/1992  | LiCausi          |
| 5,119,651 A | 6/1992  | Yang             |
| D330,844 S  | 11/1992 | Chang            |
| 5,259,222 A | 11/1993 | Jang             |
| 5,267,458 A | 12/1993 | Heh              |
| 5,275,030 A | 1/1994  | Cole             |
| 5,299,438 A | 4/1994  | Chen             |
| 5,329,793 A | 7/1994  | Chen             |
| 5,488,844 A | 2/1996  | Winner           |
| D369,738 S  | 5/1996  | Hull, Jr. et al. |
| 5,513,506 A | 5/1996  | Ricalde          |
| D372,418 S  | 8/1996  | Winner           |
| 5,566,560 A | 10/1996 | LiCausi          |
| 5,598,142 A | 1/1997  | Winner, Jr.      |

|             |         |               |
|-------------|---------|---------------|
| 5,600,979 A | 2/1997  | Winner et al. |
| 5,604,384 A | 2/1997  | Carlo et al.  |
| 5,613,383 A | 3/1997  | Banez         |
| 5,635,899 A | 6/1997  | Carlo et al.  |
| 5,653,133 A | 8/1997  | Passantino    |
| D383,372 S  | 9/1997  | Winner        |
| 5,671,620 A | 9/1997  | Carvey et al. |
| 5,673,575 A | 10/1997 | Carlo et al.  |
| 5,677,668 A | 10/1997 | Winner, Jr.   |
| 5,704,233 A | 1/1998  | Farshad       |
| 5,709,113 A | 1/1998  | Godfrey       |
| D391,142 S  | 2/1998  | Winner        |
| 5,730,008 A | 3/1998  | Case et al.   |
| 5,735,149 A | 4/1998  | Winner, Jr.   |
| 5,755,123 A | 5/1998  | Winner, Jr.   |
| 5,765,415 A | 6/1998  | Savinsky      |
| 5,778,709 A | 7/1998  | Hsu           |

(List continued on next page.)

*Primary Examiner*—Brian N. Vinson

(74) *Attorney, Agent, or Firm*—Volpe and Koenig, P.C.

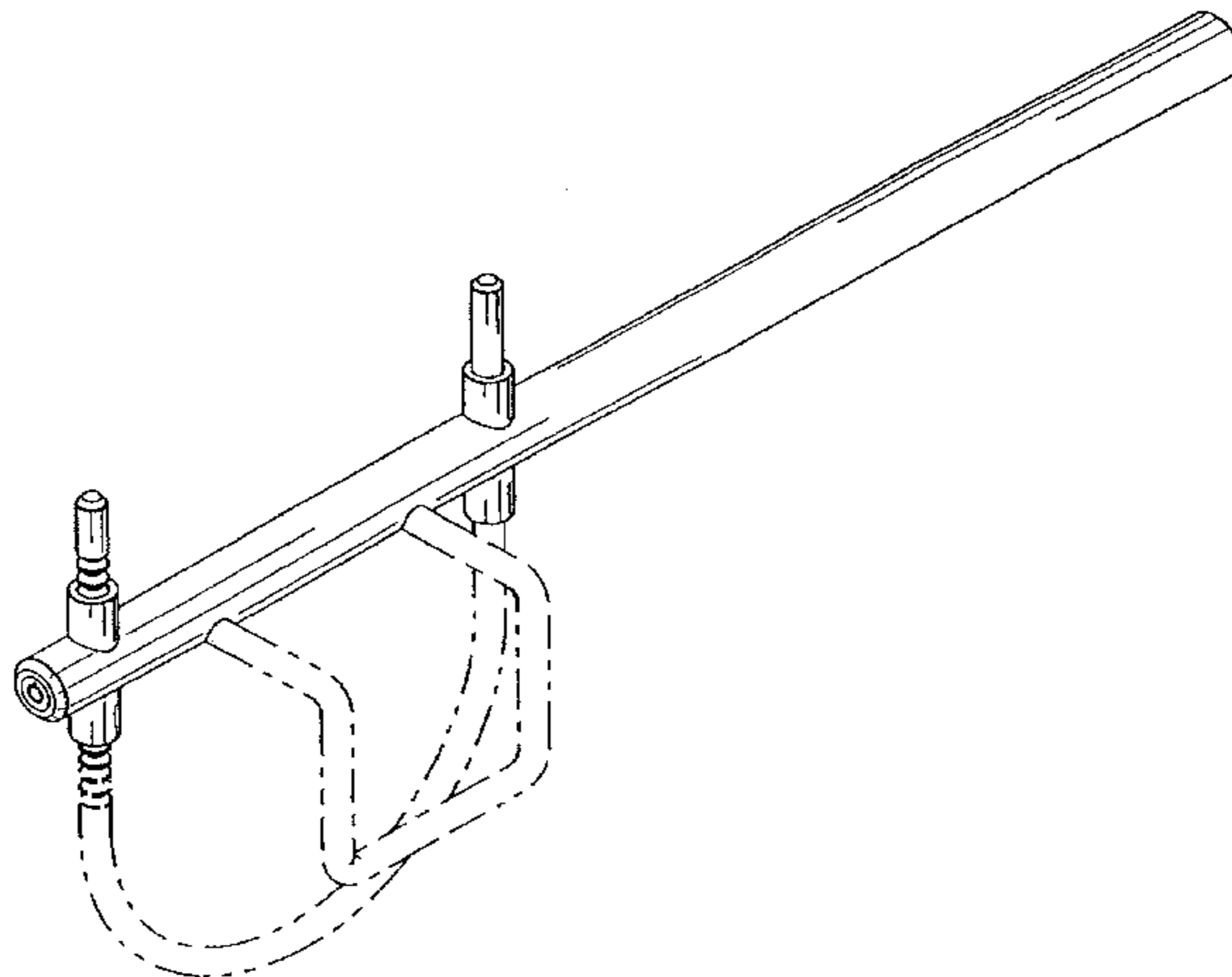
(57) **CLAIM**

The ornamental design for an anti-theft device, as shown and described.

**DESCRIPTION**

FIG. 1 is a top, front, and left side perspective view of an anti-theft device showing my new design;  
 FIG. 2 is a left side elevational view thereof;  
 FIG. 3 is a right side elevational view thereof;  
 FIG. 4 is an enlarged top plan view thereof;  
 FIG. 5 is an enlarged front elevational view thereof;  
 FIG. 6 is an enlarged bottom plan view thereof;  
 FIG. 7 is an enlarged rear elevational view thereof;  
 FIG. 8 is a top, front, and right side perspective view thereof;  
 FIG. 9 is a top, front, and left side perspective view thereof, showing an alternate, unclaimed environment; and,  
 FIG. 10 is a top, front, and left side perspective view thereof, showing another alternate, unclaimed environment.  
 The fragmentary broken-line disclosure of portion of an automobile console in FIG. 8, and the broken-line disclosure of unclaimed portions of the device in the other views are for illustrative purposes only and form no part of the claimed design.

**1 Claim, 5 Drawing Sheets**



# US D475,273 S

Page 2

---

## U.S. PATENT DOCUMENTS

|             |         |             |              |         |                             |
|-------------|---------|-------------|--------------|---------|-----------------------------|
| D398,830 S  | 9/1998  | Winner      | 6,029,483 A  | 2/2000  | Daniels                     |
| 5,826,448 A | 10/1998 | Graham      | 6,089,055 A  | 7/2000  | Vito                        |
| 5,836,186 A | 11/1998 | Winner, Jr. | D429,456 S * | 8/2000  | Chen ..... D8/331           |
| 5,842,361 A | 12/1998 | Banez       | 6,116,065 A  | 9/2000  | Hale                        |
| 5,855,128 A | 1/1999  | Voiculescu  | D432,390 S * | 10/2000 | Geringer et al. .... D8/331 |
| 5,865,044 A | 2/1999  | Wu          | 6,131,426 A  | 10/2000 | Tarnofsky                   |
| 5,870,912 A | 2/1999  | Vito        | 6,192,724 B1 | 2/2001  | Vito                        |
| 5,881,587 A | 3/1999  | Vito        | 6,202,456 B1 | 3/2001  | Vickers                     |
| 5,887,464 A | 3/1999  | Perez       | 6,212,920 B1 | 4/2001  | Winner                      |
| 5,901,586 A | 5/1999  | Hale        | 6,223,568 B1 | 5/2001  | Wu                          |
| 5,906,121 A | 5/1999  | Mankarious  | 6,223,569 B1 | 5/2001  | Wu                          |
| 5,921,115 A | 7/1999  | Winner      | 6,230,527 B1 | 5/2001  | Wu                          |
| D412,826 S  | 8/1999  | Calpito     | 6,240,753 B1 | 6/2001  | Wu                          |
| 5,996,721 A | 12/1999 | Winner      |              |         |                             |

\* cited by examiner

FIG. 1

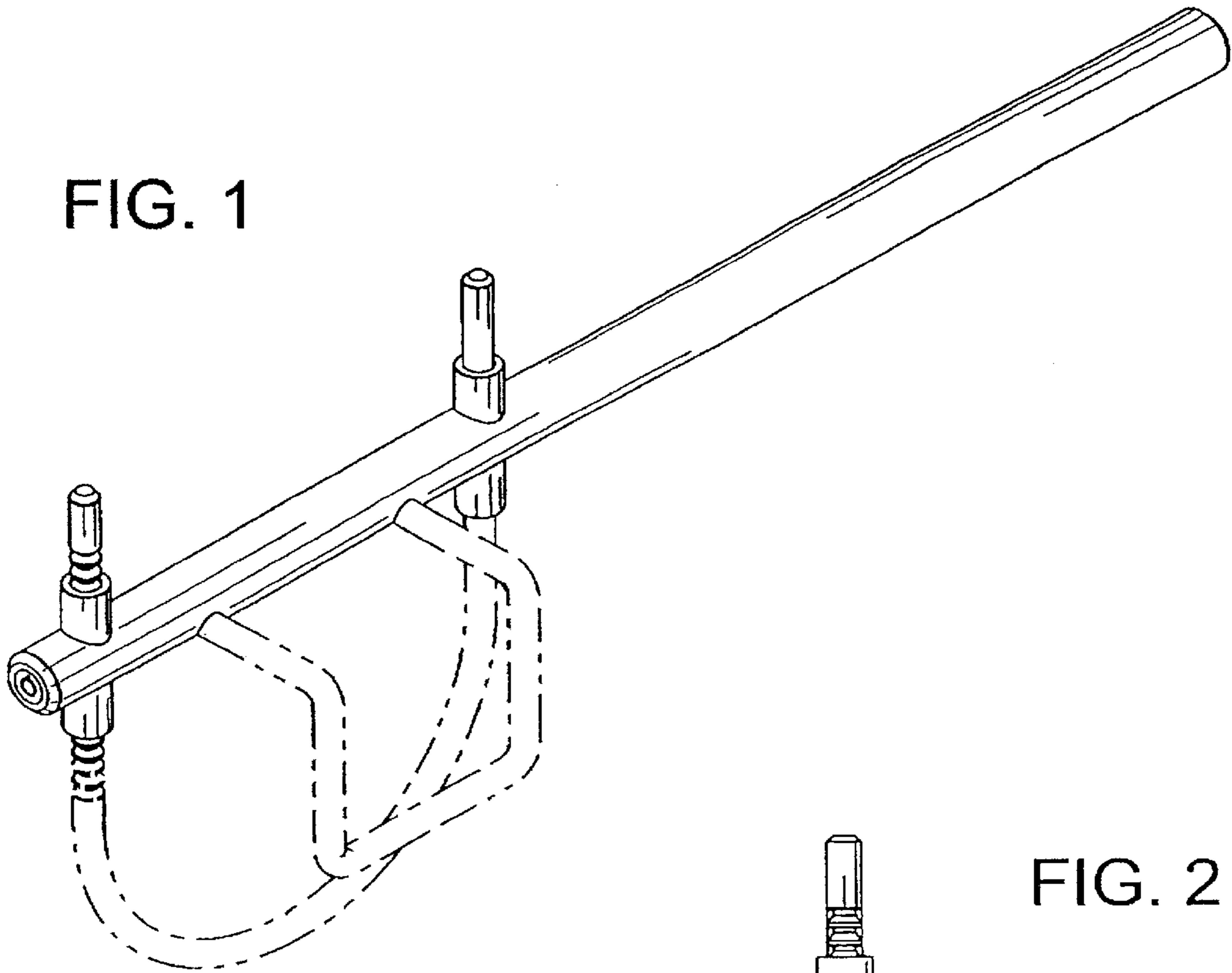


FIG. 2

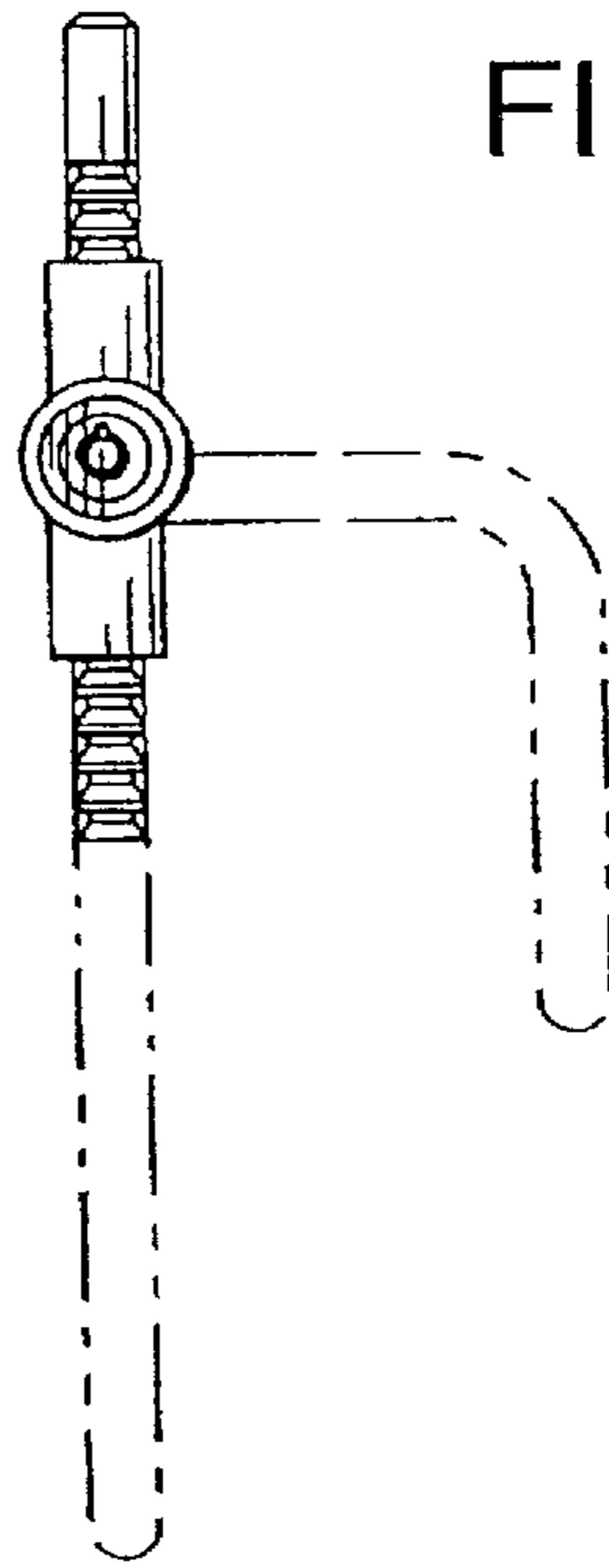
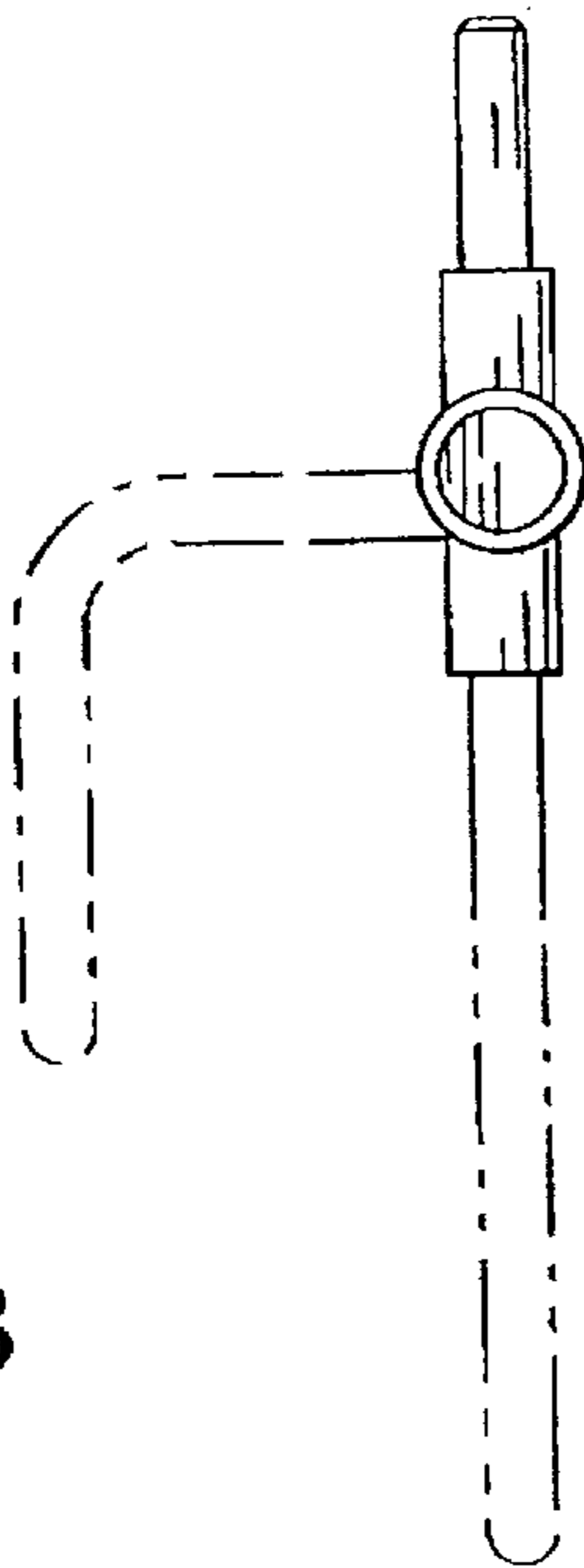
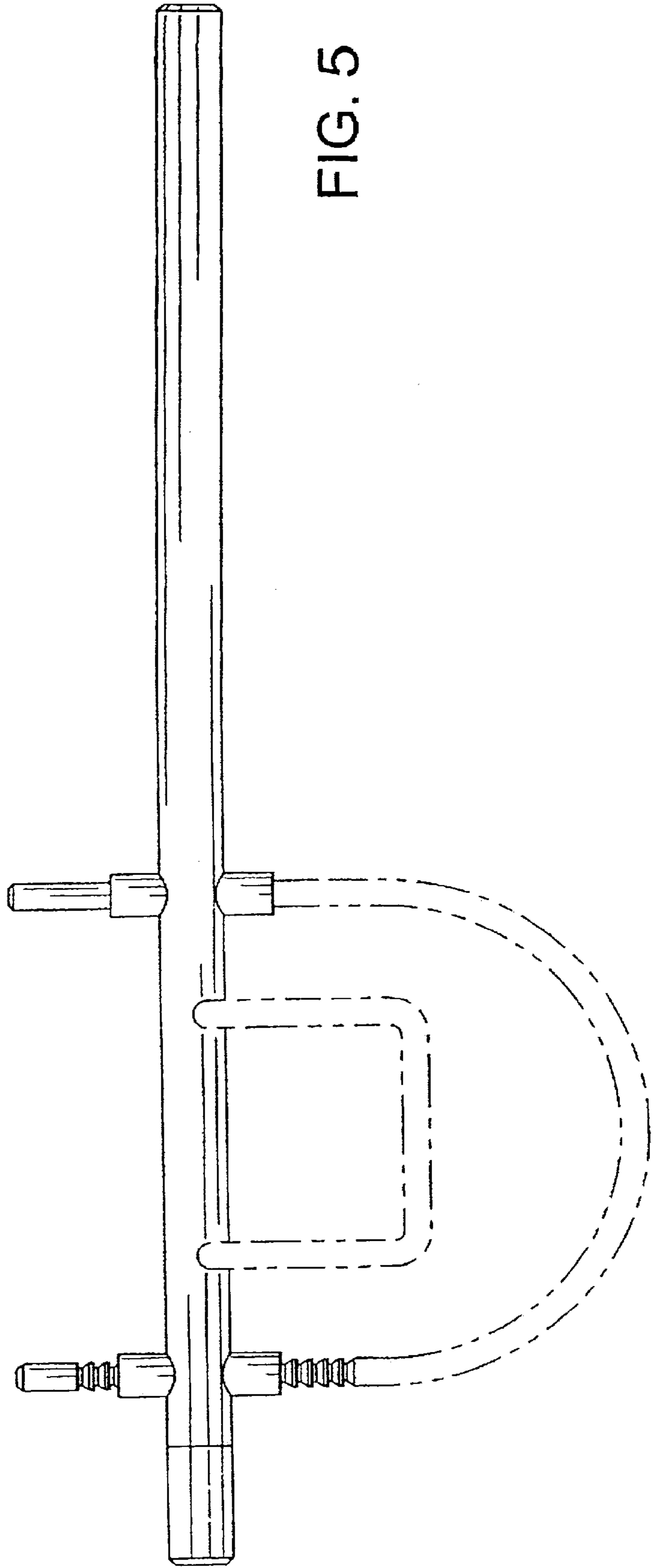
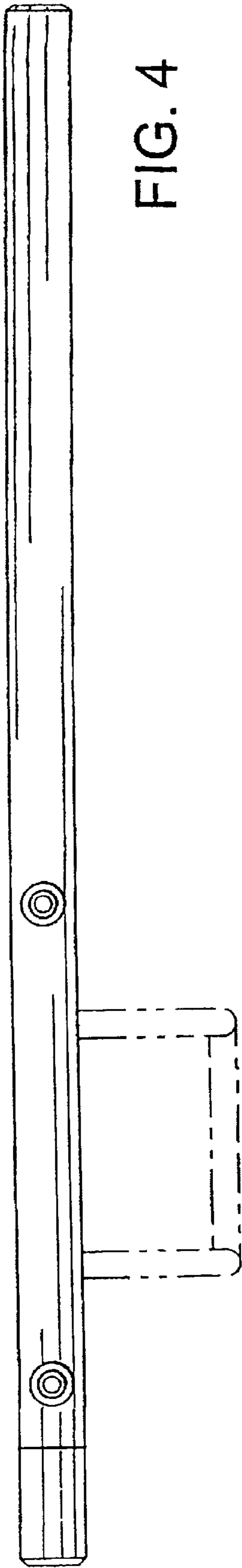


FIG. 3





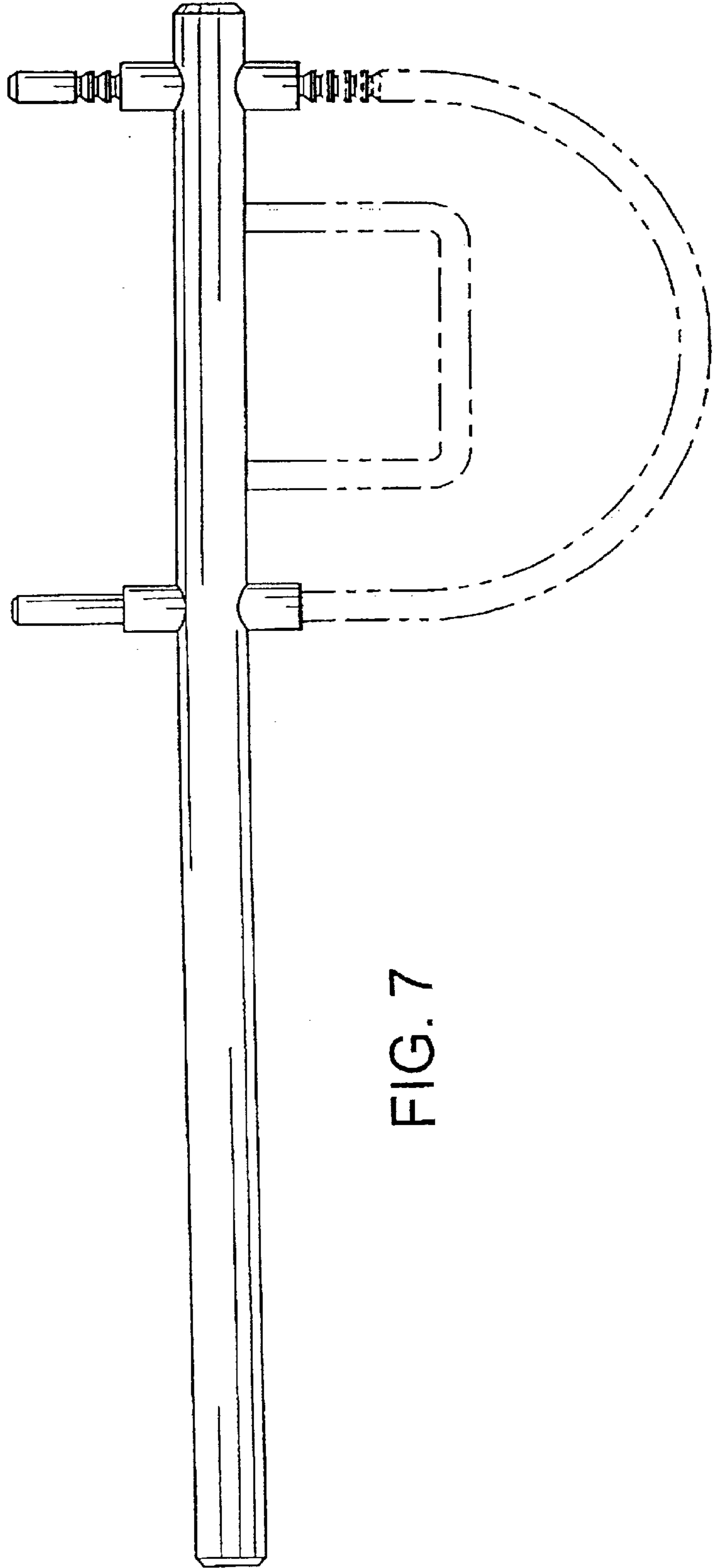
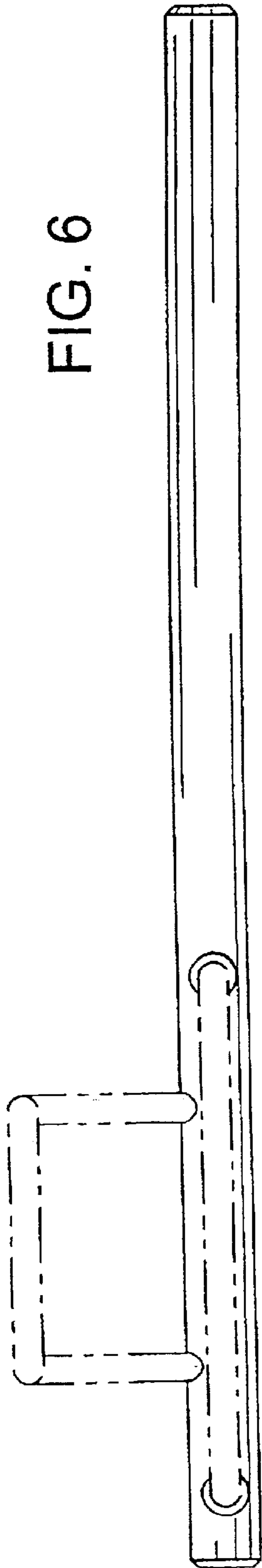


FIG. 8

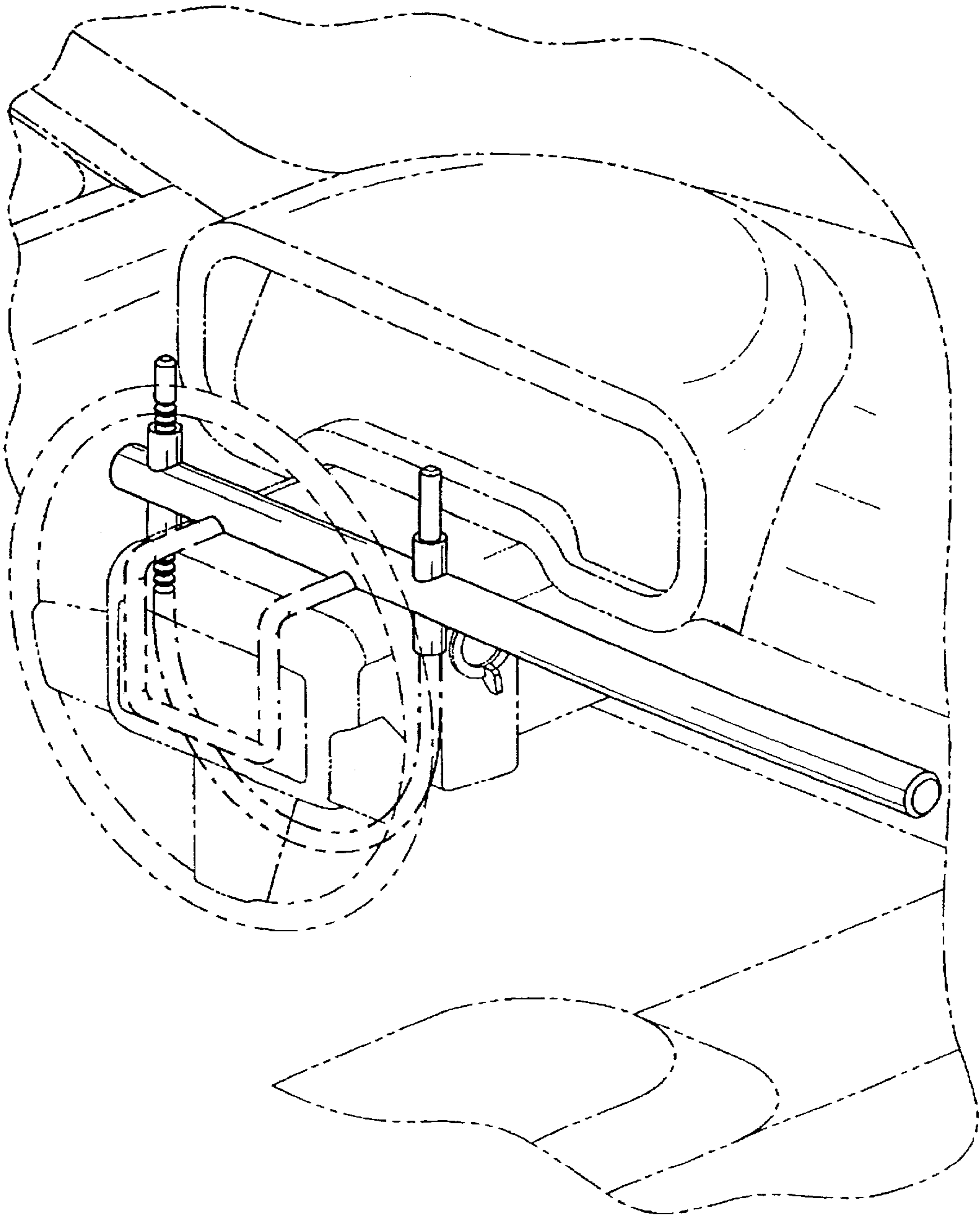


FIG. 9

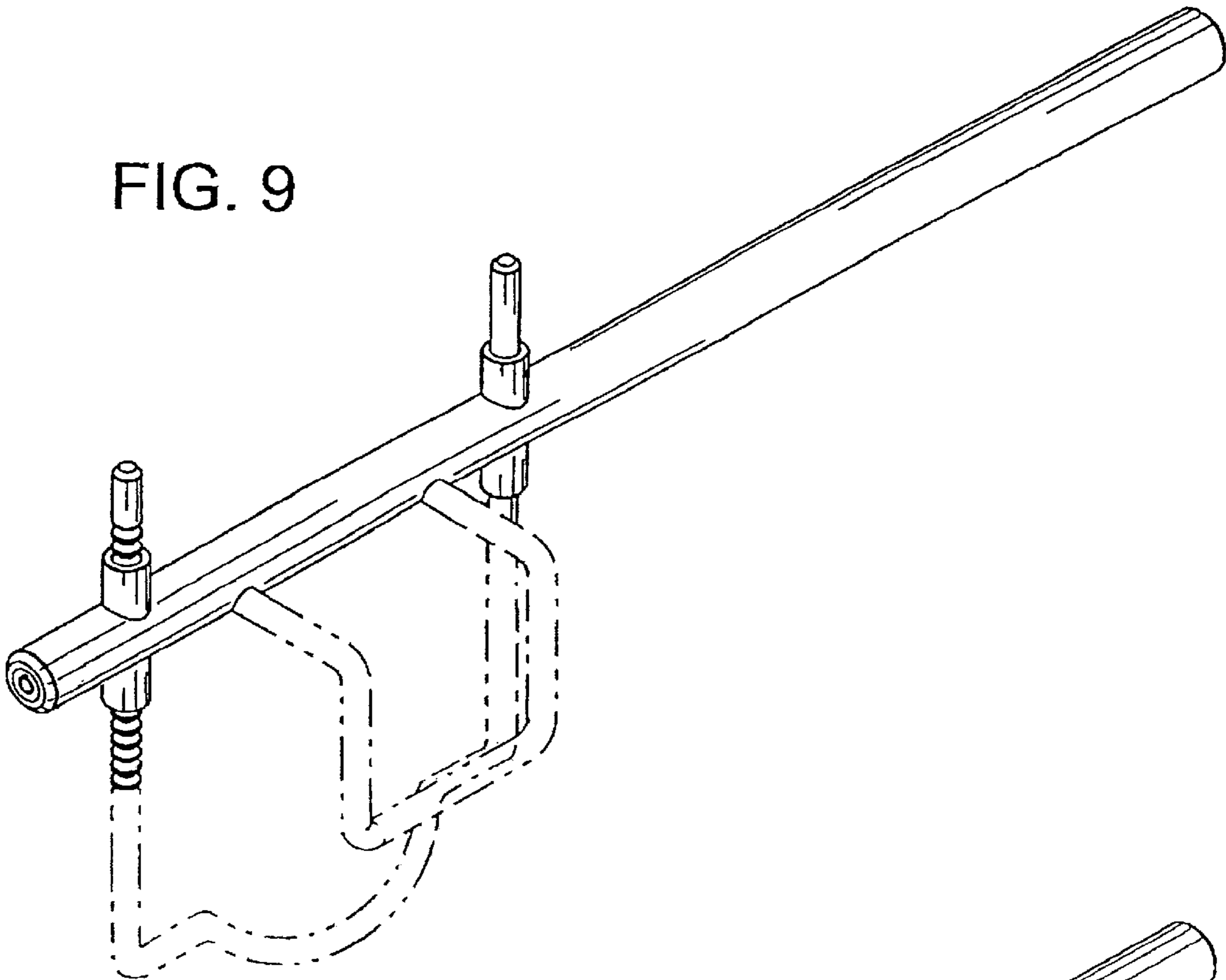


FIG. 10

