



US00D475272S

(12) **United States Design Patent**
Hansen, II et al.

(10) **Patent No.:** **US D475,272 S**

(45) **Date of Patent:** **** Jun. 3, 2003**

(54) **HINGE**

(75) Inventors: **William S. Hansen, II**, Mettawa, IL
(US); **Charles E. Bullock**, Waukegan,
IL (US)

(73) Assignee: **A. L. Hansen Mfg. Co.**, Waukegan, IL
(US)

(**) Term: **14 Years**

(21) Appl. No.: **29/149,367**

(22) Filed: **Oct. 9, 2001**

(51) **LOC (7) Cl.** **08-06**

(52) **U.S. Cl.** **D8/327**

(58) **Field of Search** D8/323-329; 16/250,
16/251, 223, 380, 387, 386, 391, 392

(56) **References Cited**

U.S. PATENT DOCUMENTS

106,315 A	8/1870	Browne	
1,537,562 A	5/1925	Stock	
1,832,902 A	* 11/1931	Holbrook	16/392
2,131,802 A	10/1938	Harmon	
2,169,059 A	* 8/1939	Soss et al.	16/251
2,488,882 A	11/1949	Shealey	
3,276,069 A	* 10/1966	Rothmund	16/386
3,842,463 A	10/1974	Wehner	
3,952,369 A	4/1976	Erickson	
3,979,148 A	9/1976	Martin	
4,123,822 A	11/1978	Bentley	
D278,309 S	4/1985	Vickers	
4,630,333 A	12/1986	Vickers	
4,688,305 A	8/1987	Mac Kirdy	
4,761,852 A	* 8/1988	Sauber	16/380
4,979,264 A	12/1990	Ramsauer	
4,984,333 A	1/1991	Karpisek	
5,007,134 A	4/1991	Stanford	

5,038,437 A	8/1991	Russel et al.	
5,265,310 A	11/1993	Ichinokawa	
6,401,298 B1	* 6/2002	Lenz	16/335

OTHER PUBLICATIONS

Photographs of hinges on rear glass of Ford Explorer and Jeep Cherokee SUVs (Sep., 2001).
A.L. Hansen Mfg. Co., Engineering Drawings S5NBXXFSBP01 and S3NB108SEP01, (Dec. 2000 and Jan. 1994).

* cited by examiner

Primary Examiner—Louis S. Zarfaz

Assistant Examiner—Deanne Levy

(74) *Attorney, Agent, or Firm*—Brinks Hofer Gilson & Lione

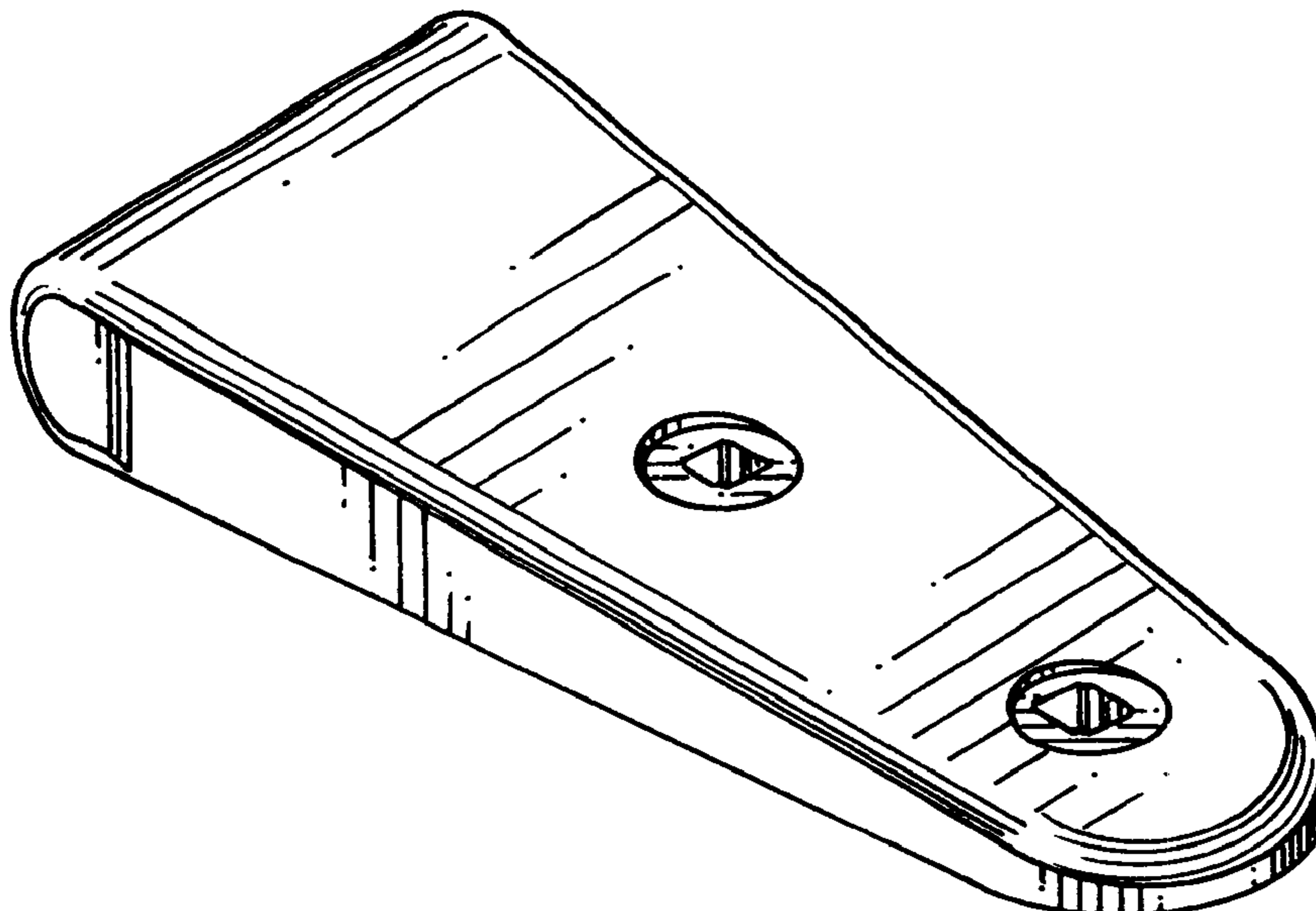
(57) **CLAIM**

The ornamental design for hinge, as shown and described.

DESCRIPTION

FIG. 1 is a top front perspective view of a hinge incorporating our new design;
FIG. 2 is a top rear perspective view thereof;
FIG. 3 is a top view thereof;
FIG. 4 is a left side view thereof;
FIG. 5 is a bottom view thereof;
FIG. 6 is a rear view thereof;
FIG. 7 is a front view thereof;
FIG. 8 is a front bottom perspective view thereof, showing the hinge in a closed position; and,
FIG. 9 is a front bottom perspective view thereof, showing the hinge in a partially opened position.
The right side view of the hinge of FIG. 1 corresponds to the left side view of FIG. 4.

1 Claim, 2 Drawing Sheets



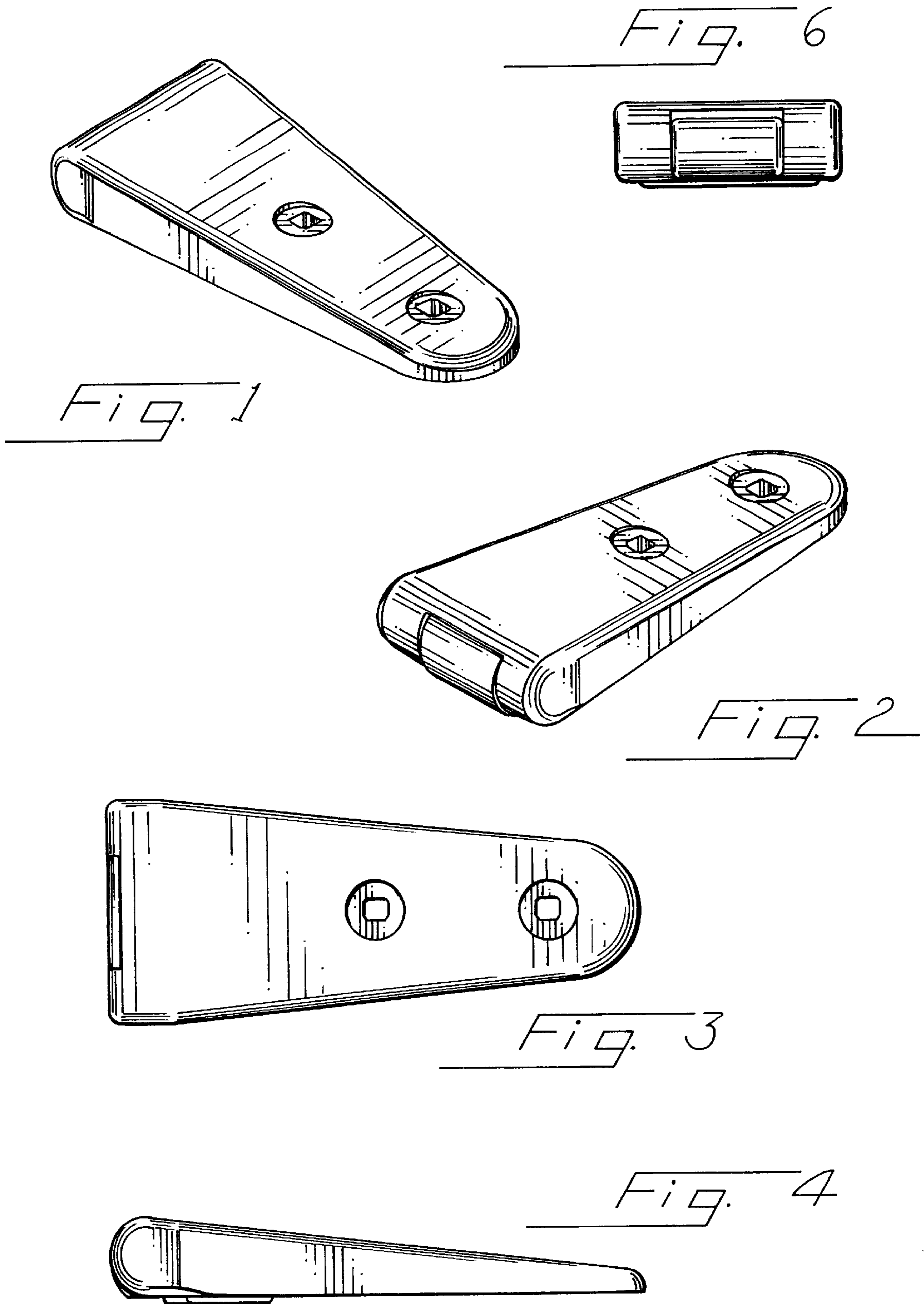


Fig. 5

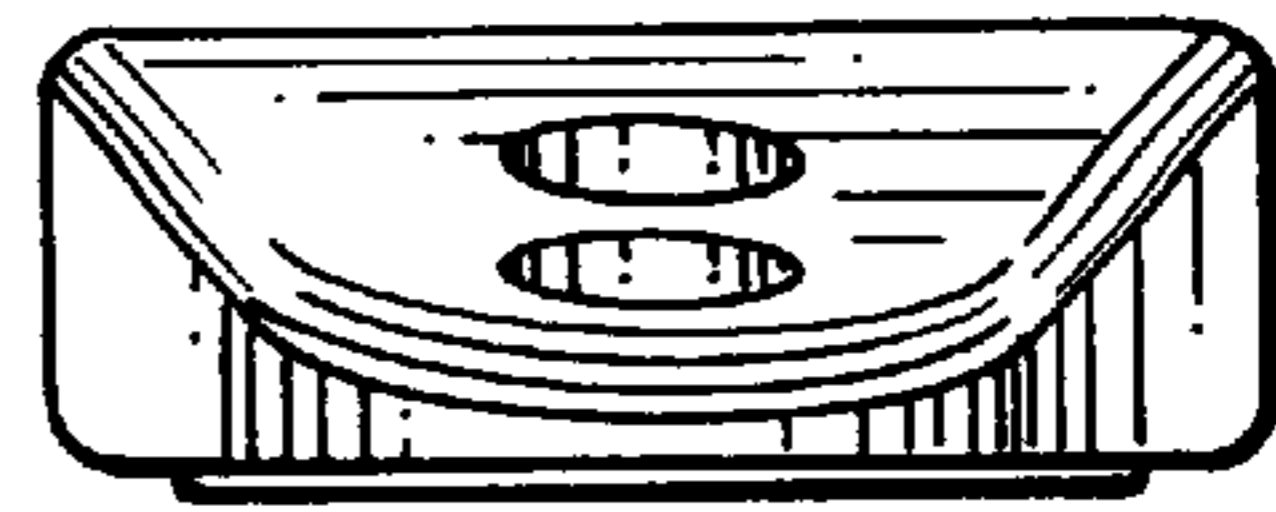
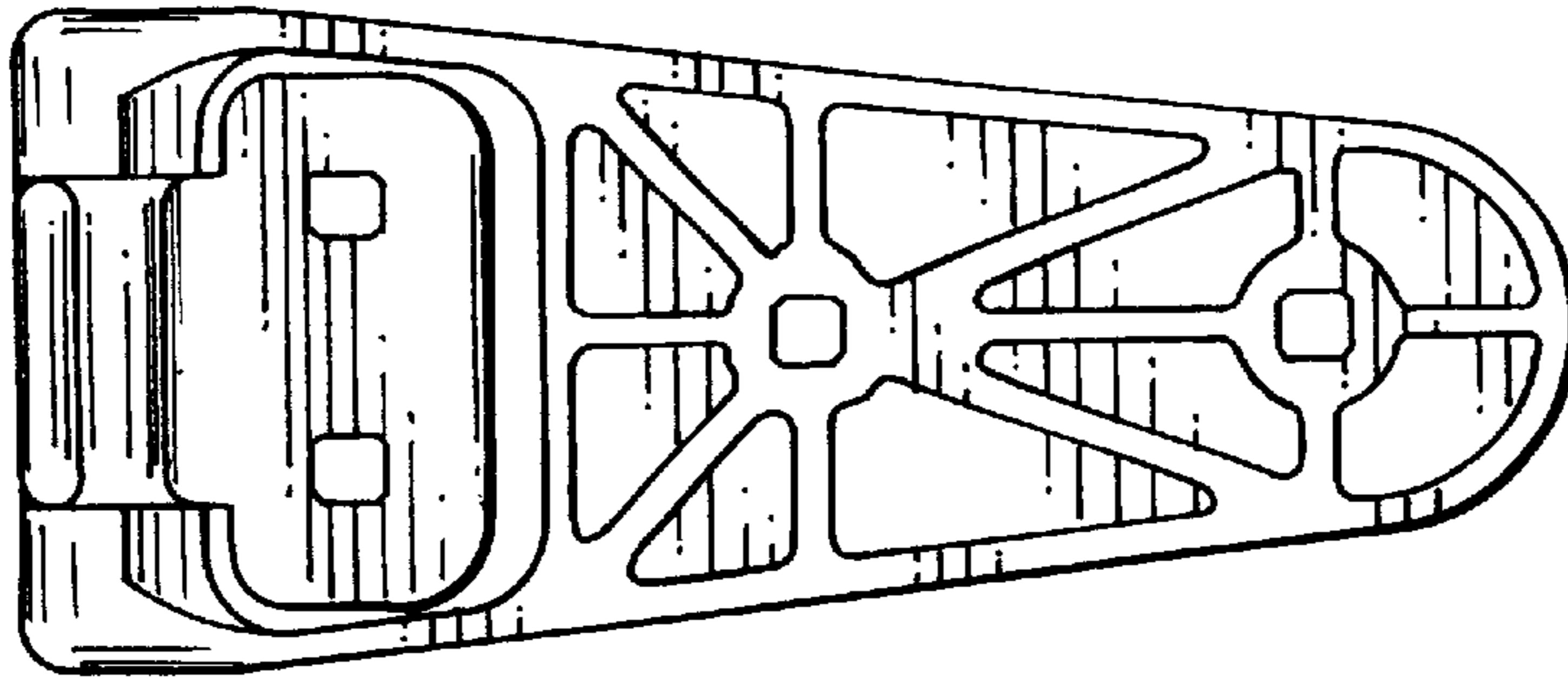


Fig. 7

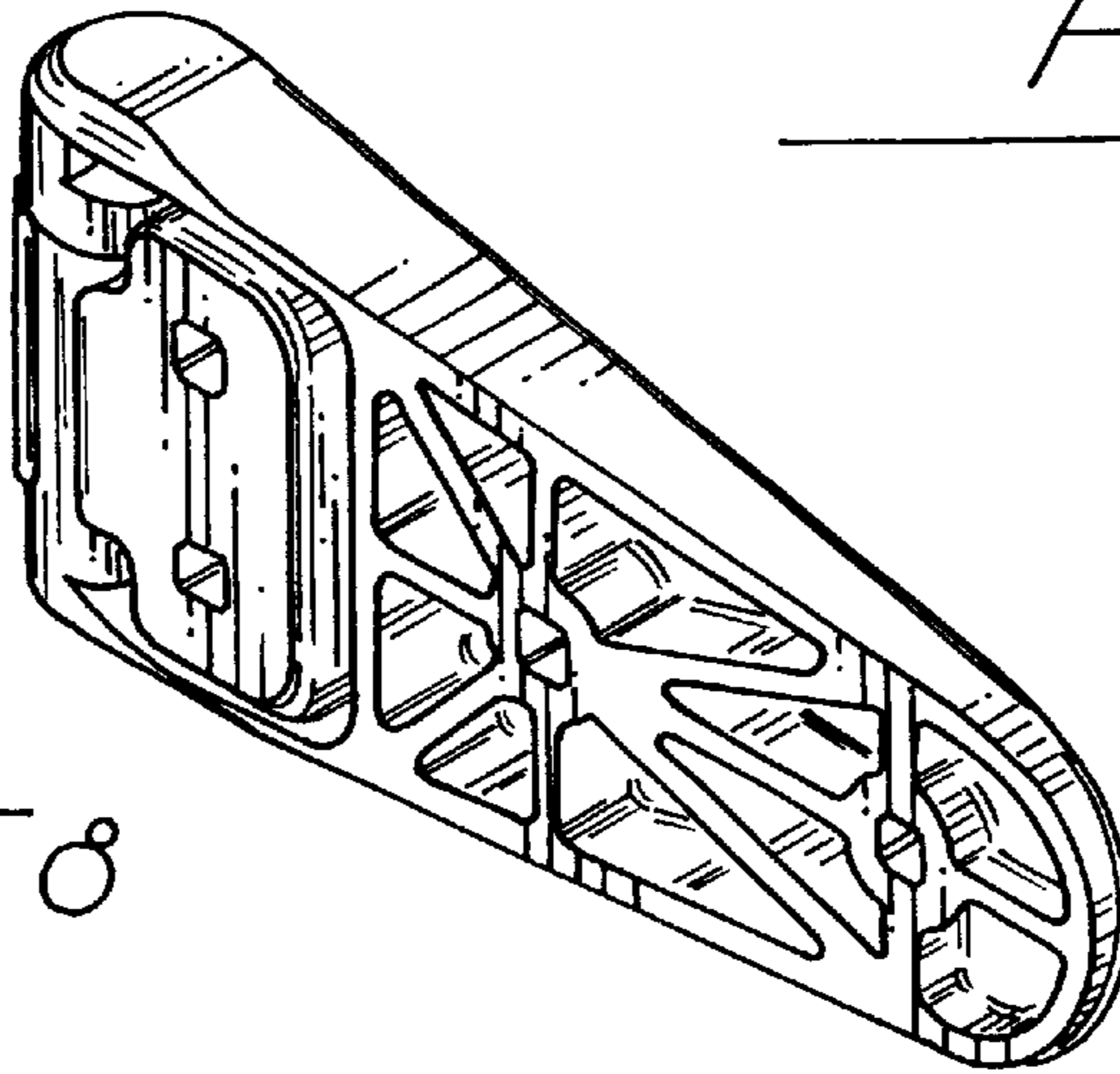


Fig. 8

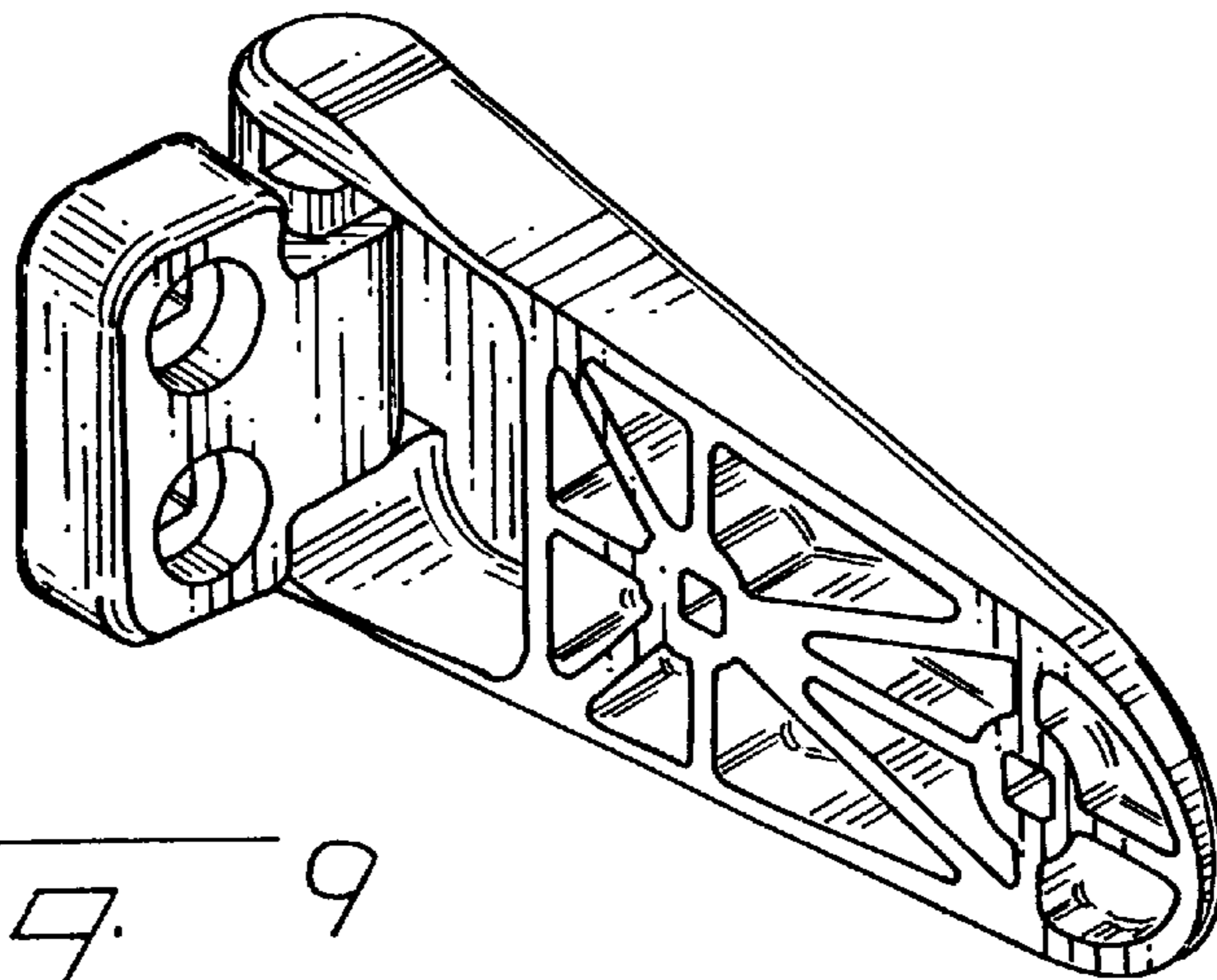


Fig. 9