



US00D475271S

(12) **United States Design Patent**
Hannon et al.

(10) **Patent No.:** **US D475,271 S**

(45) **Date of Patent:** **** Jun. 3, 2003**

(54) **HINGE PIN**
(75) Inventors: **Kevin Michael Hannon**, Blaxland (AU); **Philip Duncan Loader**, Kearns (AU)

JP 08-299094 11/1996
JP 11-123125 5/1999
JP 11-178669 7/1999
JP 11-225843 8/1999

* cited by examiner

(73) Assignee: **Viscount Plastics (NSW) Ltd.** (AU)
(**) Term: **14 Years**

Primary Examiner—Louis S. Zarfes
Assistant Examiner—Deanne Levy
(74) *Attorney, Agent, or Firm*—Jeffrey L. Costellia; Nixon Peabody LLP

(21) Appl. No.: **29/156,848**
(22) Filed: **Mar. 11, 2002**

(57) **CLAIM**

The ornamental design for a hinge pin, as shown and described.

(30) **Foreign Application Priority Data**
Sep. 11, 2001 (AU) 2864/2001

DESCRIPTION

(51) **LOC (7) Cl.** **08-06**
(52) **U.S. Cl.** **D8/323**
(58) **Field of Search** D8/323-329; 16/2.1, 16/260-263, 254, 379-381, 356, 386, 229; 403/154, 224, 161

FIG. 1 is a perspective view of a hinge pin assembly in a fully assembled condition, showing our new design;
FIG. 2 is a front view of the fully assembled hinge pin assembly of FIG. 1, the rear, top, and bottom views being the same;
FIG. 3 is a left side view of the fully assembled hinge pin assembly of FIG. 1;
FIG. 4 is a right side view of the fully assembled hinge pin assembly of FIG. 1;
FIG. 5 is a front perspective exploded view of the hinge pin assembly of FIG. 1 in an un-assembled condition;
FIG. 6 is an enlarged front view of the pin-portion of the hinge pin assembly of FIG. 5, shown separately for clarity;
FIG. 7 is a left side view of the pin of FIG. 6;
FIG. 8 is a right side view of the pin of FIG. 6;
FIG. 9 is an enlarged front view of the bushing portion of the hinge pin assembly of FIG. 5, shown separately for clarity;
FIG. 10 is a left side view of the bushing of FIG. 9; and, FIG. 11 is a right side view of the bushing of FIG. 9.

(56) **References Cited**
U.S. PATENT DOCUMENTS
1,175,550 A * 3/1916 Murray 16/380
3,013,297 A * 12/1961 Ferry 16/381
4,573,239 A * 3/1986 Valenti et al. 16/380
4,793,021 A * 12/1988 Deasy et al. 16/386
4,847,950 A * 7/1989 Coleman 16/386
5,577,295 A * 11/1996 Papke et al. 16/254
5,666,695 A * 9/1997 Jegers et al. 16/381
5,791,018 A * 8/1998 Yoshinobu 16/374
5,884,365 A * 3/1999 Kluting 16/262
6,178,599 B1 * 1/2001 Worden et al. 16/263

FOREIGN PATENT DOCUMENTS
DE 200 07 090 6/2000

1 Claim, 2 Drawing Sheets

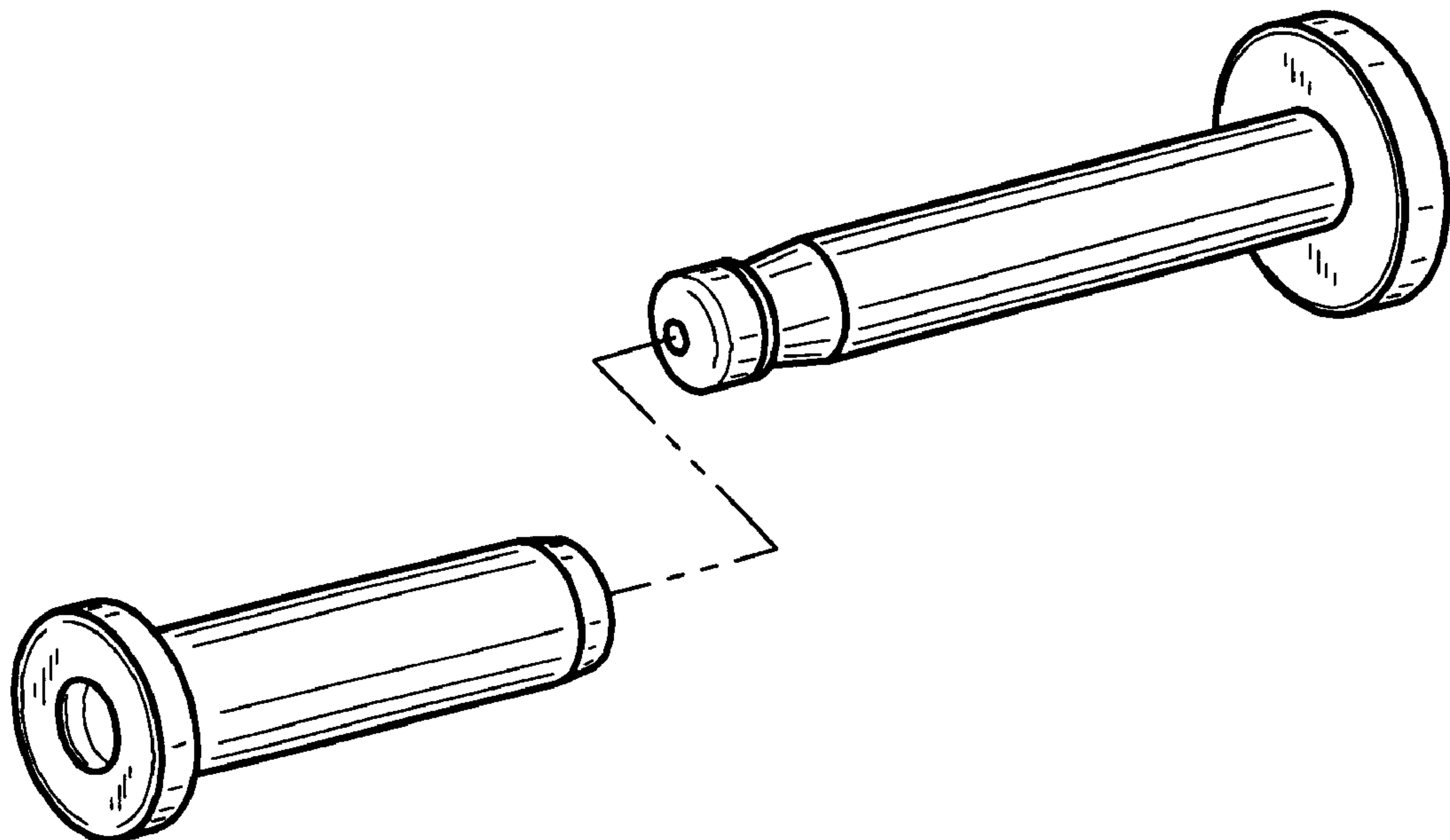


FIG. 1

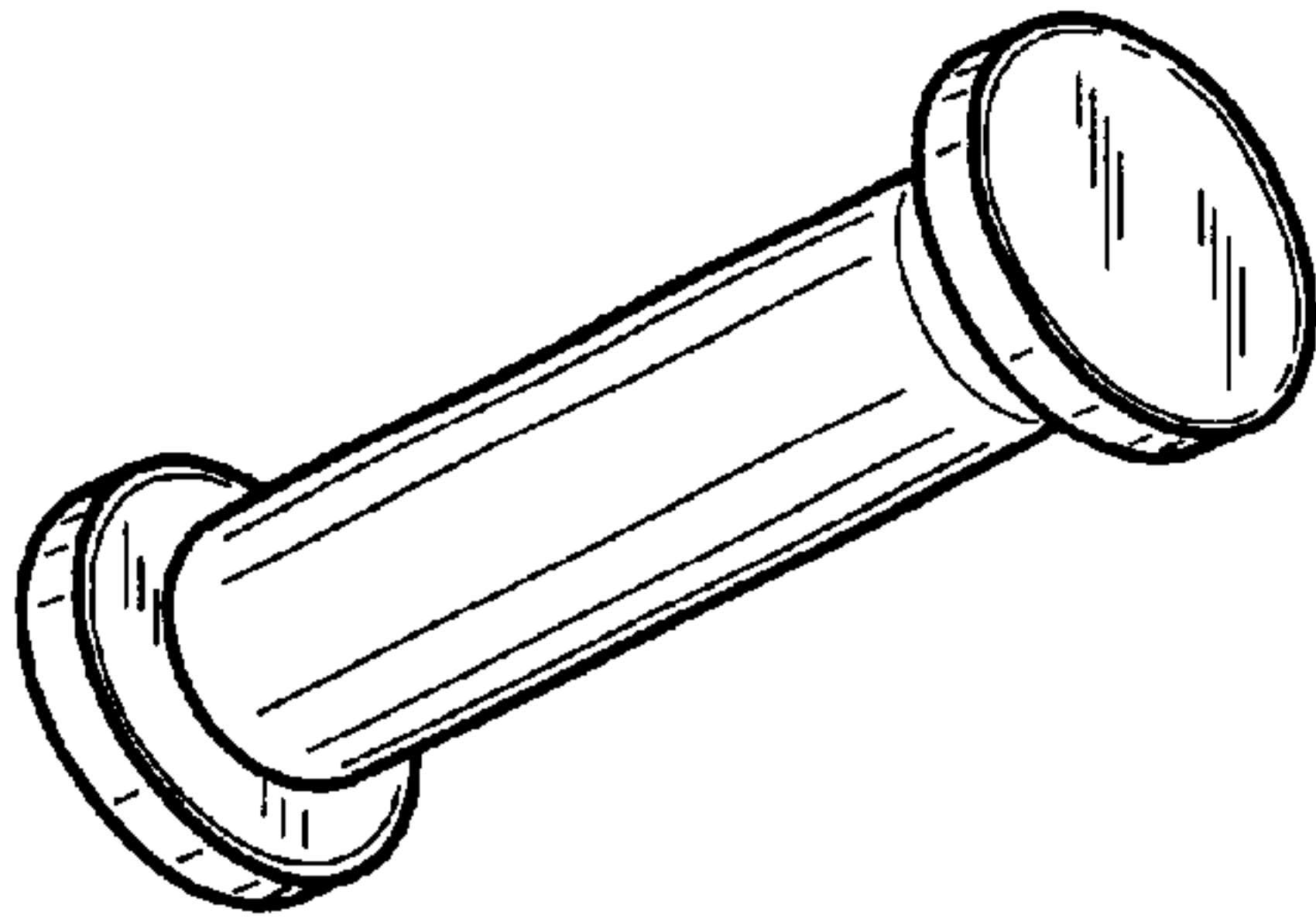


FIG. 2

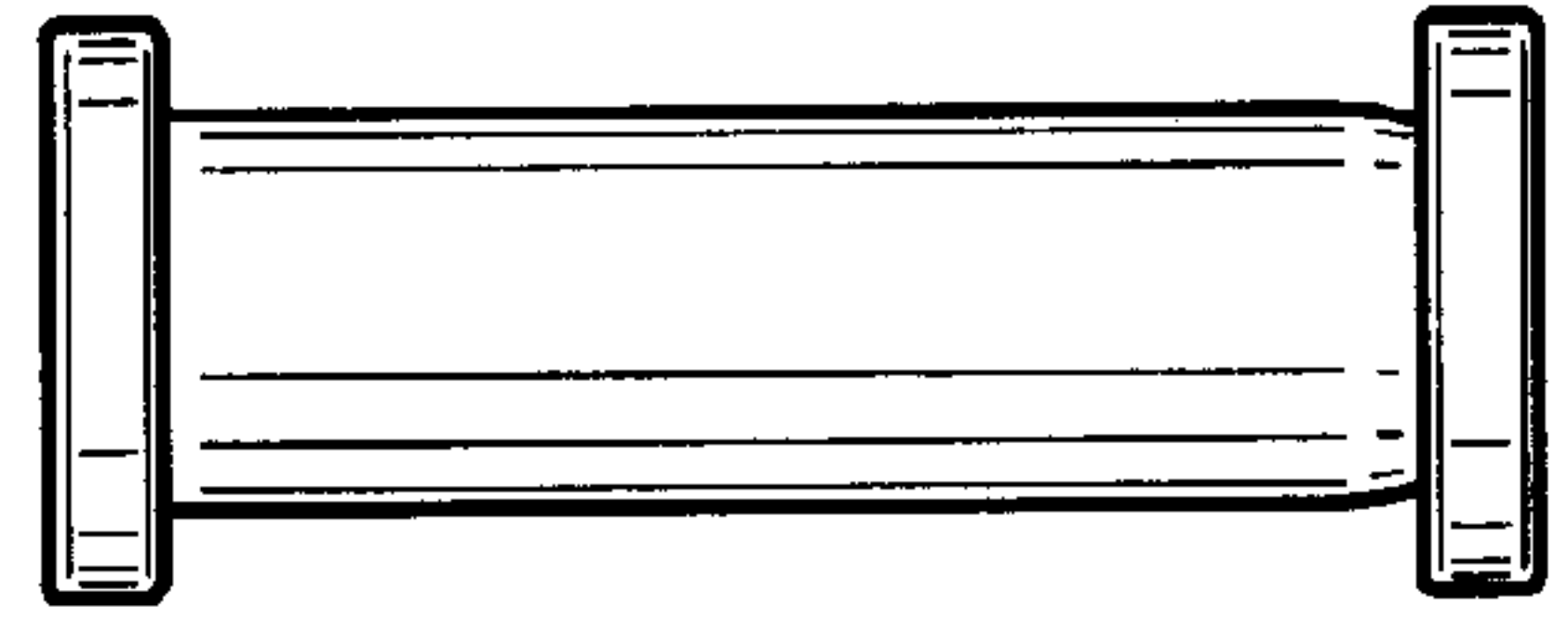


FIG. 3

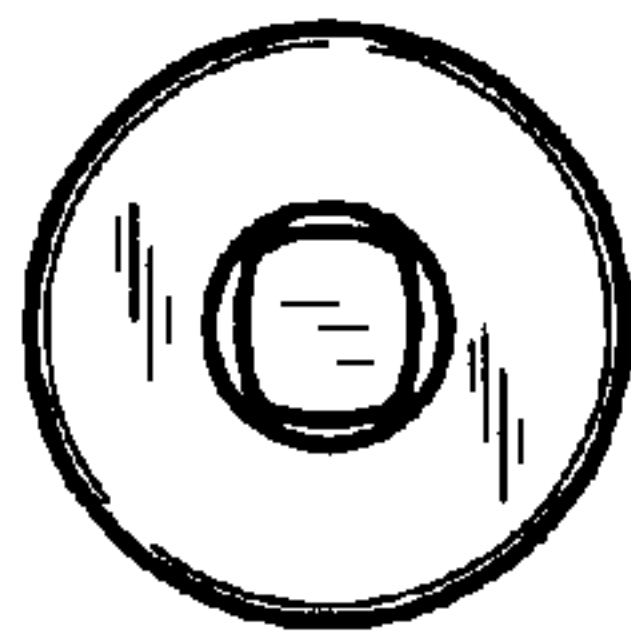


FIG. 4

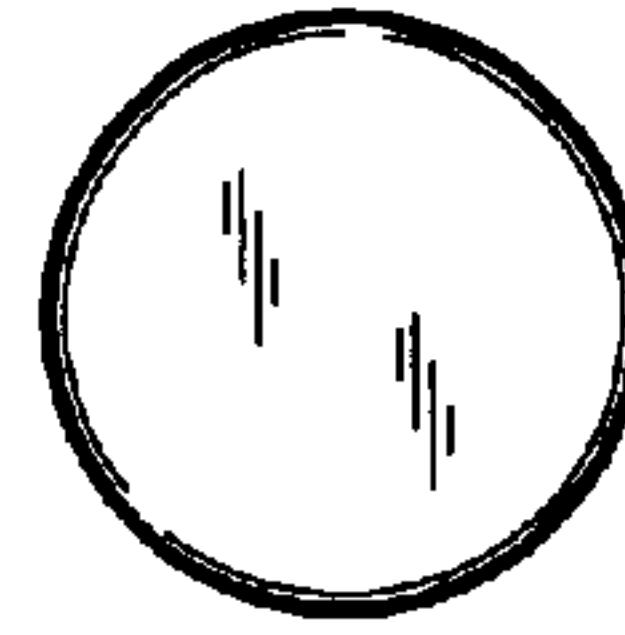


FIG. 5

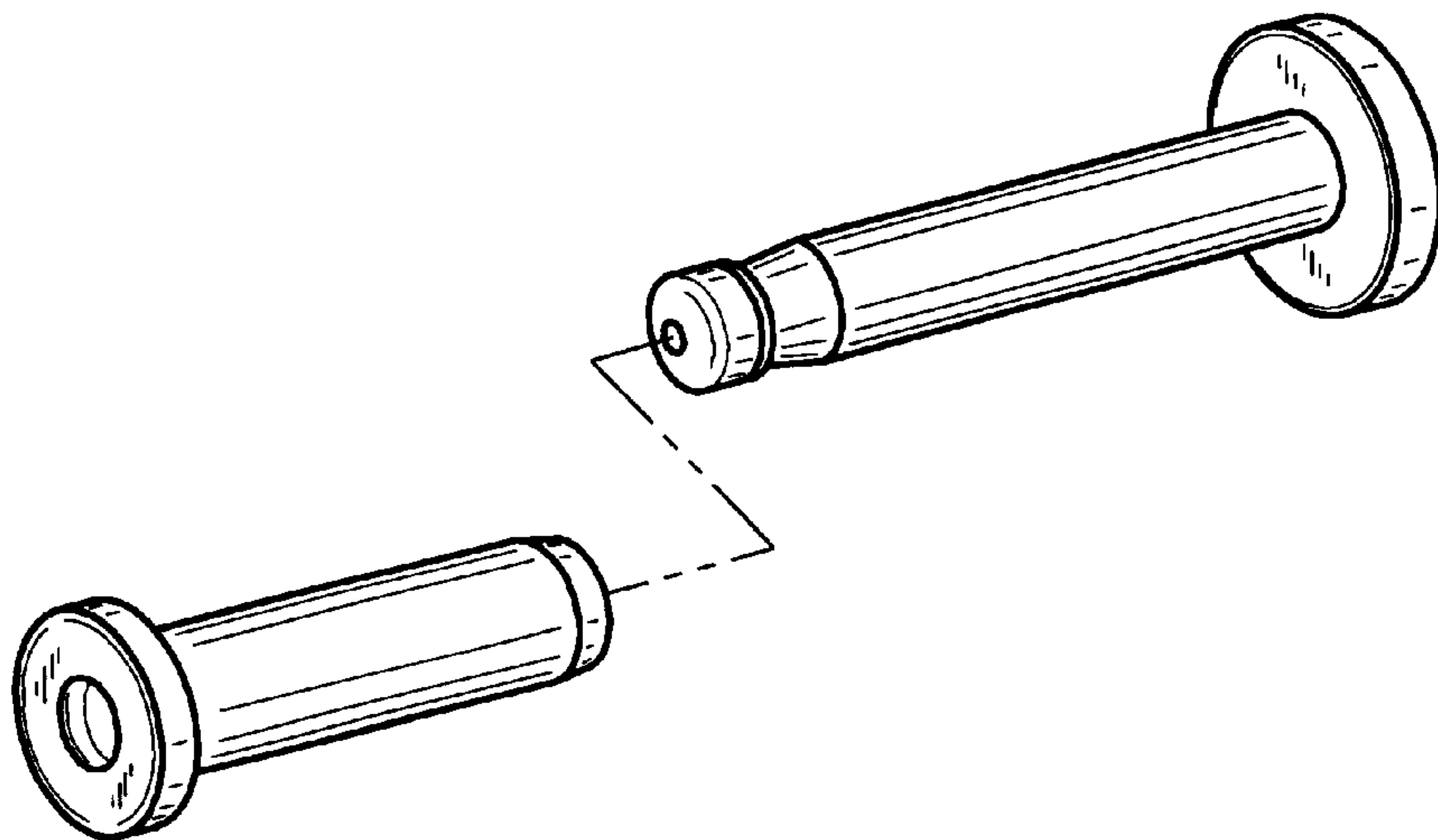


FIG. 6

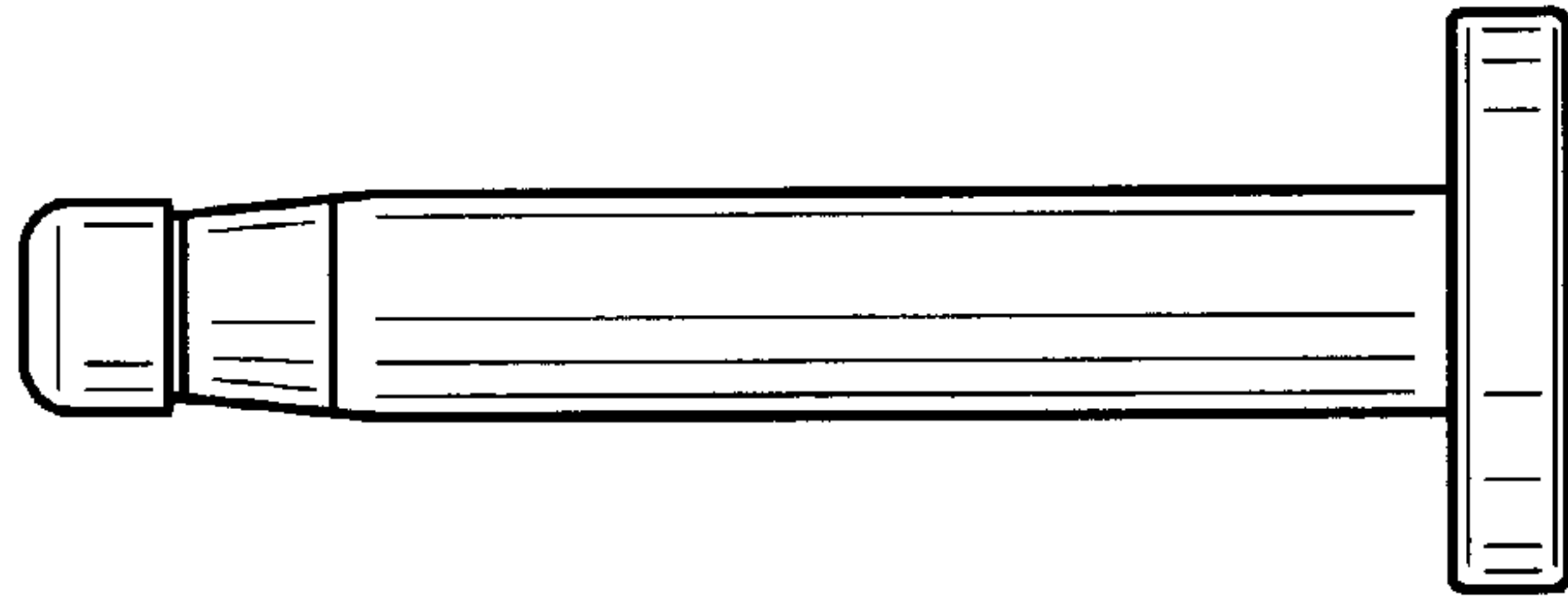


FIG. 7

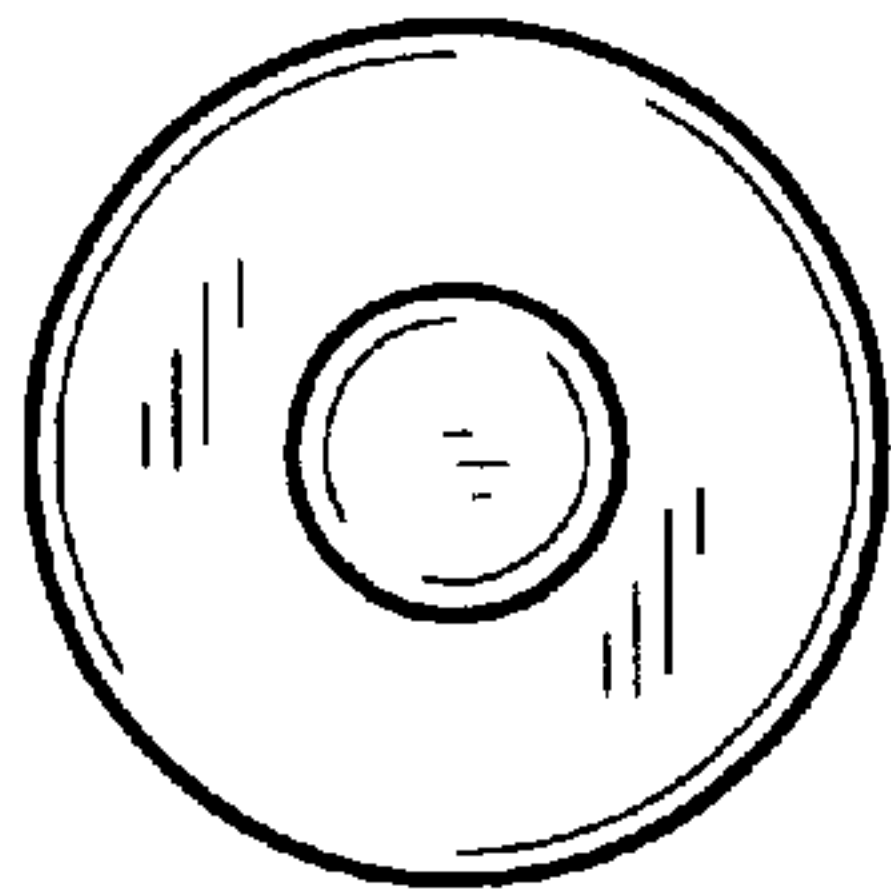


FIG. 8

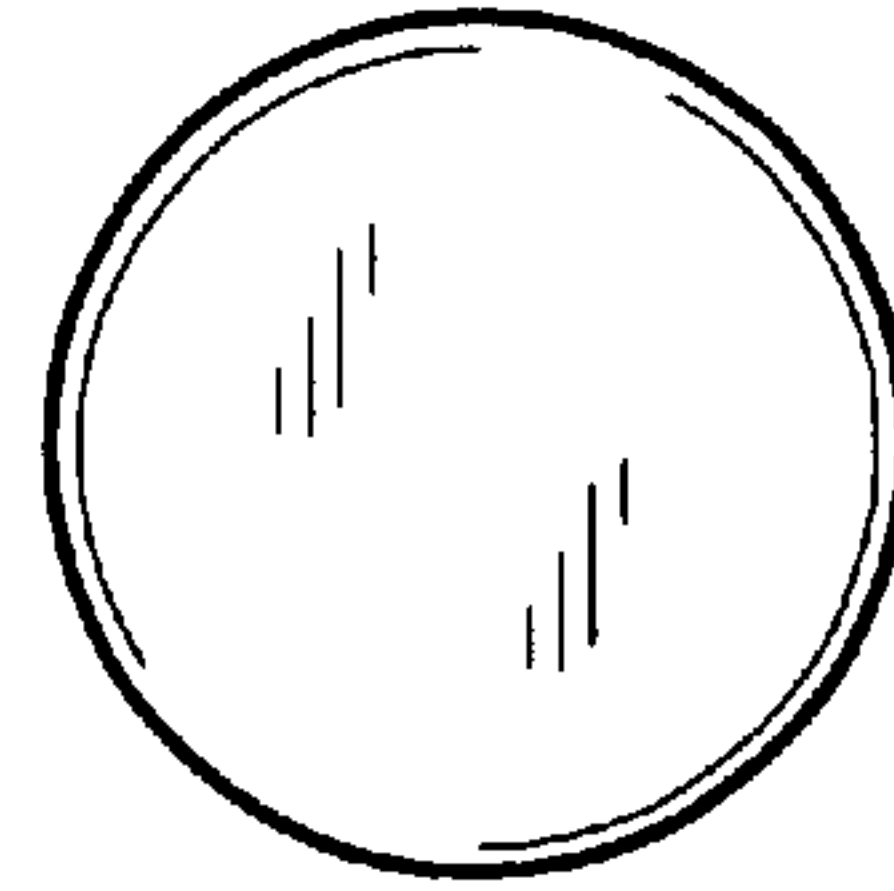


FIG. 9

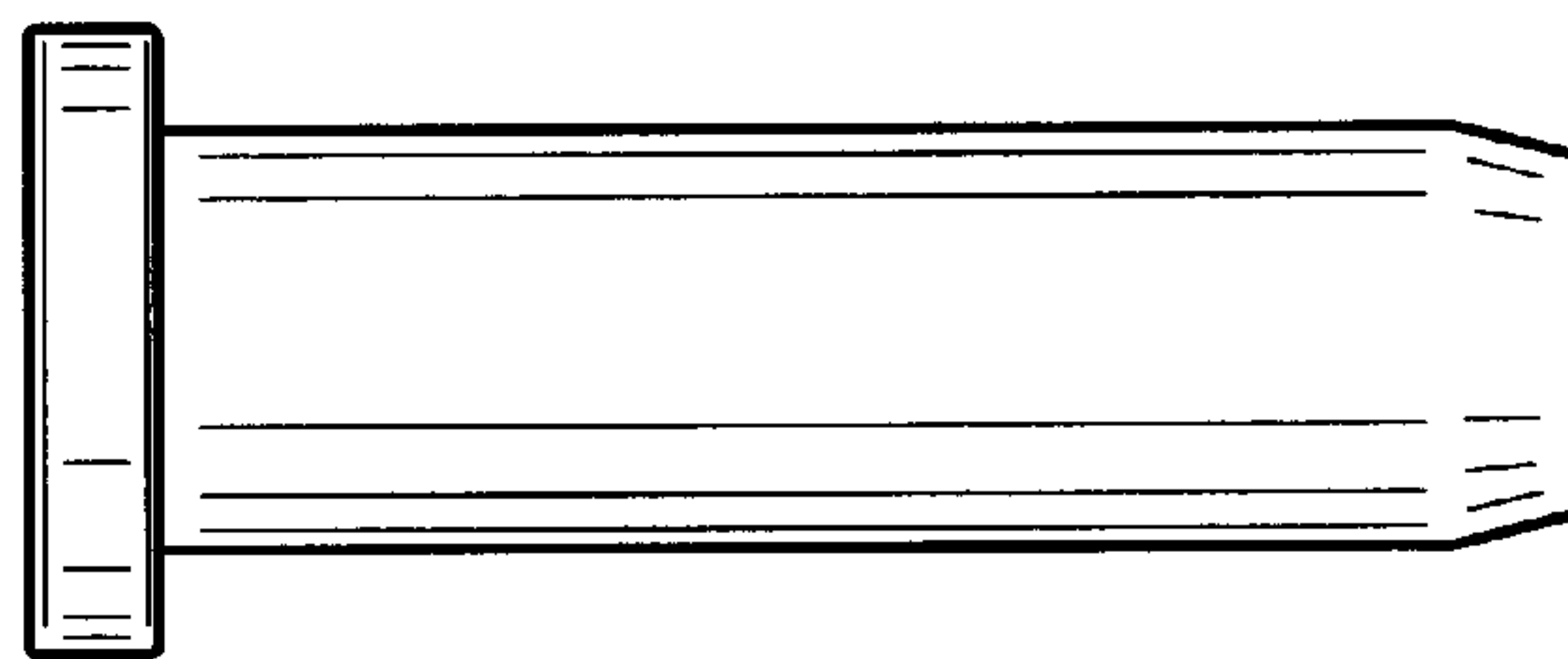


FIG. 10

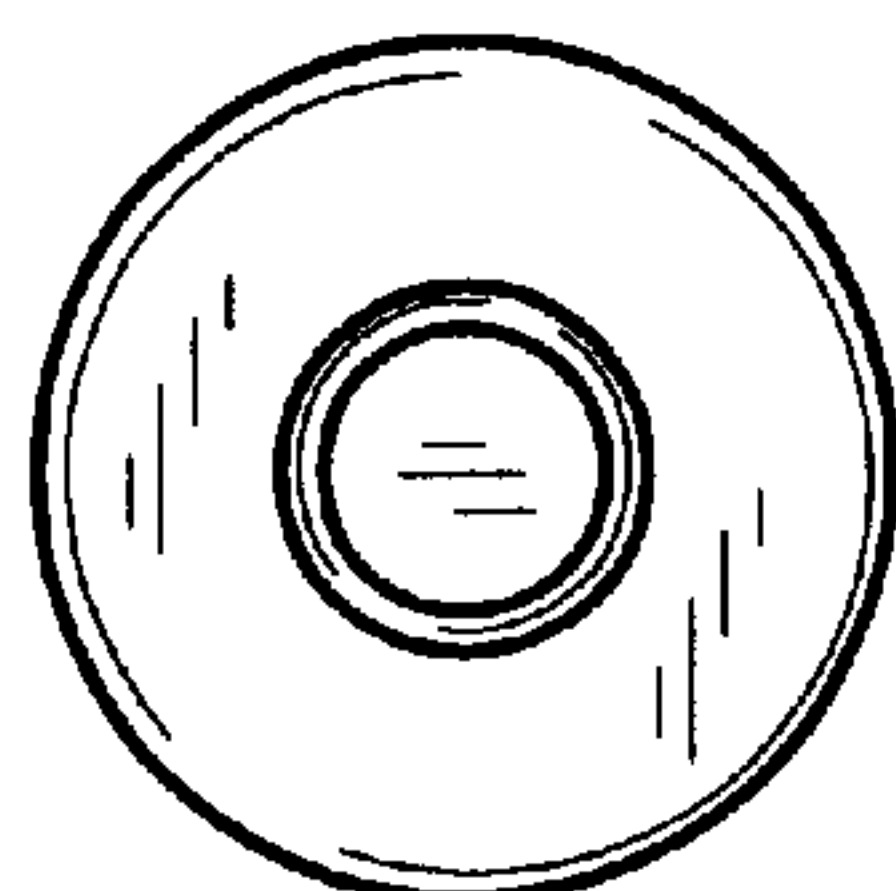


FIG. 11

